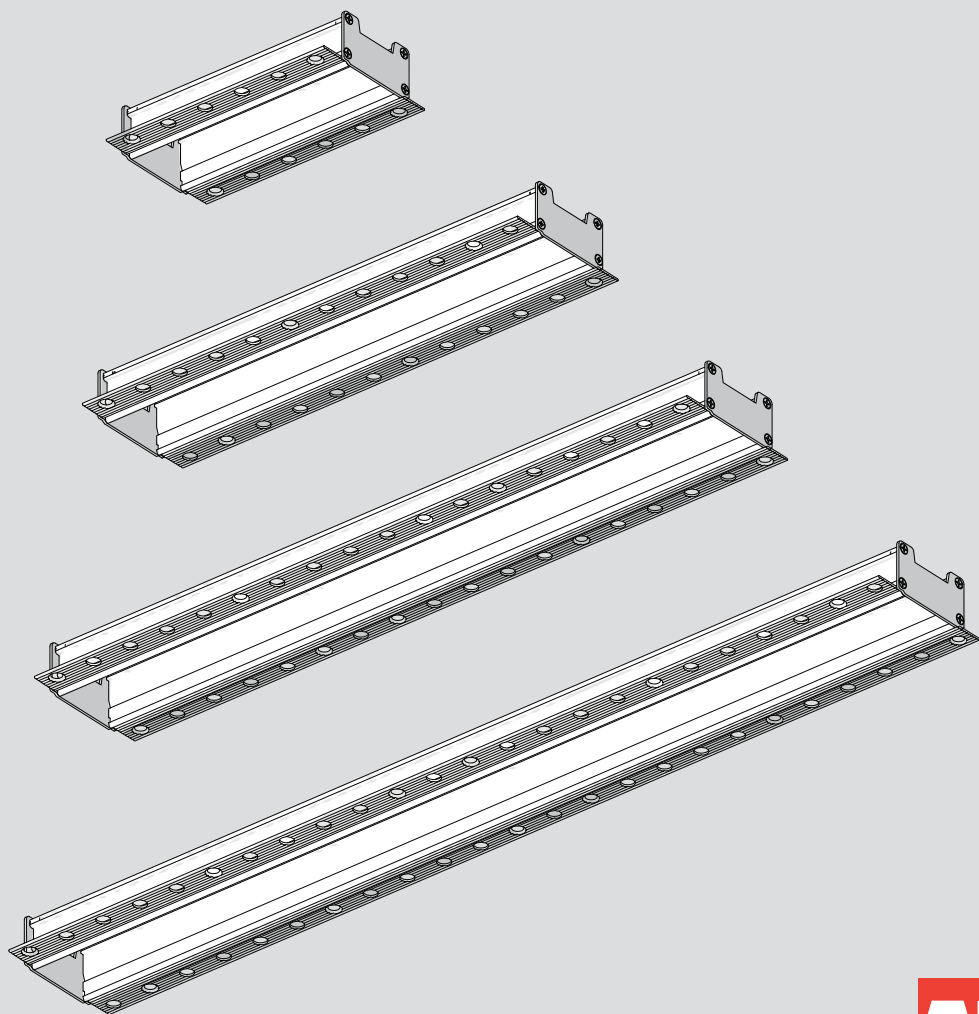
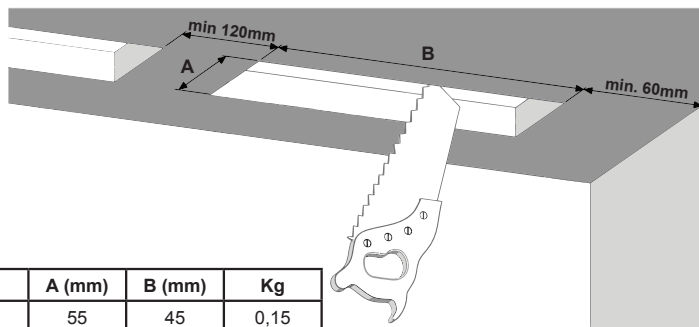


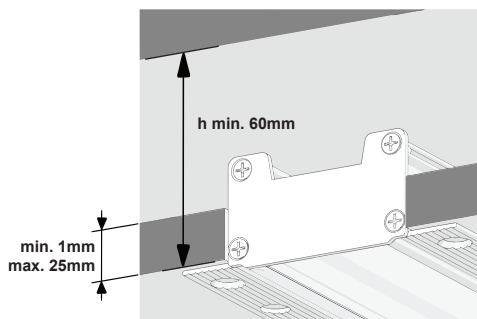
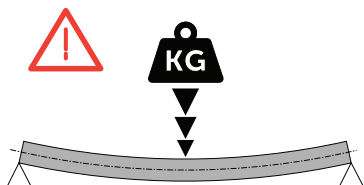
Sharp Trimless Frame

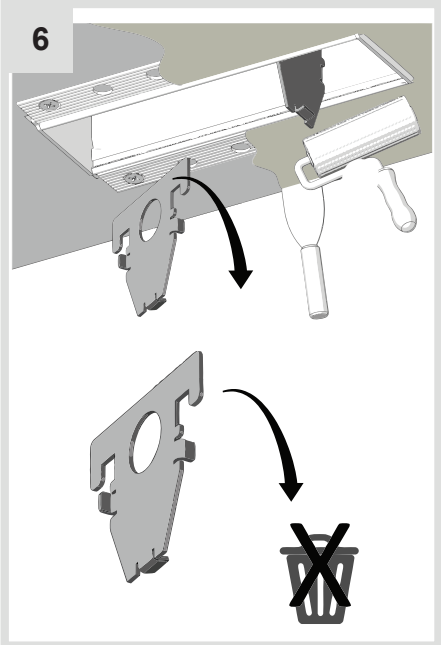
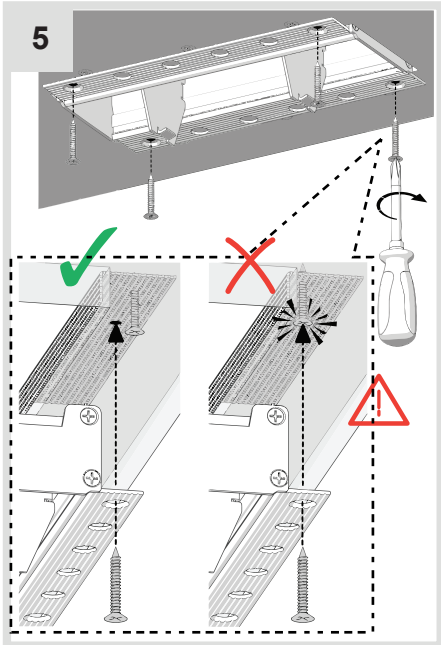
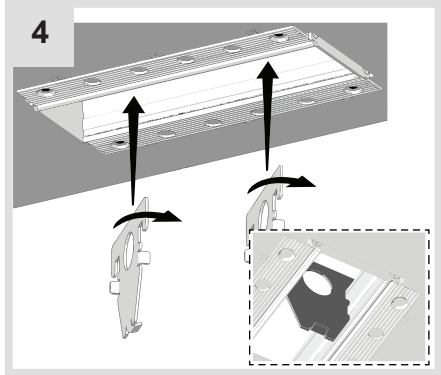
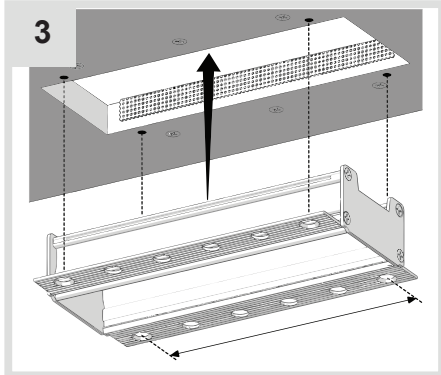
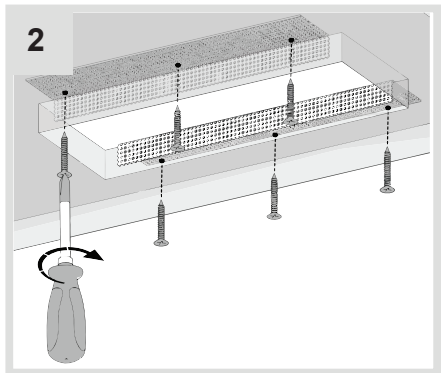
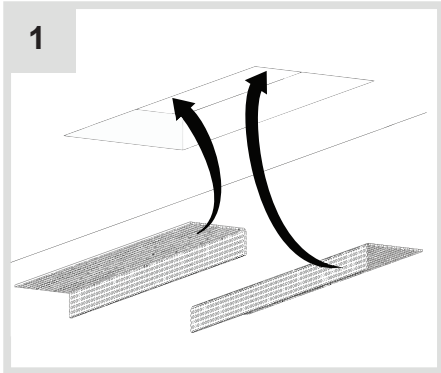
design
Carlotta De Bevilacqua





	A (mm)	B (mm)	Kg
1X	55	45	0,15
2X	55	80	0,20
4X	55	155	0,35
8X	55	302	0,58
12X	55	450	0,81
16X	55	600	1,04





Artemide[®]
ARCHITECTURAL



Artemide Spa

via Bergamo, 18
20010 Pregnana M.se (MI)
ITALIA

Tel. +39 02 935 181
Fax +39 02 935 90 254
Fax +39 02 935 90 496

www.artemide.com

VAT IT00846890150

cod. Y513000731