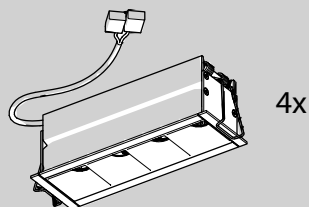
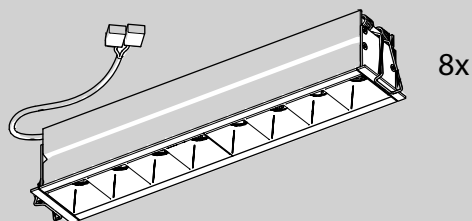


SHARP RECESSED TRIM/TRIMLESS 4x/8x INTEGRALIS®

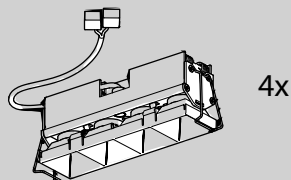
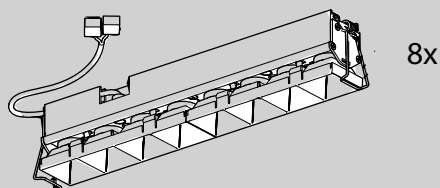
design
C. de Bevilacqua



TRIM



TRIMLESS





NIGHT MODE

Supply current 350mA

LEDX

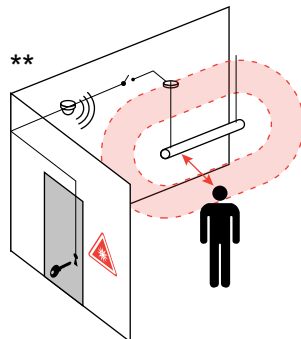
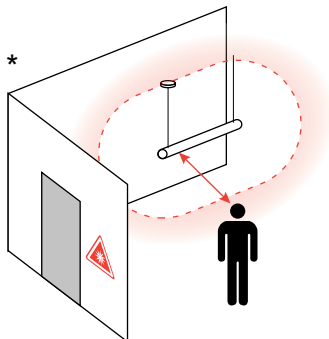
	Artemide INTEGRALIS fixture	SUPPLY CURRENT (I)	d = distance from lighting fixture	IEC 62778	IEC 62471 ACTINIC-UV	IEC 62471 NEAR UV	IEC 62471 BLUE LIGHT	IEC 62471 RETINAL THERMAL	IEC 62471 IR-RADIATION	EN 62471 NEAR UV	Use for work activities compatibility according to the standard EN 12464-1	EU DIRECTIVE 2006/25/EC time to reach allowed DOS	EN 62031	HUMAN PRESENCE
FLOOD (2x 10°)	NIGHT MODE* **	350mA	0,7 < d ≤ 3,5 m	LED2	R ₀	R ₀	R ₂	R ₀	R ₀	>R ₀	✗	t _{max (0,7m)} = 17' t _{max (3,5m)} = 7h10'	✗	NOT ALLOWED
	NIGHT MODE* **	350mA	3,5 < d ≤ 4,7 m	LED1	R ₀	R ₀	R ₁	R ₀	R ₀	>R ₀	✗	t _{max (3,5m)} = 7h10' t _{max (4,7m)} = 8h	✗	NOT ALLOWED
	NIGHT MODE*	350mA	d > 4,7 m	LED1	R ₀	R ₀	R ₁	R ₀	R ₀	R ₀	✗	t _{max (4,7m)} = 8h	✗	NOT ALLOWED
WIDE FLOOD (2x 20°)	NIGHT MODE* **	350mA	0,7 < d ≤ 3,04 m	LED2	R ₀	R ₀	R ₂	R ₀	R ₀	>R ₀	✗	t _{max (0,7m)} = 20' t _{max (3,04m)} = 6h30'	✗	NOT ALLOWED
	NIGHT MODE* **	350mA	3,04 < d ≤ 3,9 m	LED1	R ₀	R ₀	R ₁	R ₀	R ₀	>R ₀	✗	t _{max (3,04m)} = 6h30' t _{max (3,9m)} = 8h	✗	NOT ALLOWED
	NIGHT MODE*	350mA	d > 3,9 m	LED1	R ₀	R ₀	R ₁	R ₀	R ₀	R ₀	✗	t _{max (3,9m)} = 8h	✗	NOT ALLOWED
EXTRA FLOOD (2x 30°)	NIGHT MODE* **	350mA	0,7 < d ≤ 1,6 m	LED2	R ₀	R ₀	R ₂	R ₀	R ₀	>R ₀	✗	t _{max (0,7m)} = 50' t _{max (1,6m)} = 4h40'	✗	NOT ALLOWED
	NIGHT MODE* **	350mA	1,6 < d ≤ 2,4 m	LED1	R ₀	R ₀	R ₁	R ₀	R ₀	>R ₀	✗	t _{max (1,6m)} = 4h40' t _{max (2,4m)} = 8h	✗	NOT ALLOWED
	NIGHT MODE*	350mA	d > 2,4 m	LED1	R ₀	R ₀	R ₁	R ₀	R ₀	R ₀	✗	t _{max (2,4m)} = 8h	✗	NOT ALLOWED

* MICROBIOLOGICAL CONTAINMENT AND ENVIRONMENTAL DISINFECTION AID.

ONLY for professional use - read carefully the product instruction. Installation just only by professional and qualified installers.

** Safety sensors and/or locked ambient required.

Coordination with ambient safety devices and sensors required.





NIGHT MODE

Supply current 700mA

LEDX

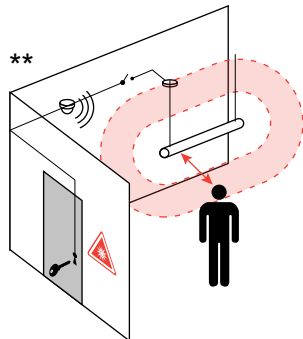
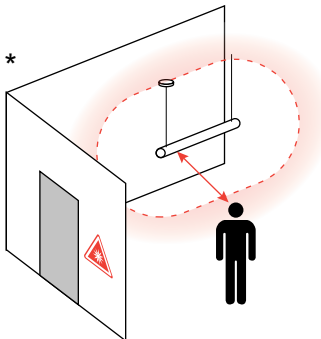
	Air/midie INTEGRALIS fixture	SUPPLY CURRENT (I)	d = distance from lighting fixture	IEC 62778	IEC 62471 ACTINIC-UV	IEC 62471 NEAR UV	IEC 62471 BLUE LIGHT	IEC 62471 RETINAL THERMAL	IEC 62471 IR-RADIATION	EN 62471 NEAR UV	Use for work activities compatibility according to the standard EN 12464-1	EU DIRECTIVE 2006/25/EC time to reach allowed DGS	EN 62031	HUMAN PRESENCE
FLOOD (2x 10°)	NIGHT MODE* **	700mA	0,7 < d ≤ 0,93 m	LED2	R ₀	R ₁	R ₂	R ₀	R ₀	>R ₀	✗	t _{max} (0,7m) = 9' t _{max} (0,93m) = 16'	✗	NOT ALLOWED
	NIGHT MODE* **	700mA	0,93 < d ≤ 4,7 m	LED2	R ₀	R ₀	R ₂	R ₀	R ₀	>R ₀	✗	t _{max} (0,93m) = 16' t _{max} (4,7m) = 7h7'	✗	NOT ALLOWED
	NIGHT MODE* **	700mA	4,7 < d ≤ 6,35 m	LED1	R ₀	R ₀	R ₁	R ₀	R ₀	>R ₀	✗	t _{max} (4,7m) = 7h7' t _{max} (6,35m) = 8h	✗	NOT ALLOWED
	NIGHT MODE*	700mA	d > 6,35 m	LED1	R ₀	R ₀	R ₁	R ₀	R ₀	R ₀	✗	t _{max} (6,35m) = 8h	✗	NOT ALLOWED
WIDE FLOOD (2x 20°)	NIGHT MODE* **	700mA	0,7 < d ≤ 0,9 m	LED2	R ₀	R ₁	R ₂	R ₀	R ₀	>R ₀	✗	t _{max} (0,7m) = 11' t _{max} (0,9m) = 16'	✗	NOT ALLOWED
	NIGHT MODE* **	700mA	0,9 < d ≤ 4,11 m	LED2	R ₀	R ₀	R ₂	R ₀	R ₀	>R ₀	✗	t _{max} (0,9m) = 16' t _{max} (4,11m) = 6h28'	✗	NOT ALLOWED
	NIGHT MODE* **	700mA	4,11 < d ≤ 5,3 m	LED1	R ₀	R ₀	R ₁	R ₀	R ₀	>R ₀	✗	t _{max} (4,11m) = 6h28' t _{max} (5,3m) = 8h	✗	NOT ALLOWED
	NIGHT MODE*	700mA	d > 5,3 m	LED1	R ₀	R ₀	R ₁	R ₀	R ₀	R ₀	✗	t _{max} (5,3m) = 8h	✗	NOT ALLOWED
EXTRA FLOOD (2x 30°)	NIGHT MODE* **	700mA	0,7 < d ≤ 2,2 m	LED2	R ₀	R ₀	R ₂	R ₀	R ₀	>R ₀	✗	t _{max} (0,7m) = 24' t _{max} (2,2m) = 4h	✗	NOT ALLOWED
	NIGHT MODE* **	700mA	2,2 < d ≤ 3,5 m	LED1	R ₀	R ₀	R ₁	R ₀	R ₀	>R ₀	✗	t _{max} (2,2m) = 4h t _{max} (3,5m) = 8h	✗	NOT ALLOWED
	NIGHT MODE*	700mA	d > 3,5 m	LED1	R ₀	R ₀	R ₁	R ₀	R ₀	R ₀	✗	t _{max} (3,5m) = 8h	✗	NOT ALLOWED

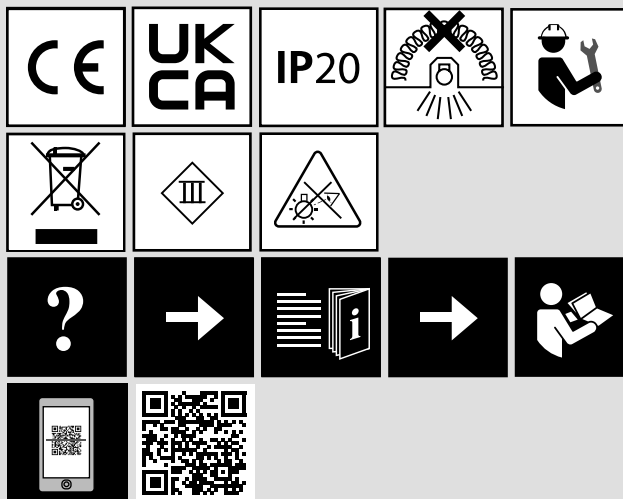
* MICROBIOLOGICAL CONTAINMENT AND ENVIRONMENTAL DISINFECTION AID.

ONLY for professional use - read carefully the product instruction. Installation just only by professional and qualified installers.

** Safety sensors and/or locked ambient required.

Coordination with ambient safety devices and sensors required.





Artemide
INTEGRALIS



see also on
artemide.com

NON ENTRARE O
SOSTARE
NELL'AMBIENTE IN
CASO DI LUCE VIOLA
ACCESA.

DO NOT ENTER OR
STAND IN THE ROOM
WHEN VIOLET LIGHT
IS ON.

NE PAS ENTRER OU
RESTER DANS LA
PIÈCE LORSQUE LA
LUMIÈRE VIOLETTE
EST ALLUMÉE.

NO ENTRE NI
PERMANEZCA EN LA
HABITACIÓN CUANDO LA LUZ
VIOLETA ESTÉ
ENCENDIDA.

BETRETEN SIE DEN
RAUM NICHT UND
HALTEN SIE SICH
NICHT DARIN AUF,
WENN DAS VIOLETTE
LICHT EINGESCHAL-
TET IST.

NON GUARDARE MAI
DIRETTAMENTE LE
SORGENTI SPECIE A
LUCE VIOLA ACCESA.

NEVER STARE
DIRECTLY AT
SOURCES,
ESPECIALLY WHEN
VIOLET LIGHT IS ON.

NE JAMAIS
REGARDER
DIRECTEMENT LES
SOURCES, SURTOUT
LORSQUE LA
LUMIÈRE VIOLETTE
EST ALLUMÉE.

NUNCA MIRE
DIRECTAMENTE A
LAS FUENTES,
ESPECIALMENTE
CUANDO LA LUZ
VIOLETA ESTÁ
ENCENDIDA.

BLICKEN SIE
NIEMALS DIREKT IN
DIE QUELLEN,
INSBESONDERE
WENN DAS VIOLETTE
LICHT EINGESCHAL-
TET IST.

SEGNALARE
EVENTUALI
MALUNZIONAMENTI
AL RESPONSABILE
TECNICO ED AL
GESTORE
DELL'AMBIENTE.

REPORT ANY
MALFUNCTIONS TO
THE TECHNICAL
SUPERVISOR AND
THE ENVIRONMENT
MANAGER.

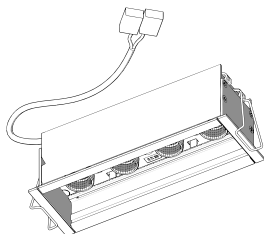
SIGNALER TOUT
DYSFONCTIONNE-
MENT AU
RESPONSABLE
TECHNIQUE ET AU
RESPONSABLE DE
L'ENVIRONNEMENT.

INFORMAR DE
CUALQUIER MAL
FUNCIONAMIENTO AL
RESPONSABLE
TÉCNICO Y AL
RESPONSABLE DE
MEDIO AMBIENTE.

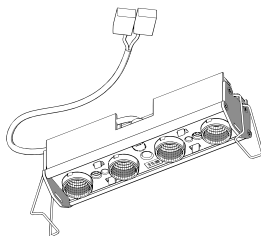
MELDEN SIE
STÖRUNGEN AN DEN
TECHNISCHEN
LEITER UND AN DEN
UMWELTMANAGER.



TRIM



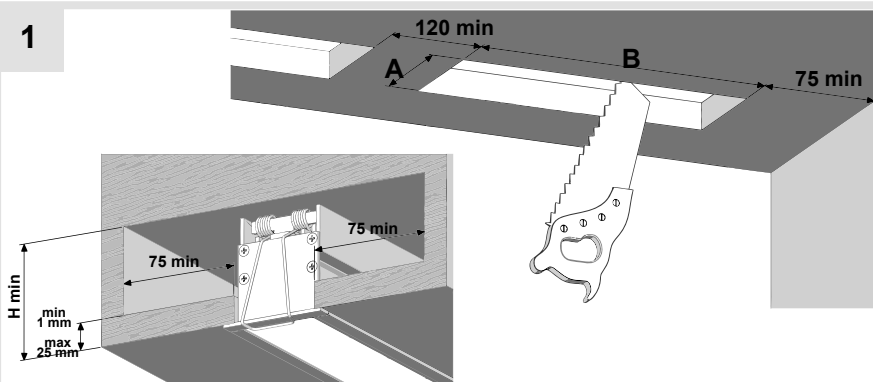
TRIMLESS



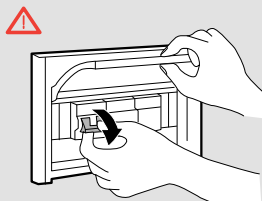
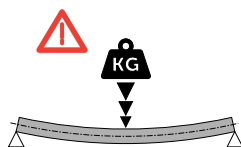


SHARP TRIM

1

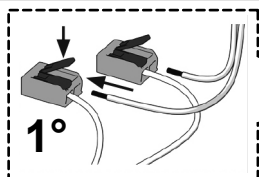


	A (mm)	B (mm)	H (mm)	H (mm)	Kg
4X	46	155	80	60	0,3
8X	46	302	60	80	0,6

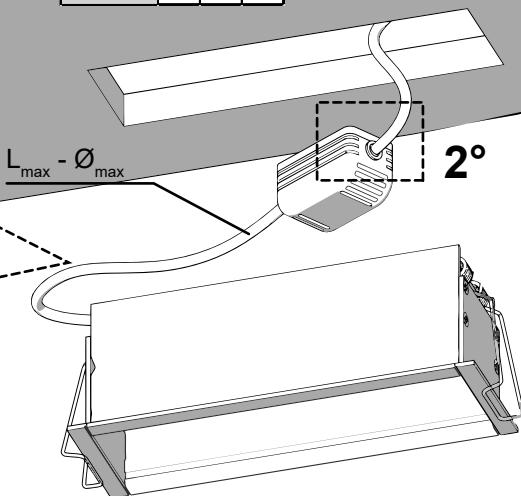
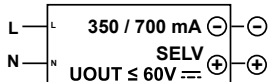


2

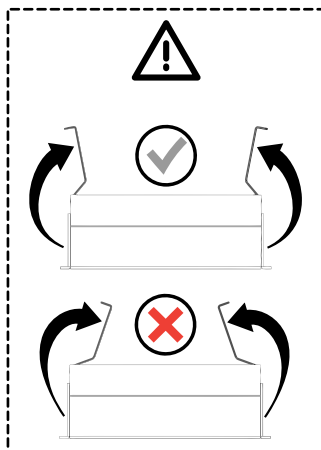
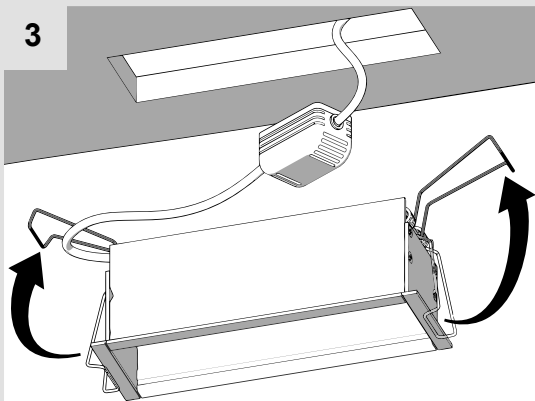
L_{max} [m]	10	20	50
\varnothing_{max} [mm ²]	0,50	1,00	2,50



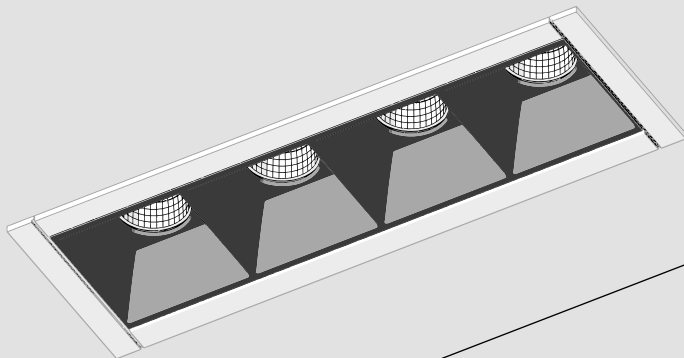
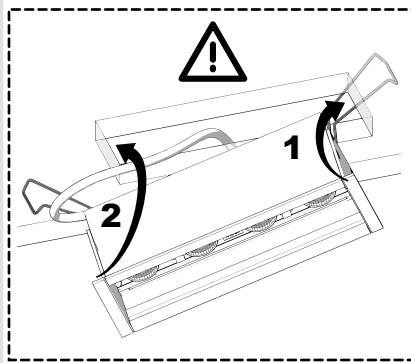
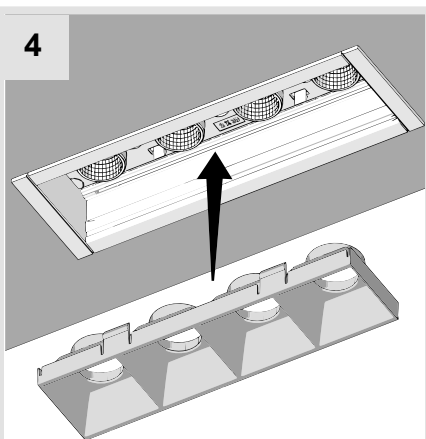
- ⊕ Rosso/Red/Rouge/Rot
- ⊖ Nero/Black/Noir/Schwarz



3



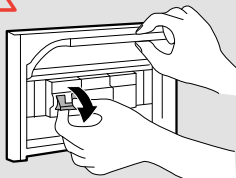
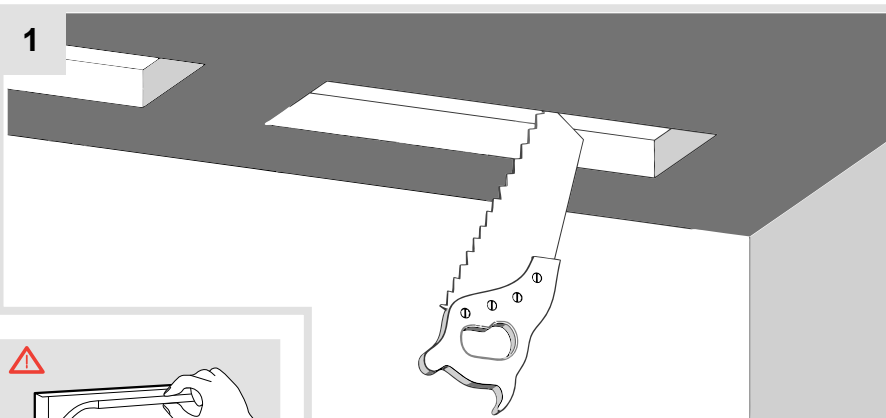
4





SHARP TRIMLESS

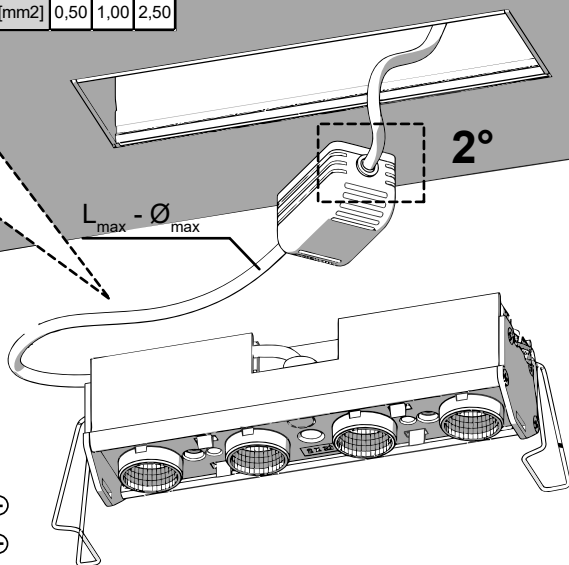
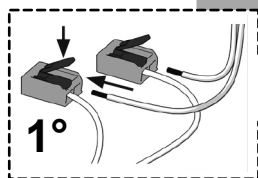
1



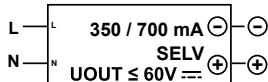
Y513000731

2

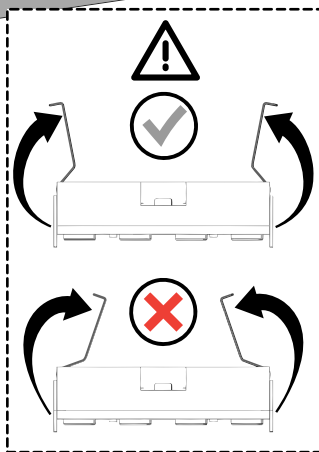
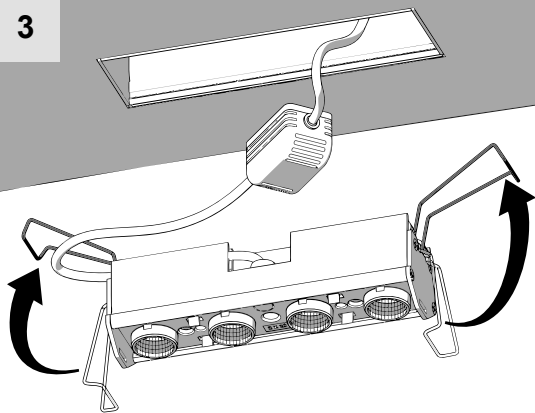
L_{max} [m]	10	20	50
\varnothing_{max} [mm ²]	0,50	1,00	2,50



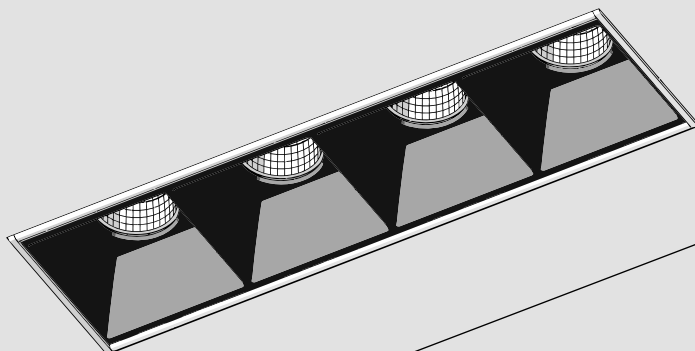
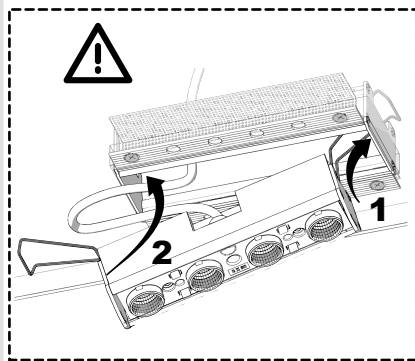
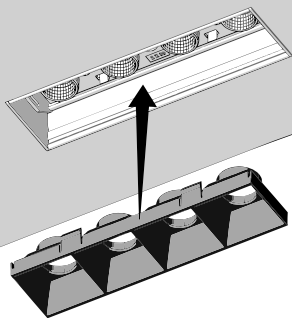
- ⊕ Rosso/Red/Rouge/Rot
- ⊖ Nero/Black/Noir/Schwarz

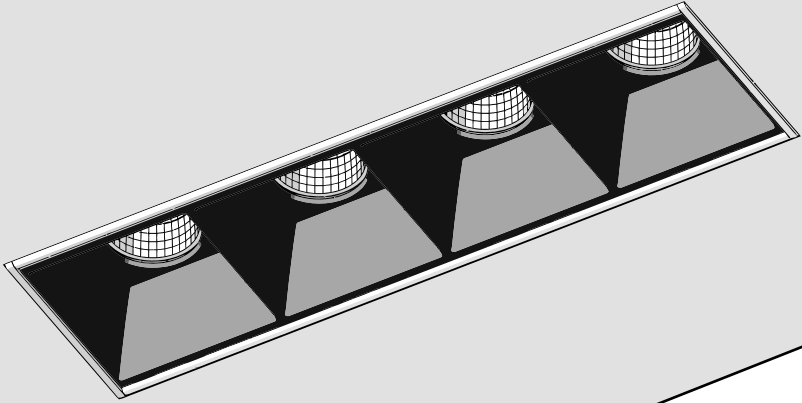


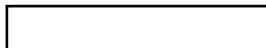
3



4







Artemide Spa

via Bergamo, 18
20010 Pregnana M.se (MI)
ITALIA

Tel. +39 02 935 181
Fax +39 02 935 90 254
Fax +39 02 935 90 496

www.artemide.com

VAT IT00846890150