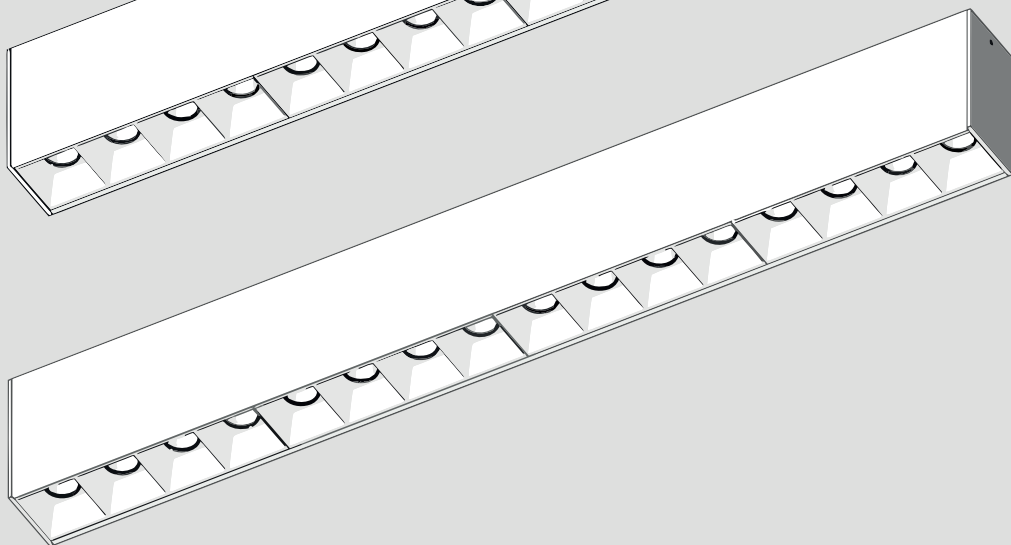
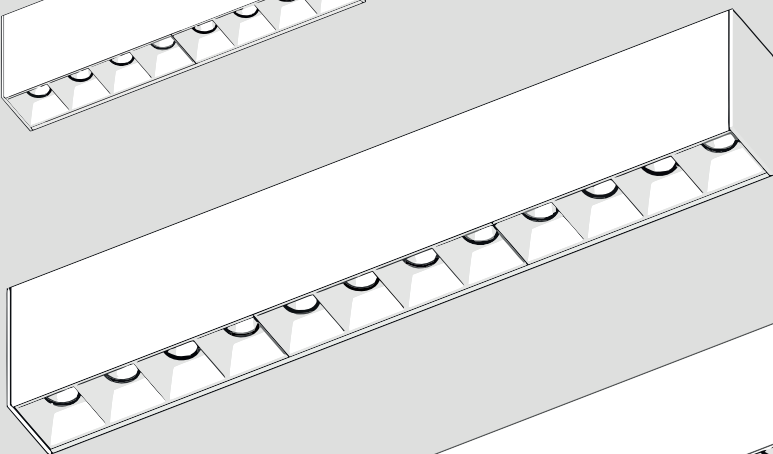
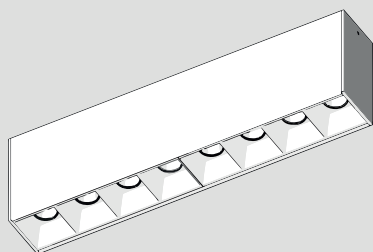


SHARP SMD 8x 12x 16x

Design by
Carlotta de Bevilacqua





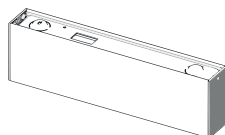
i



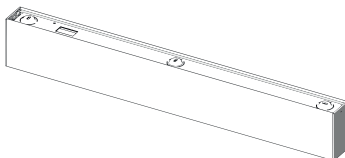
			LED 1 from Dthr (m)		
			2700 K	3000 K	4000 K
FL	0,55	0,55	0,80		
WF	0,45	0,45	0,70		
XF	0,35	0,35	0,50		



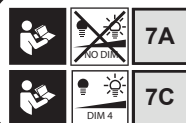
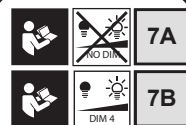
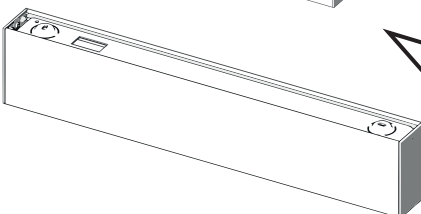
8x

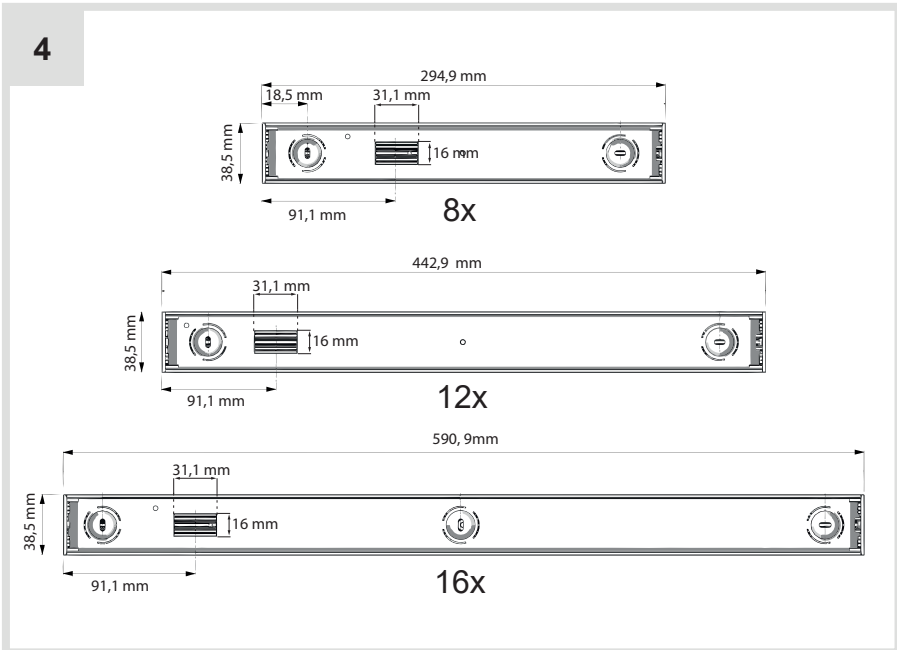
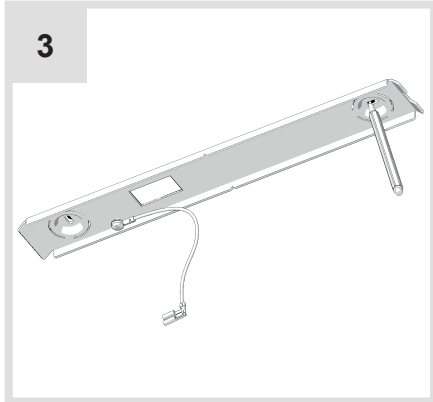
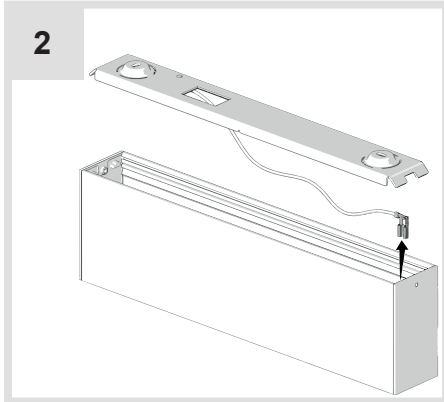
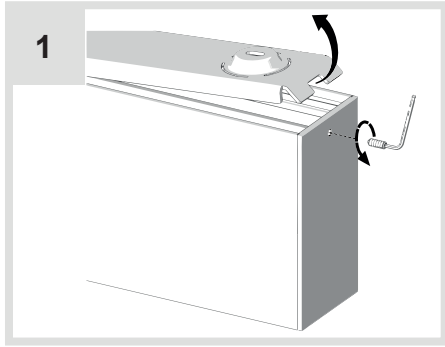
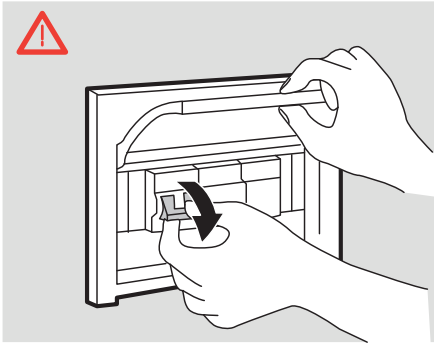


12x

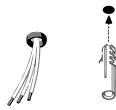
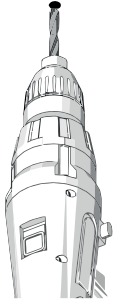


16x

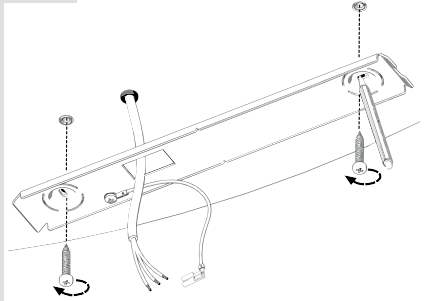




5



6



7A

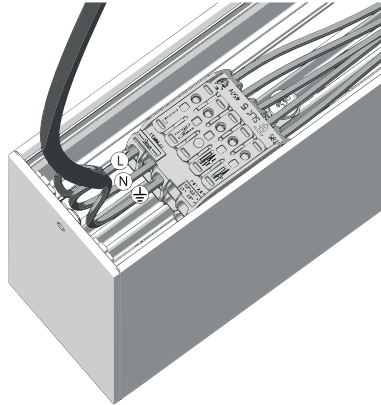
8x



12x

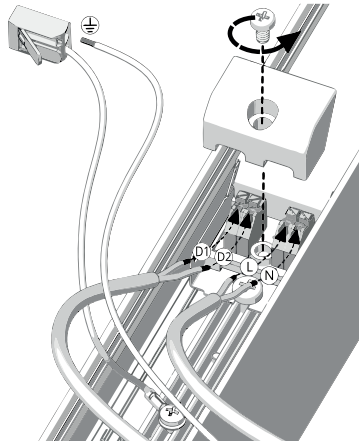


16x

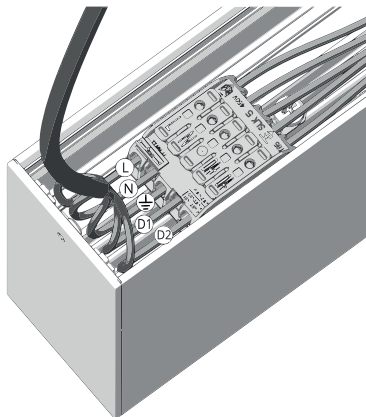
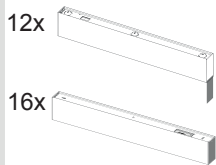


7B

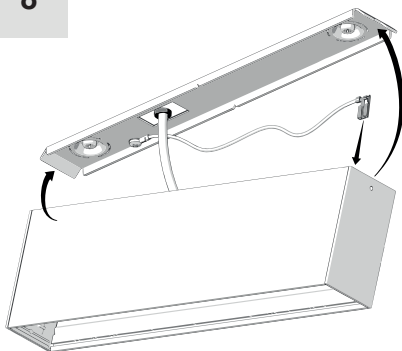
8x



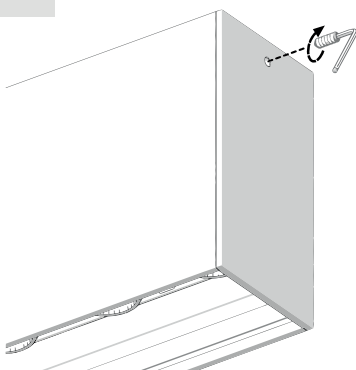
7C



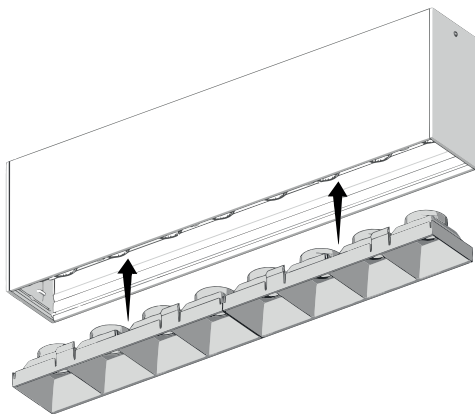
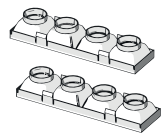
8

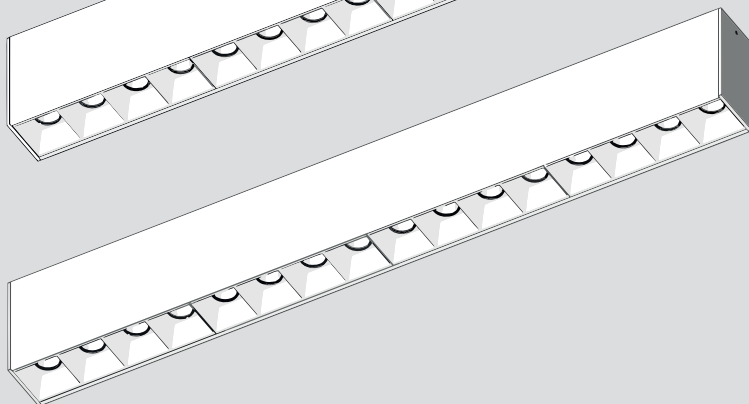
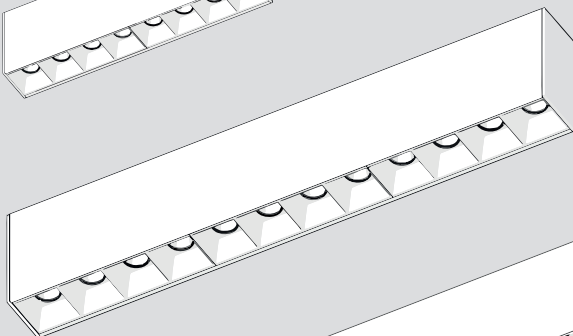
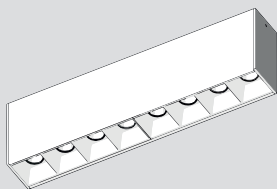


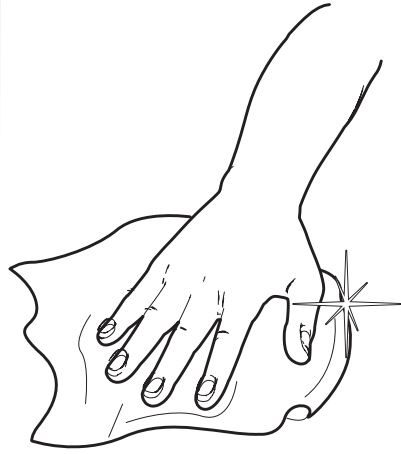
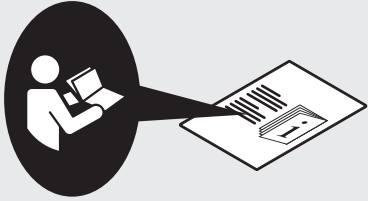
9



10







Artemide[®]
ARCHITECTURAL



Artemide Spa

via Bergamo, 18
20010 Pregnana M.se (MI)
ITALIA

Tel. +39 02 935 181
Fax +39 02 935 90 254
Fax +39 02 935 90 496

www.artemide.com

VAT IT00846890150

cod. Y513000944A