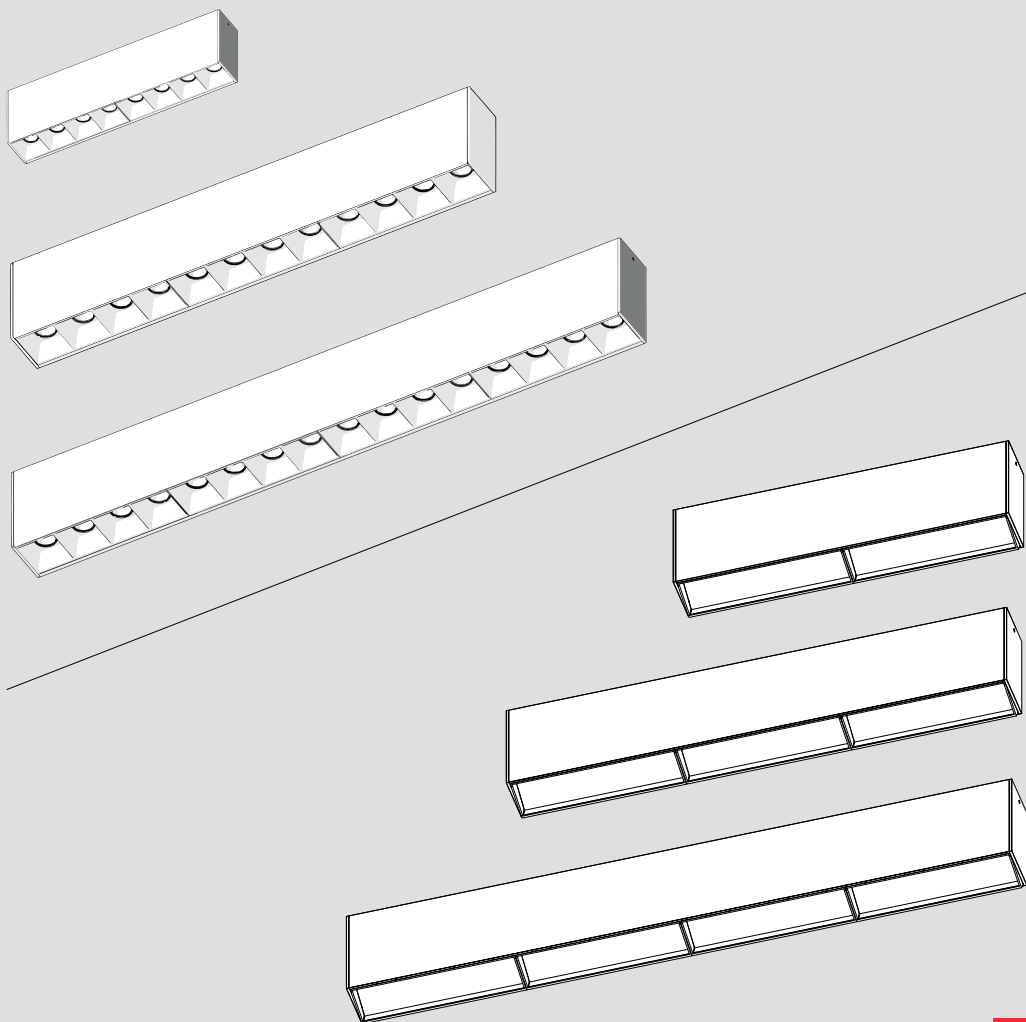


SHARP SMD 8x 12x 16x SHARP 8x 12x 16x WALLWASHER

Design by
Carlotta de Bevilacqua



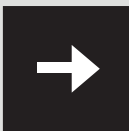
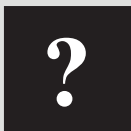


i

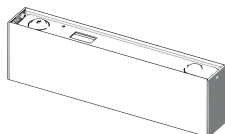


	LED 1 from Dthr (m)		
	2700 K	3000 K	4000 K
FL	0,55	0,55	0,80
WF	0,45	0,45	0,70
XF	0,35	0,35	0,50

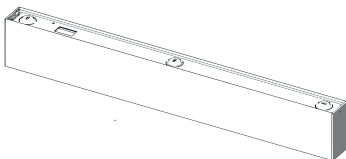
Sharp Wallwasher
LED 1



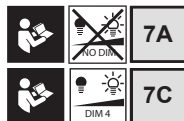
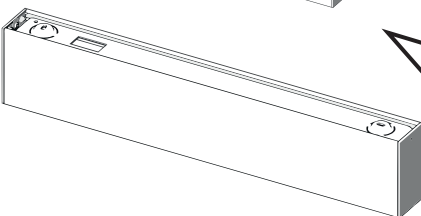
8x

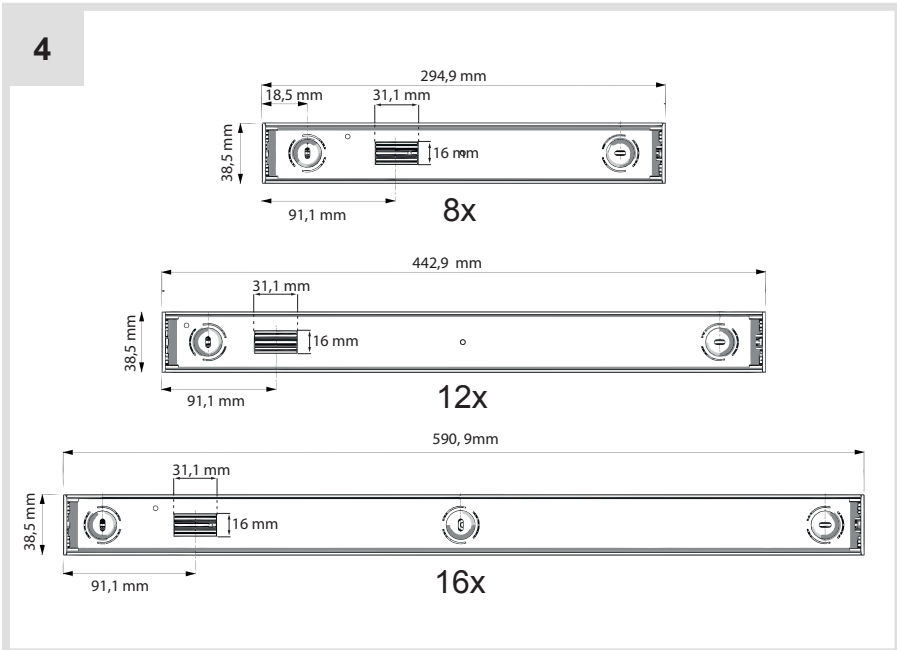
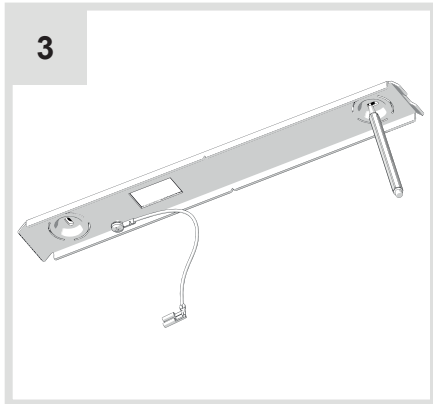
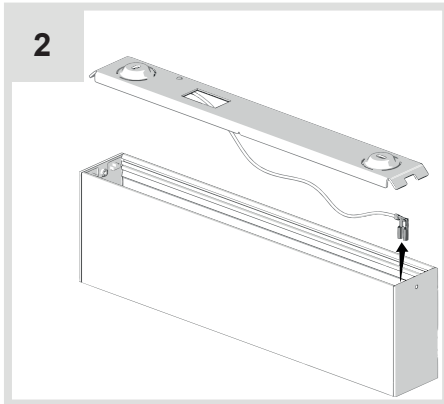
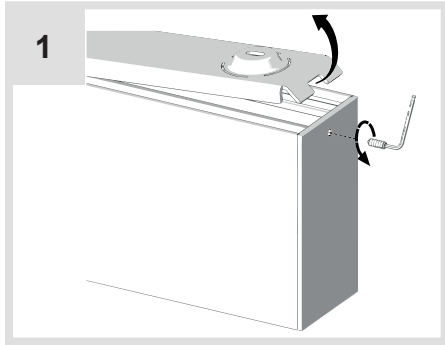
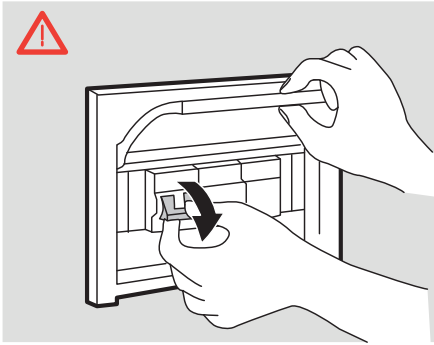


12x

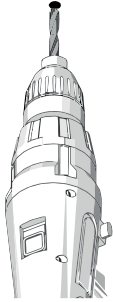


16x

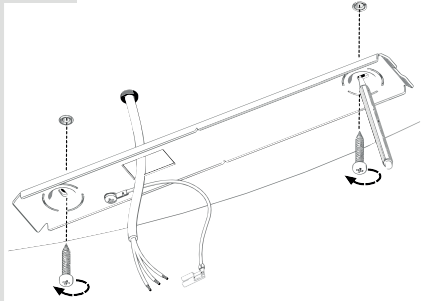




5



6



7A

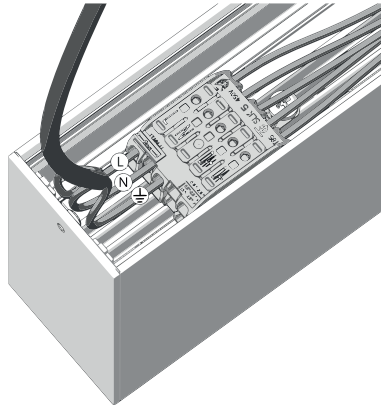
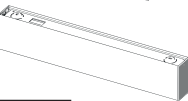
8x



12x

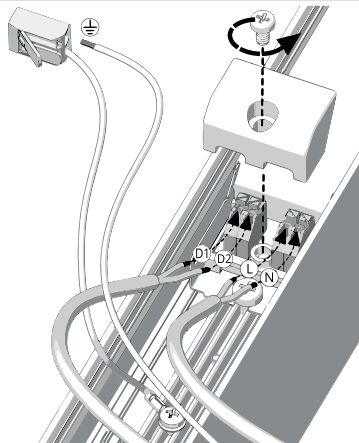


16x



7B

8x

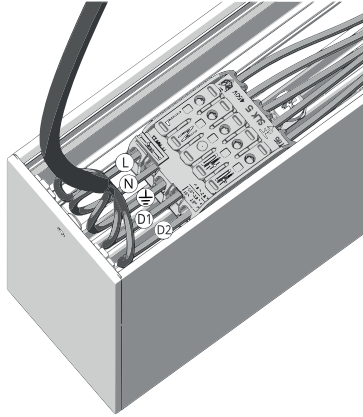


7C

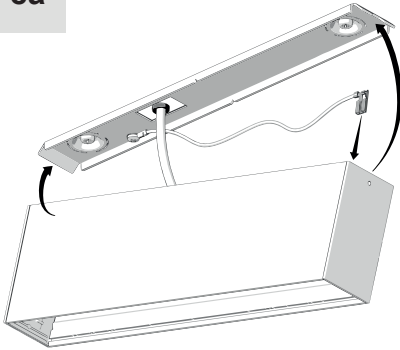
12x



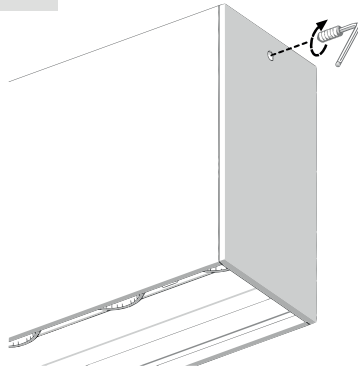
16x



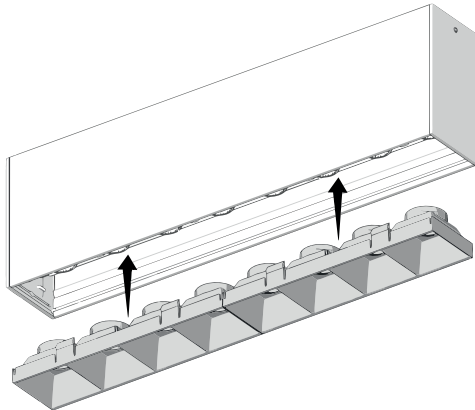
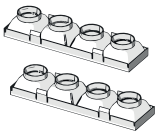
8a

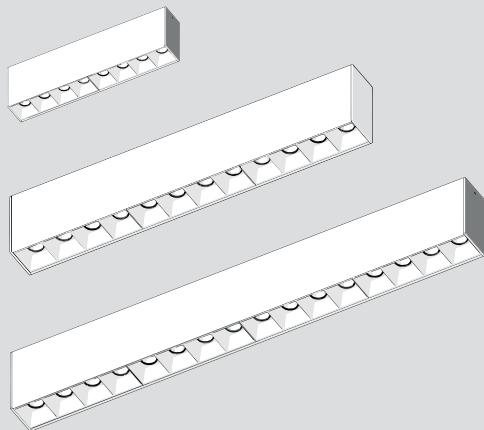


9a

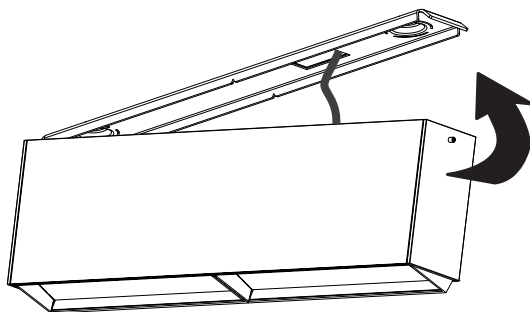


10a

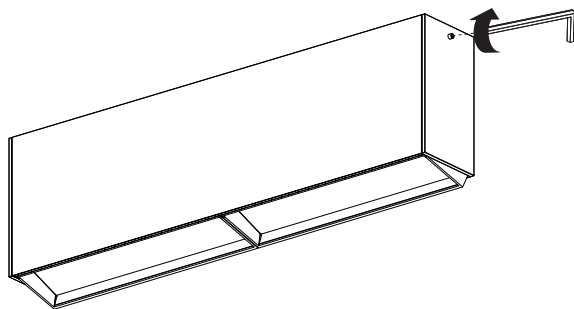


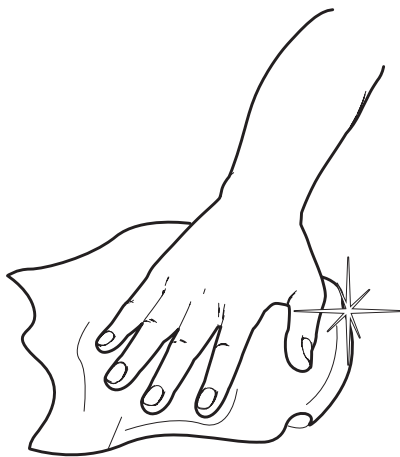
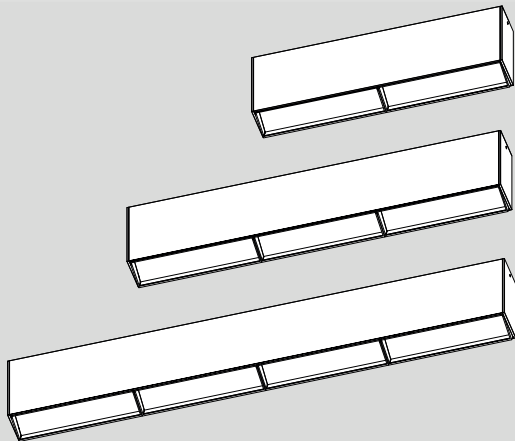


8b



9b





Artemide[®]
ARCHITECTURAL



Artemide Spa

via Bergamo, 18
20010 Pregnana M.se (MI)
ITALIA

Tel. +39 02 935 181
Fax +39 02 935 90 254
Fax +39 02 935 90 496

www.artemide.com

VAT IT00846890150

cod. Y513001218