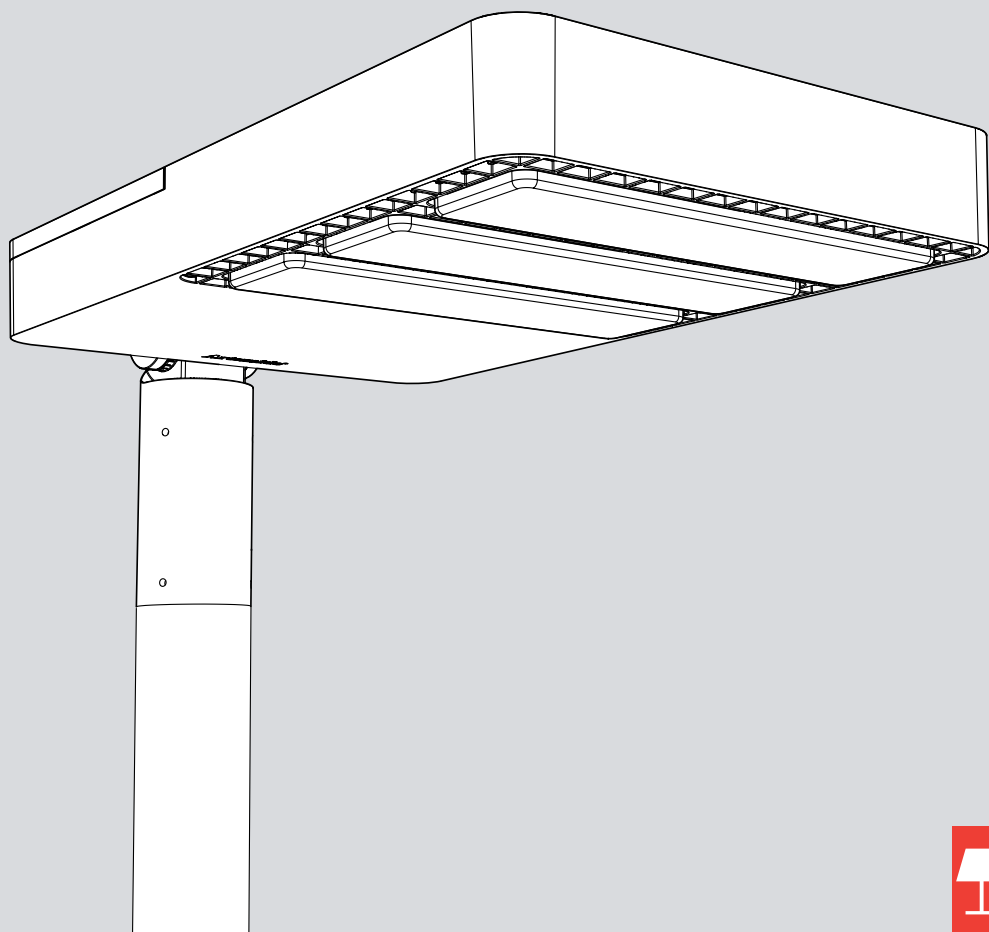


Artemide®

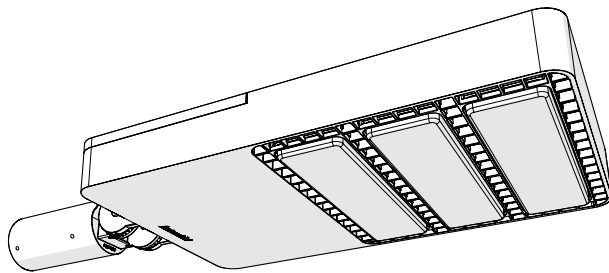
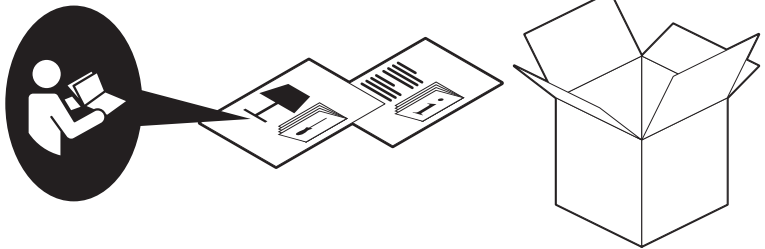
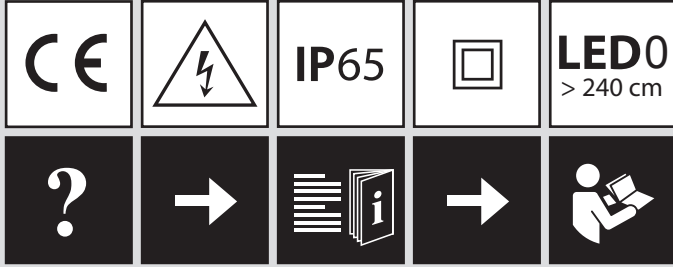
Sostituto palo

design
E. Gismondi

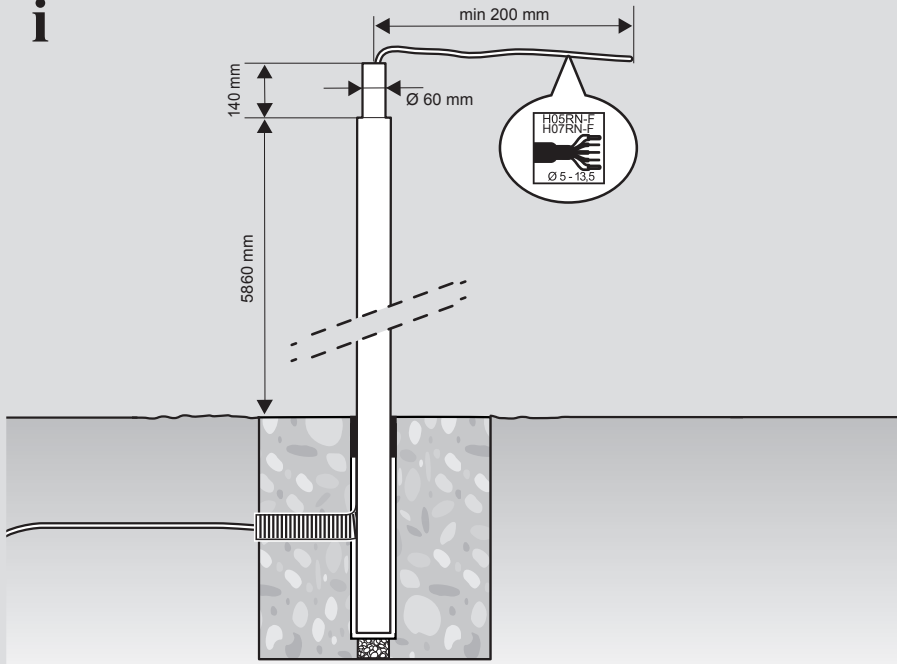




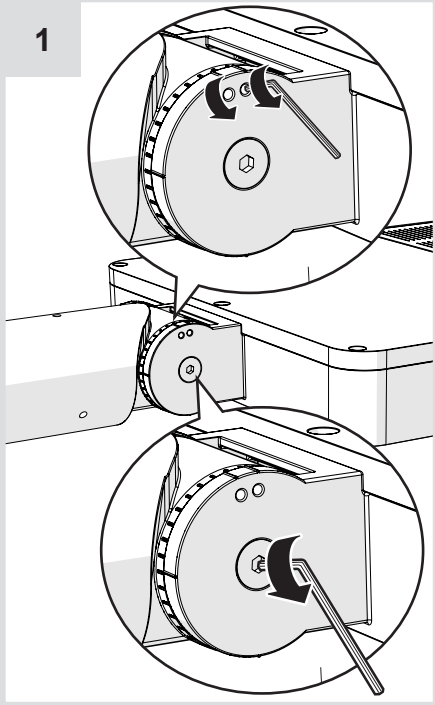
i



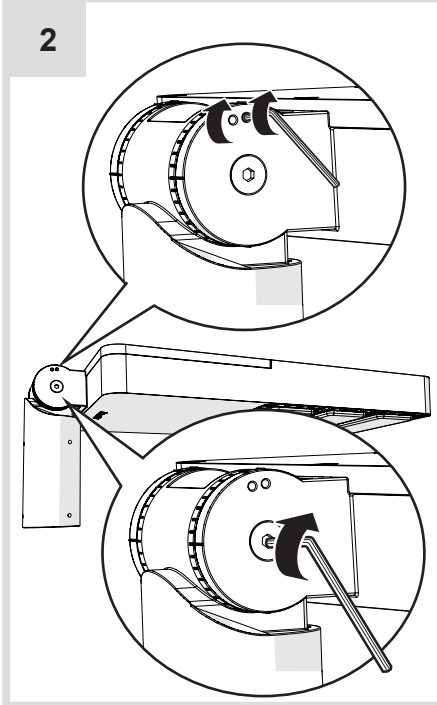
i

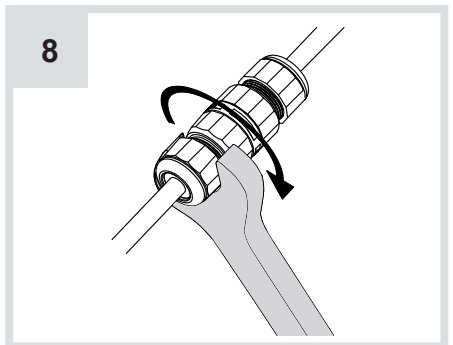
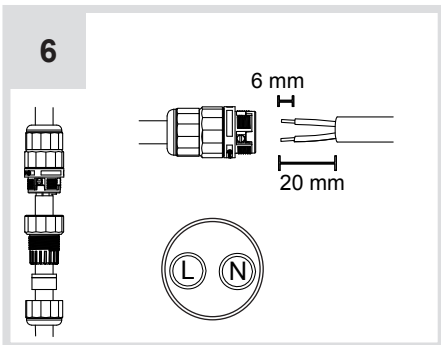
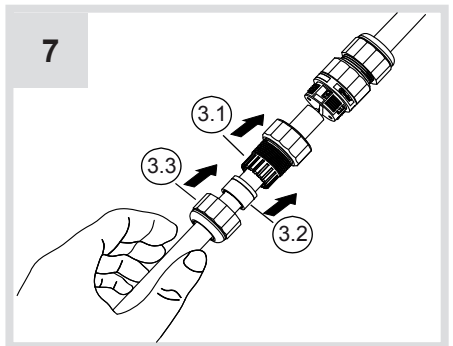
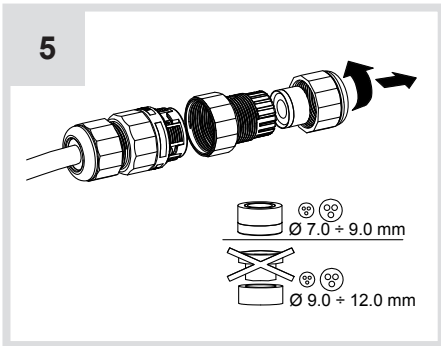
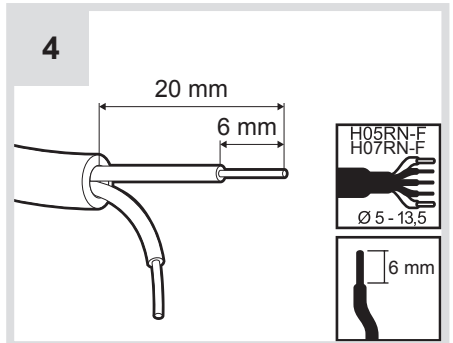
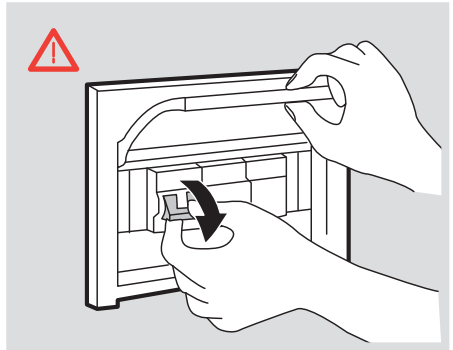
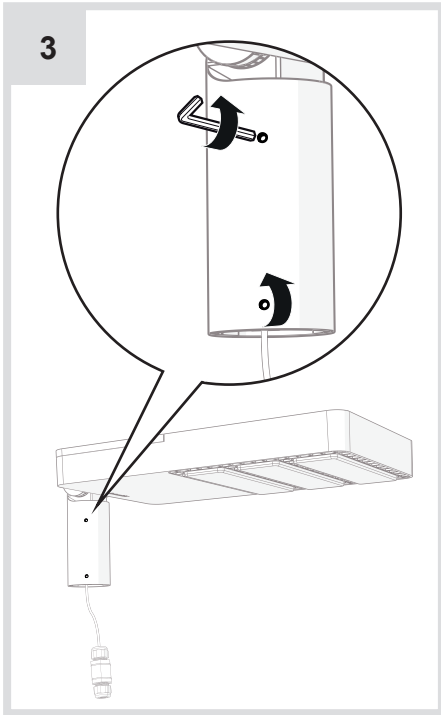


1

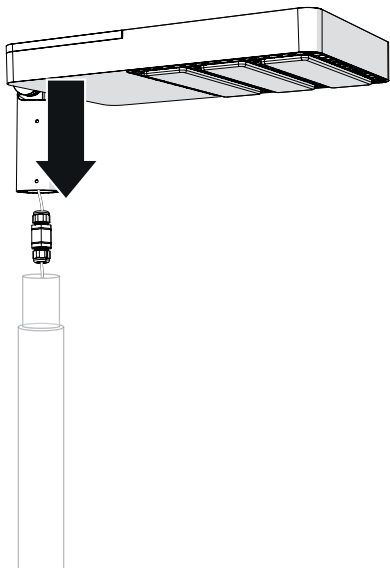


2

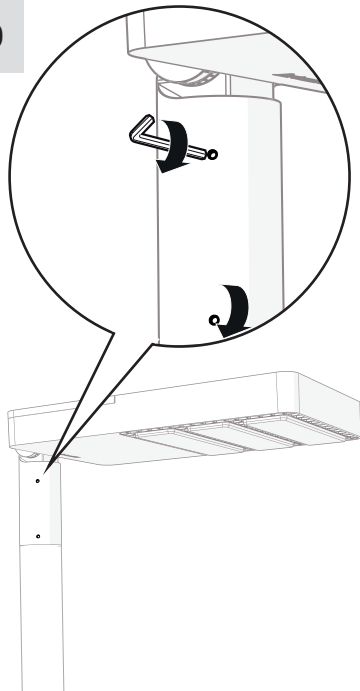




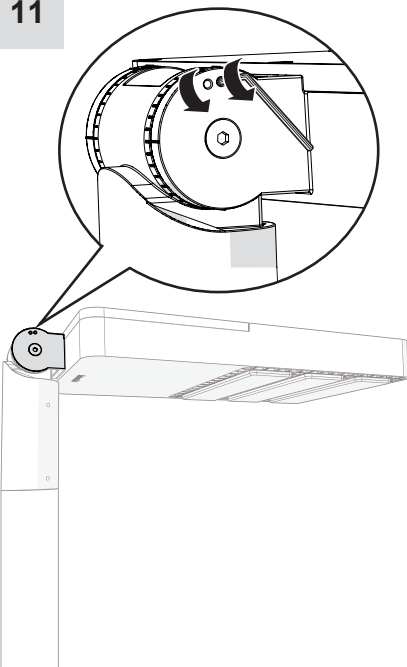
9



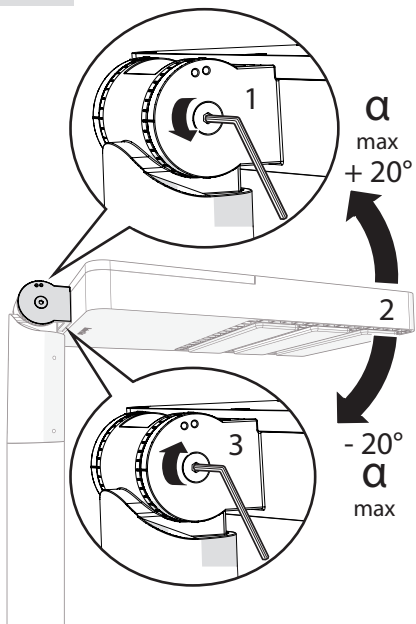
10



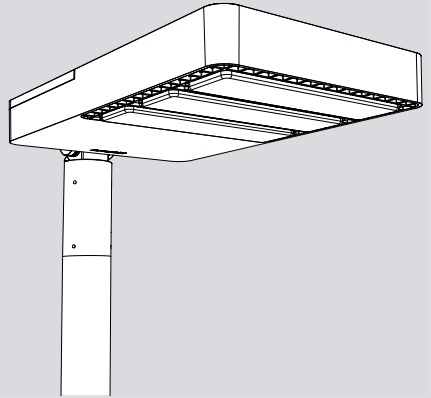
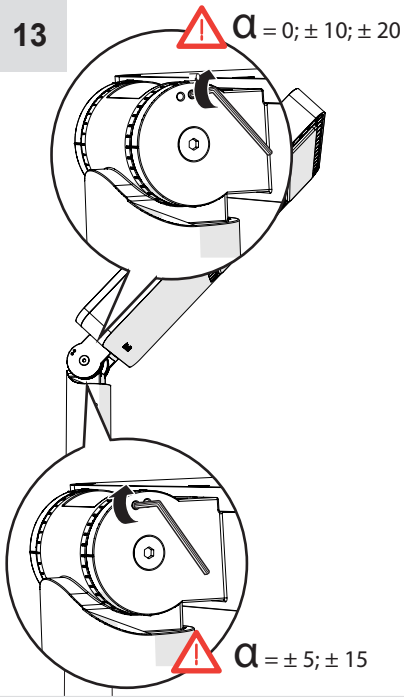
11

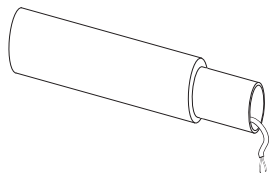


12

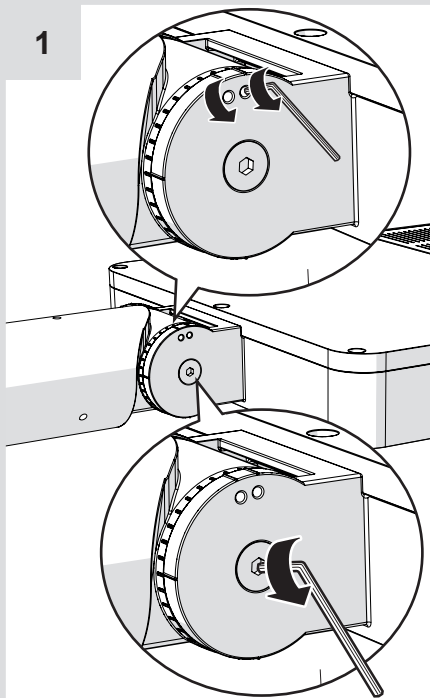


13

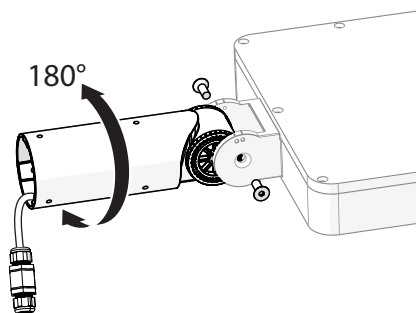




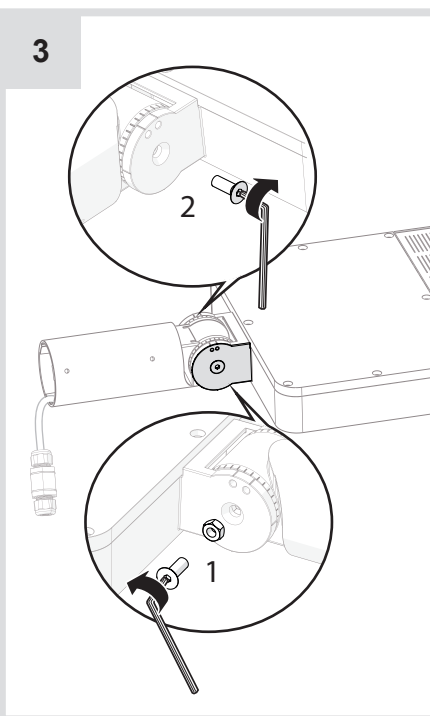
1

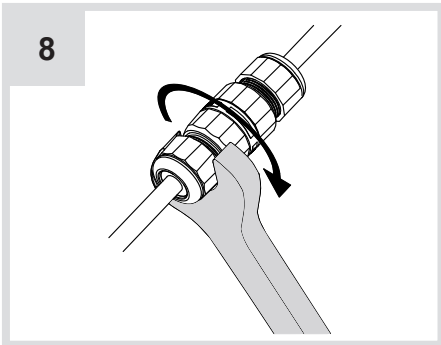
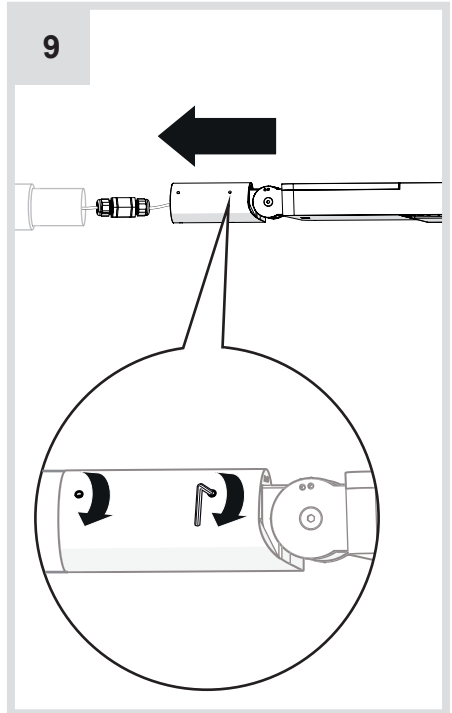
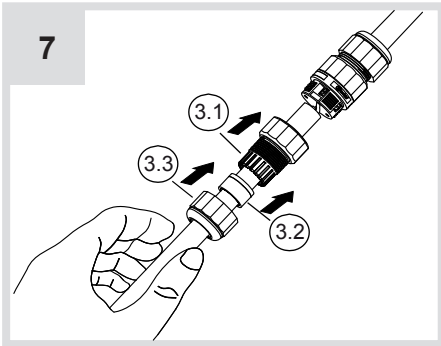
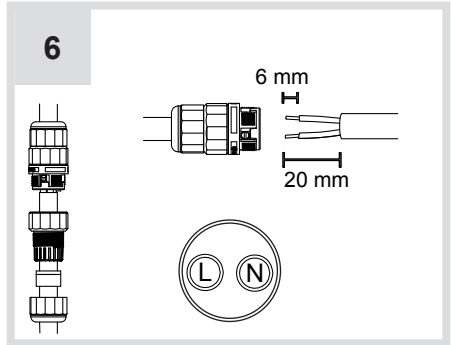
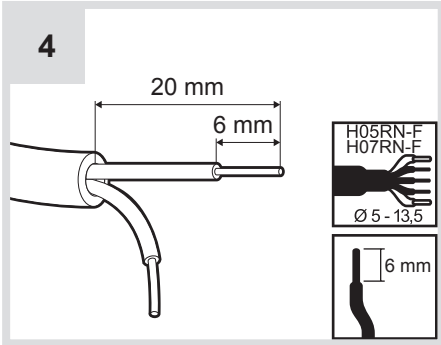
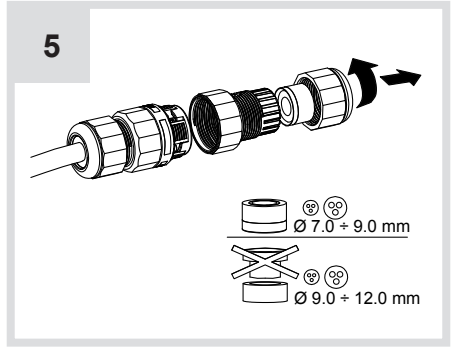
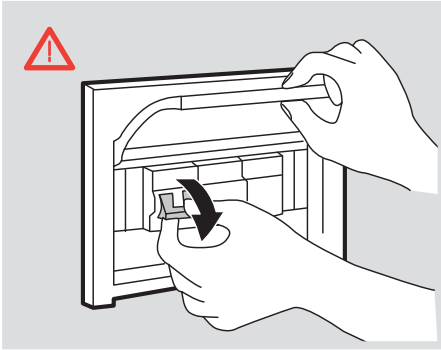


2

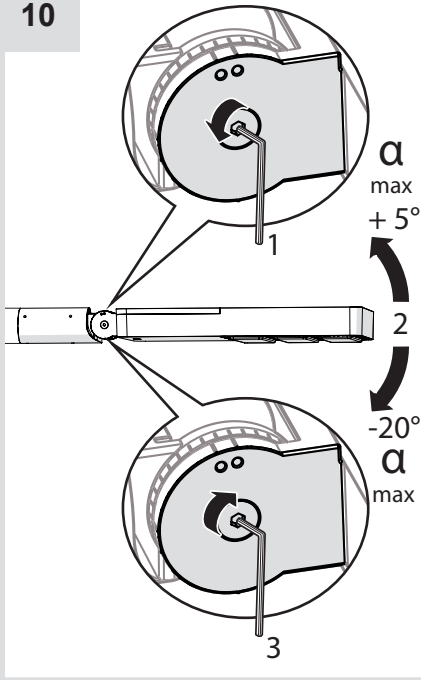


3

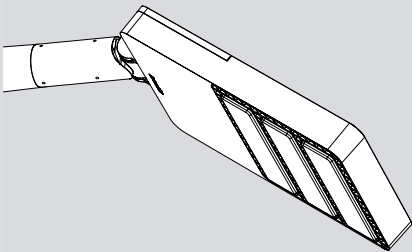
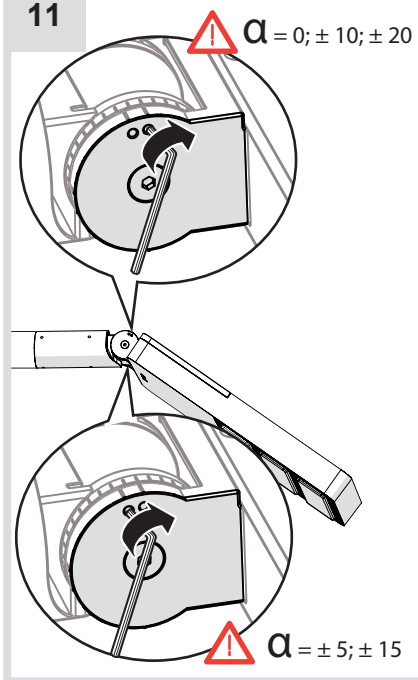




10



11





i



1



Artemide®



Artemide

via Bergamo, 18
20010 Pregnana M.se (MI)
ITALIA

tel. +39 02 935 181
fax +39 02 935 90 254
fax +39 02 935 90 496

www.artemide.com

VAT IT00846890150

cod. Y513000227C