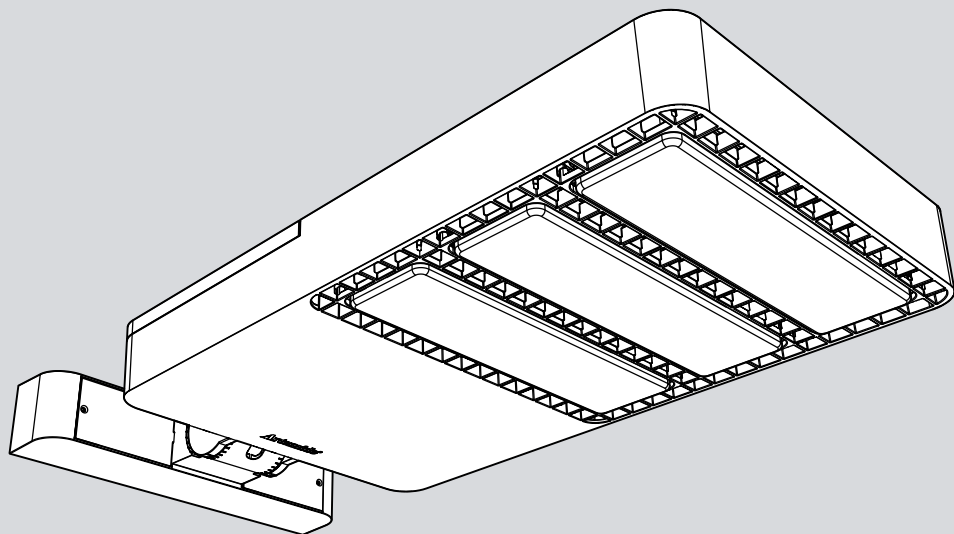


# Artemide®

## Sostituto proiettore

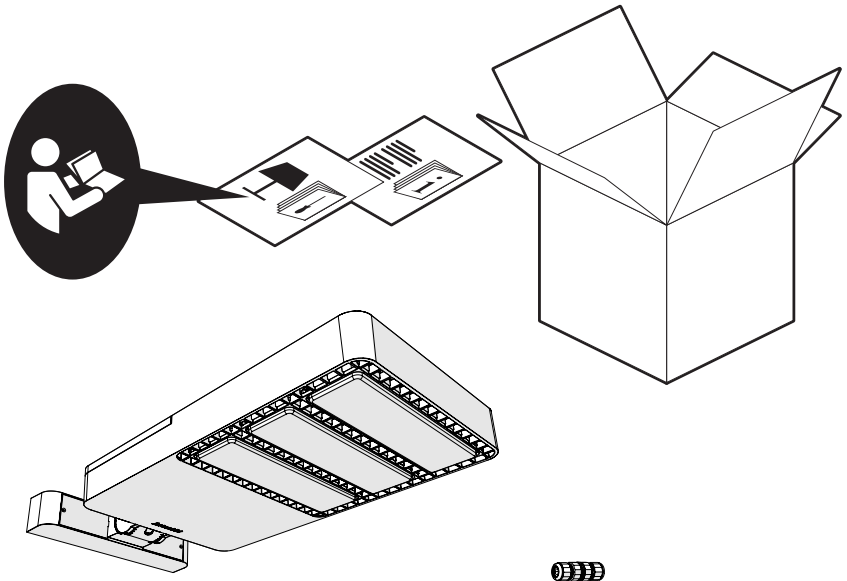
design  
E. Gismondi

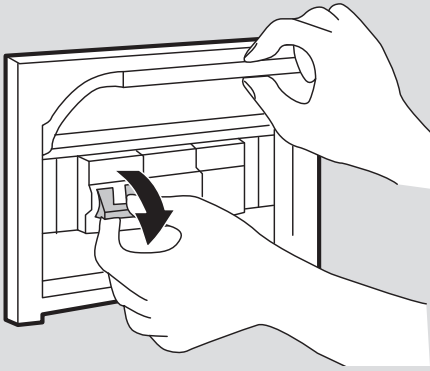




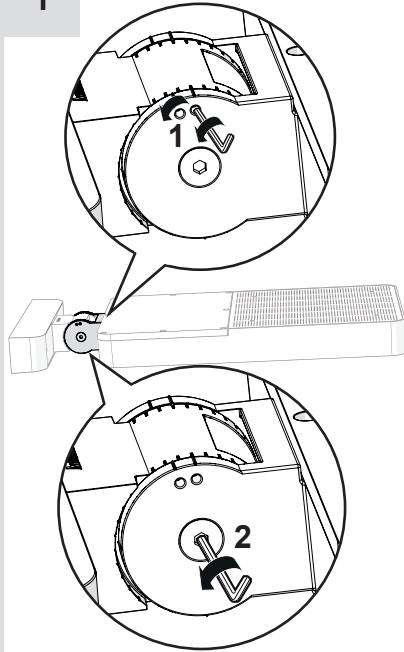
i

		<b>IP65</b>		
 <b>LED 1</b> from Dthr 175 cm 10°	 <b>LED 1</b> from Dthr 70 cm 23°	 <b>LED 1</b> from Dthr 75 cm 12X40°		

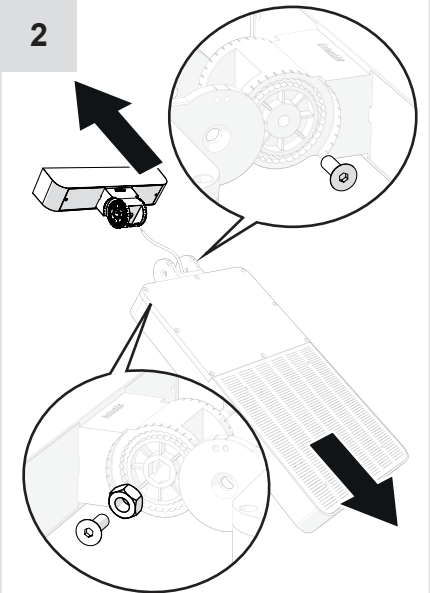




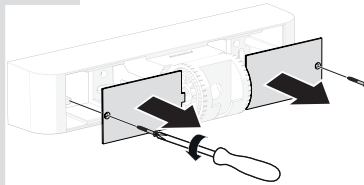
1



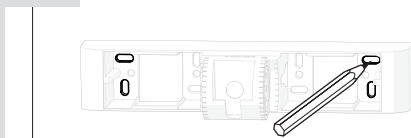
2

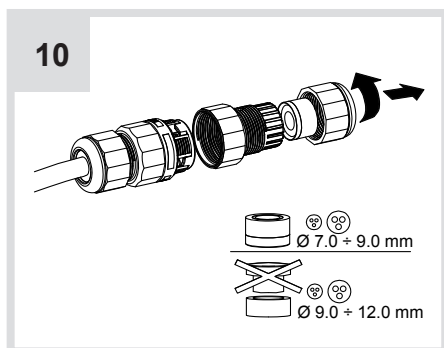
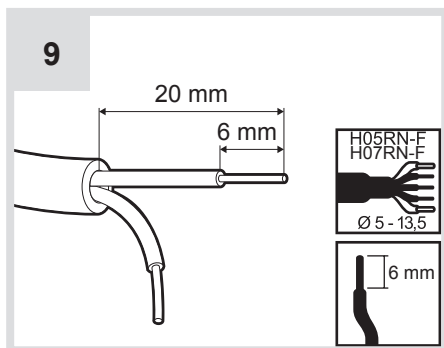
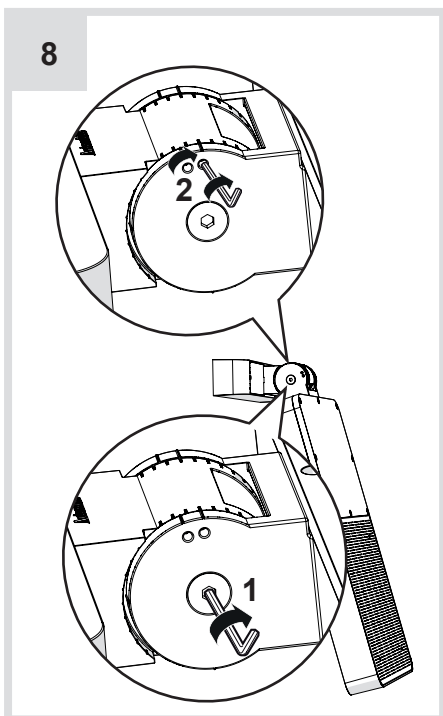
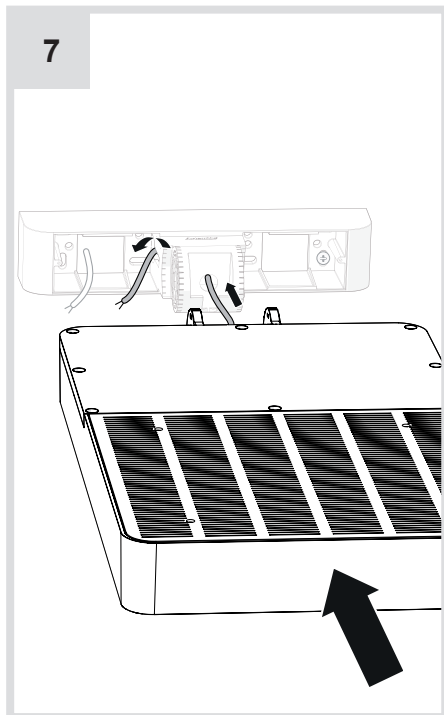
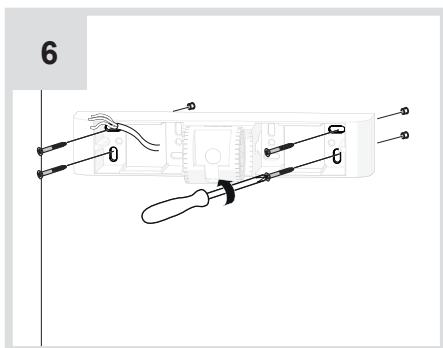
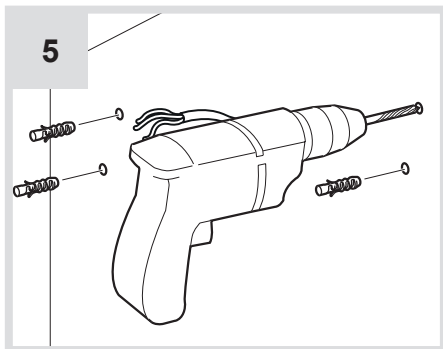


3

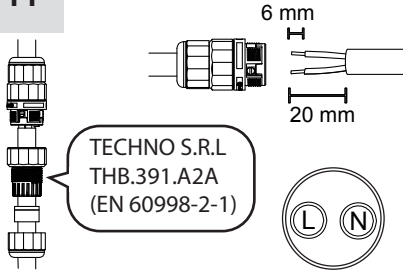


4

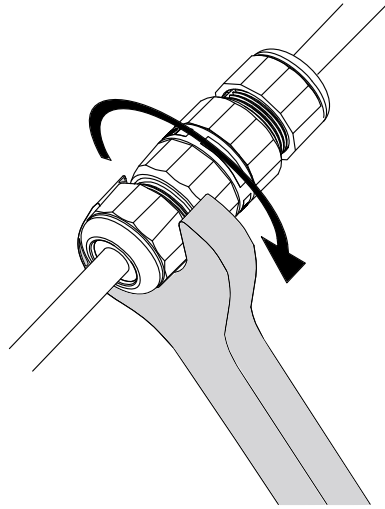




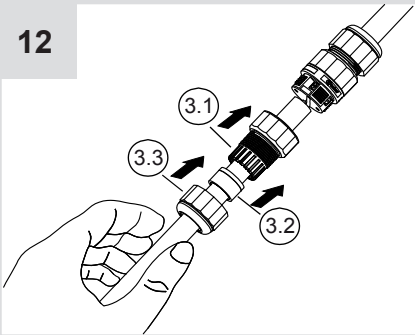
11



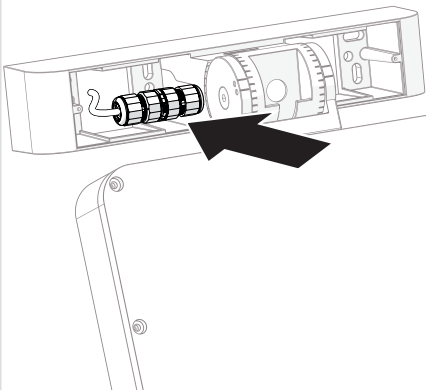
13



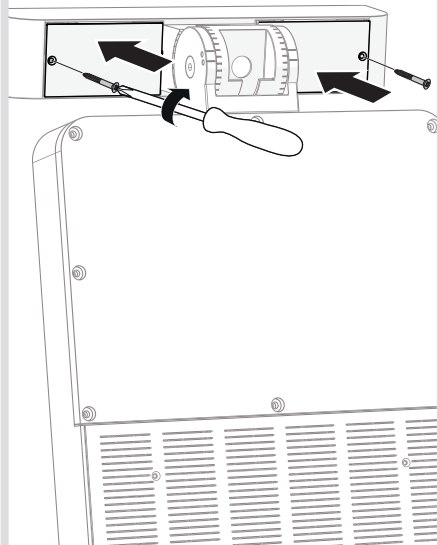
12



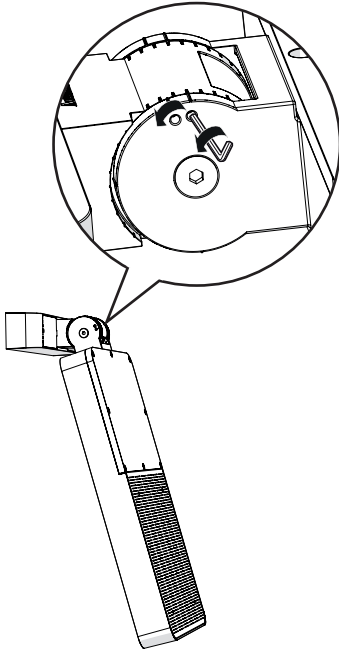
14



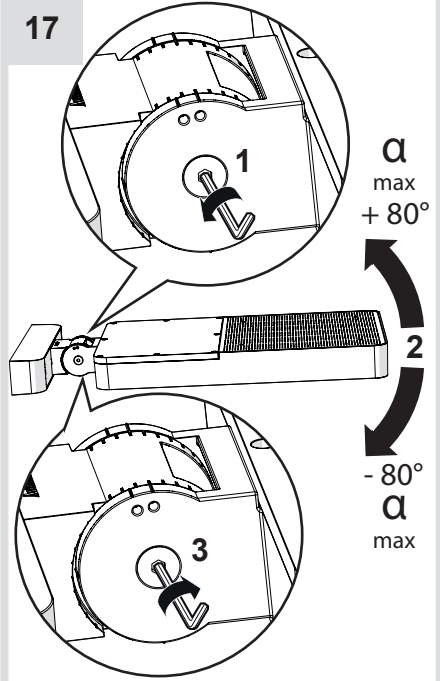
15



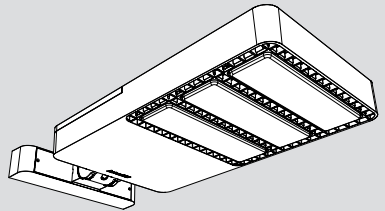
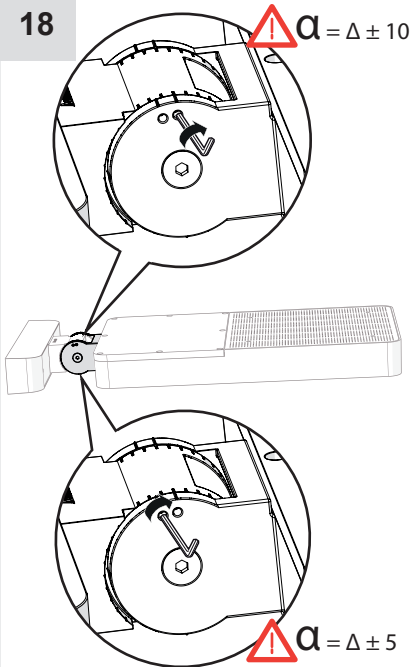
16



17



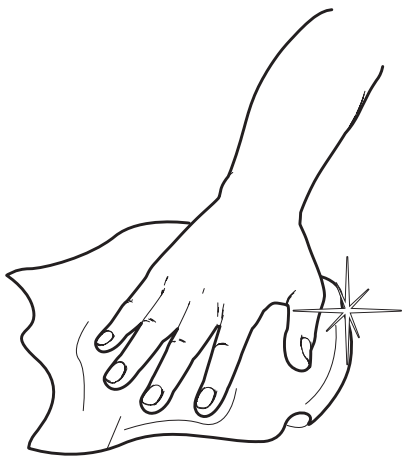
18



i



1



**Artemide®**



**Artemide**

via Bergamo, 18  
20010 Pregnana M.se (MI)  
ITALIA

tel. +39 02 935 181  
fax +39 02 935 90 254  
fax +39 02 935 90 496

[www.artemide.com](http://www.artemide.com)

VAT IT00846890150

cod. Y513000228B