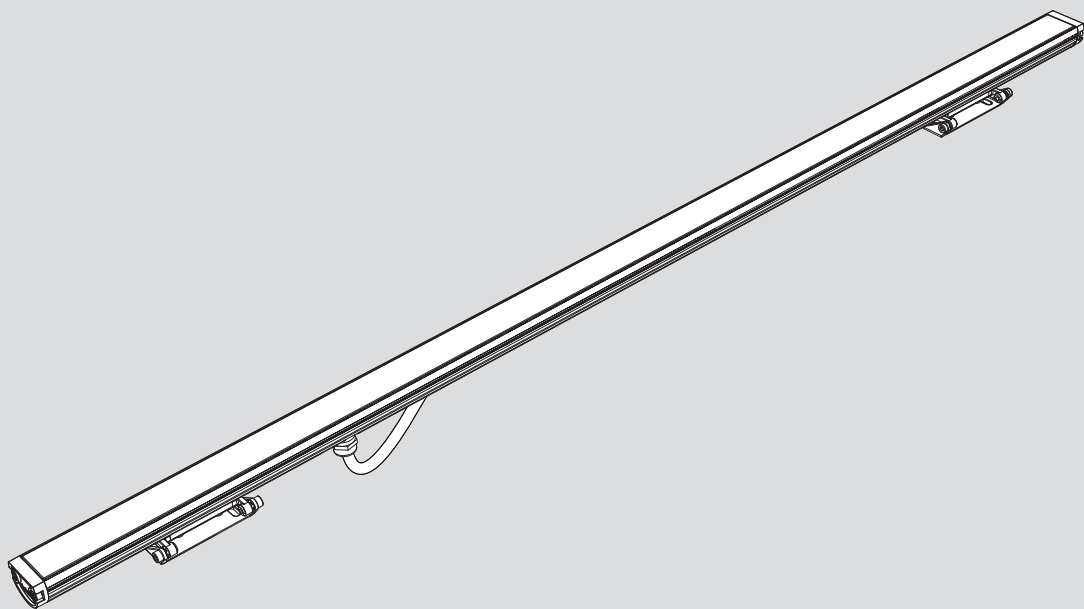


# Artemide®

## SPIKE

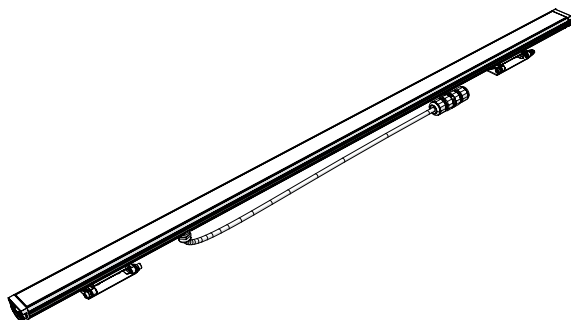
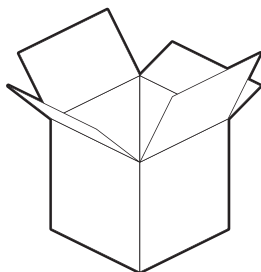
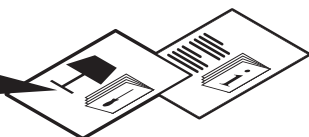


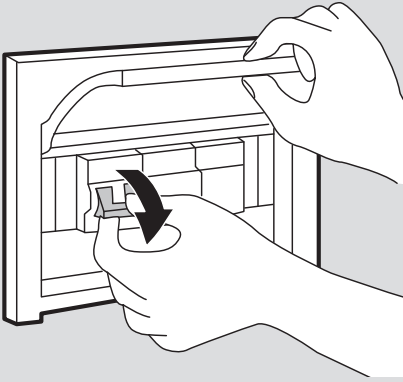


i

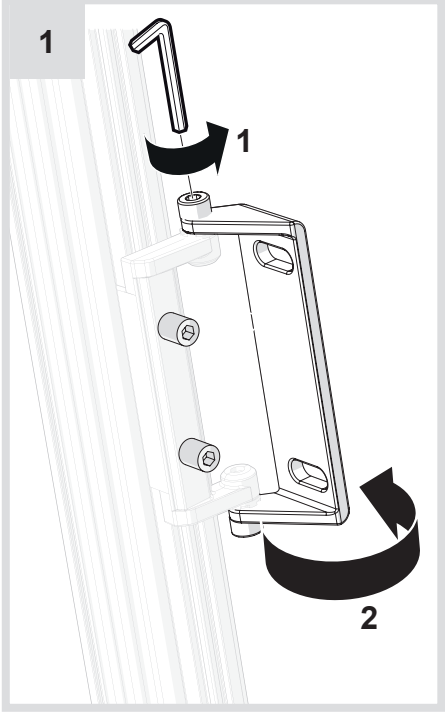


**LED 1**  
from  
Dthr 95 cm

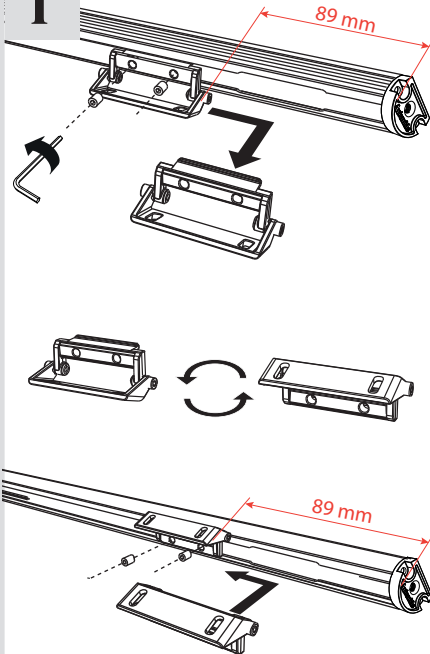




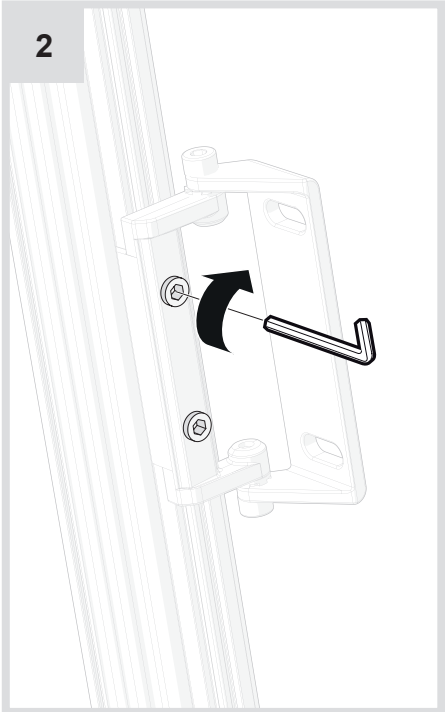
1



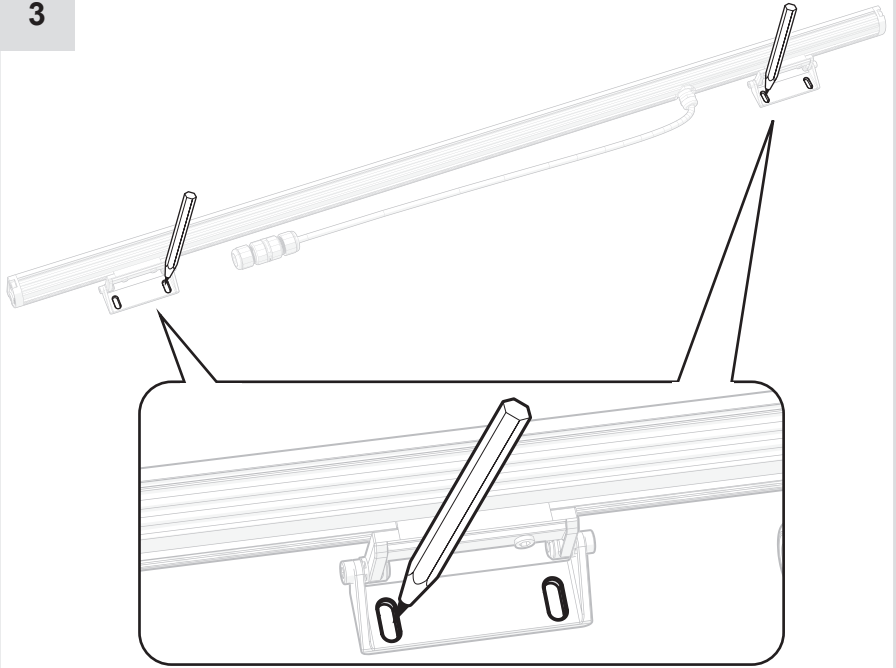
i



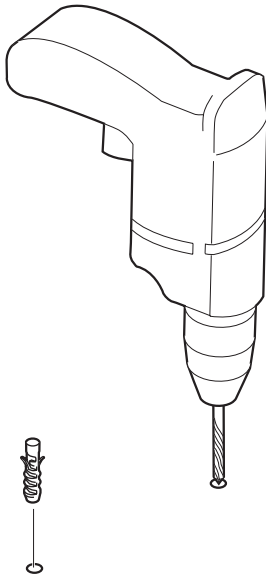
2



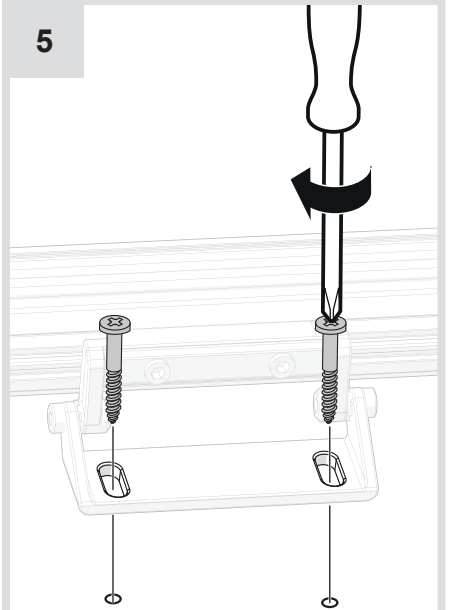
3



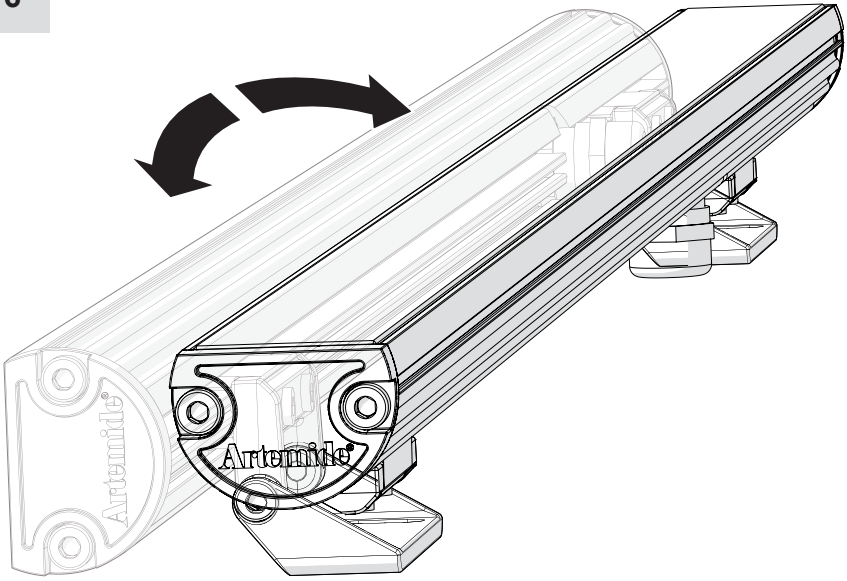
4



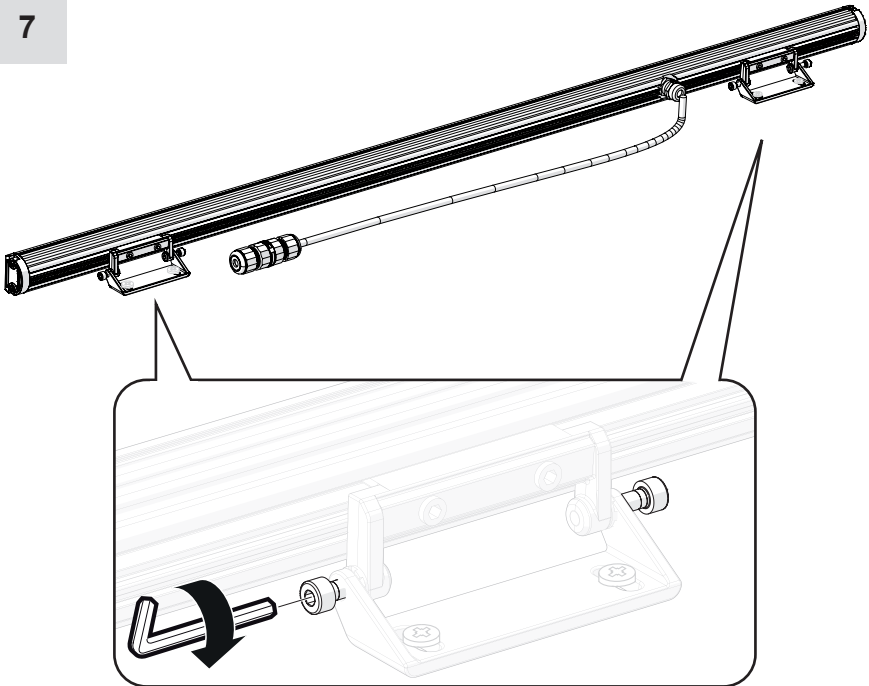
5



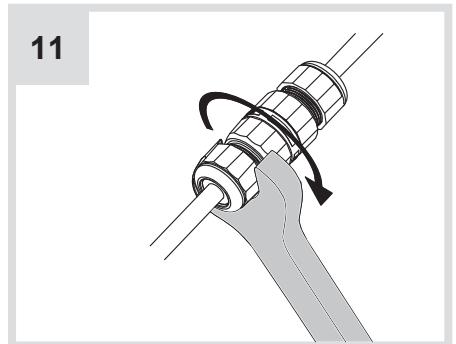
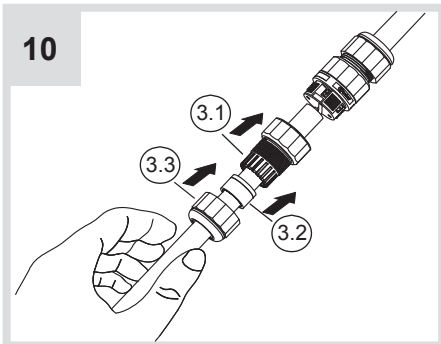
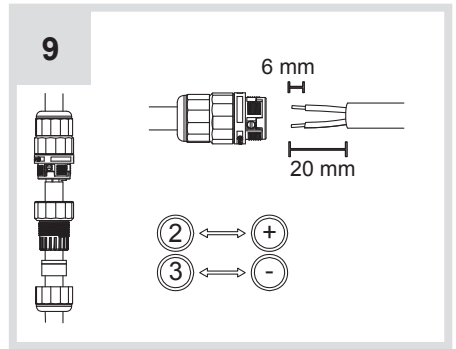
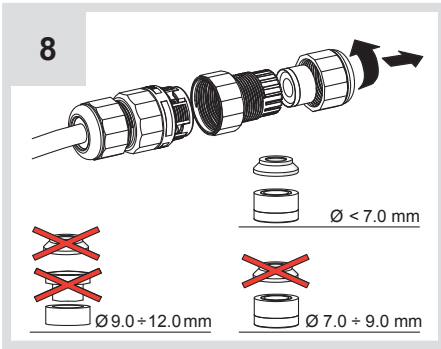
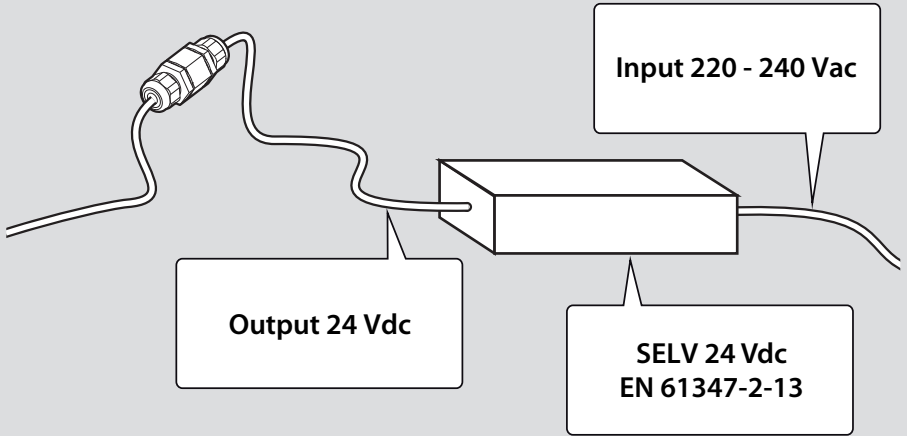
6



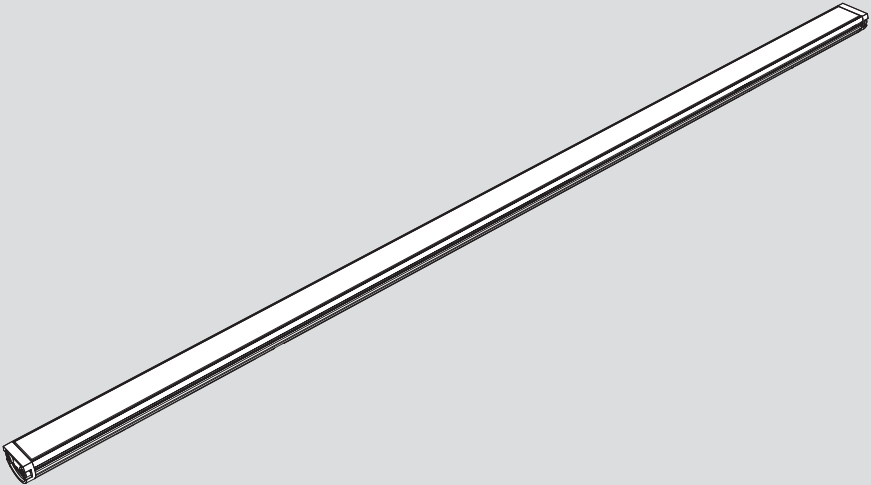
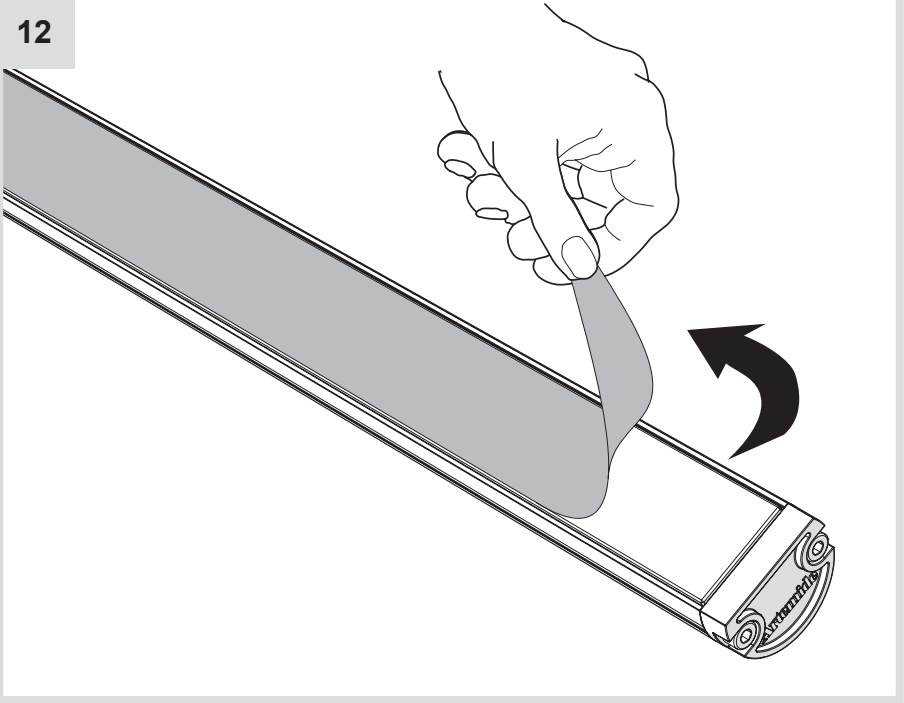
7

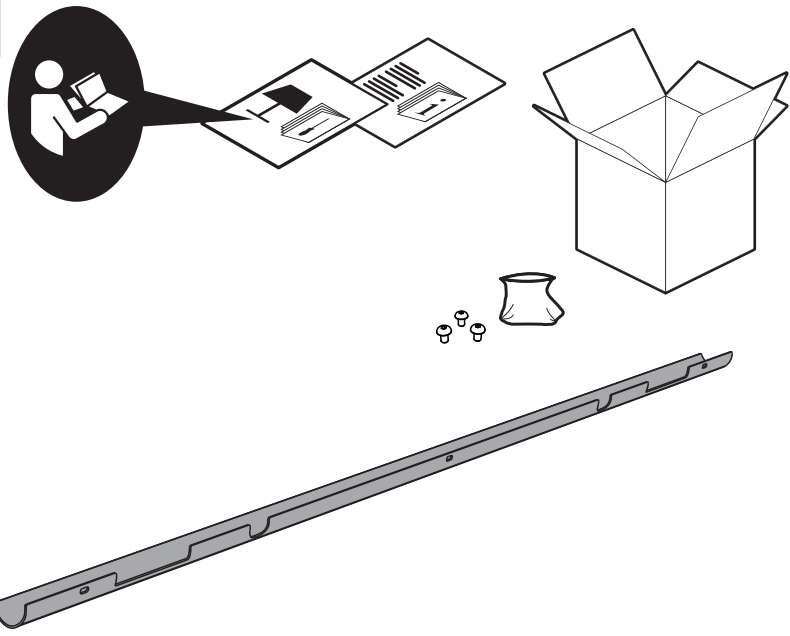


**i**

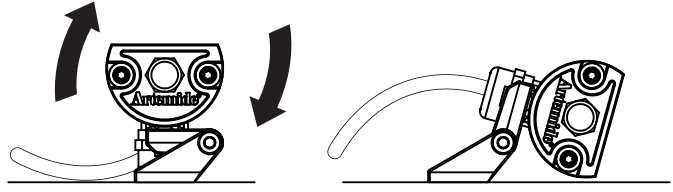


12

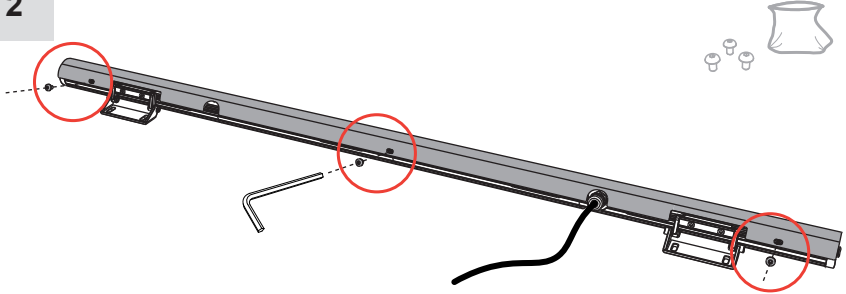




1

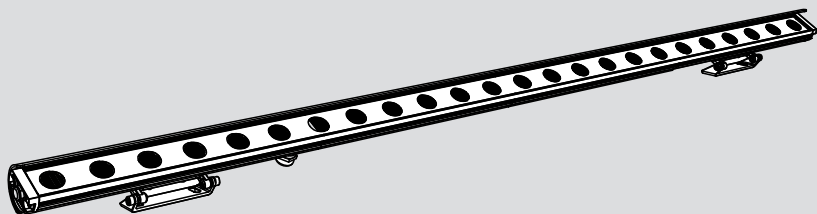
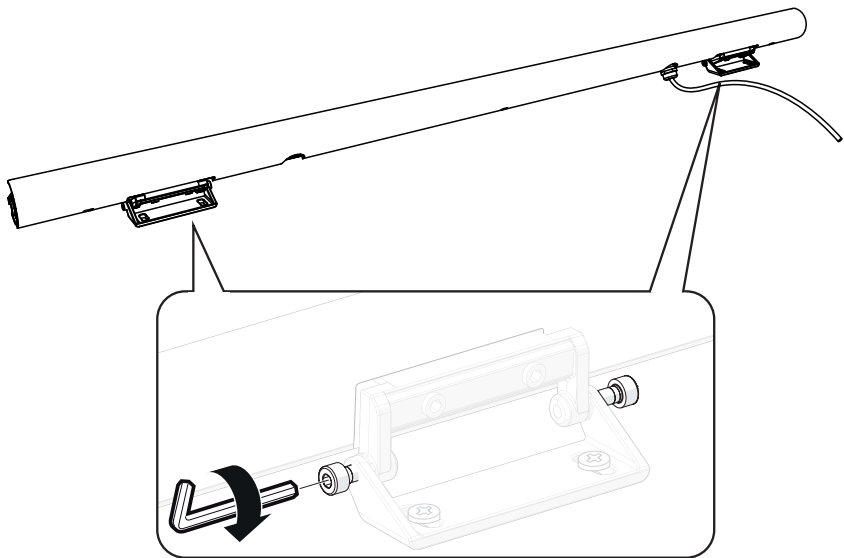


2





3







**Artemide®**



## **Artemide**

via Bergamo, 18  
20010 Pregnana M.se (MI)  
ITALIA

tel. +39 02 935 181  
fax +39 02 935 90 254  
fax +39 02 935 90 496

[www.artemide.com](http://www.artemide.com)

VAT IT00846890150

cod. Y513000261D