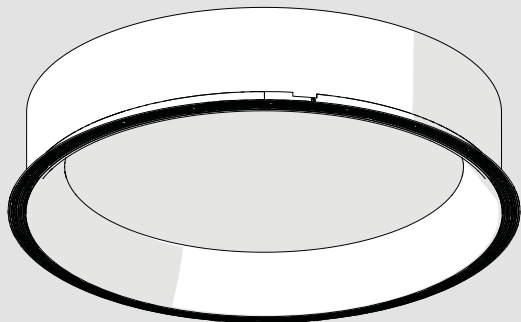
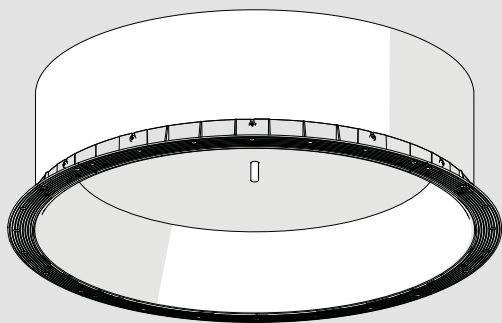
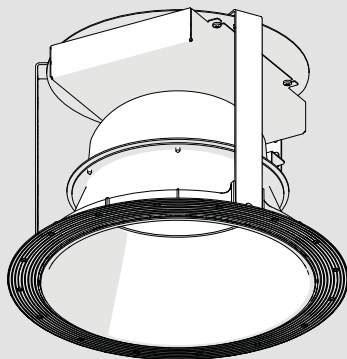
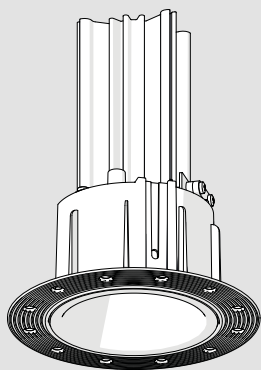


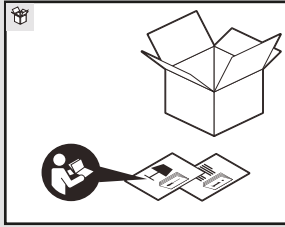
TAGORA RECESSED

design
S./R. Cornelissen



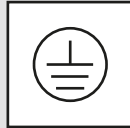
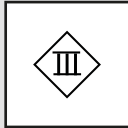
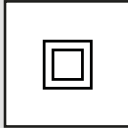


i



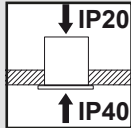
TAGORA 80
LED (GU10),
TAGORA 270 ↓

TAGORA 80 LED TAGORA 570,
TAGORA 970 ↓

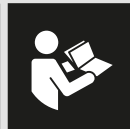
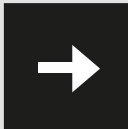
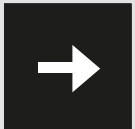
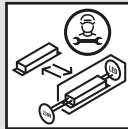
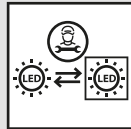
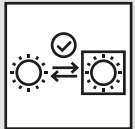


TAGORA 570,
TAGORA 970 ↓

TAGORA 80,
TAGORA 270 ↓



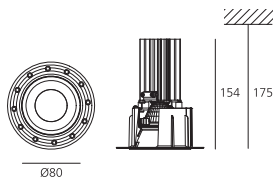
ONLY FOR LED
(GU10) ↓





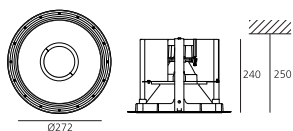
*GWFI = Glow Wire Flammability Index

TAGORA RECESSED \varnothing 80



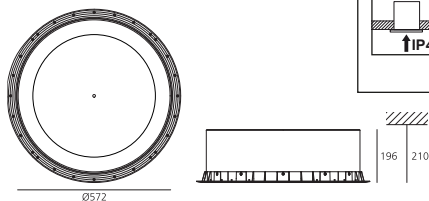
IP20	LED	LED1	III	3000K	flood
	LED (GU10)			100mm	4000K
GWFI 960°C*					flood
					wide flood
					very wide flood
					LED (GU10) 220-240V max 8W Max overall length 81 mm

TAGORA RECESSED \varnothing 270



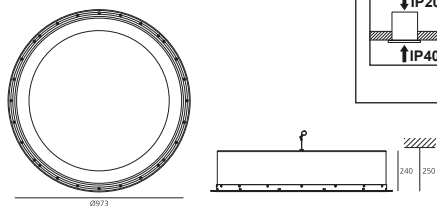
IP20	GWFI 750°C*	LED1	□	3000K	spot
				4000K	flood
					spot
					flood

TAGORA RECESSED \varnothing 570



↓ IP20 ↑ IP40	GWFI 650°C*	LED1	⊕	3000K
				4000K

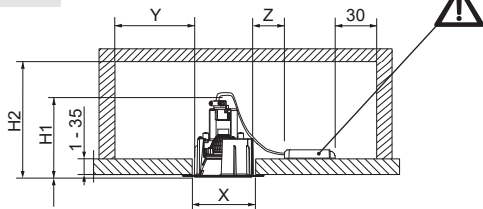
TAGORA RECESSED \varnothing 970



↓ IP20 ↑ IP40	GWFI 650°C*	LED1	⊕	3000K
				4000K

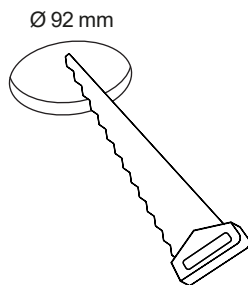


TAGORA RECESSED $\varnothing 80$

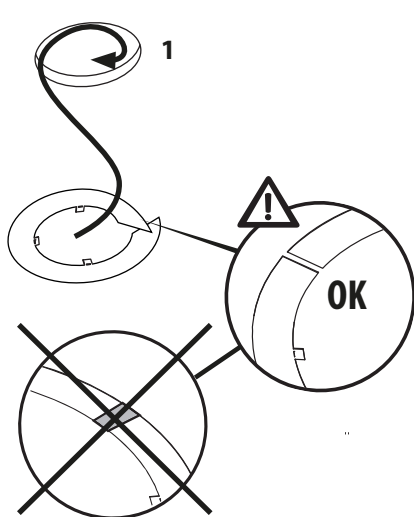


	X(mm)	Y(mm)	Z(mm)	H1(mm)	H2(mm)
LED	$\varnothing 92$	70	100	155	175

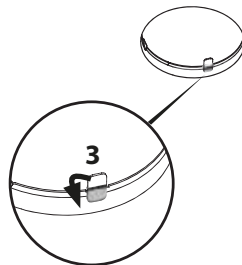
1



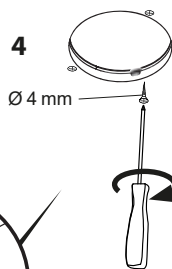
2



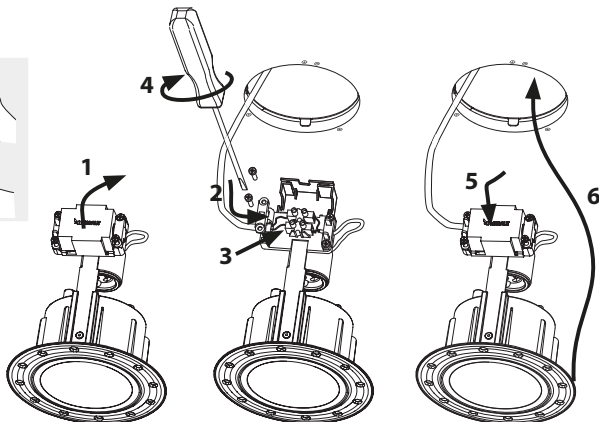
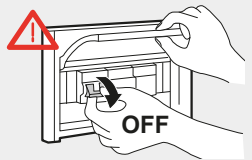
2



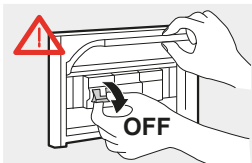
4



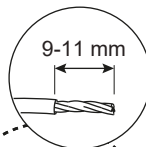
3a LED GU10



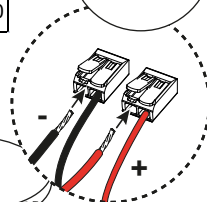
3b LED



L_{max} [m]	10	20	50
\varnothing_{min} [mm ²]	0,50	1,00	2,50



$L_{max} - \varnothing_{min}$

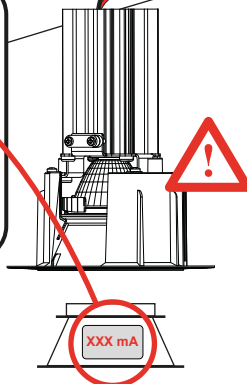
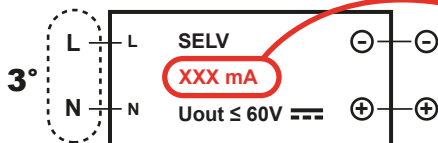


2°

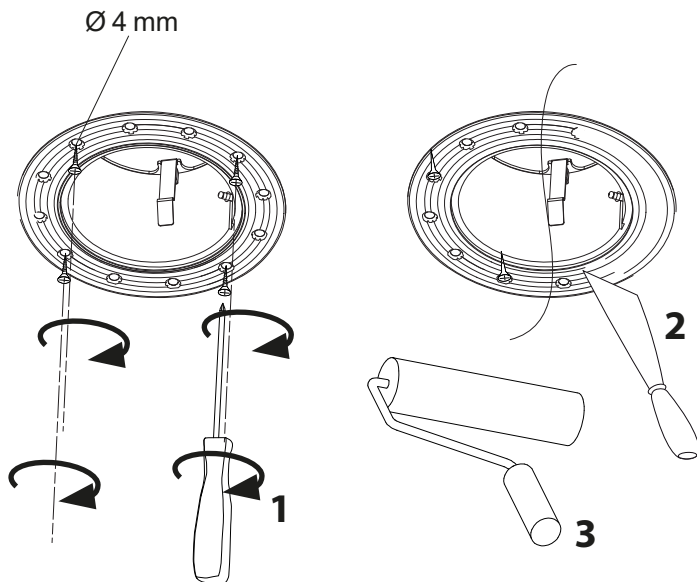


- ⊕ Rosso/Red/Rouge/Rojo/Rot
- ⊖ Nero/Black/Noir/Negro/Schwarz

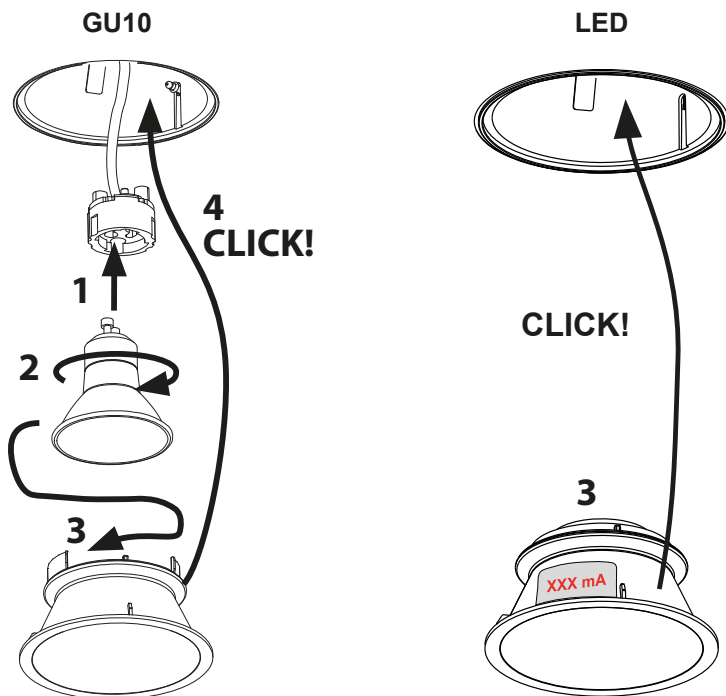
1°



4

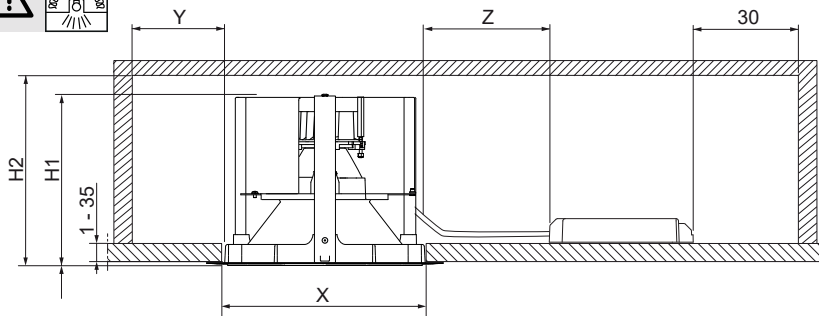


5



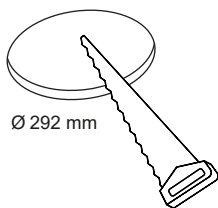


TAGORA RECESSED \varnothing 270



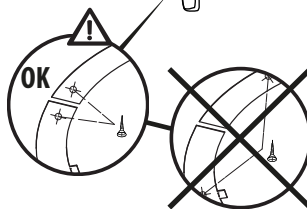
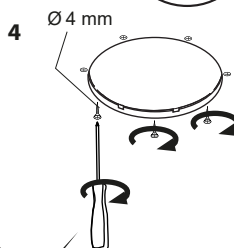
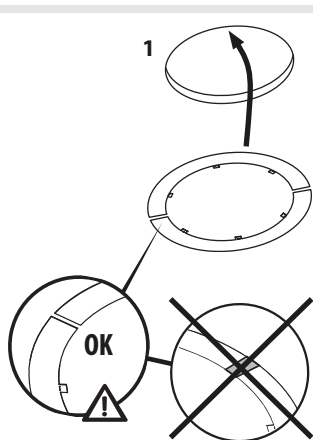
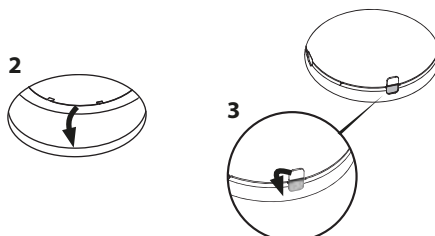
	X(mm)	Y(mm)	Z(mm)	H1(mm)	H2(mm)
LED	\varnothing 292	100	150	240	250

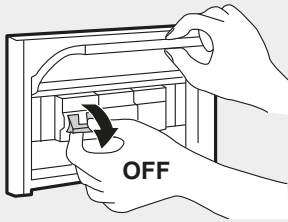
1



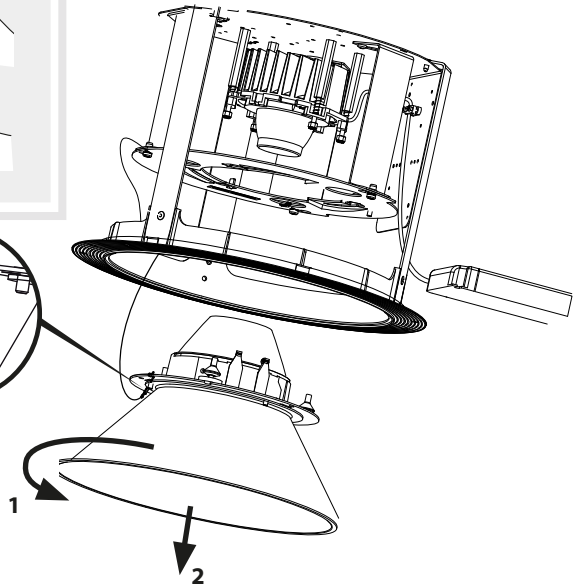
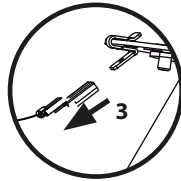
\varnothing 292 mm

2

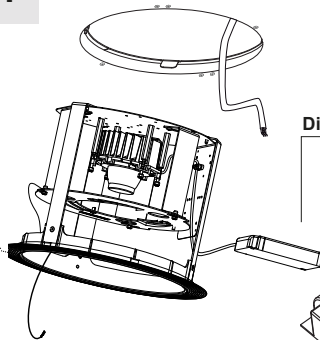




3

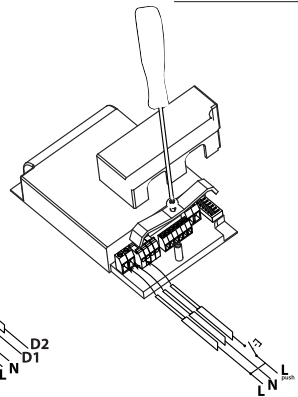
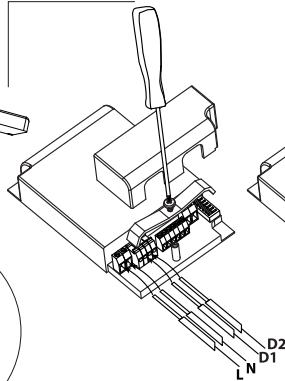
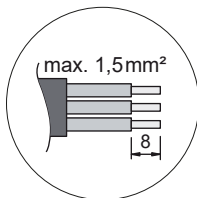


4

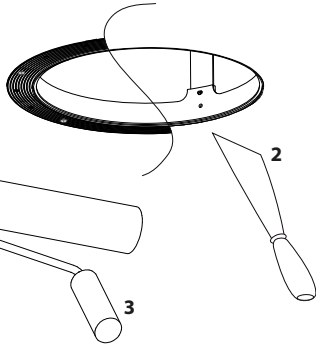
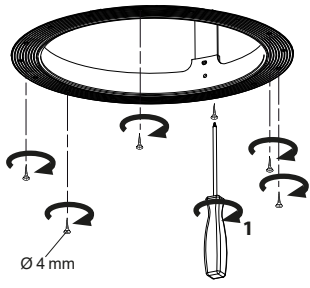


Dimmable DALI

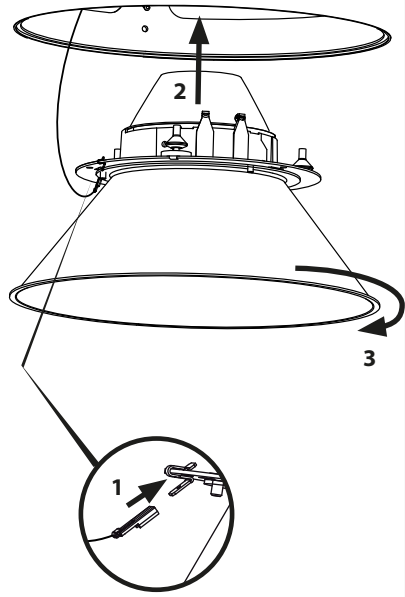
Dimmable SwitchDim



5

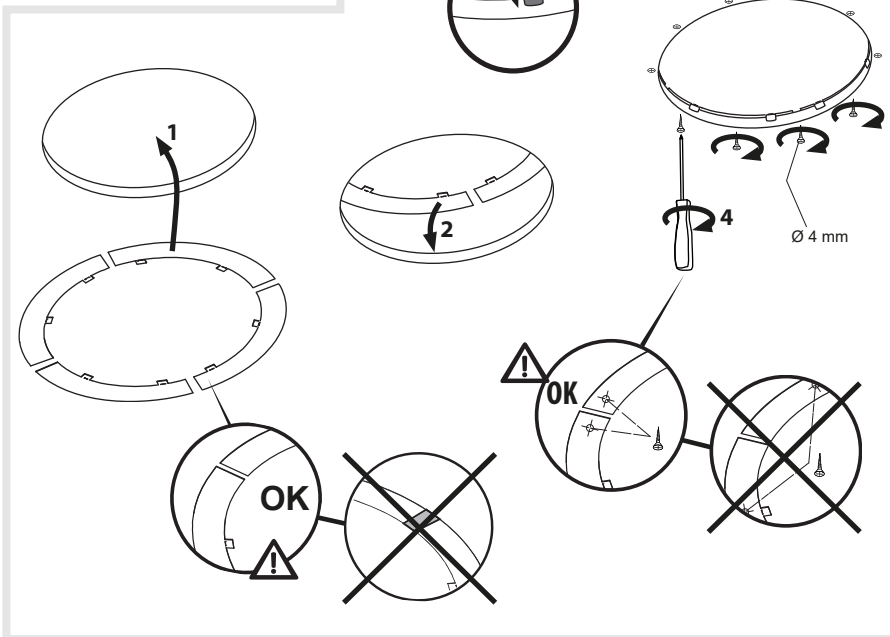
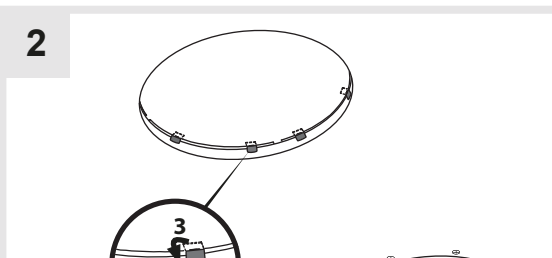
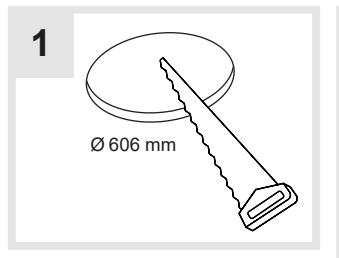
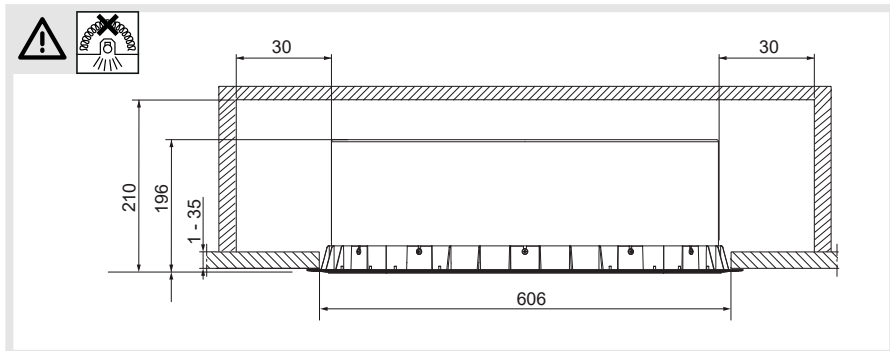


6

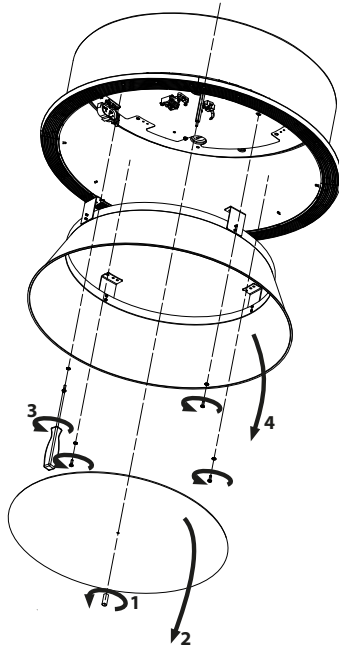




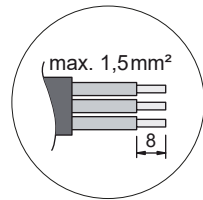
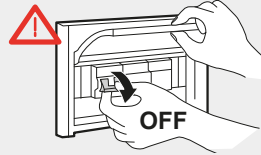
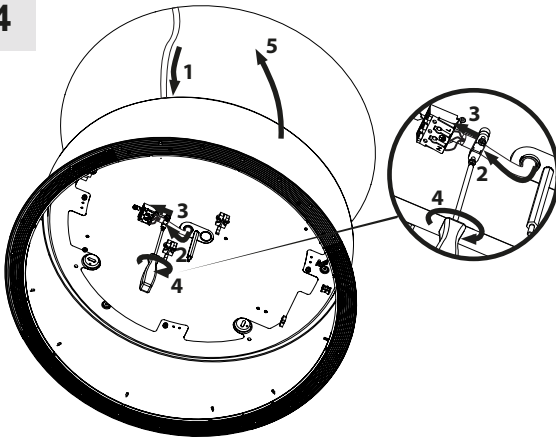
TAGORA RECESSED \varnothing 570



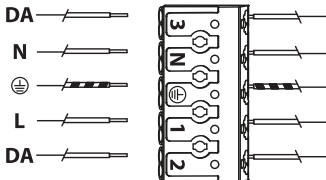
3



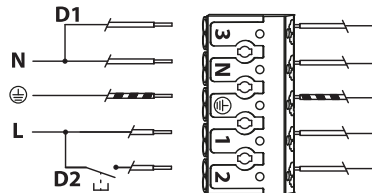
4



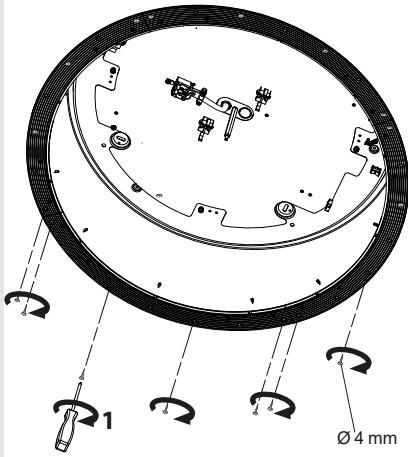
Dimmable Dali



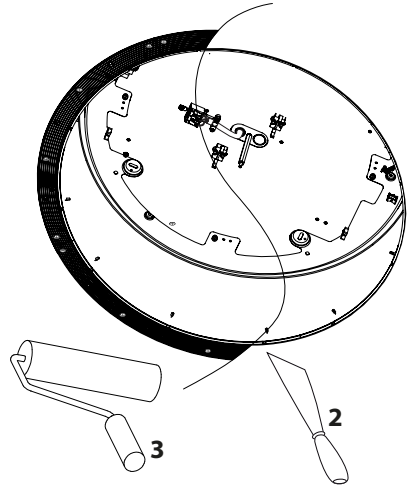
Dimmable SwitchDim



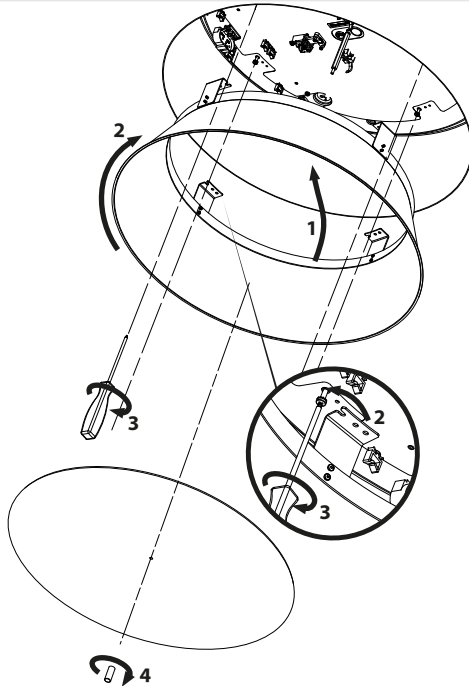
5



6

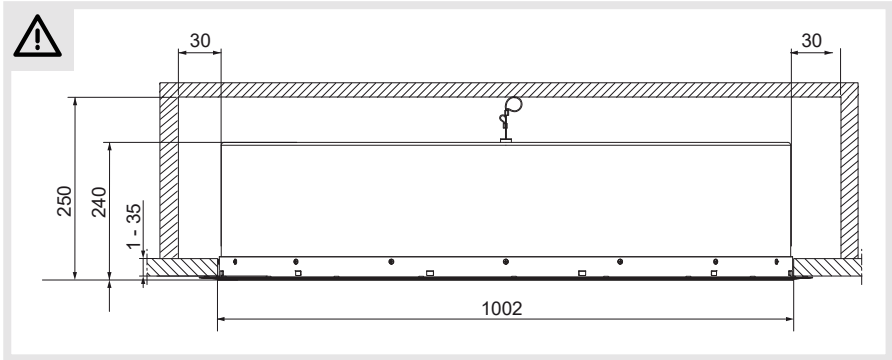


7

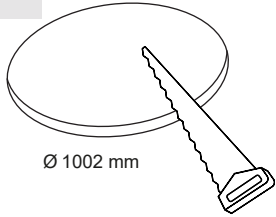




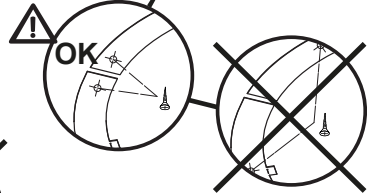
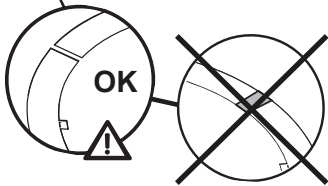
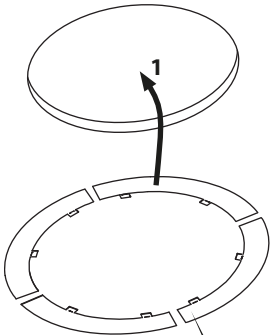
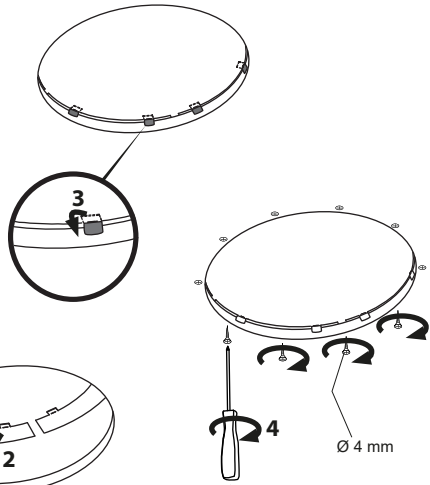
TAGORA RECESSED \varnothing 970

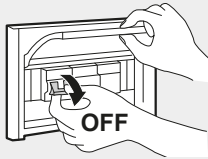


1

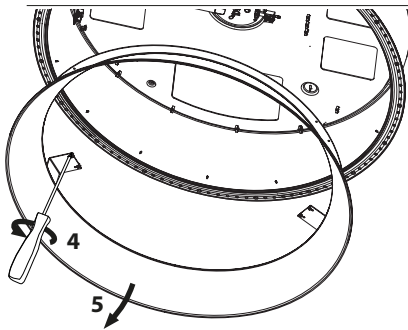
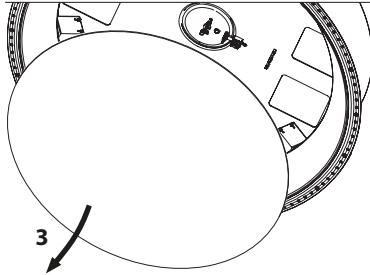
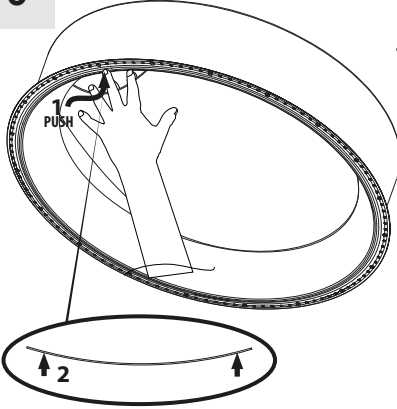


2

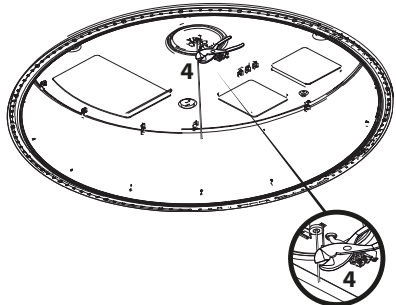
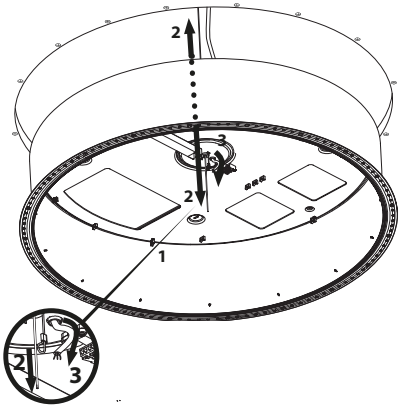
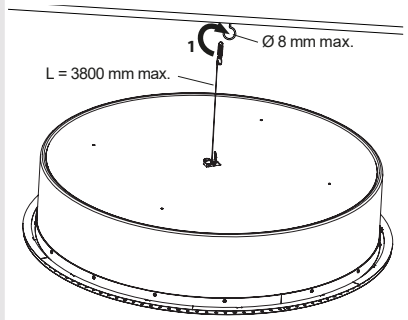




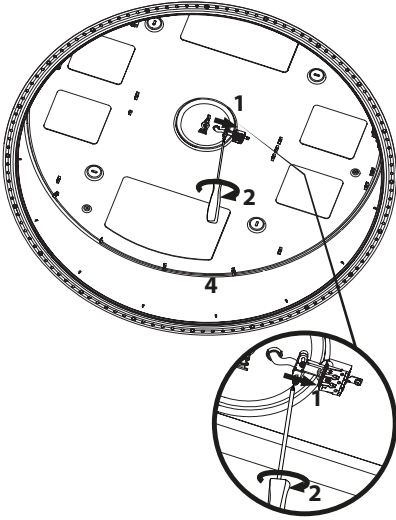
3



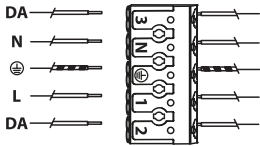
4



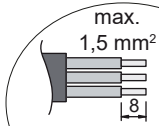
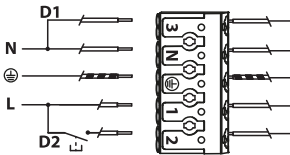
5



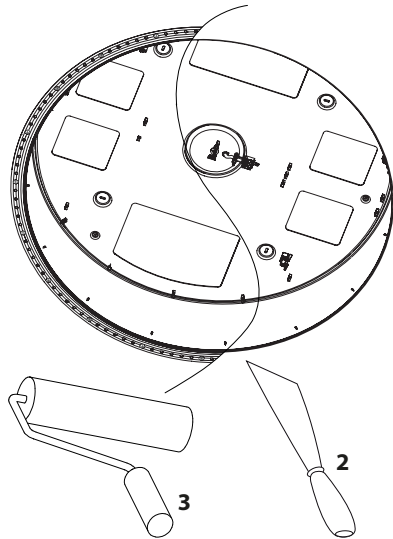
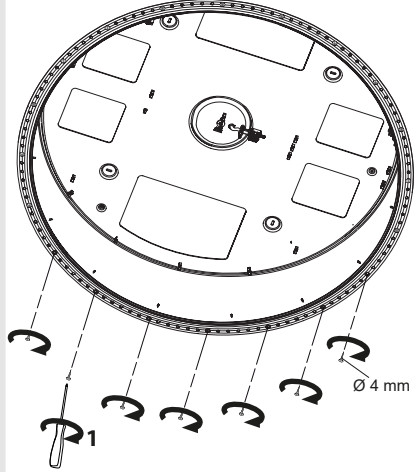
Dimmable Dali

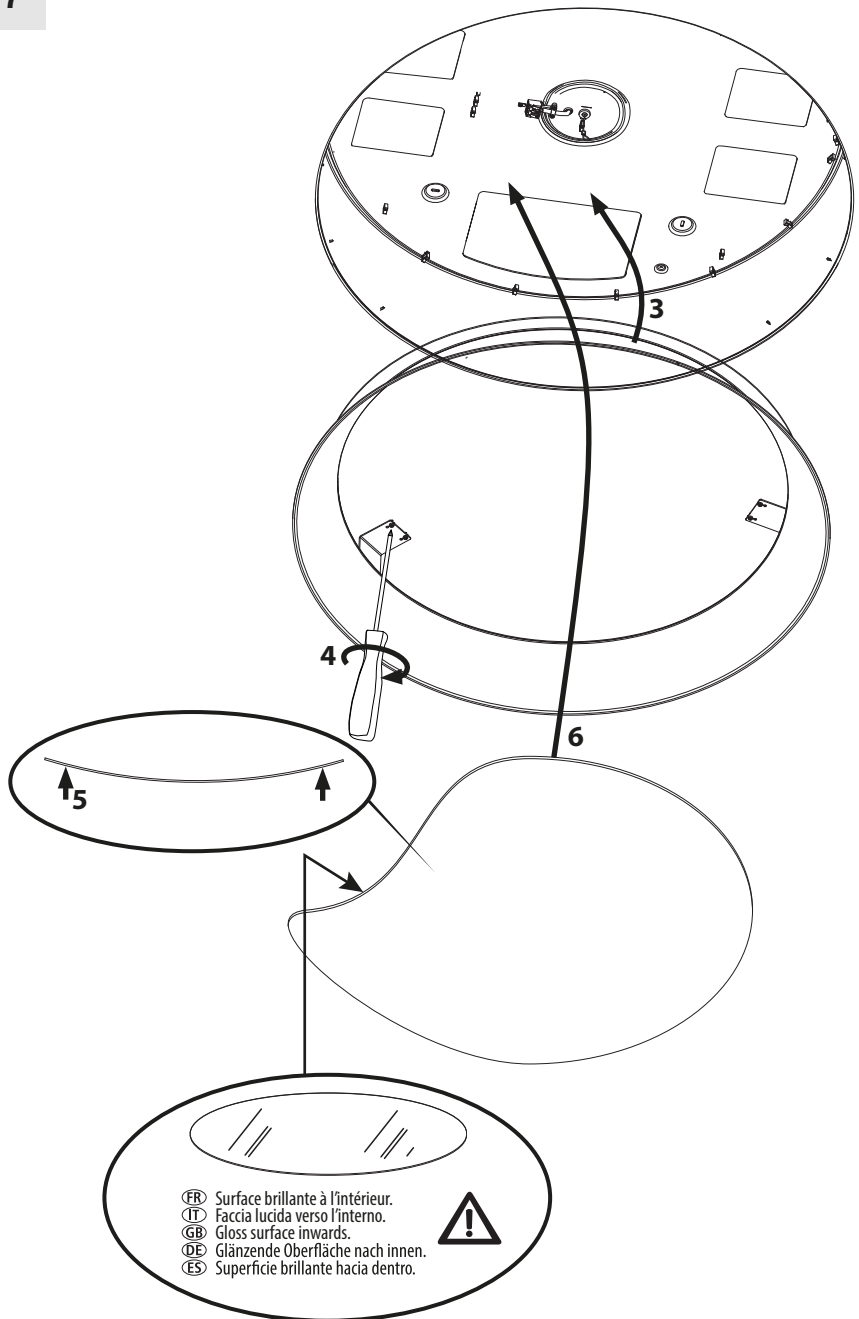


Dimmable SwitchDim



6





Artemide[®]
ARCHITECTURAL



Artemide Spa

via Bergamo, 18
20006 Pregnana M.se (MI)
ITALIA

Tel. +39 02 935 181
Fax +39 02 935 90 254
Fax +39 02 935 90 496

www.artemide.com

VAT IT00846890150

cod. Y503300175G