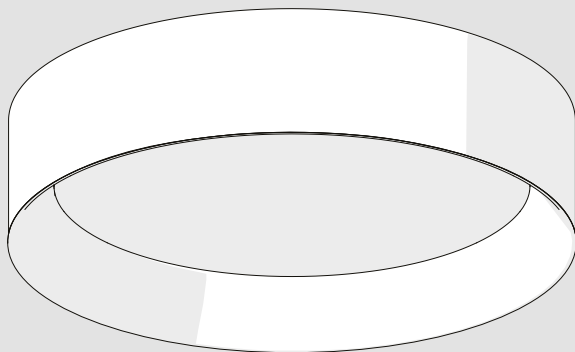
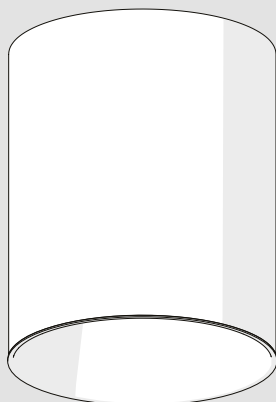
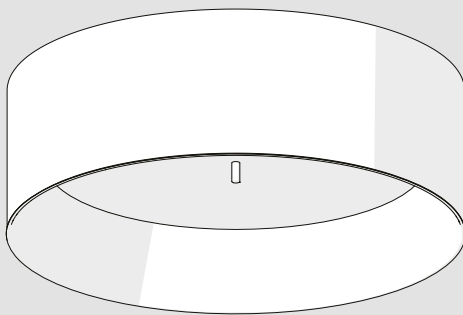
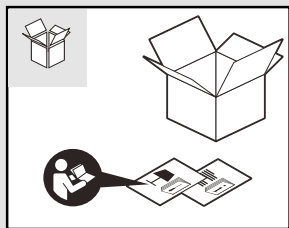


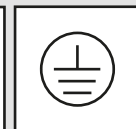
## TAGORA CEILING

design  
S./R. Cornelissen

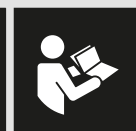
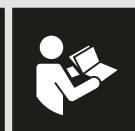
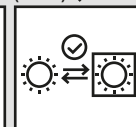
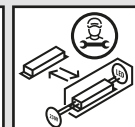
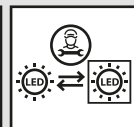




ONLY FOR  
TAGORA 570  
TAGORA 970 ↓



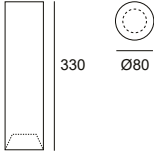
ONLY FOR LED  
(GU10) ↓


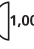


\*GWFI = Glow Wire Flammability Index

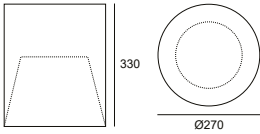


**TAGORA CEILING ø 80**



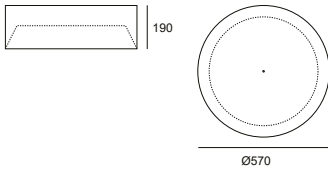
<b>IP20</b>	<b>LED1</b>	LED	3000K	flood	
				wide flood	
<b>GWFI*</b> 960°C	LED (GU10)		1,00 m 	4000K	flood
					wide flood
					very wide flood
LED (GU10) 220-240V, max 8W Max overall length: 81 mm					

**TAGORA CEILING ø 270**



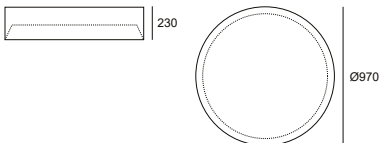
<b>IP20</b>	<b>GWFI*</b> 960°C	<b>LED1</b>	3000K	spot
				flood
			4000K	spot
				flood

**TAGORA CEILING ø 570**



<b>IP40</b>	<b>GWFI*</b> 650°C	<b>LED1</b>	3000K
			4000K

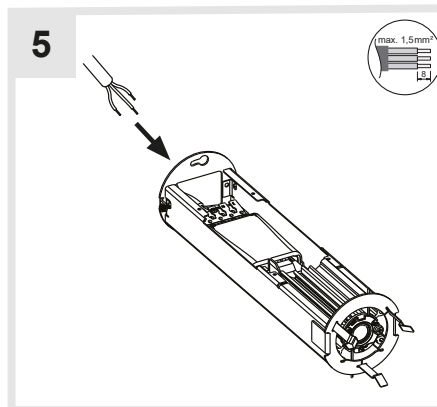
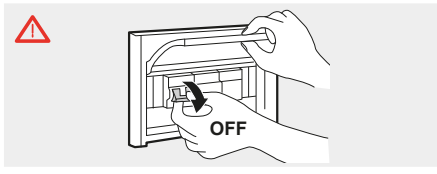
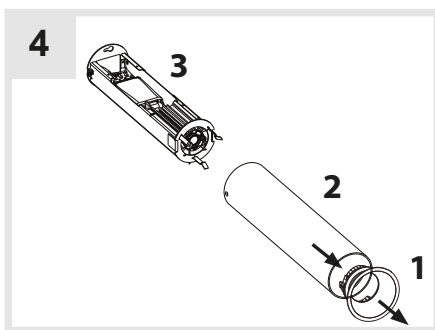
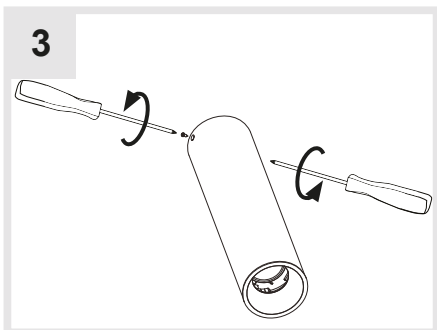
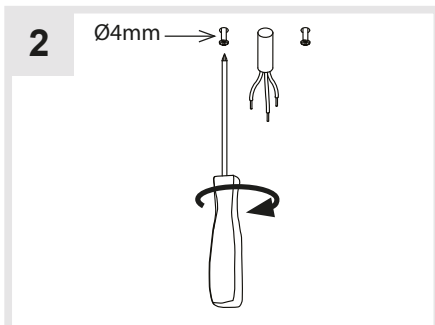
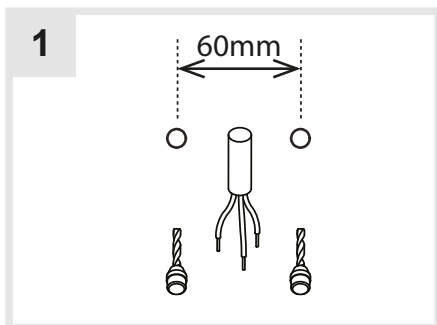
**TAGORA CEILING ø 970**



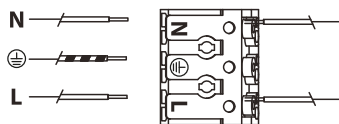
<b>IP40</b>	<b>GWFI*</b> 650°C	<b>LED1</b>	3000K
			4000K



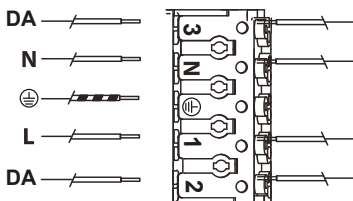
# TAGORA CEILING ø 80



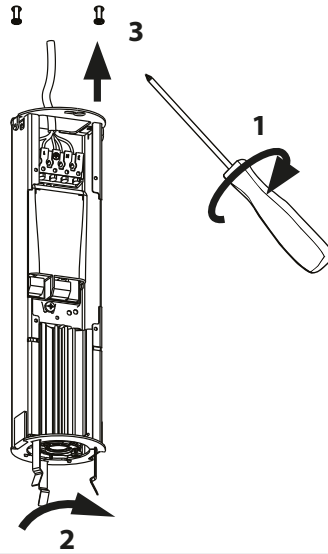
## Led Non Dimmable



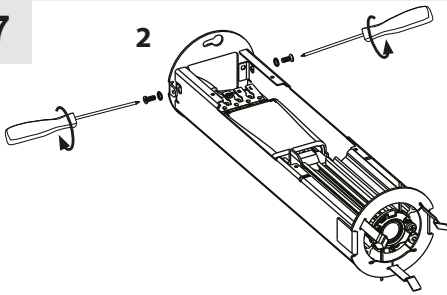
## Led Dimmable



6



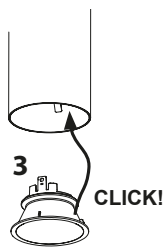
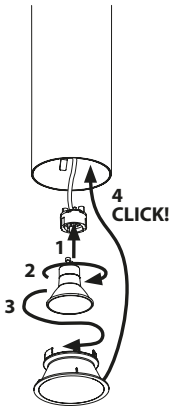
7



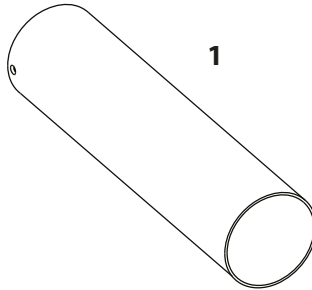
8

GU10

LED



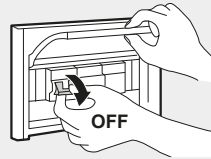
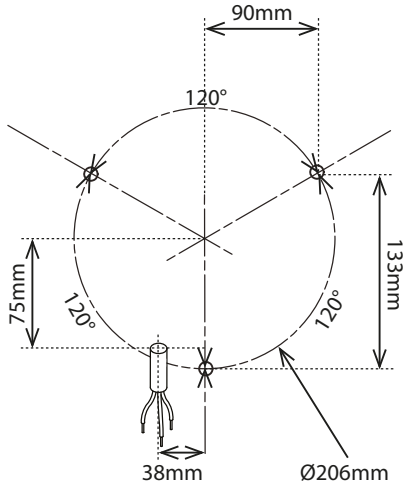
1



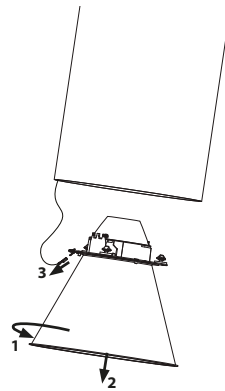


# TAGORA CEILING $\varnothing$ 270 LED

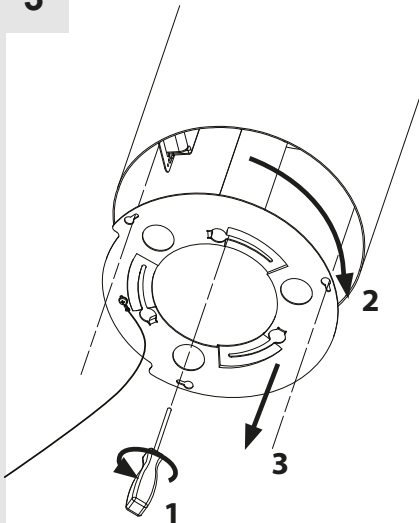
1



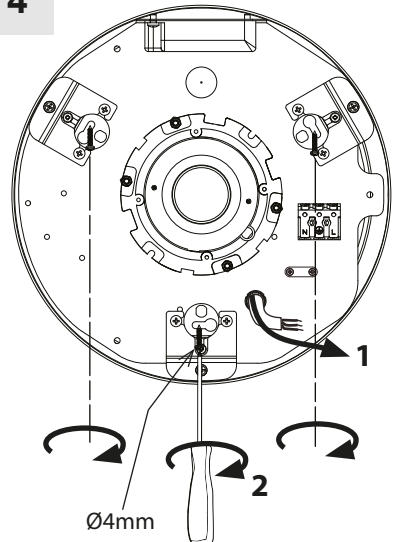
2



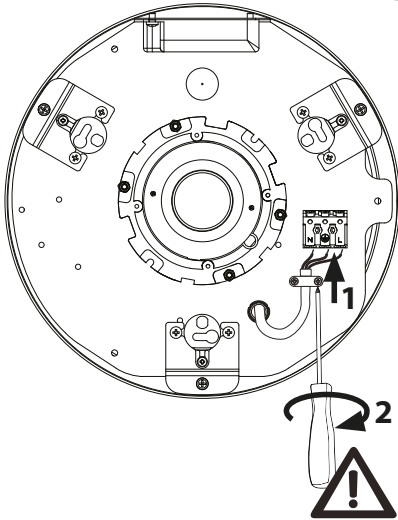
3



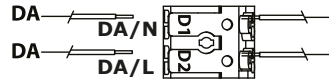
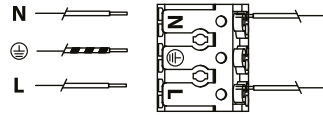
4



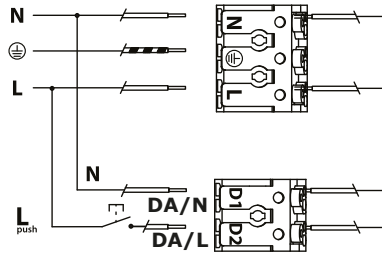
5



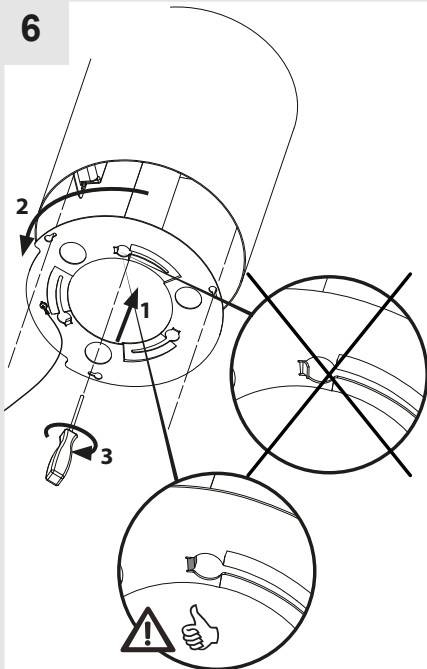
**Dimmable Dali**



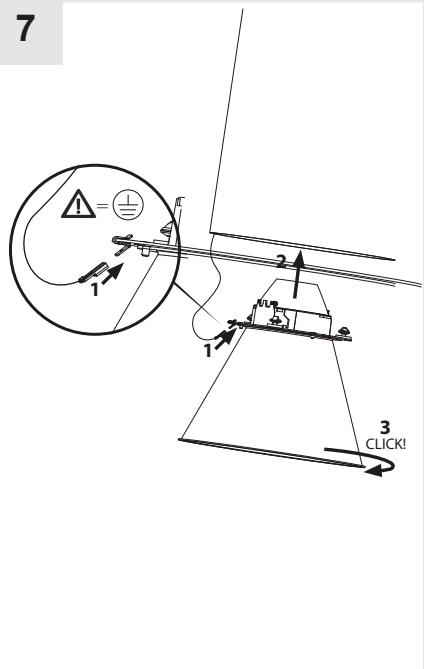
**Dimmable SwitchDim**



6



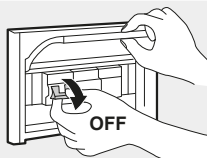
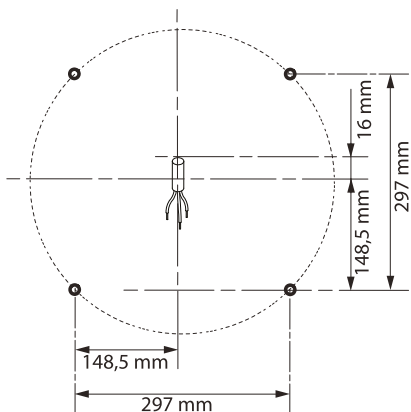
7





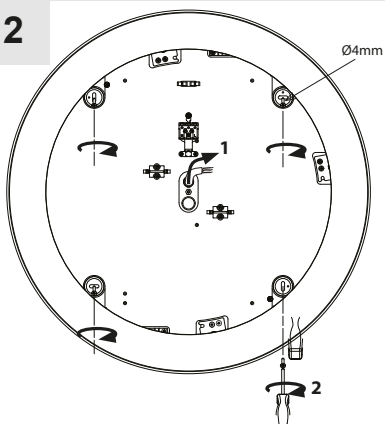
# TAGORA CEILING Ø 570 LED

1

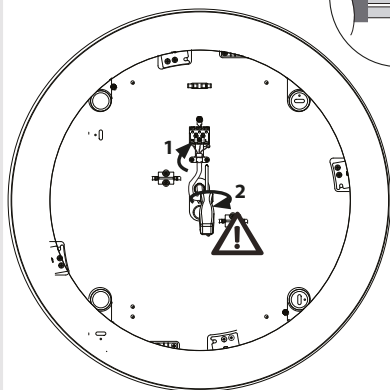


OFF

2



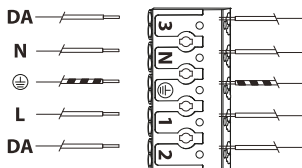
3



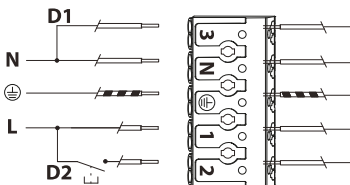
max. 1,5mm<sup>2</sup>



## Dimmable Dali

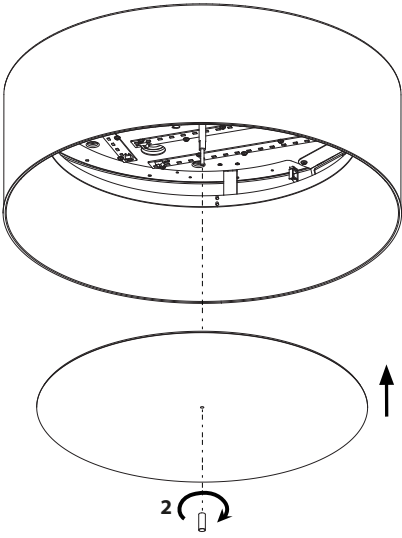


## Dimmable SwitchDim





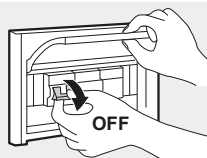
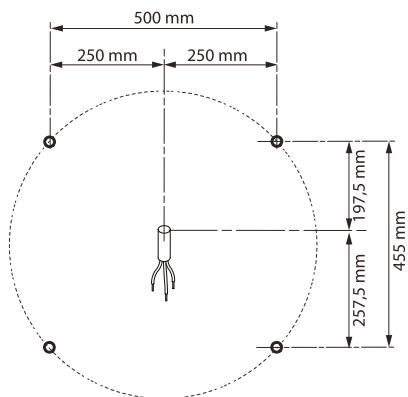
4



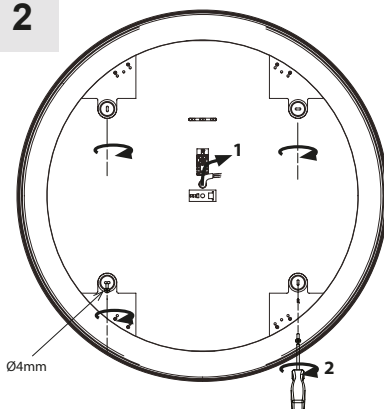


# TAGORA CEILING ø 970 LED

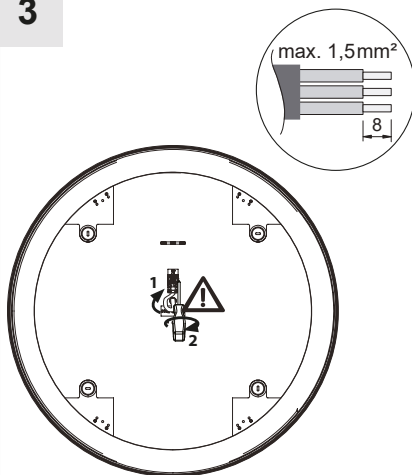
1



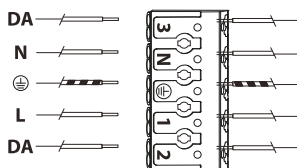
2



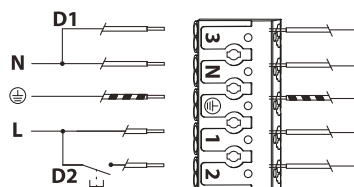
3

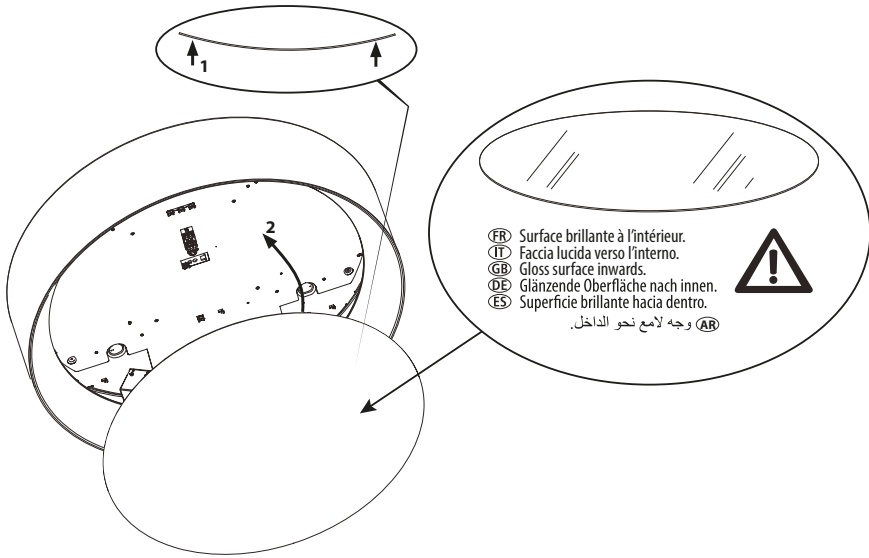


## Dimmable Dali



## Dimmable SwitchDim





**Artemide**<sup>®</sup>  
ARCHITECTURAL



## **Artemide Spa**

via Bergamo, 18  
20006 Pregnana M.se (MI)  
ITALIA

Tel. +39 02 935 181  
Fax +39 02 935 90 254  
Fax +39 02 935 90 496

[www.artemide.com](http://www.artemide.com)

VAT IT00846890150

cod. Y503300134J