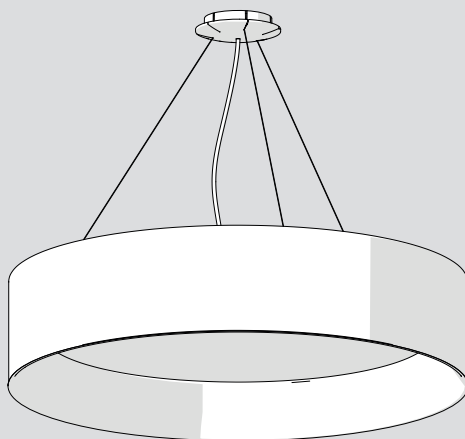
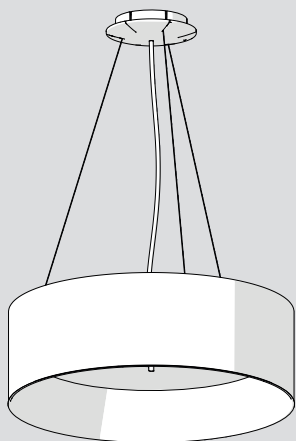
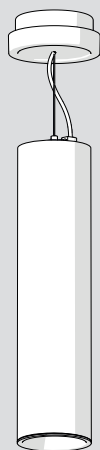
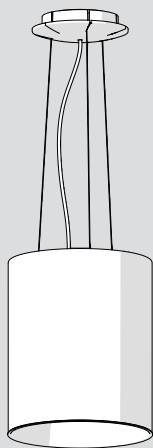
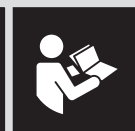
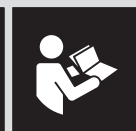
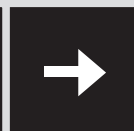
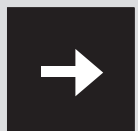
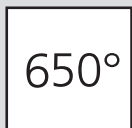
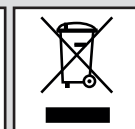
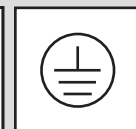
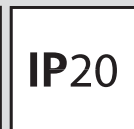
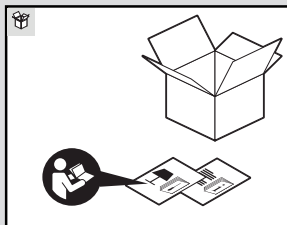


TAGORA SUSPENSION

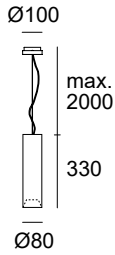
design
S./R. Cornelissen





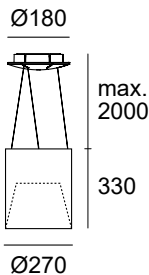


TAGORA SUSPENSION Ø 80



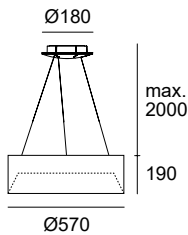
IP20	LED 1			LED	3000K	flood
						wide flood
960°	LED (GU10)			LED (GU10) 220-240V max 8 W	4000K	very wide flood
						flood
						wide flood
						very wide flood

TAGORA SUSPENSION Ø 270



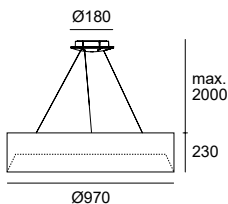
IP20	LED 1			LED dimmable Dali-SwitchDim	3000K	spot
						flood
650°				TC-DEL (G24q-3) 2 x 26 W	4000K	spot
						flood
				TC-DEL (G24q-3) 2 x 26 W		non dimmable
				TC-TEL (G14q-1) 2 x 14 W		dimmable Dali-SwitchDim
				TC-TEL (G14q-1) 2 x 14 W		non dimmable
						dimmable Dali-SwitchDim

TAGORA SUSPENSION Ø 570



IP20	LED 1			LED direct
				LED direct+indirect
650°				TC-LEL (2G11) 4 x 36 W

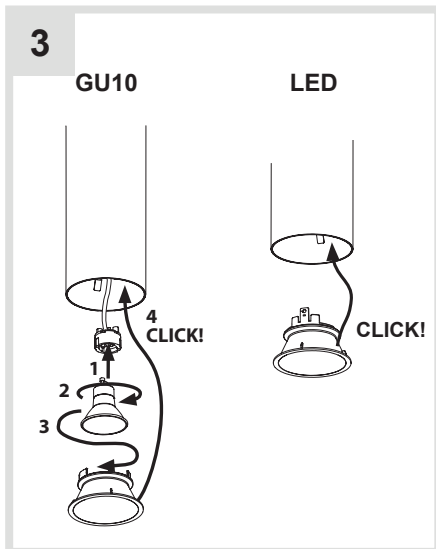
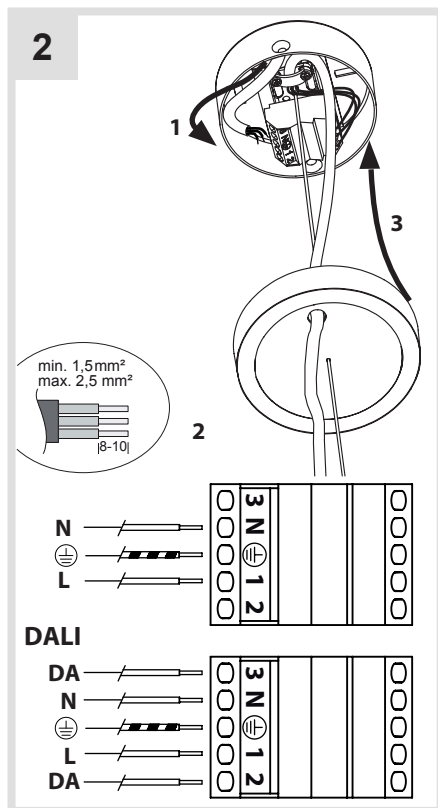
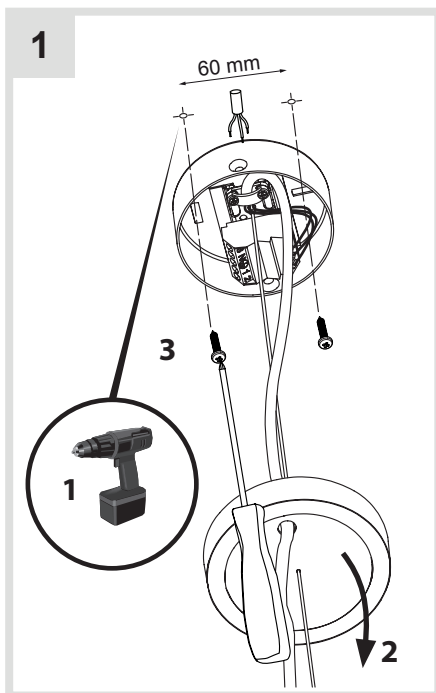
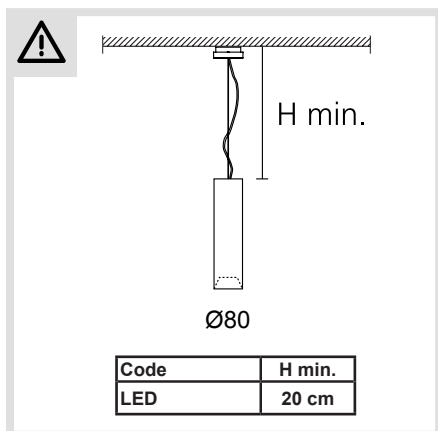
TAGORA SUSPENSION Ø 970



IP20	LED 1			LED direct
				LED direct+indirect
650°				T16 (G5) 4 x 24 W + 4 x 39 W

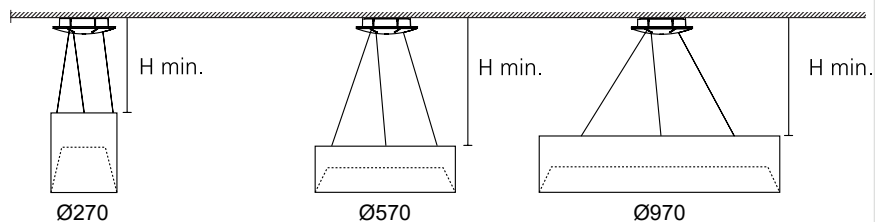


TAGORA SUSPENSION Ø 80





TAGORA SUSPENSION \varnothing 270 - \varnothing 570 - \varnothing 970

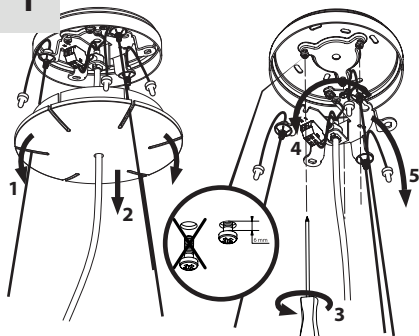


Code	H min.
LED	20 cm
TC-DEL/TC-TEL	10 cm

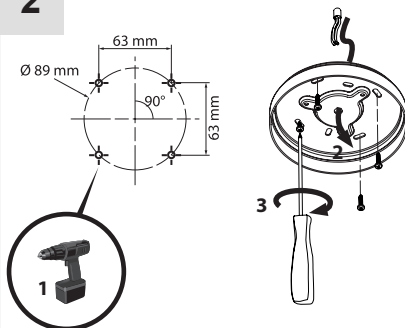
Code	H min.
LED	20 cm
TC-LEL	10 cm

Code	H min.
LED	20 cm
T16L	10 cm

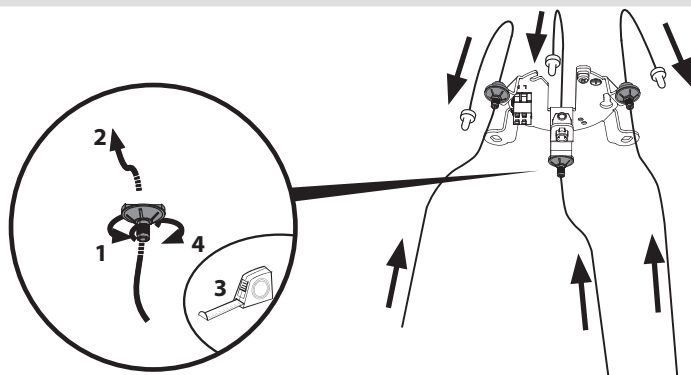
1



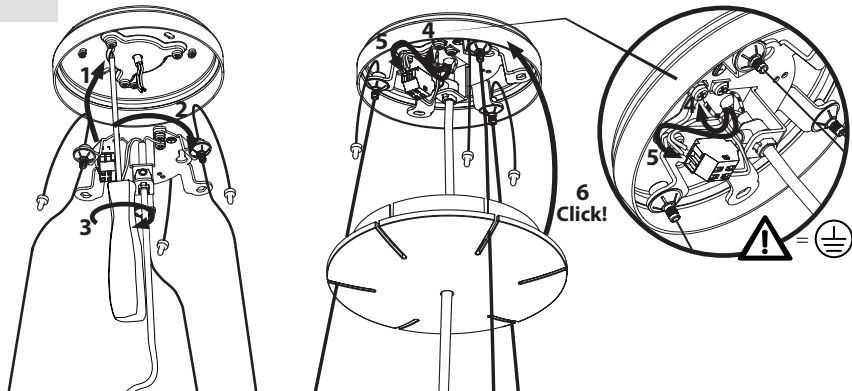
2



3



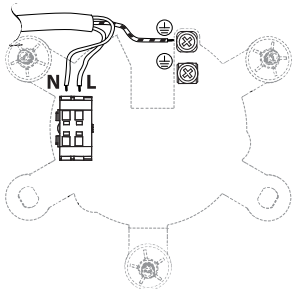
4



5a

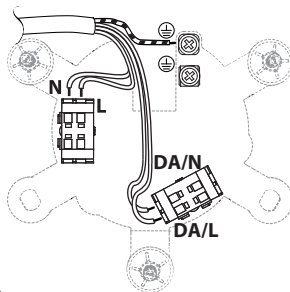
TAGORA 270/570/970 FLUO
TAGORA 270 HIT
 non dimmable / not dimmable

- (FR) Câble d'installation.
- (IT) Cavo di installazione.
- (GB) Installation cable.
- (DE) Installationskabel.
- (ES) Cable de instalación.



5b

TAGORA A 270/570/970 FLUO
TAGORA 270/570/970 LED
 dimmable Dali / Dali dimmable

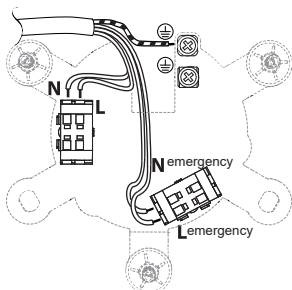


min. 1,5 mm² -
 max. 2,5 mm²



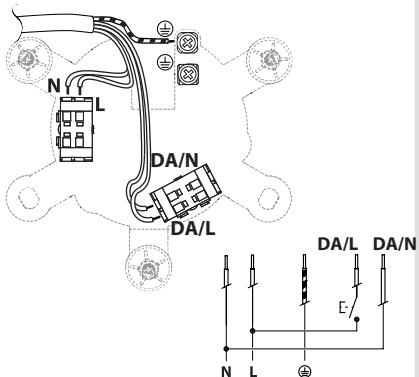
5c

TAGORA 570 FLUO
 non dimmable + Secours 1 h /
 not dimmable + Emergency 1 h



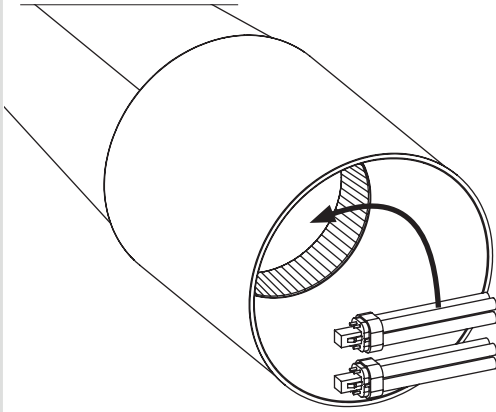
5d

TAGORA 270/570/970 FLUO
TAGORA 270 LED
 dimmable SwitchDim /
 SwitchDim dimmable



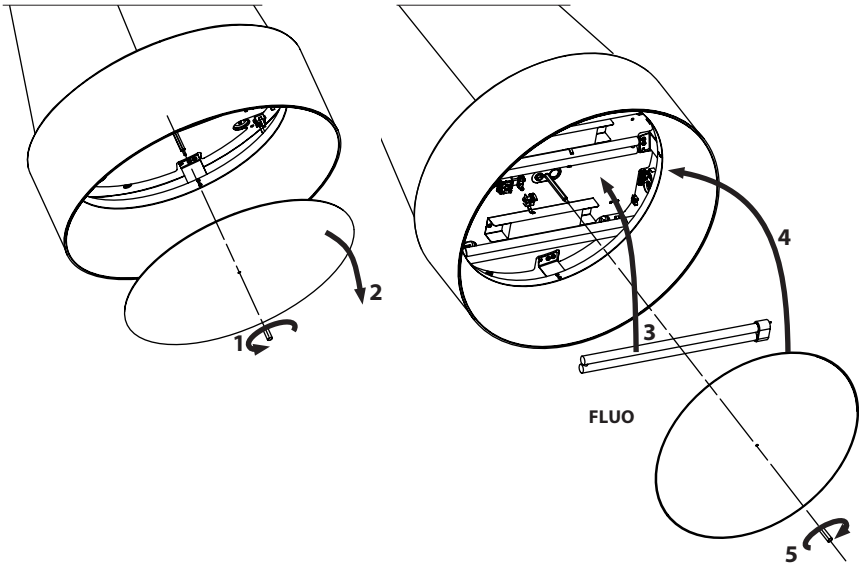
6

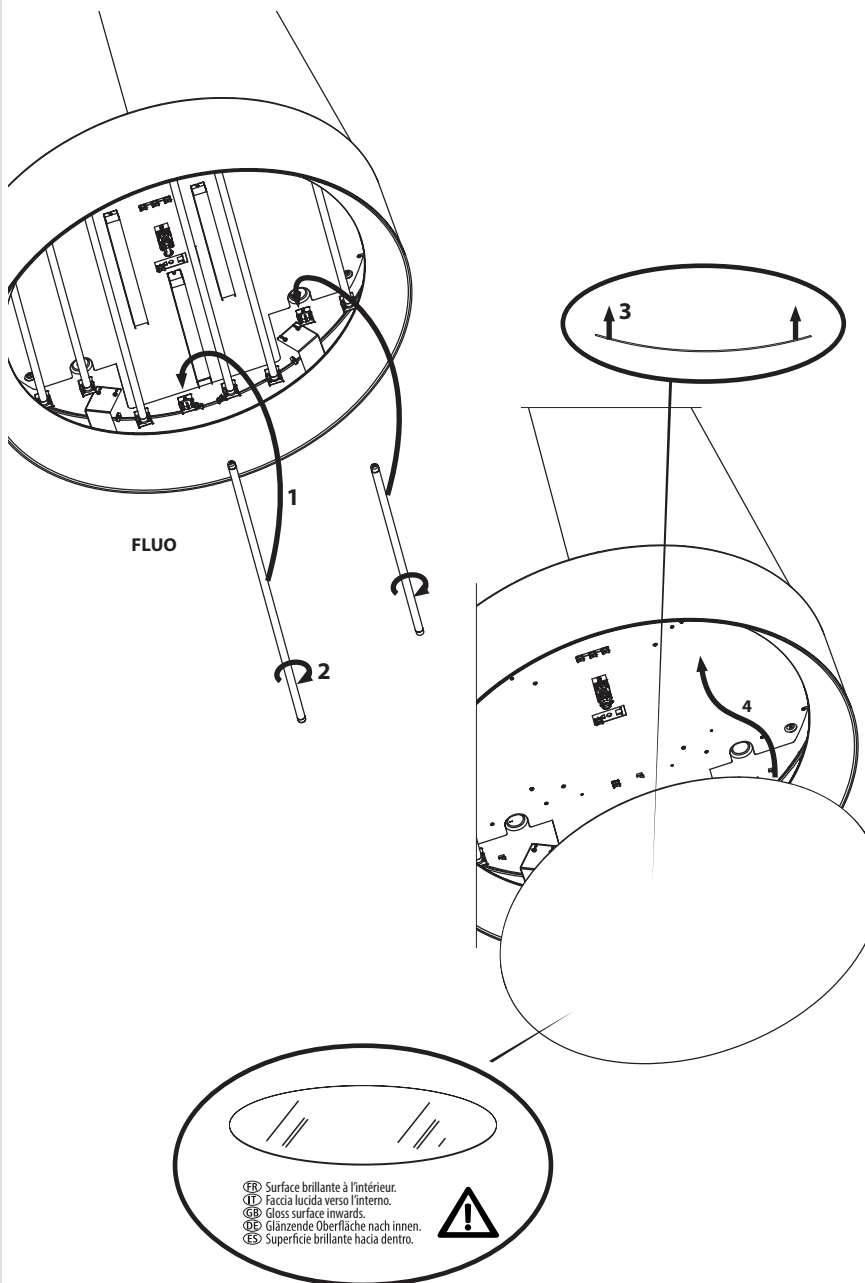
TAGORA 270 FLUO
(TC-DEL/TC-TEL)



7

TAGORA 570











Artemide[®]
ARCHITECTURAL



Artemide Spa

via Bergamo, 18
20010 Pregnana M.se (MI)
ITALIA

Tel. +39 02 935 181
Fax +39 02 935 90 254
Fax +39 02 935 90 496

www.artemide.com

VAT IT00846890150

cod. Y503300174#I=F