

Artemide®

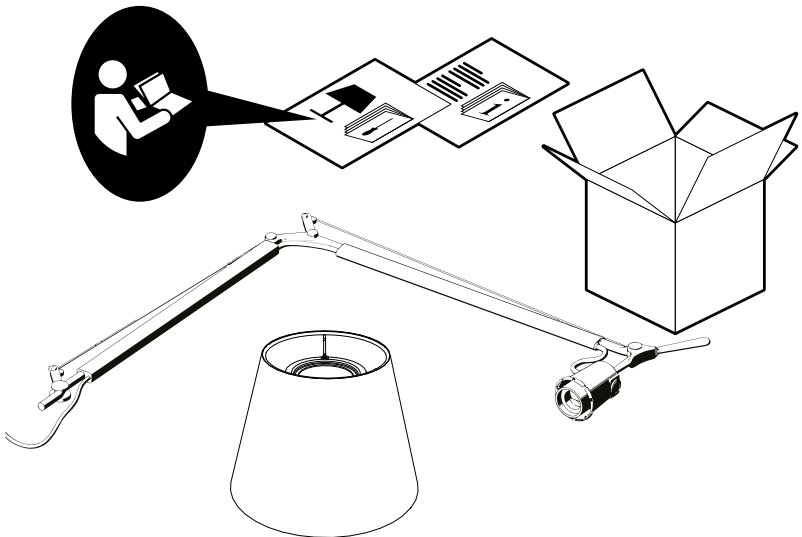
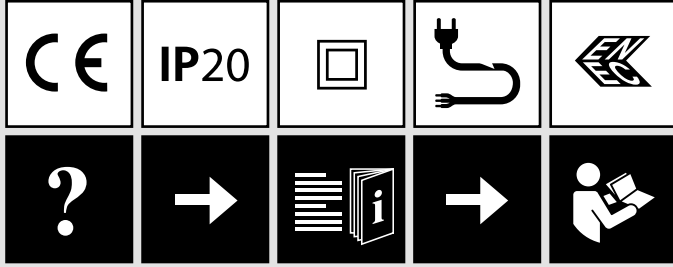
Tolomeo Diffusore Basculante

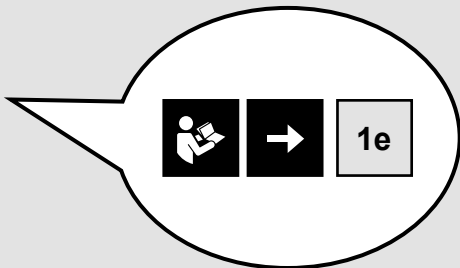
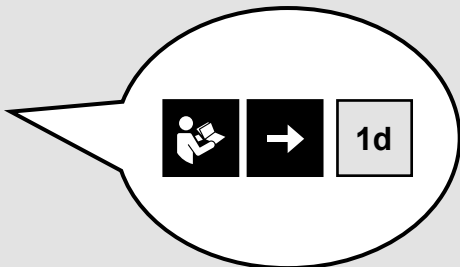
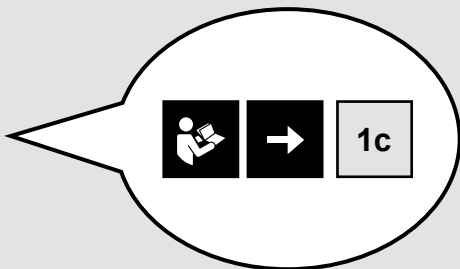
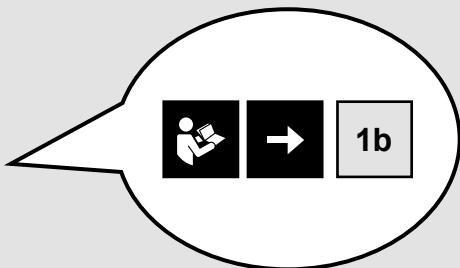
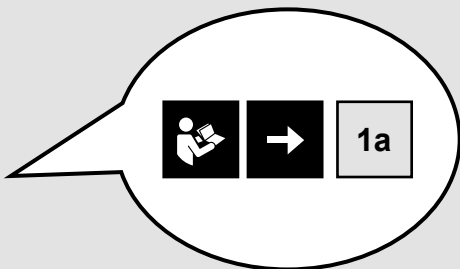
design
M. De Lucchi
G. Fassina



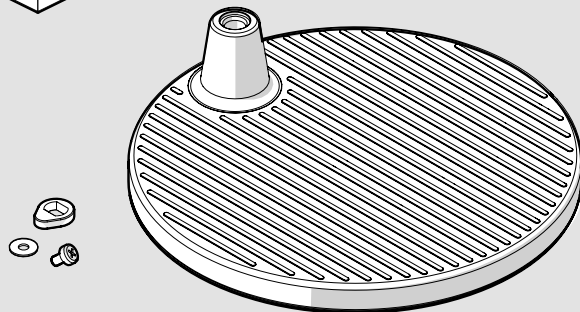


i

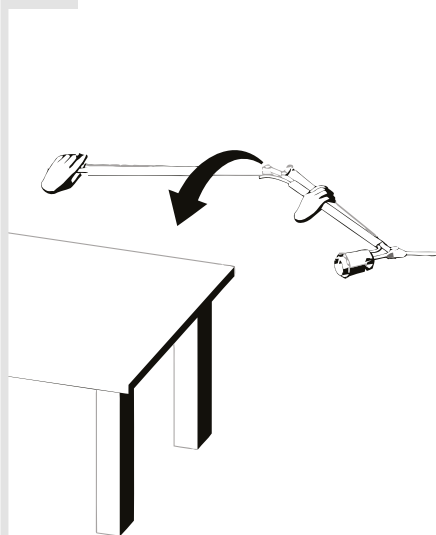




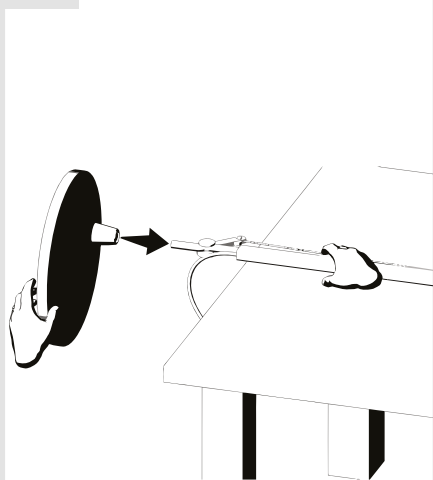
i



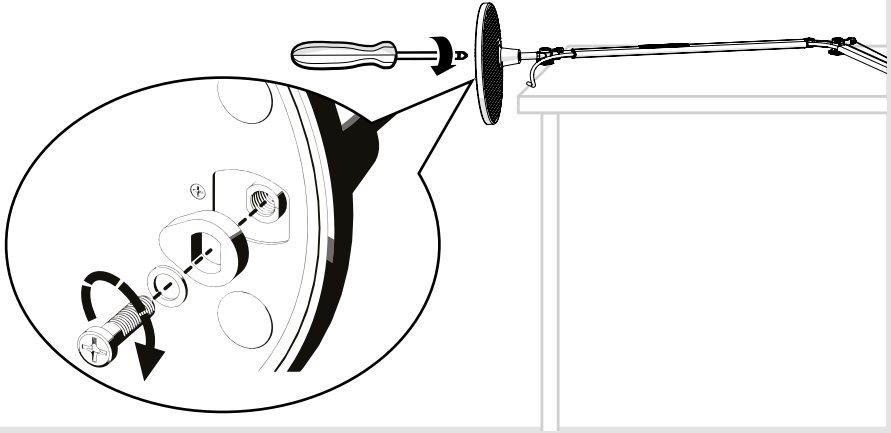
1a



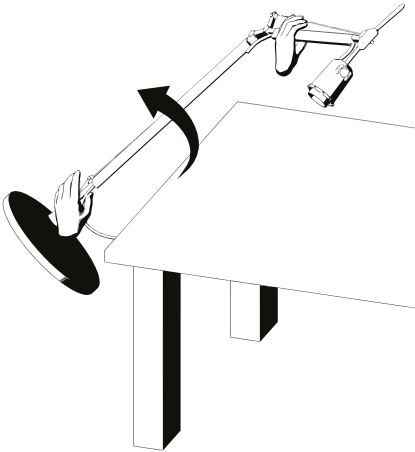
2a



3a

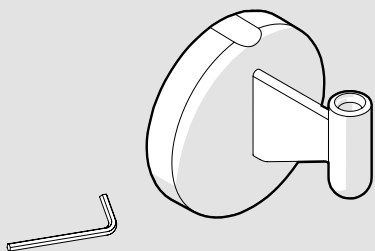


4a

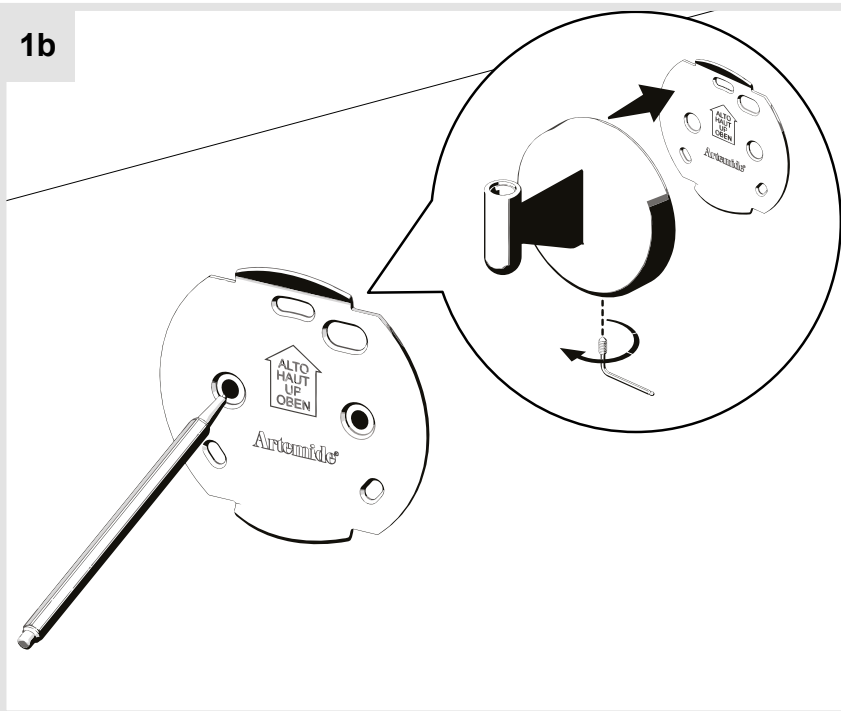


5

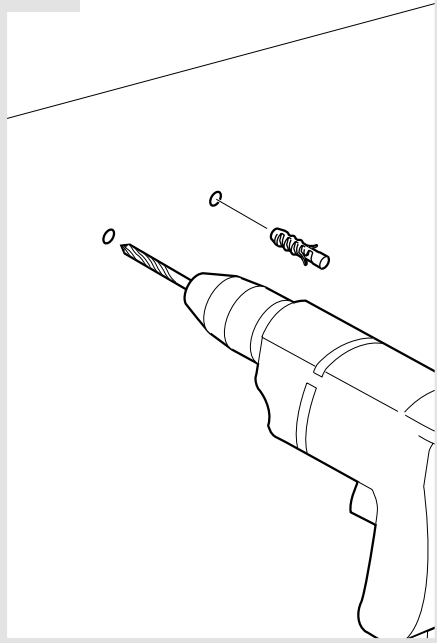
i



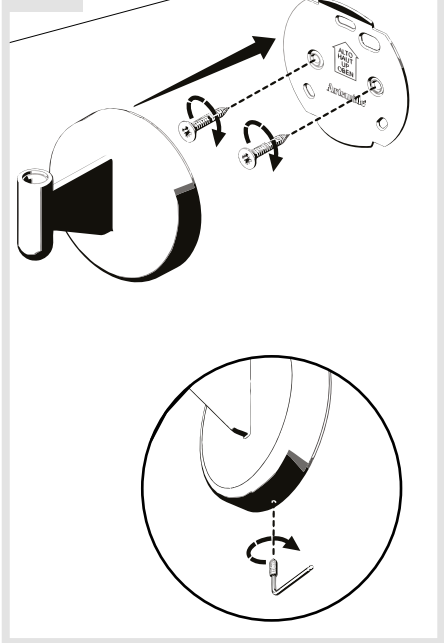
1b



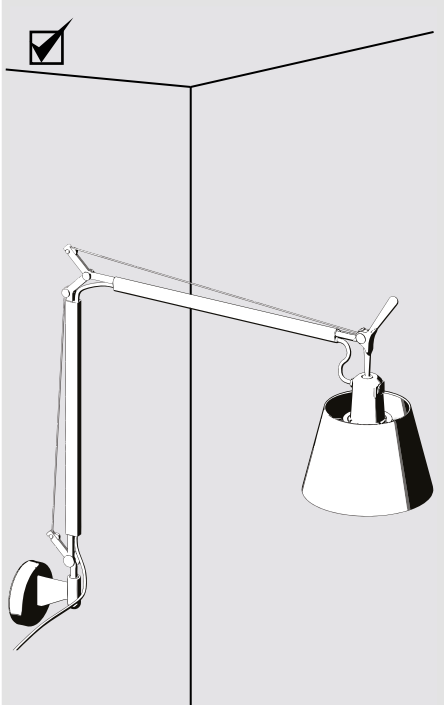
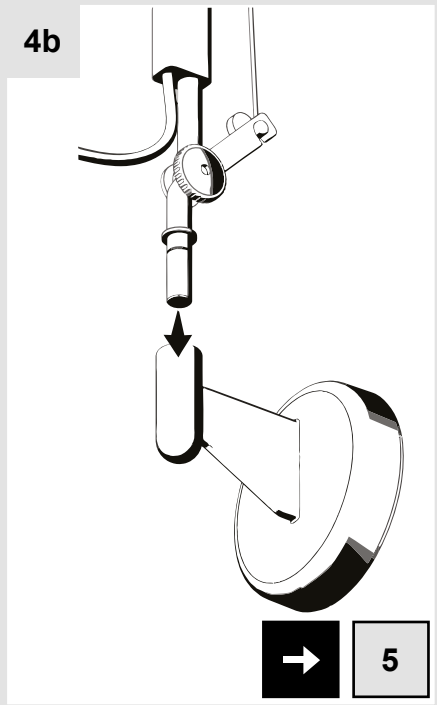
2b



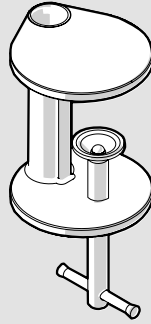
3b



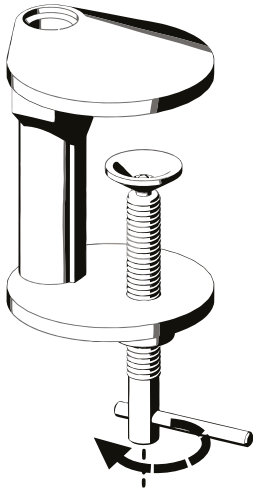
4b



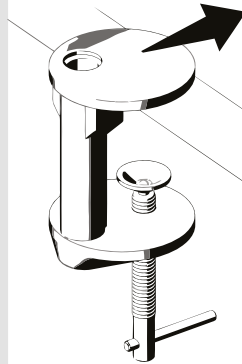
i



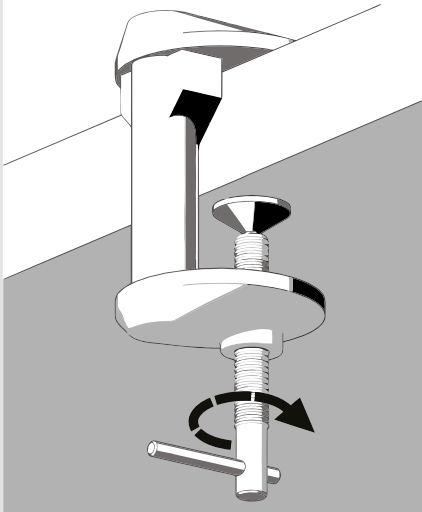
1c



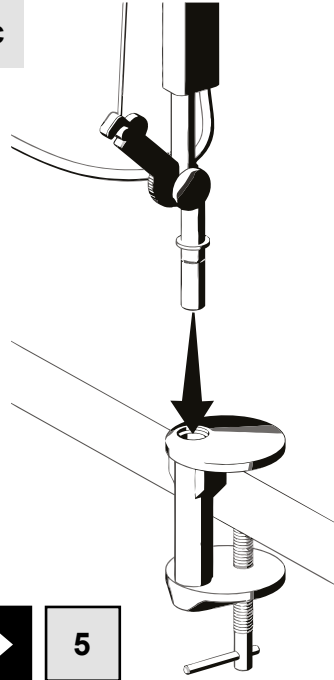
2c



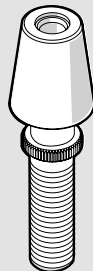
3c



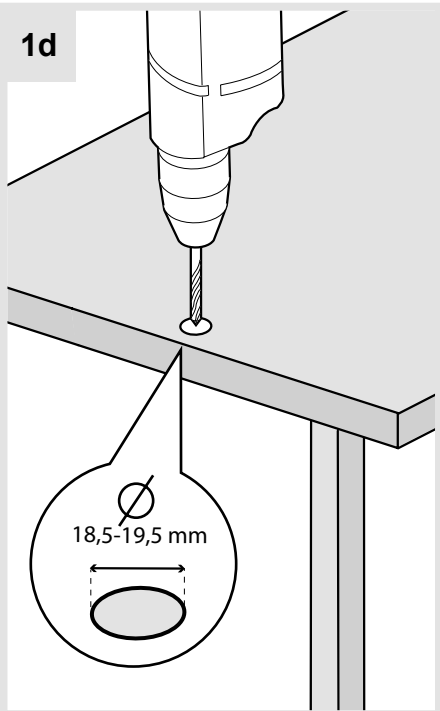
4c



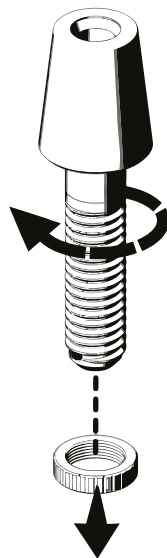
i



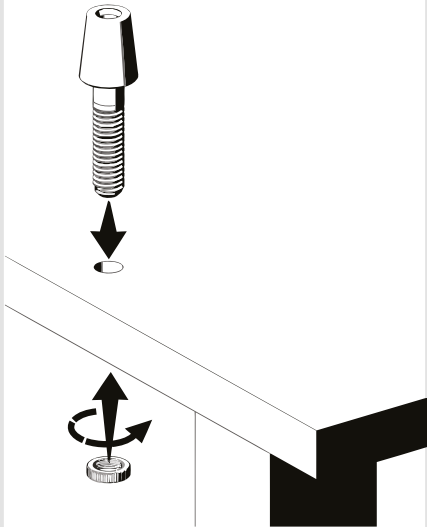
1d



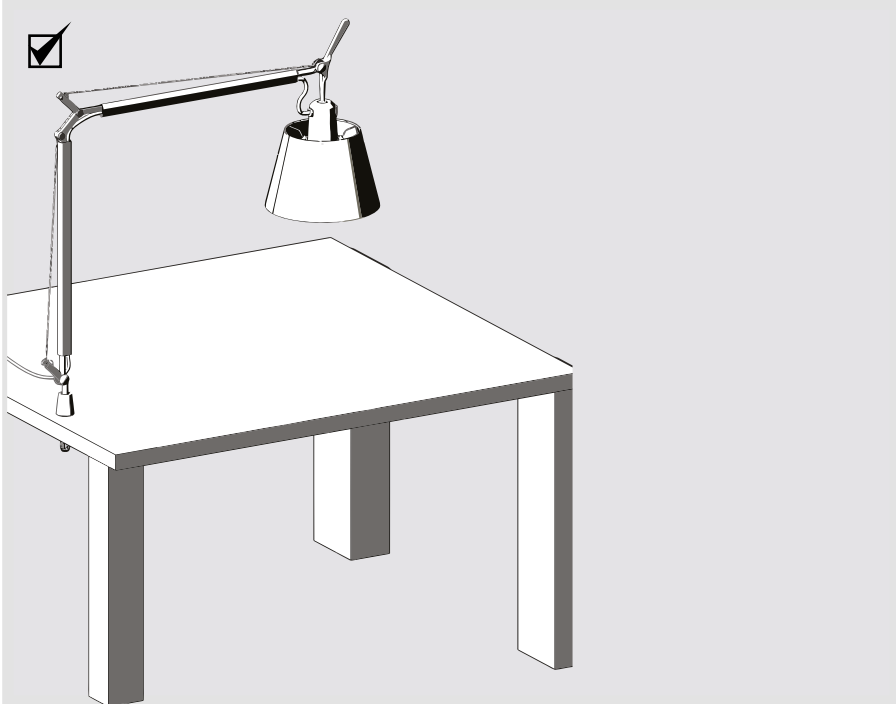
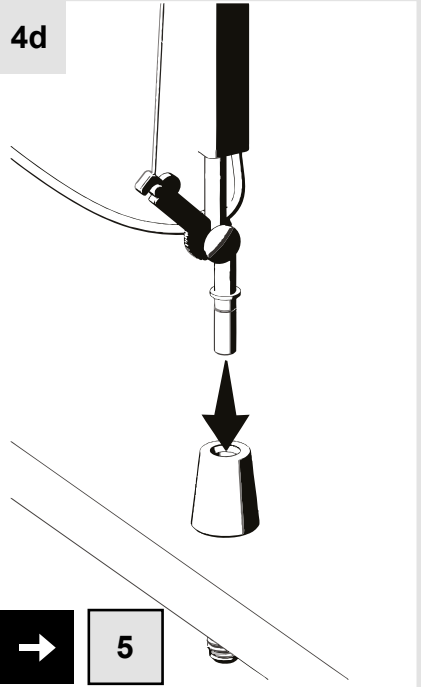
2d



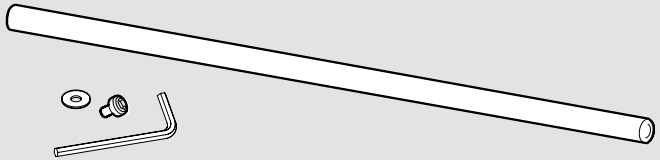
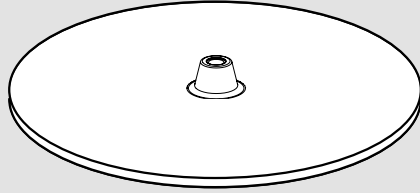
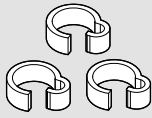
3d



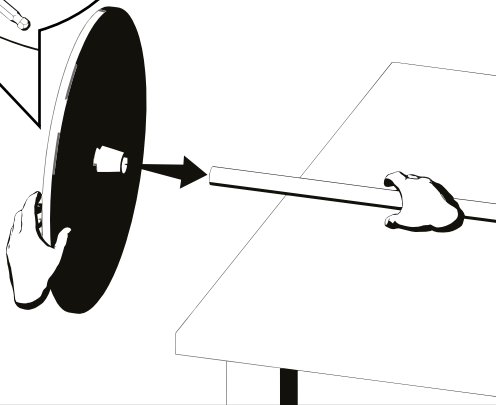
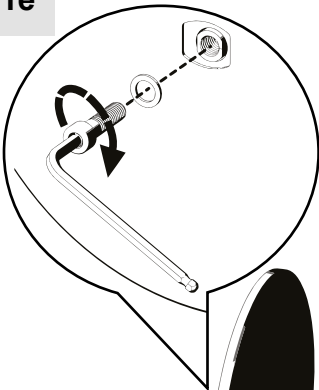
4d



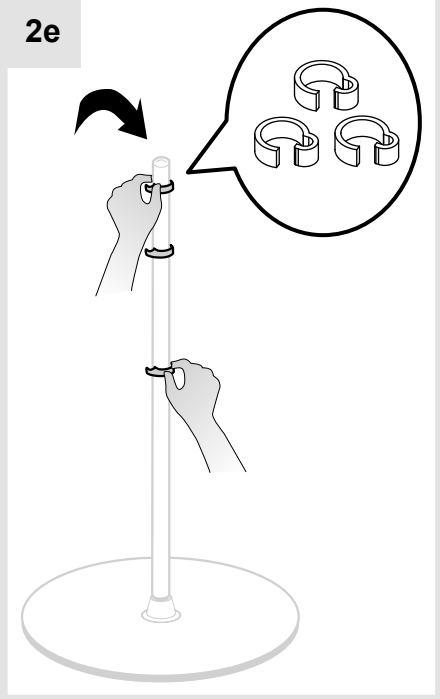
i



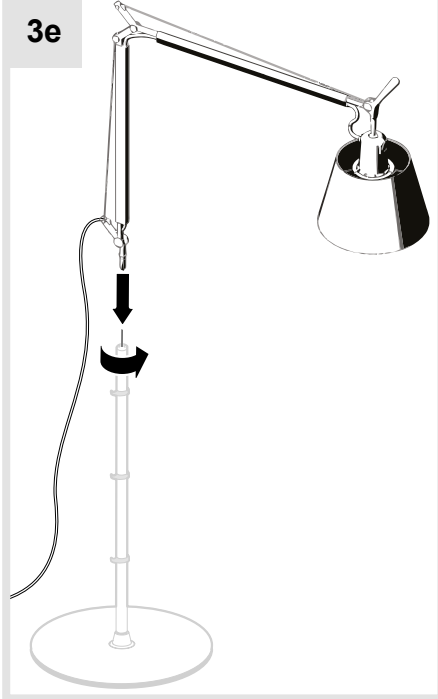
1e



2e



3e



4e

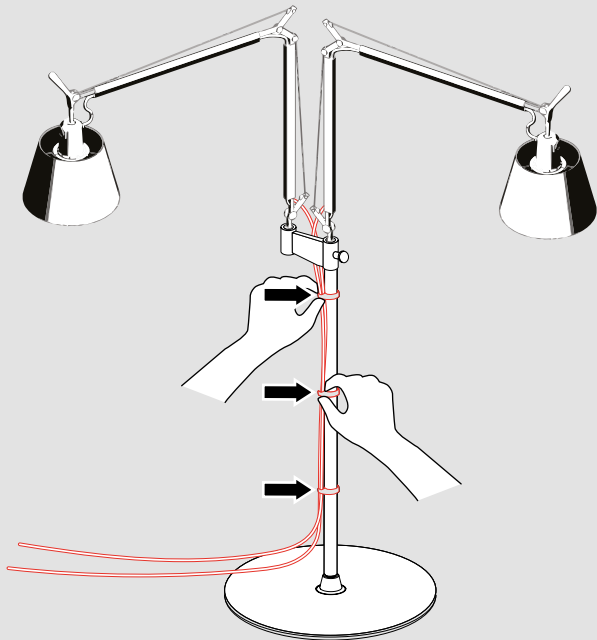
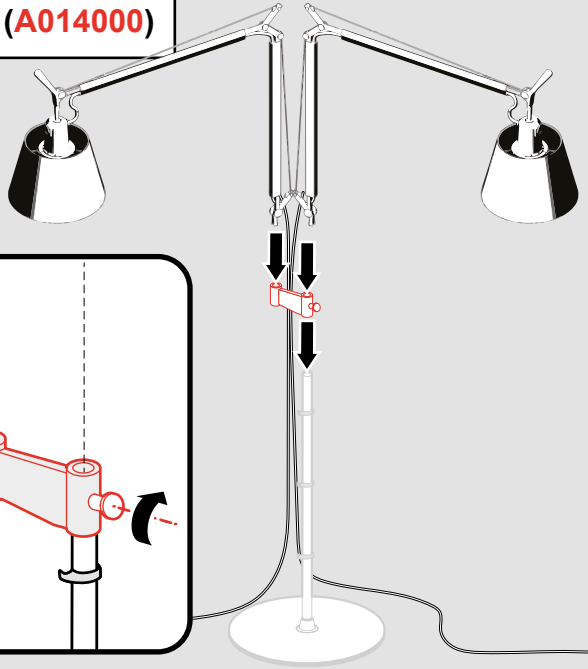
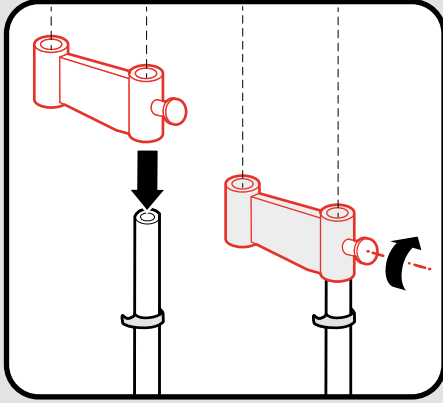


✓

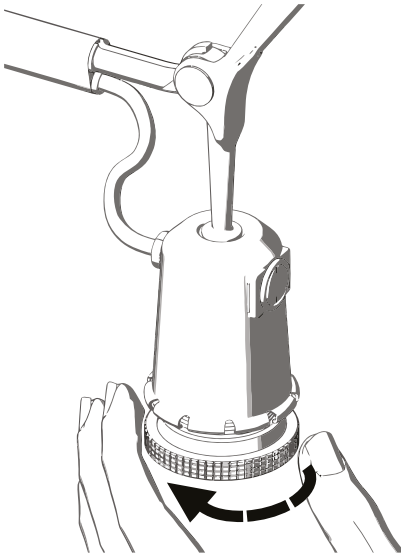


i

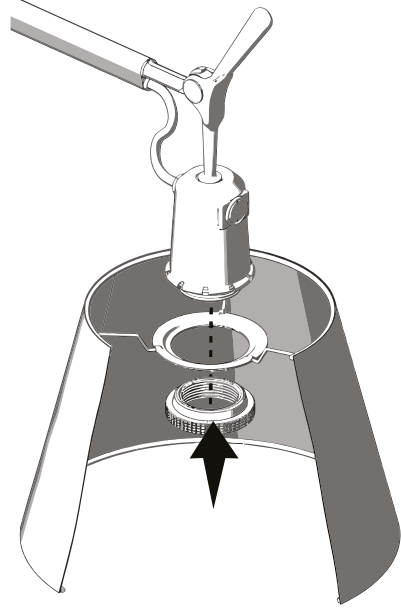
OPTIONAL (A014000)



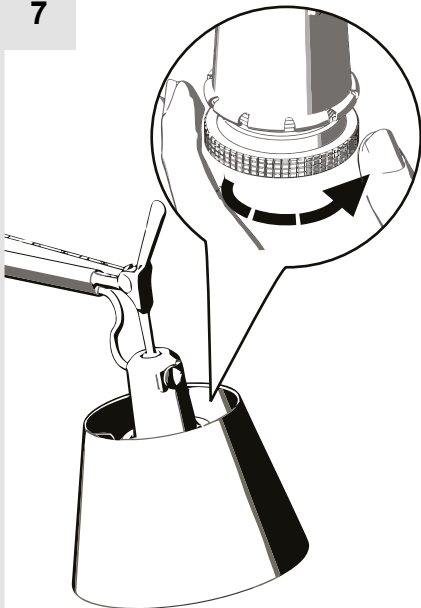
5



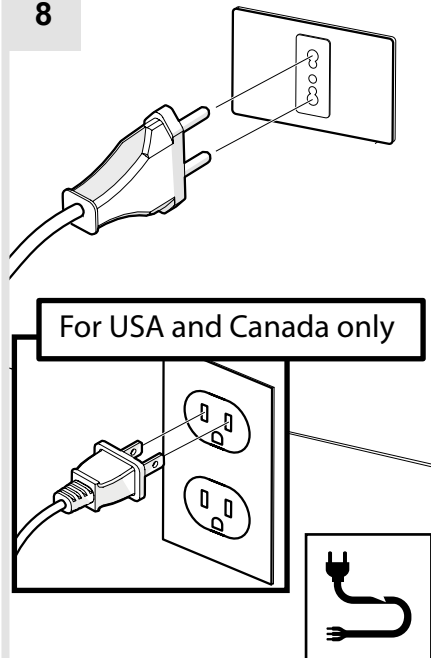
6



7

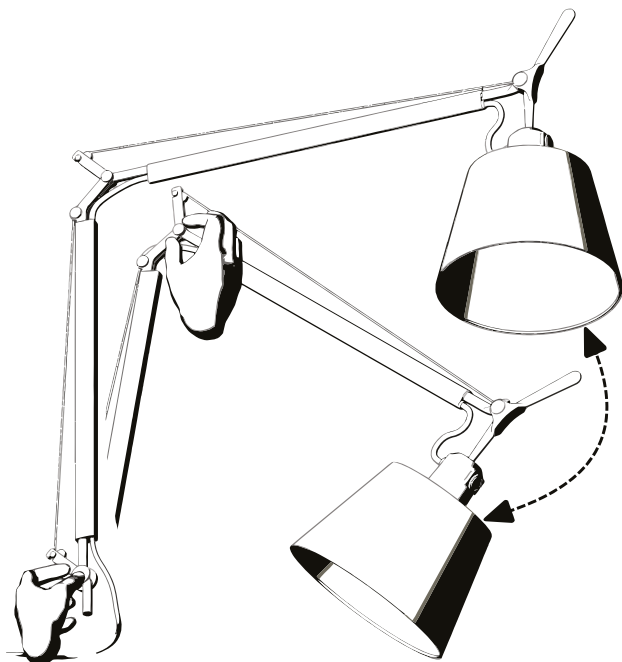


8

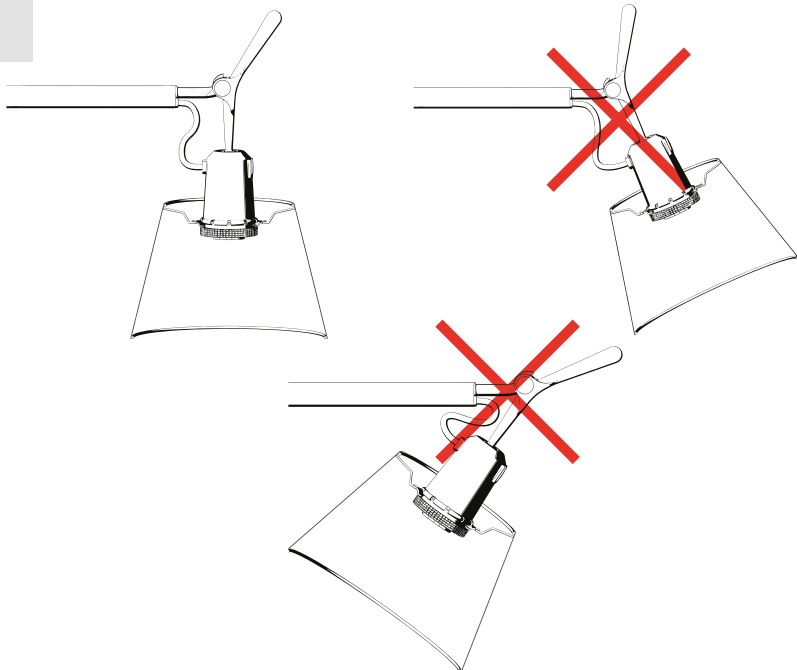




8



9





max
50g

**Max 8W
LED E27**

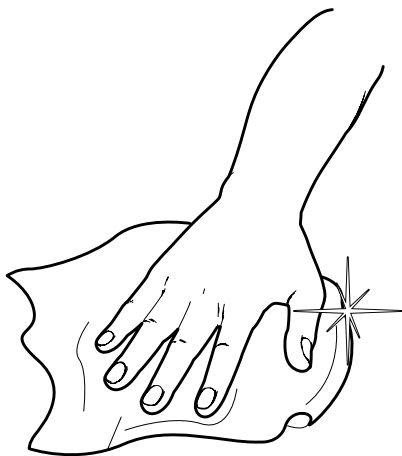
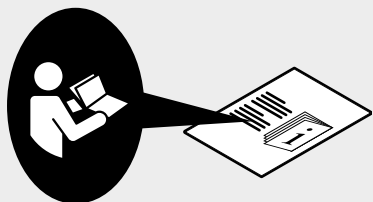
~~HALO~~ ~~HALO~~ ~~FLUO~~

for USA/CANADA only

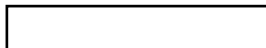
max
50g

**Bulb for
USA/CAN:**
Max 8W E26
Type A
cULus SBLED

~~HALO~~ ~~HALO~~ ~~FLUO~~



Artemide®



Artemide

via Bergamo, 18
20006 Pregnana M.se (MI)
ITALIA

tel. +39 02 935 181
fax +39 02 935 90 254
fax +39 02 935 90 496

www.artemide.com

VAT IT00846890150

Artemide Inc.

250 Karin Lane
Hicksville, NY 11801

Tel. 631 694 9292
Toll Free 1-877-Art-9111
Fax 631 694 9275

www.artemide.net

Artemide Ltée/Ltd.

11105 rue Renaude Lapointe
Montréal, Québec H1J 2T4

Tel. 514 323 6537
Toll Free 888 777 2783
Fax 514 323 8864

www.artemide.net

cod. Y513001191C