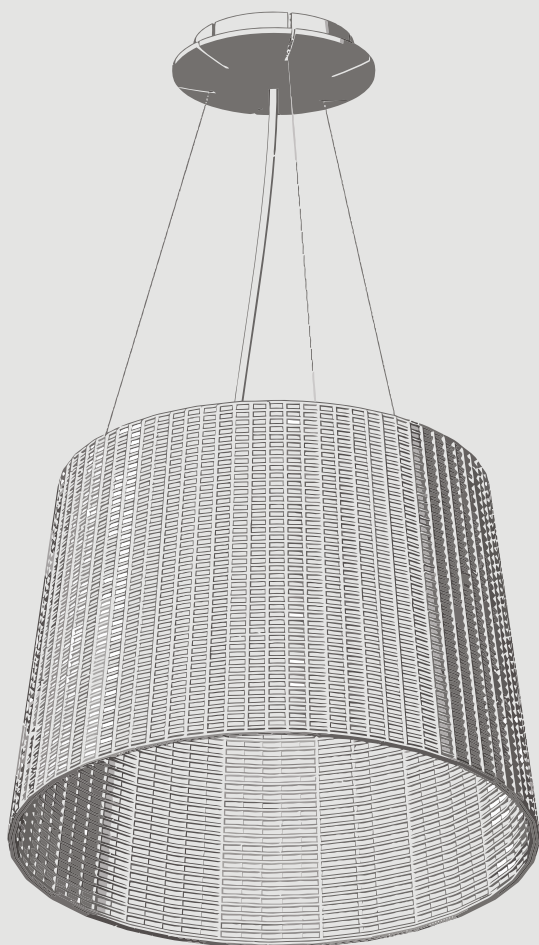
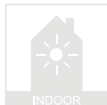


# Artemide®

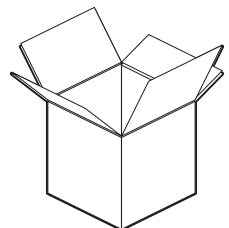
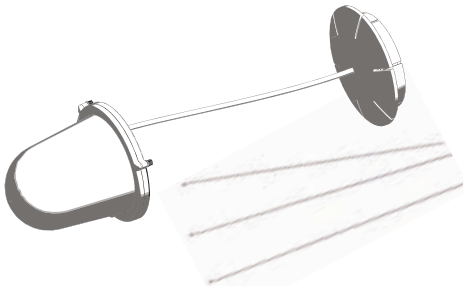
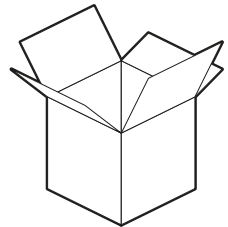
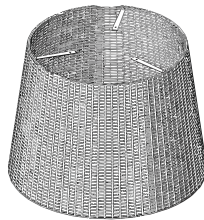
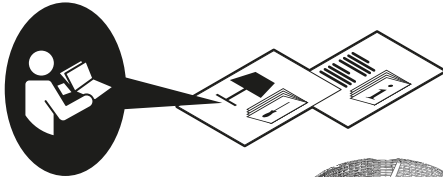
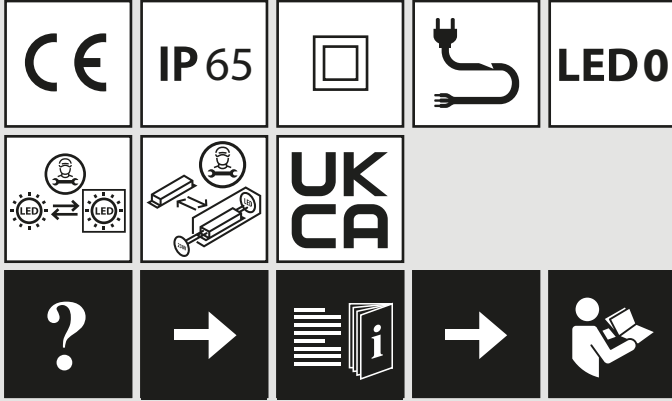
## TOLOMEO PARALUME OUTDOOR SOSPENSIONE

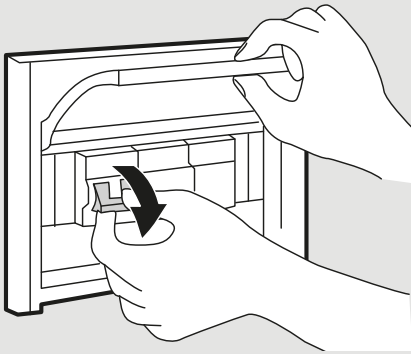
design  
M. De Lucchi  
G. Fassina



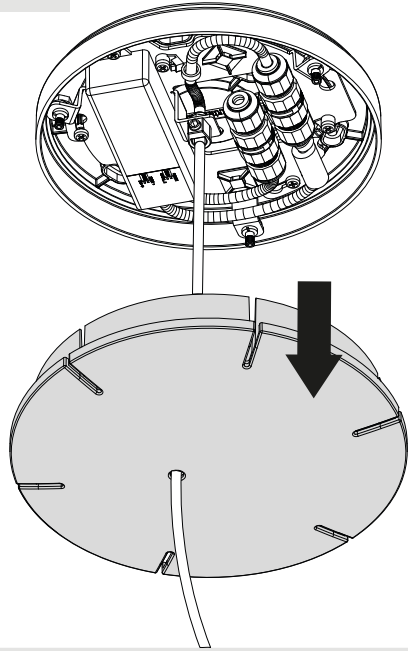


i

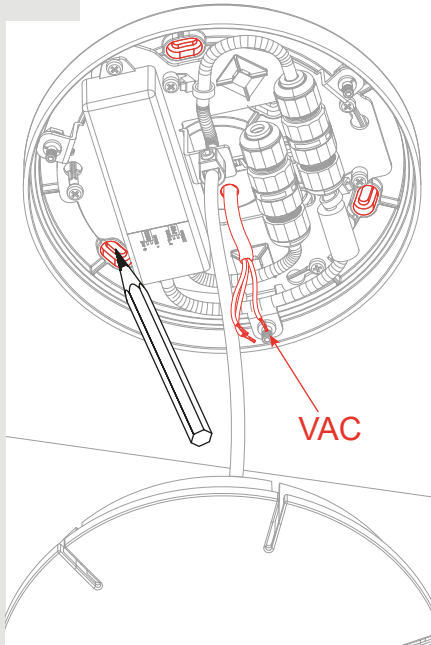




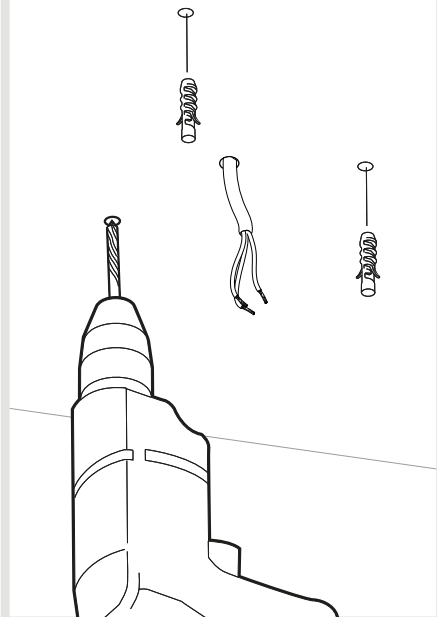
1



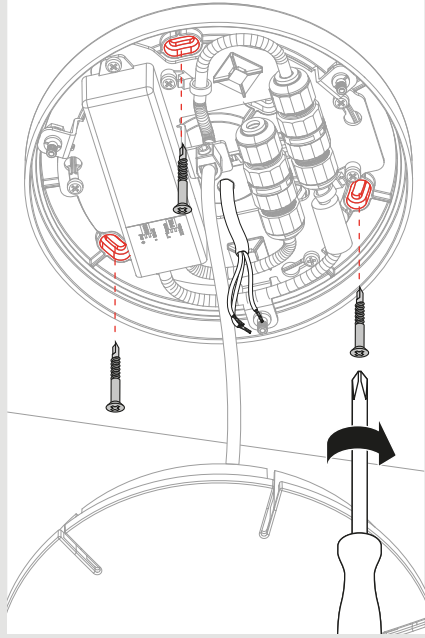
2



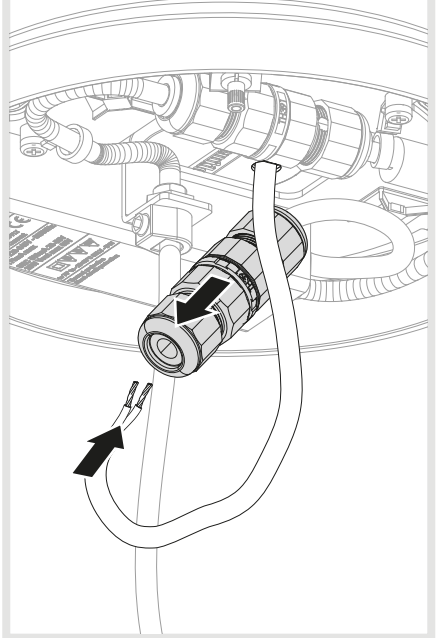
3



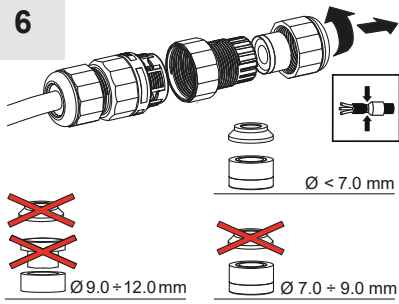
4



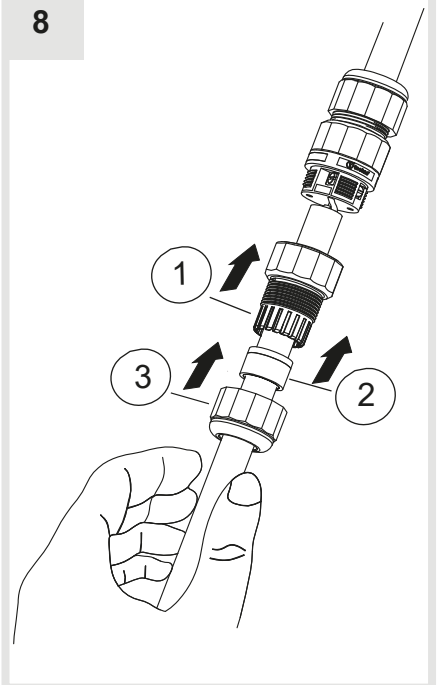
5



6

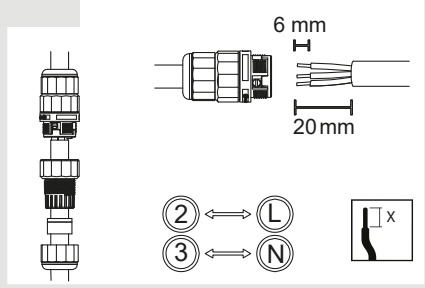


8

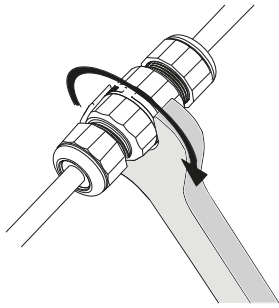


7

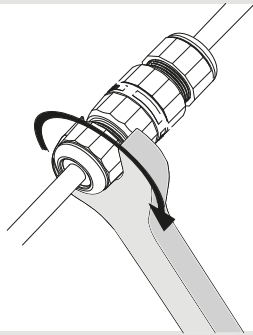
Input 220 - 240 Vac



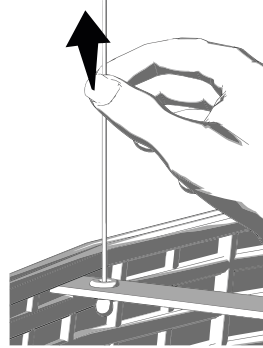
9a



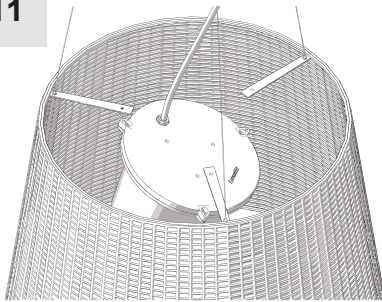
9b



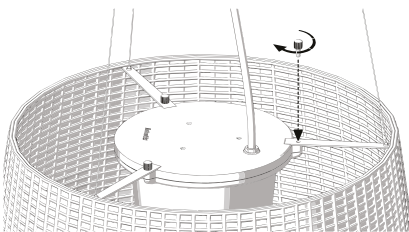
10



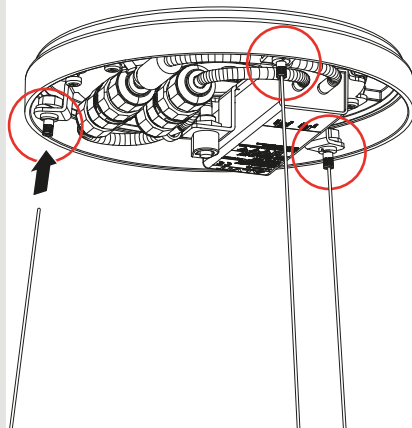
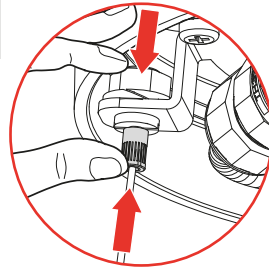
11



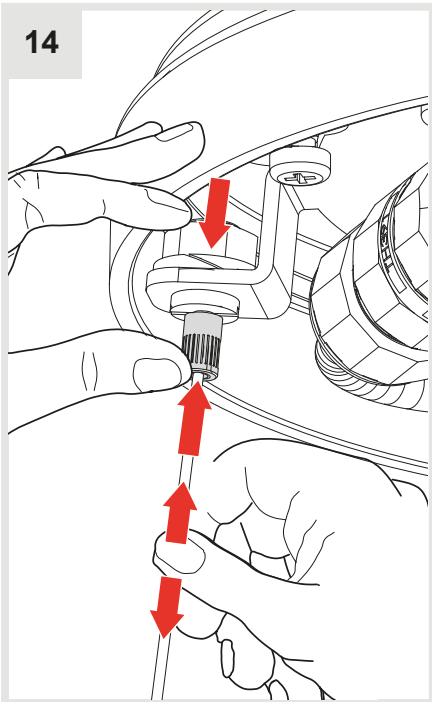
12



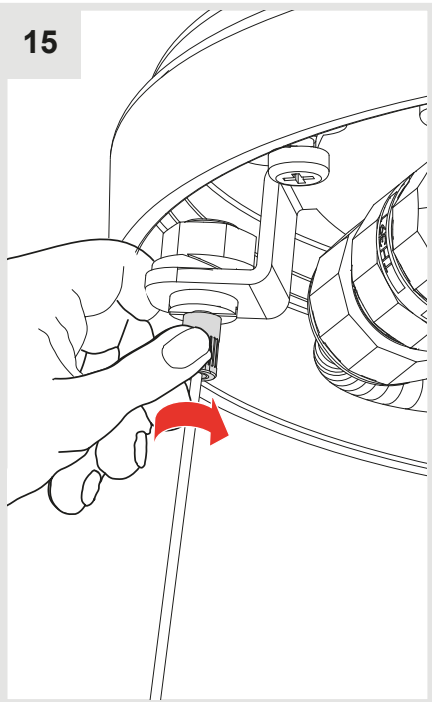
13



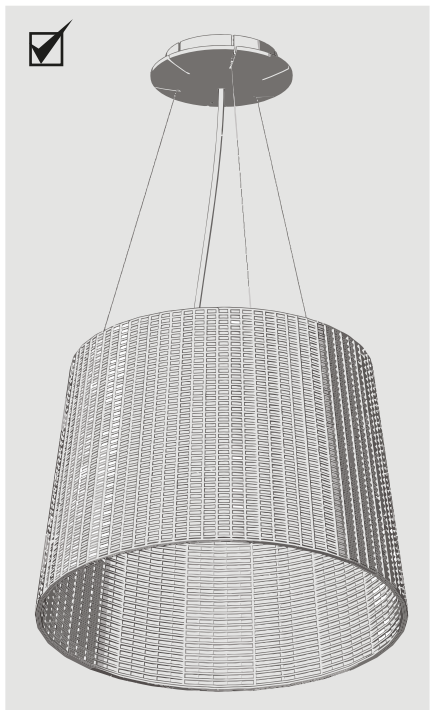
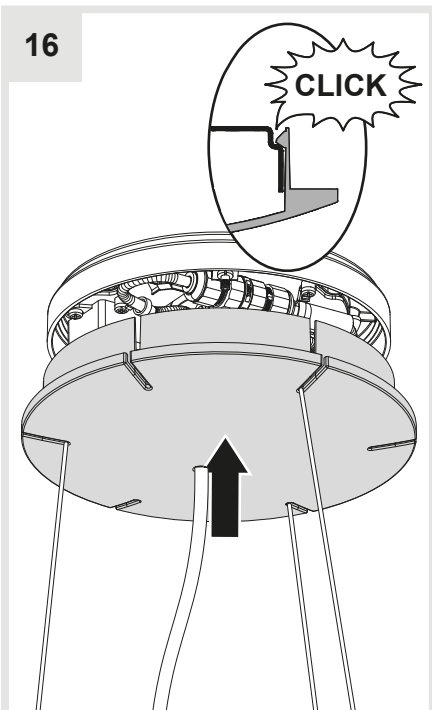
14



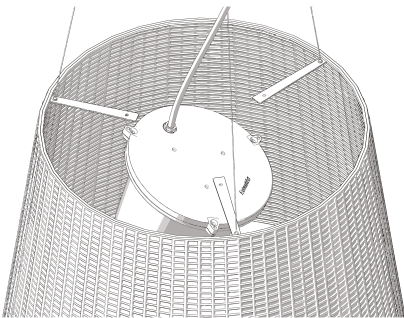
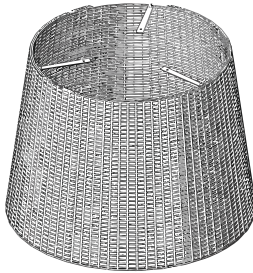
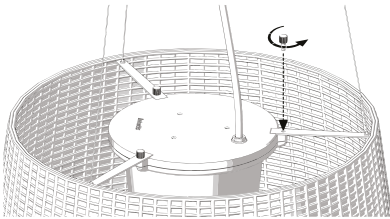
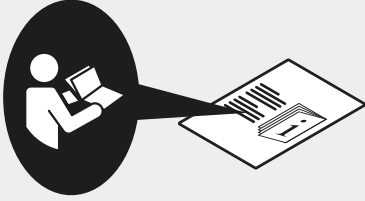
15



16



i



**Artemide®**



## **Artemide Spa**

via Bergamo, 18  
20006 Pregnana M.se (MI)  
ITALIA

Tel. +39 02 935 181  
Fax +39 02 935 90 254  
Fax +39 02 935 90 496

[www.artemide.com](http://www.artemide.com)

VAT IT00846890150

cod. Y513001592B