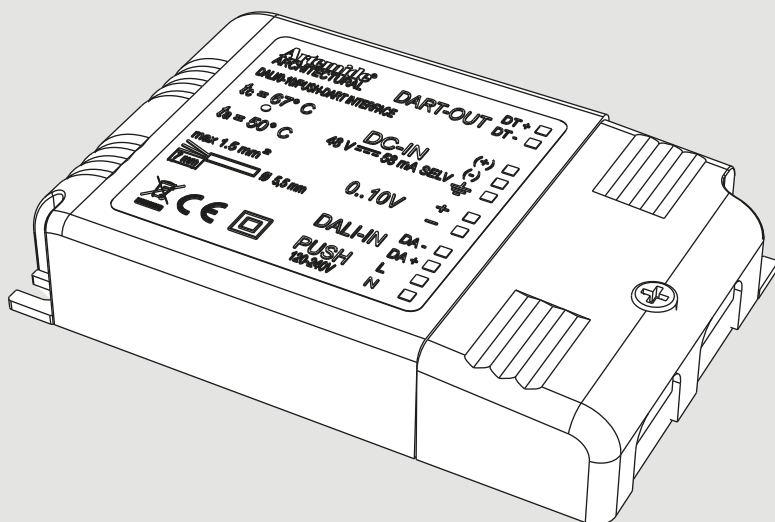
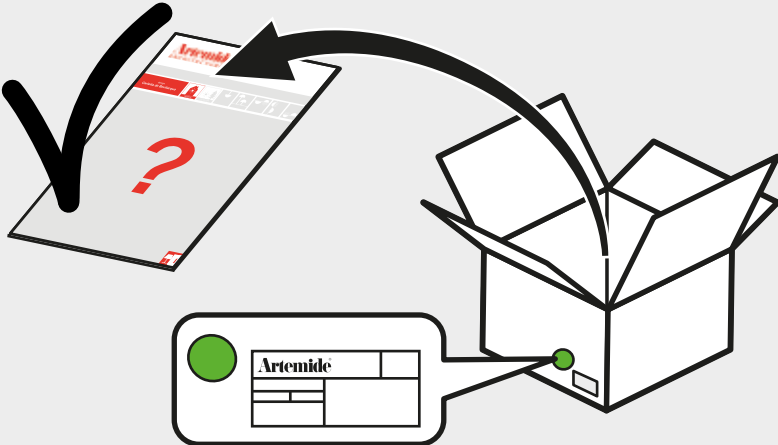
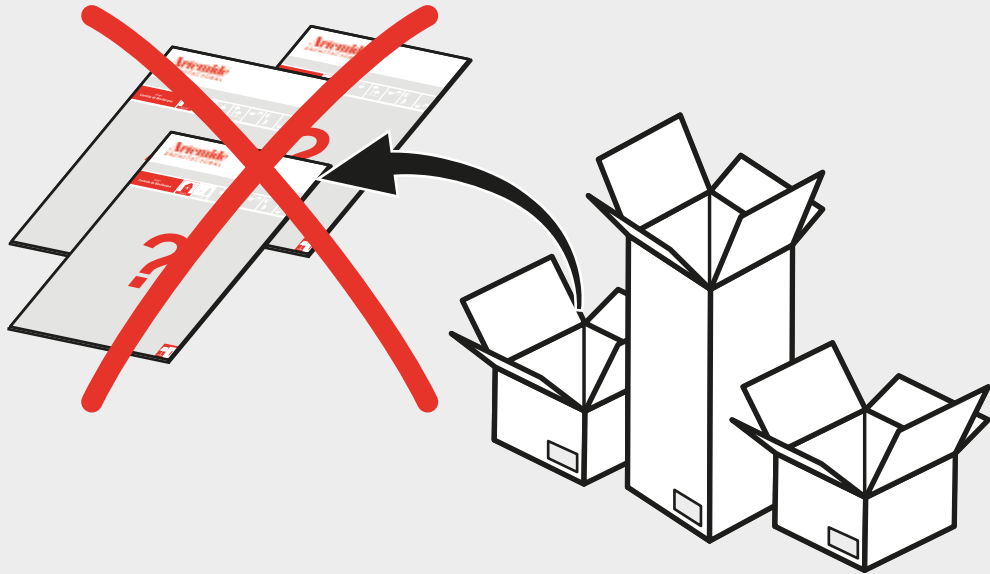


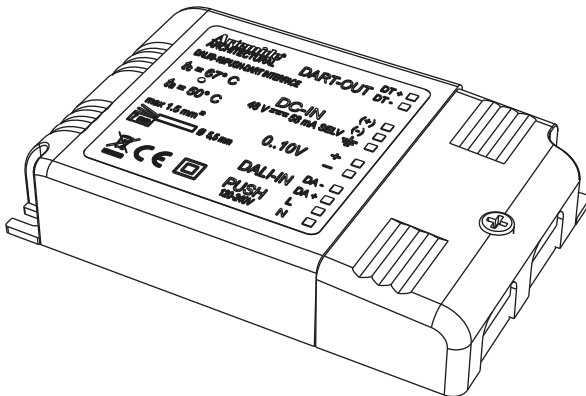
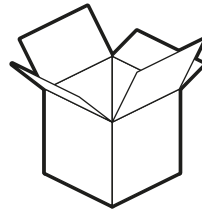
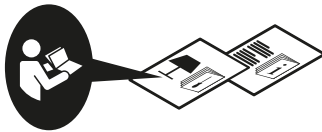
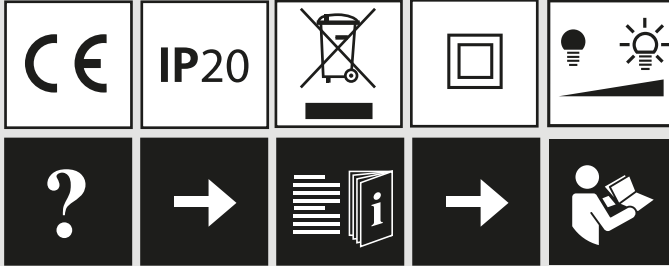
DALI/0-10V/1-10V/PUSH DART INTERFACE

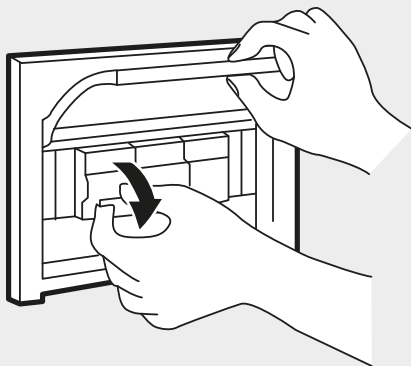
design
C. de Bevilacqua



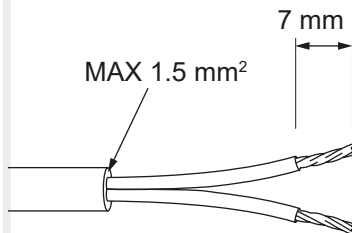
POSITION OF INSTRUCTION SHEET



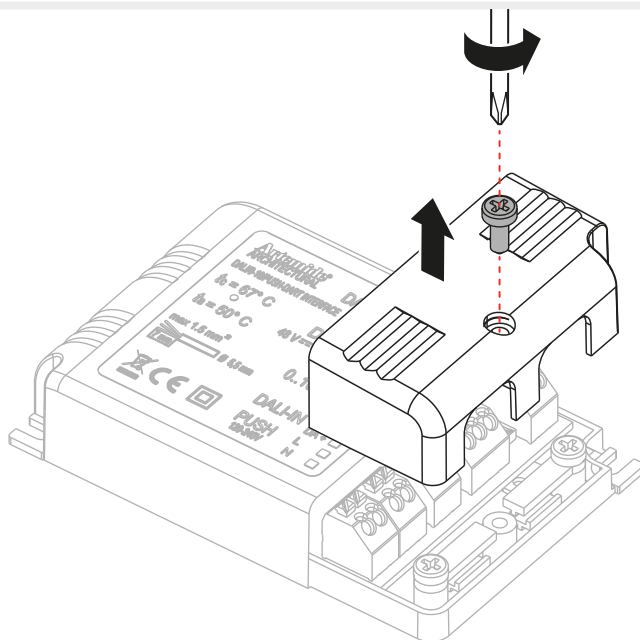




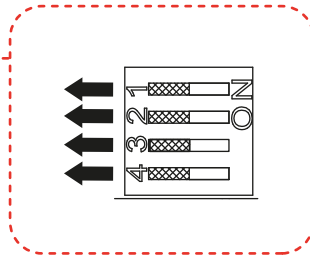
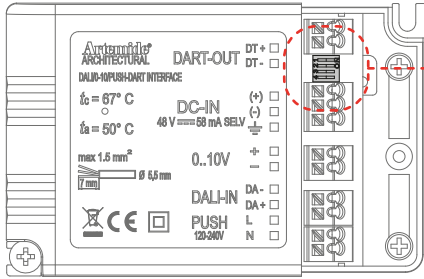
i



1

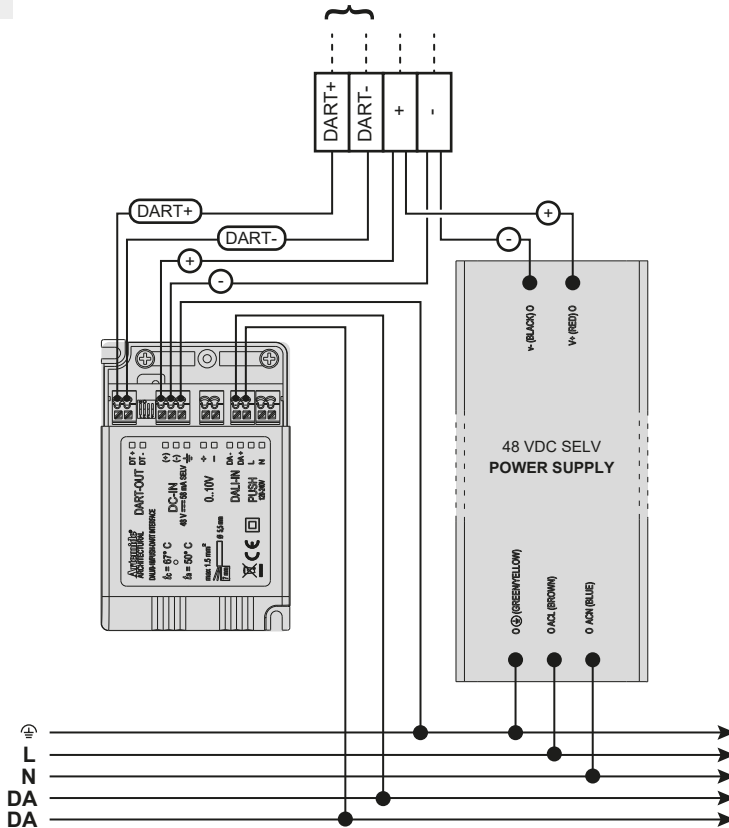


2a

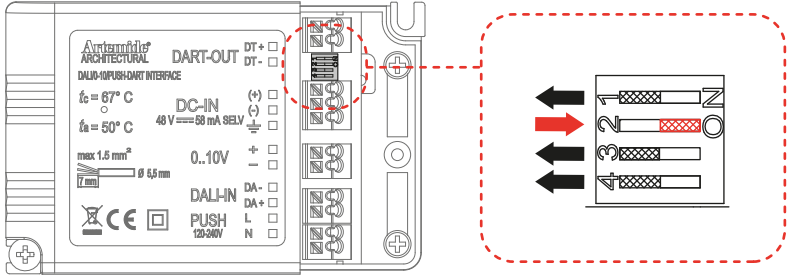


3a

MAX 64 DART ADDRESSES

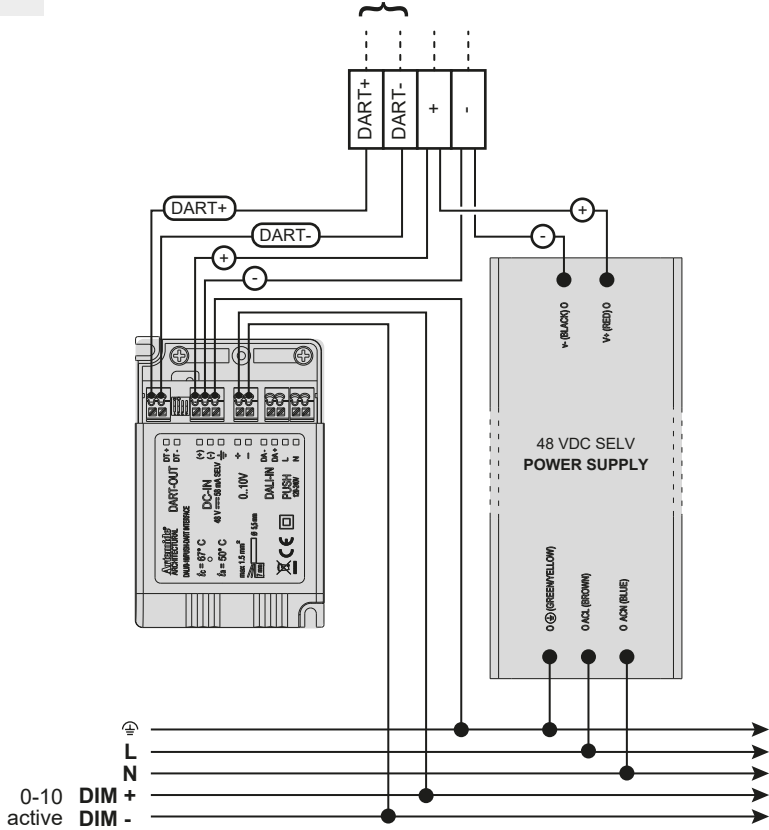


2b

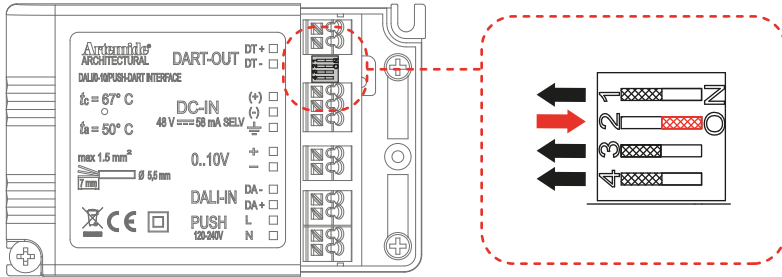


3b

MAX 64 BROADCAST DART ADDRESSES

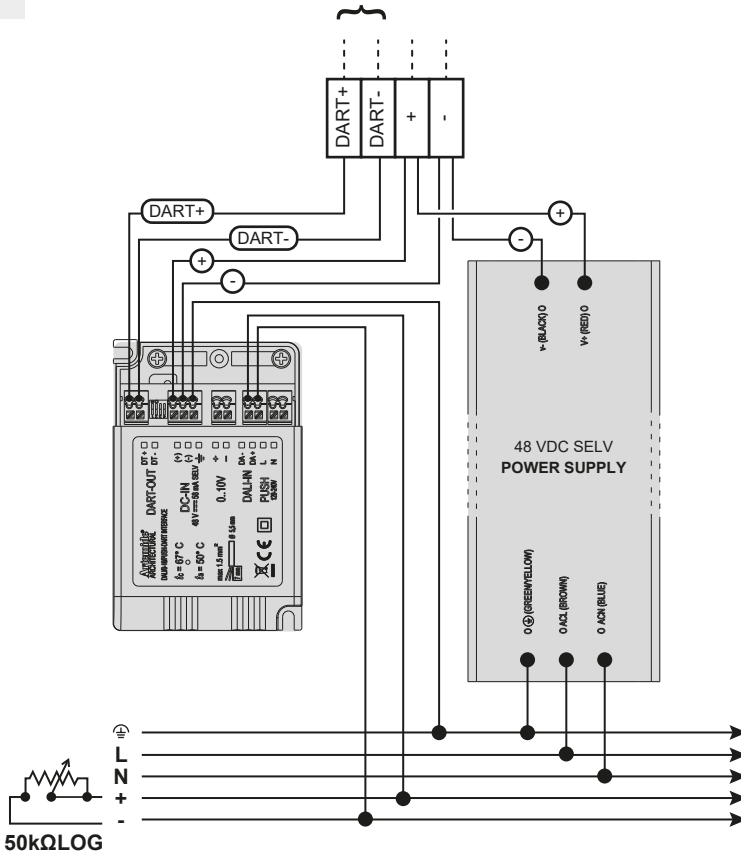


2c



3c

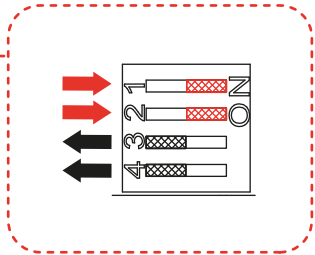
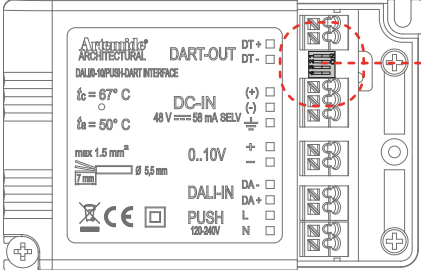
MAX 64 BROADCAST DART ADDRESSES



2d

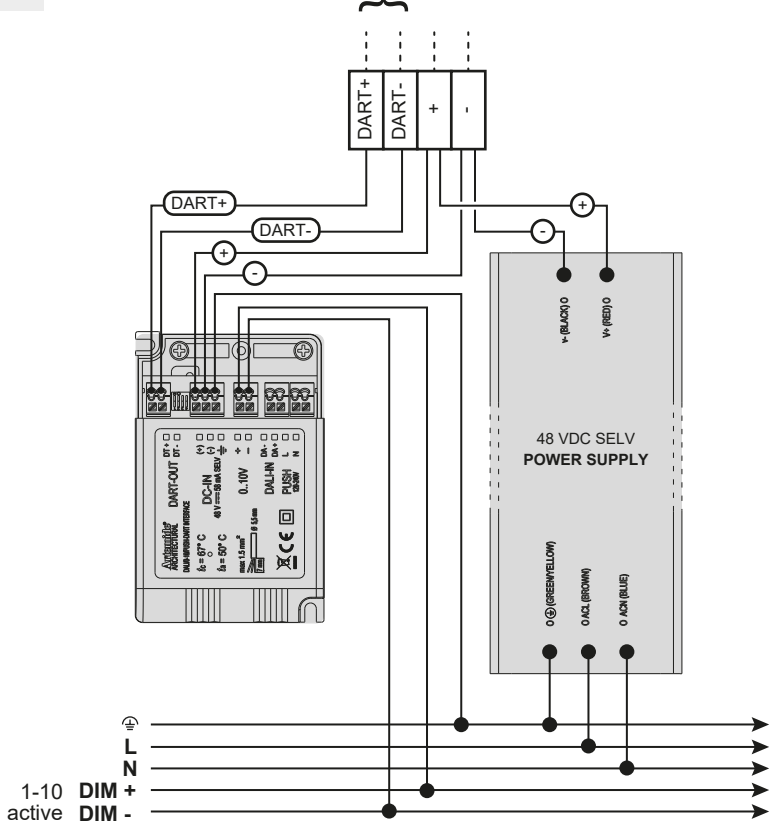


1-10V

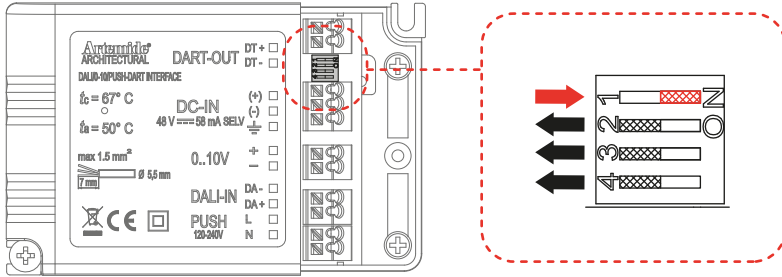


3d

MAX 64 BROADCAST DART ADDRESSES

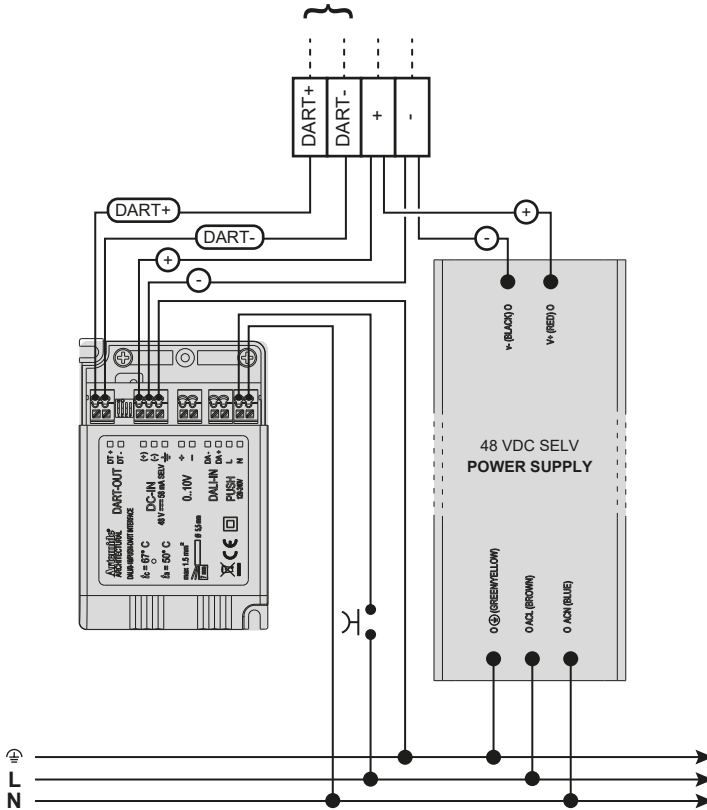


2e

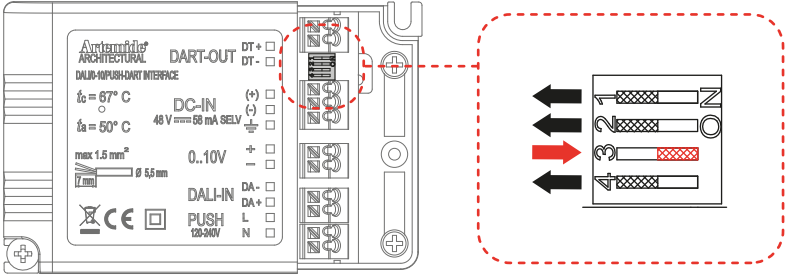


3e

MAX 64 BROADCAST DART ADDRESSES

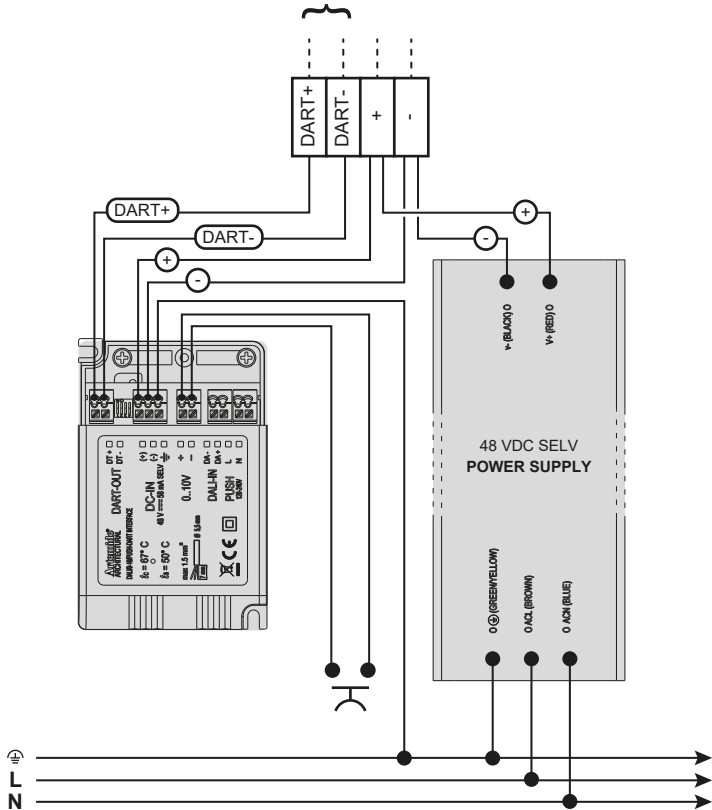


2f

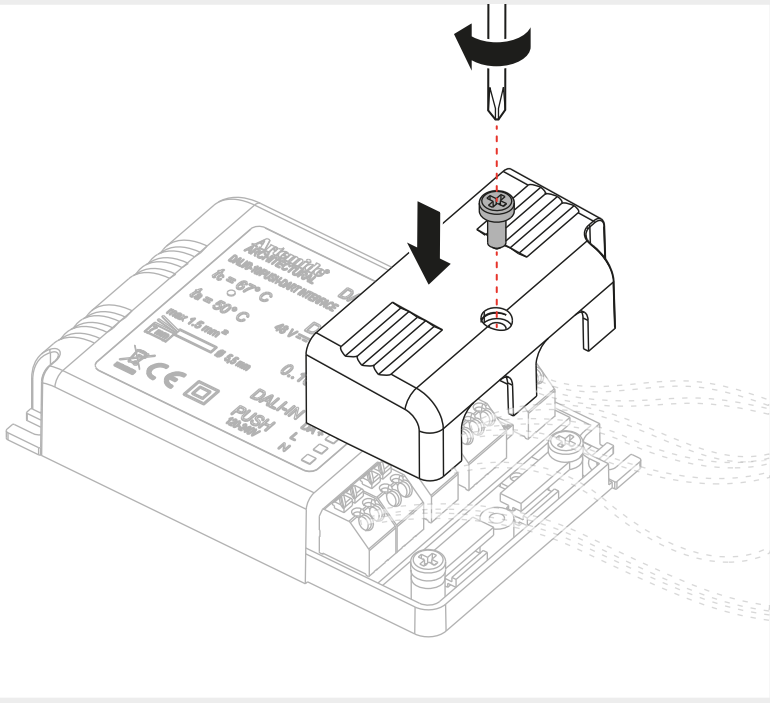


3f

MAX 64 BROADCAST DART ADDRESSES



4



Insulation between circuits

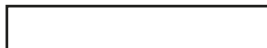
Reinforced insulation between Push Button to SELV/DART-OUT

Supplementary insulation between DALI-IN to SELV/DART-OUT

Supplementary insulation between 0-10 V control to SELV/DART-OUT

Basic insulation between Push Button to DALI-IN/0-10V control

No insulation between DALI-IN to 0-10V control (only one of these controls can be connected to the dimming)



Artemide Spa

via Bergamo, 18
20010 Pregnana M.se (MI)
ITALIA

Tel. +39 02 935 181
Fax +39 02 935 90 254
Fax +39 02 935 90 496

www.artemide.com

VAT IT00846890150