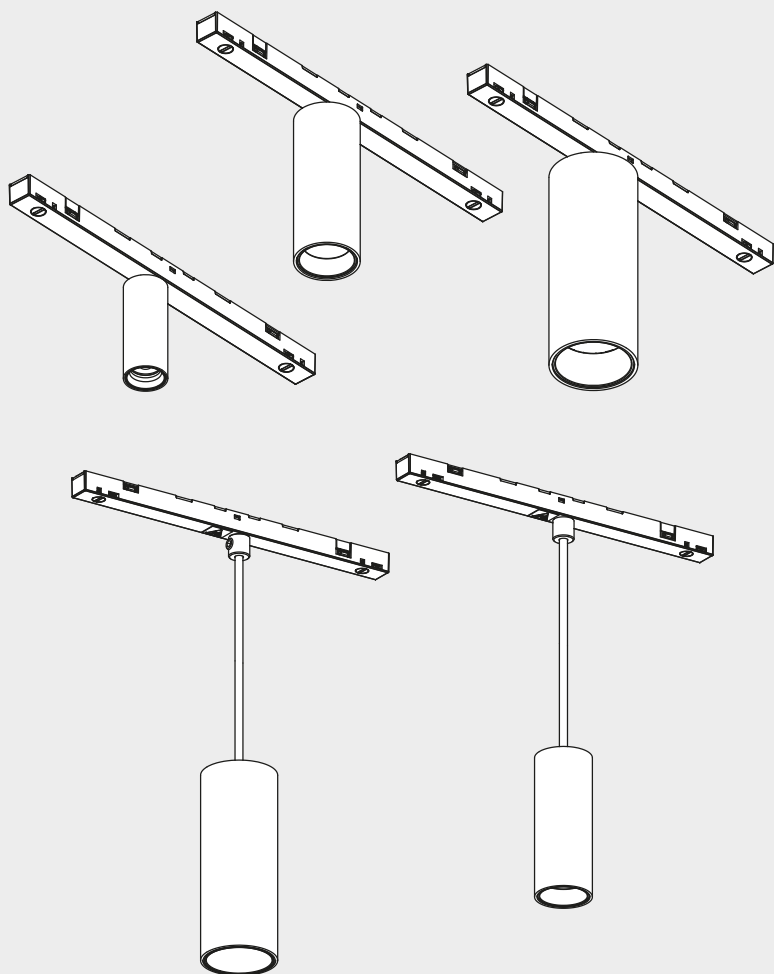


Artemide®

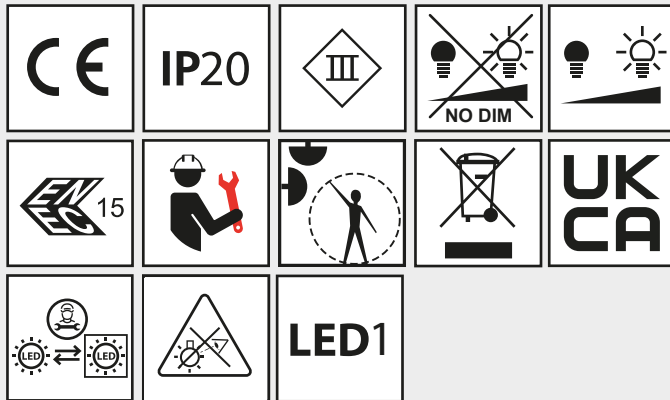
VECTOR 20 / 30 / 40 TURN AROUND

design
Carlotta de Bevilacqua





i



VECTOR 20

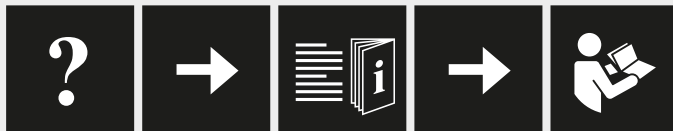
VECTOR 30

VECTOR 40

	LED1 from Dthr (m)			
	2700K	3000K	3500K	4000K
SP	LED1	LED1	1	1
FL	LED1	LED1	0,75	0,75
WF	LED1	LED1	0,75	0,75

	LED1 from Dthr (m)			
	2700K	3000K	3500K	4000K
SP	LED1	LED1	1,66	1,66
FL	LED1	LED1	1,4	1,4
WF	LED1	LED1	1,4	1,4

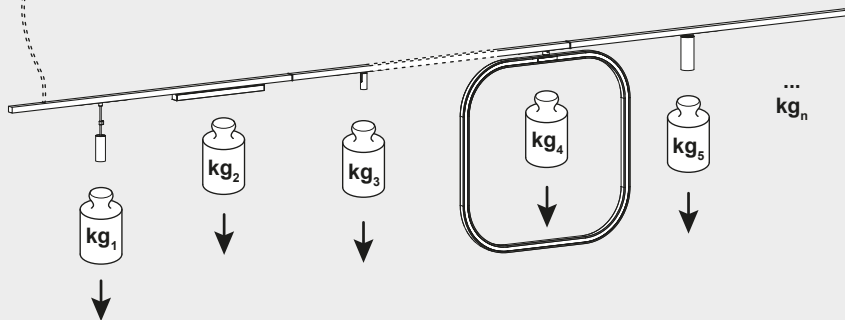
	LED1 from Dthr (m)			
	2700K	3000K	3500K	4000K
SP	1,6	1,6	2,15	2,15
FL	LED1	LED1	1,75	1,75
WF	LED1	LED1	1,75	1,75



i



$$kg_1 + kg_2 + kg_3 + kg_4 + kg_5 + \dots + kg_n \leq 3 \text{ kg/m}$$





IT ATTENZIONE

Per ridurre il rischio di incendio utilizzare solo con il sistema di binari Turn Around

EN CAUTION

To reduce the risk of fire use only with Turn Around track system

FR ATTENTION

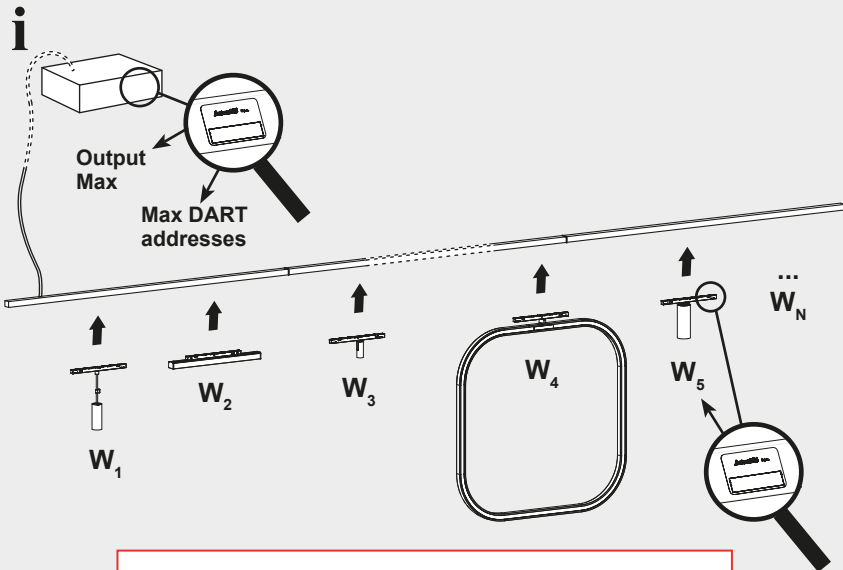
Pour réduire le risque d'incendie, utilisez uniquement le système de chenilles Turn Around.

ES ADVERTENCIA

Para reducir el riesgo de incendio, utilícelo sólo con el sistema de carriles Turn Around.

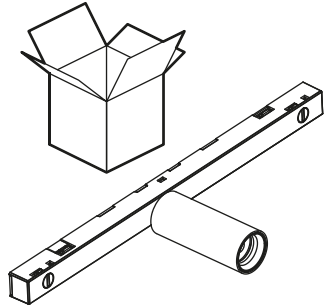
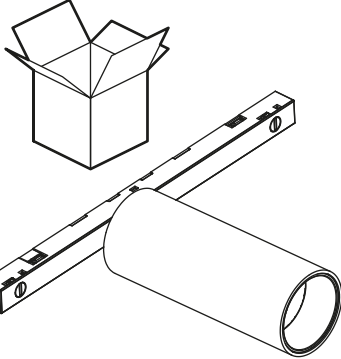
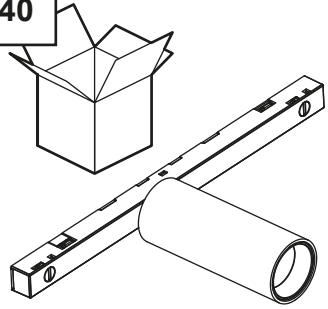
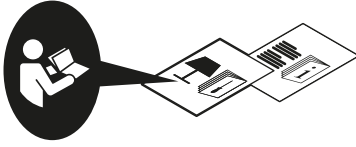
DEU WARNUNG

Um die Brandgefahr zu verringern, verwenden Sie das Gerät nur mit dem Turn Around-Schienensystem.

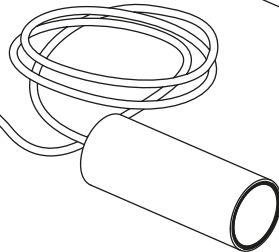
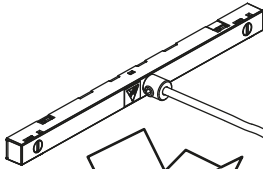
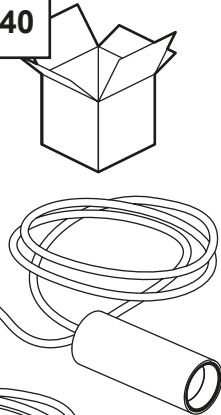
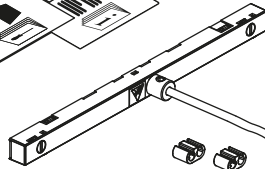
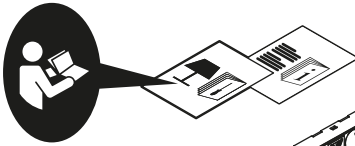




A Vector Track 20 / 30 / 40

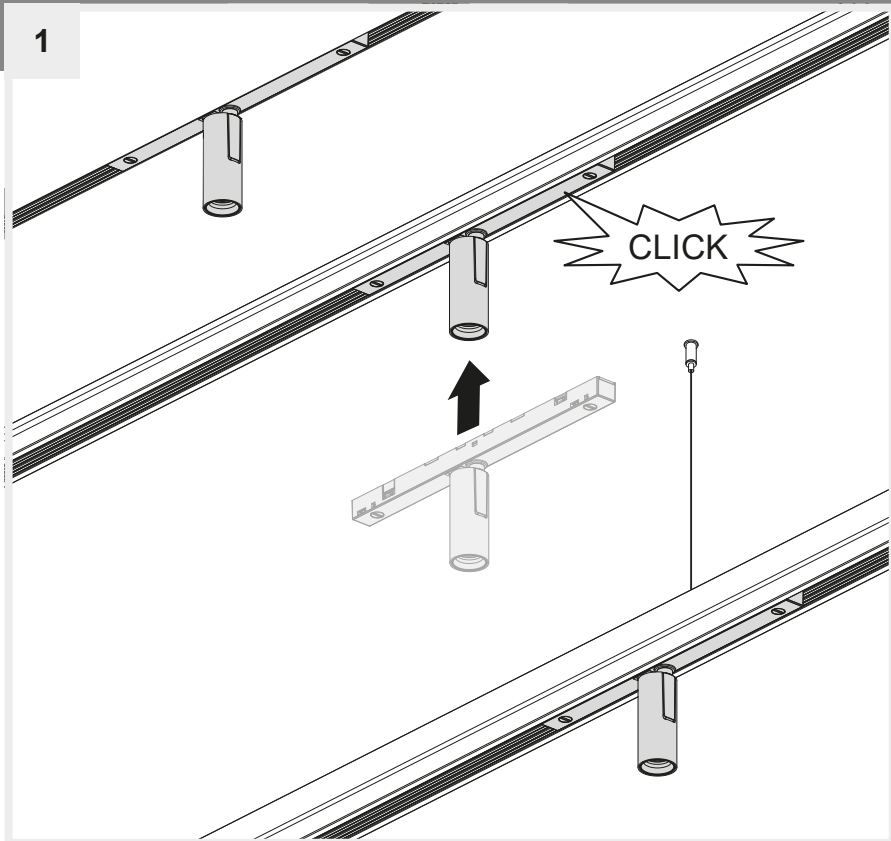


B Vector Pendant Track 30 / 40

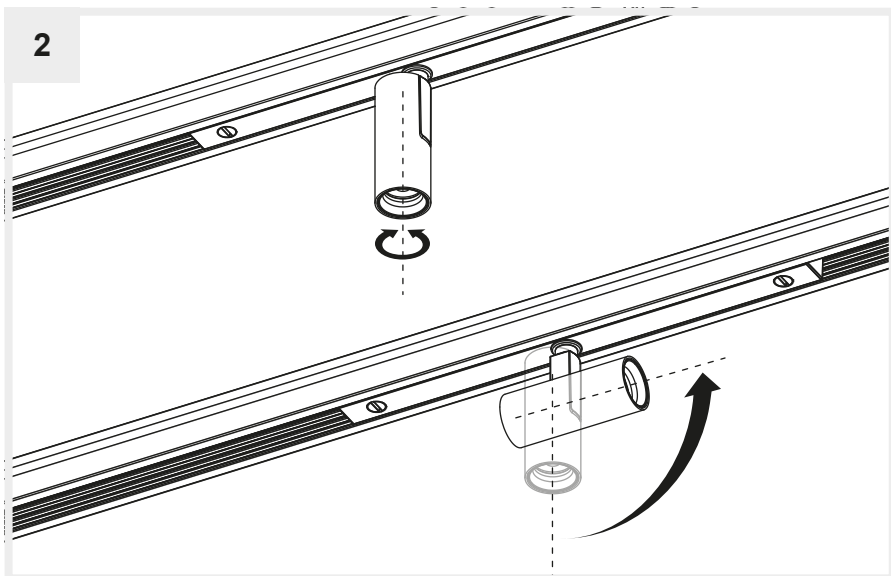


1

A

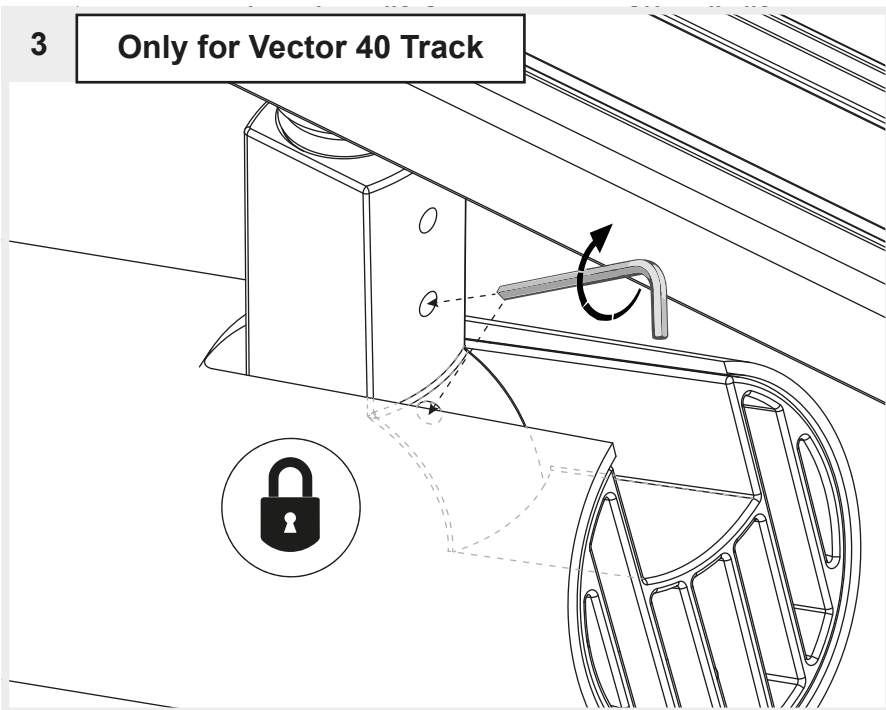


2

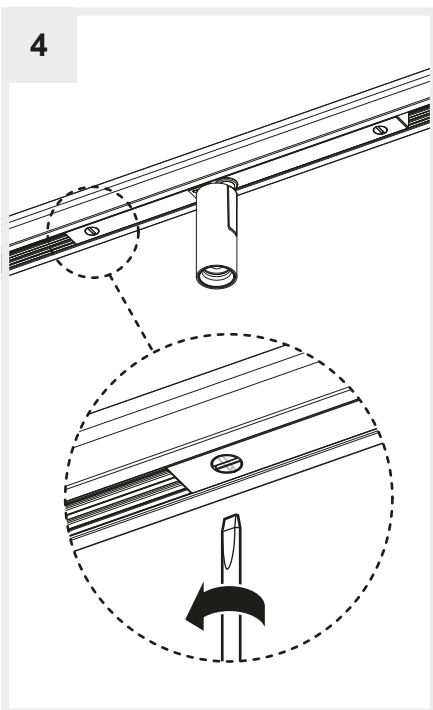


3

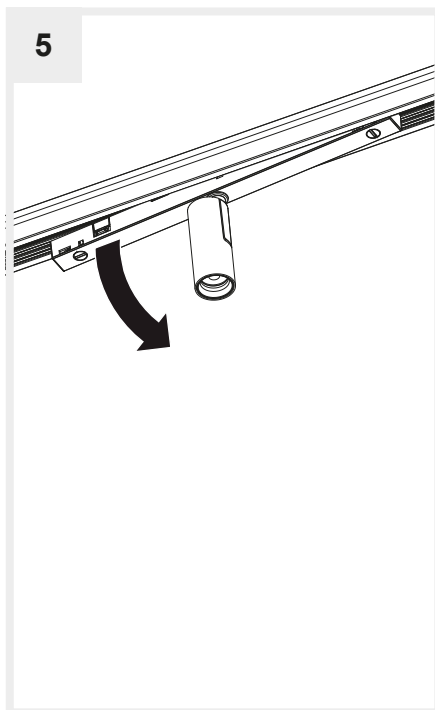
Only for Vector 40 Track



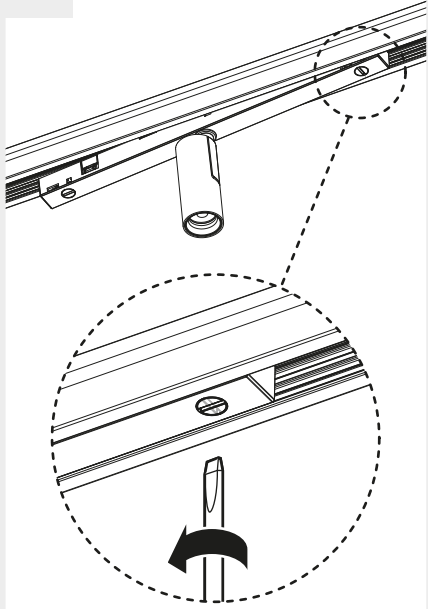
4



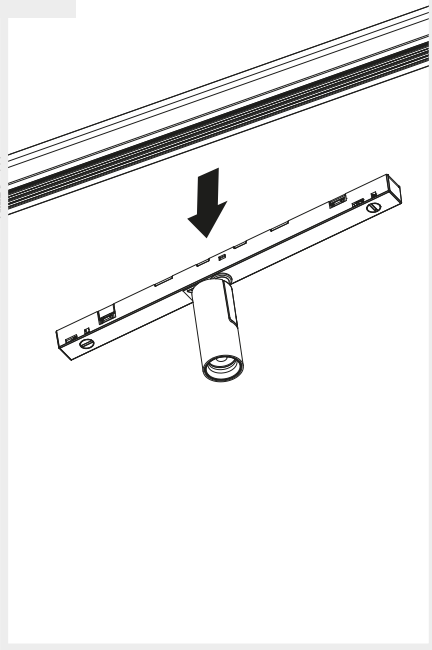
5

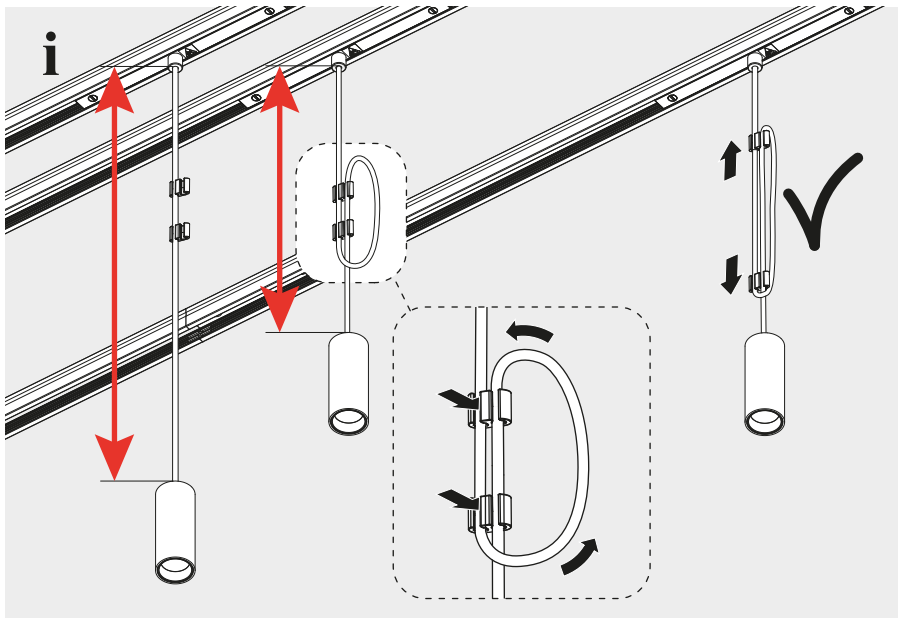
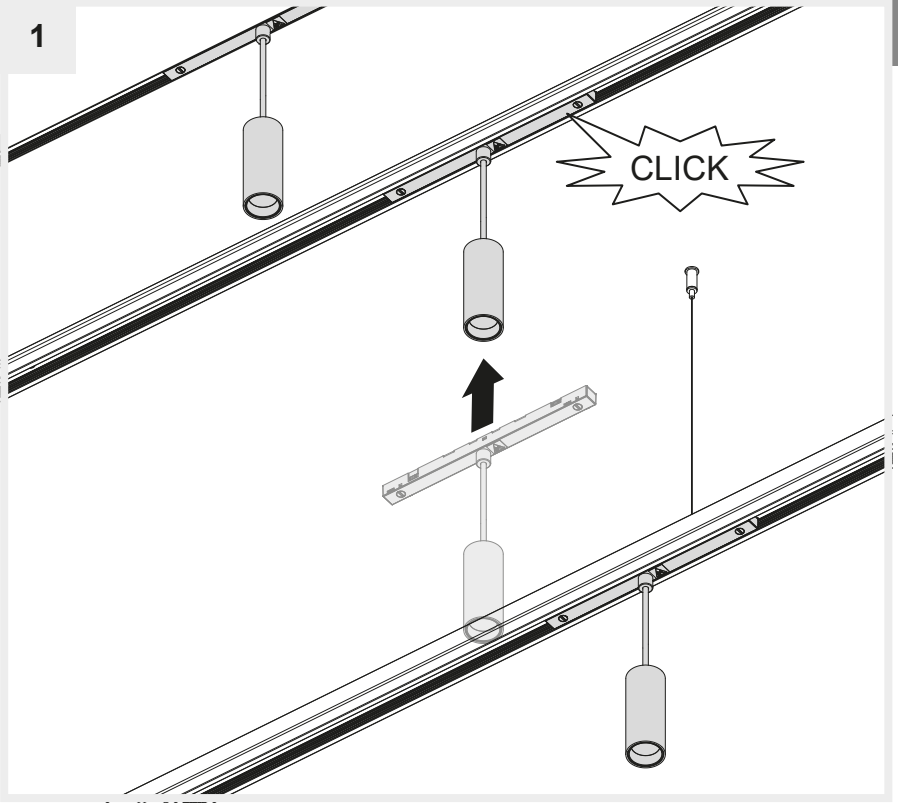


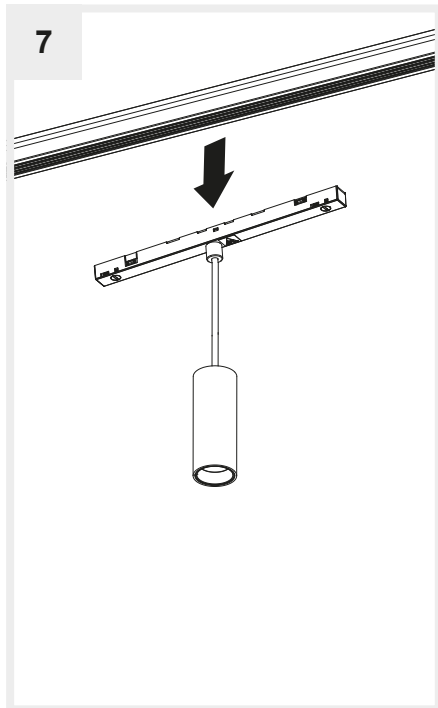
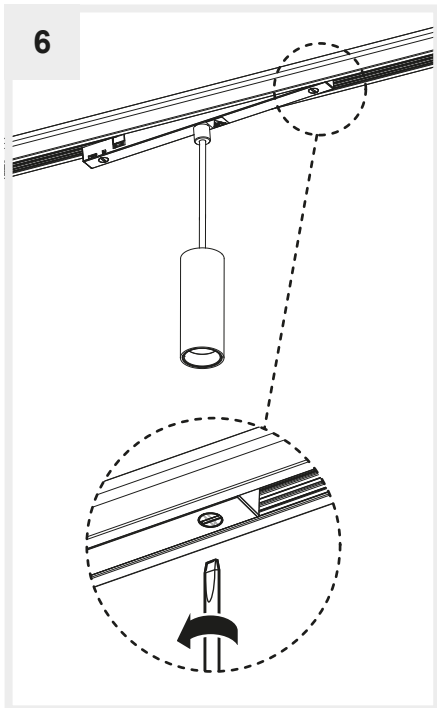
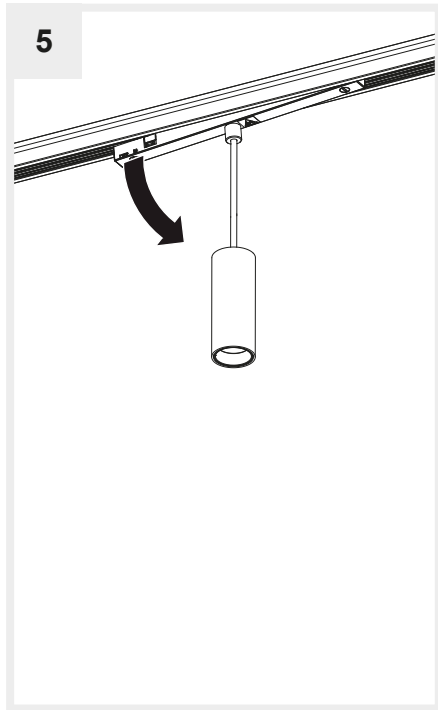
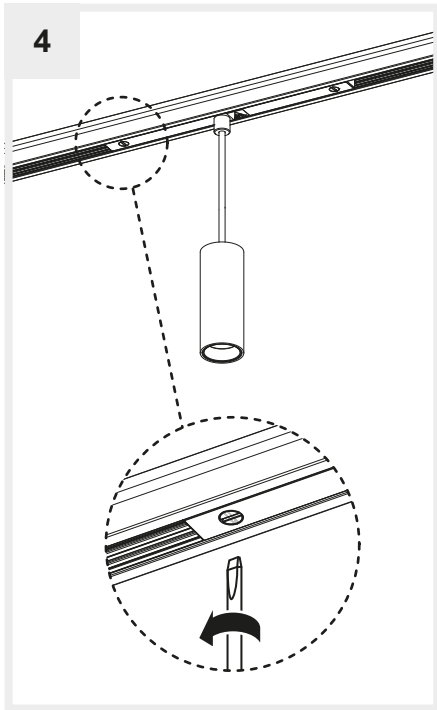
6



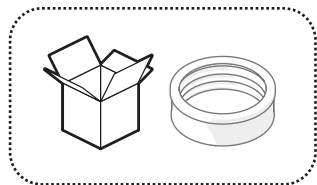
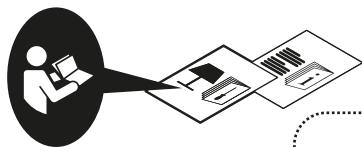
7



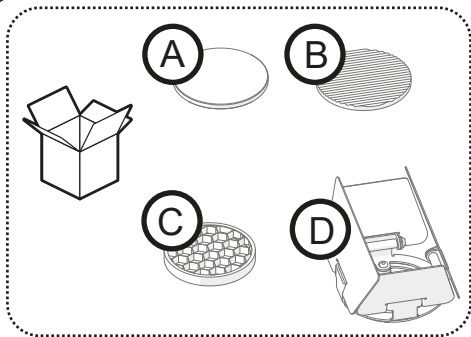
B**1**



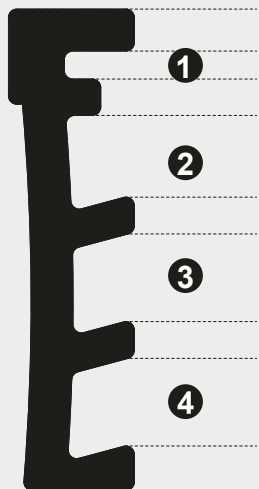
VECTOR 20 / 30 / 40 TURN AROUND ACCESSORIES



+



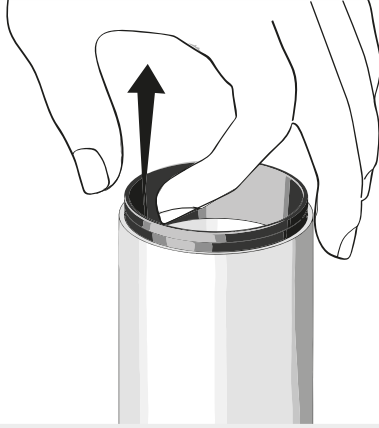
i



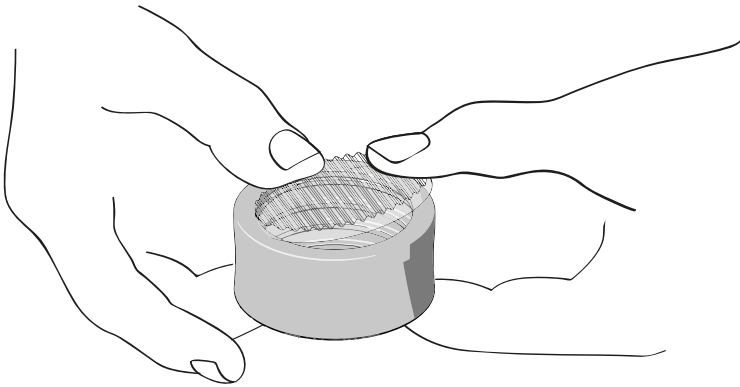
	A	B	C	D
1			X	X
2	X	X		
3	X	X		
4	X	X		

VECTOR 20 / 30 / 40 TURN AROUND ACCESSORIES

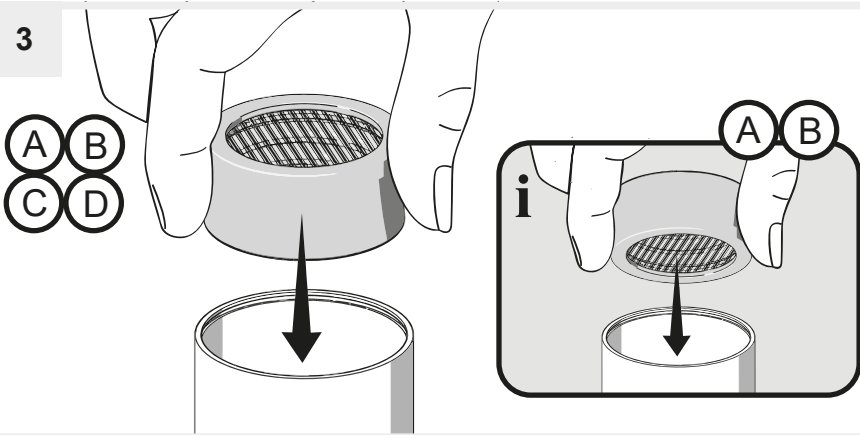
1



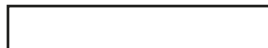
2



3



Artemide®



Artemide

via Bergamo, 18
20010 Pregnana M.se (MI)
ITALIA

tel. +39 02 935 181
fax +39 02 935 90 254
fax +39 02 935 90 496

www.artemide.com

VAT IT00846890150

Artemide Inc.

250 Karin Lane
Hicksville, NY 11801

tel. 631 694 9292
Toll Free 1-877-Art-9111
Fax 631 694 9275

www.artemide.net

Artemide Ltée/Ltd.

11105 rue Renaude Lapointe
Montréal, Québec H1J 2T4

Tel. 514 323 6537
Toll Free 888 777 2783
Fax 514 323 8864

www.artemide.net

cod. Y513001475B