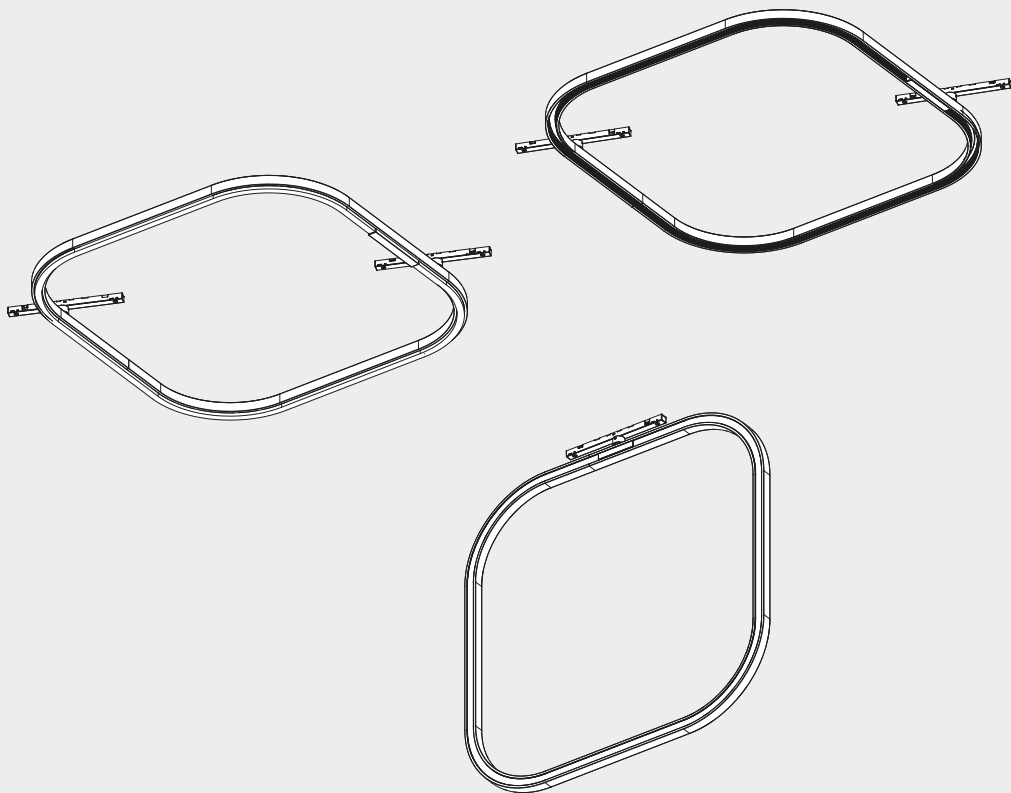


Artemide®

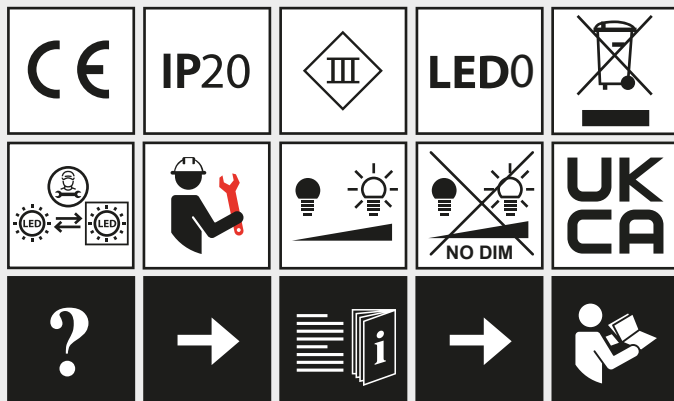
TURN AROUND SQUARE

design
Carlotta de Bevilacqua

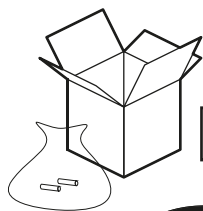
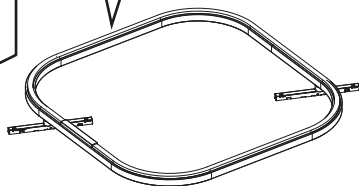




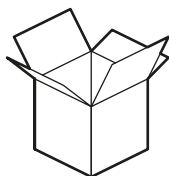
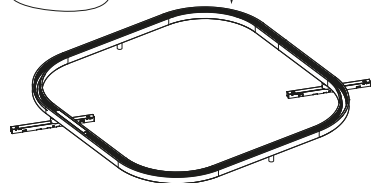
i



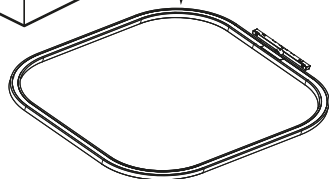
TB8X922



TB99922



TB7X922





IT ATTENZIONE

Per ridurre il rischio di incendio utilizzare solo con il sistema di binari Turn Around

EN CAUTION

To reduce the risk of fire use only with Turn Around track system

FR ATTENTION

Pour réduire le risque d'incendie, utilisez uniquement le système de chenilles Turn Around.

ES ADVERTENCIA

Para reducir el riesgo de incendio, utilícelo sólo con el sistema de carriles Turn Around.

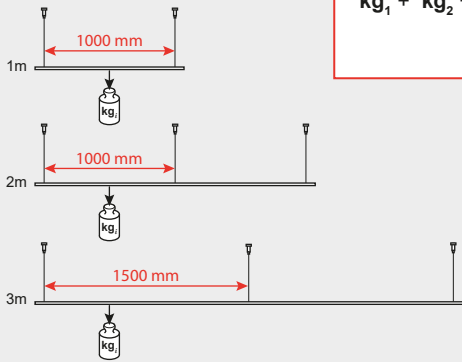
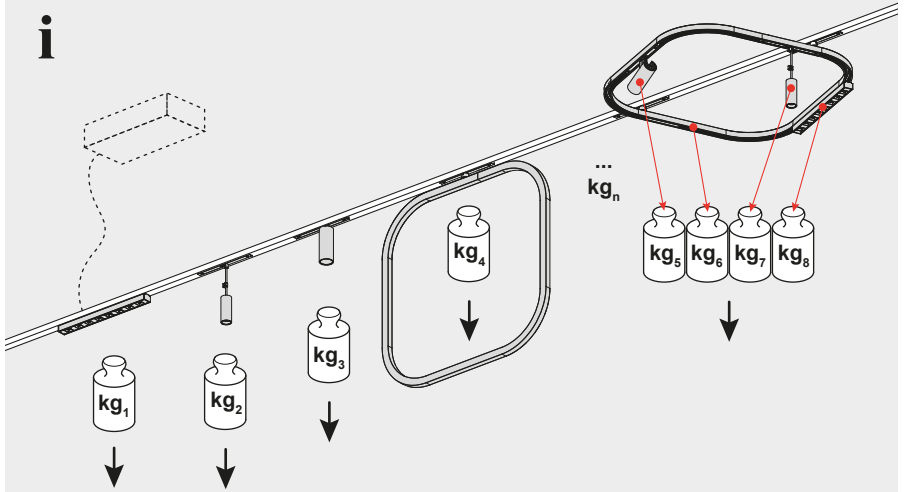
DEU WARNUNG

Um die Brandgefahr zu verringern, verwenden Sie das Gerät nur mit dem Turn Around-Schienensystem.

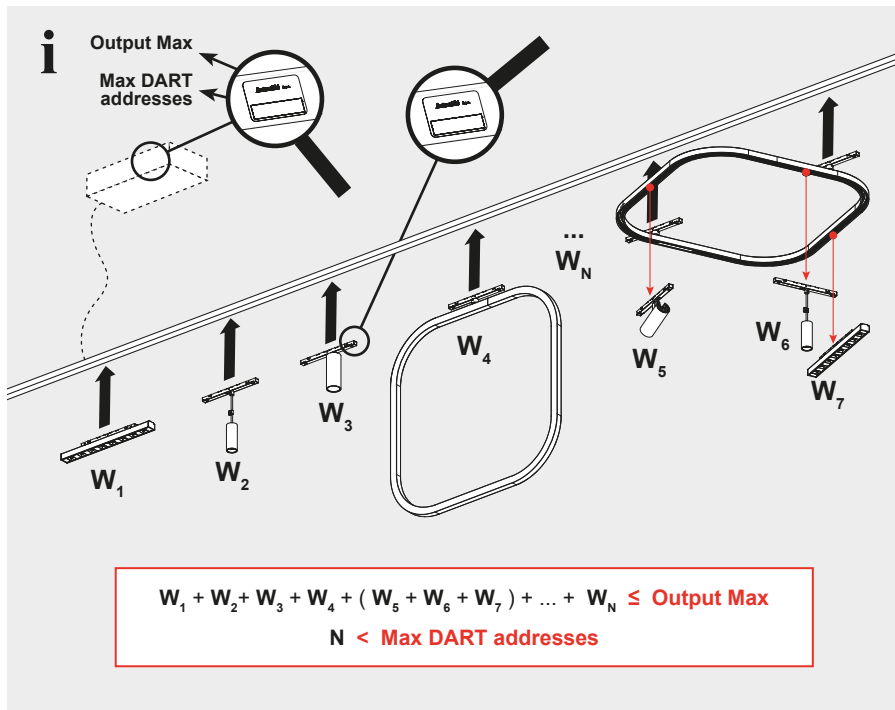
i

	TB7X922	TB8X922	TB99922
	✓	✓	✓
	✓	✓	✓
	✓	✓	✗

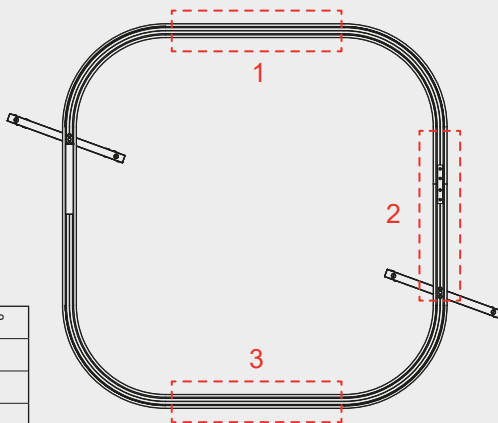
i



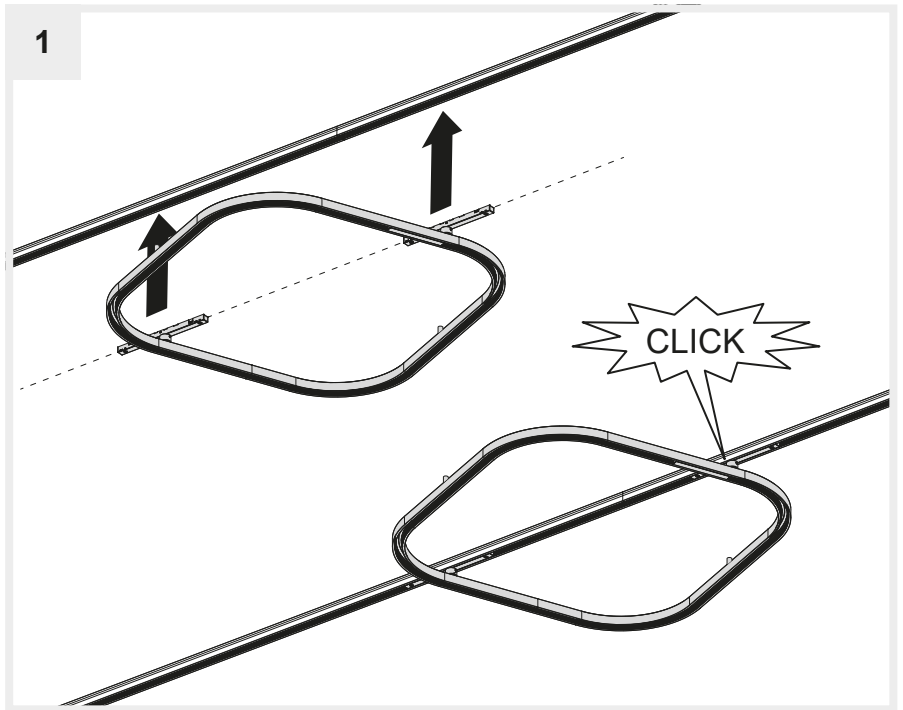
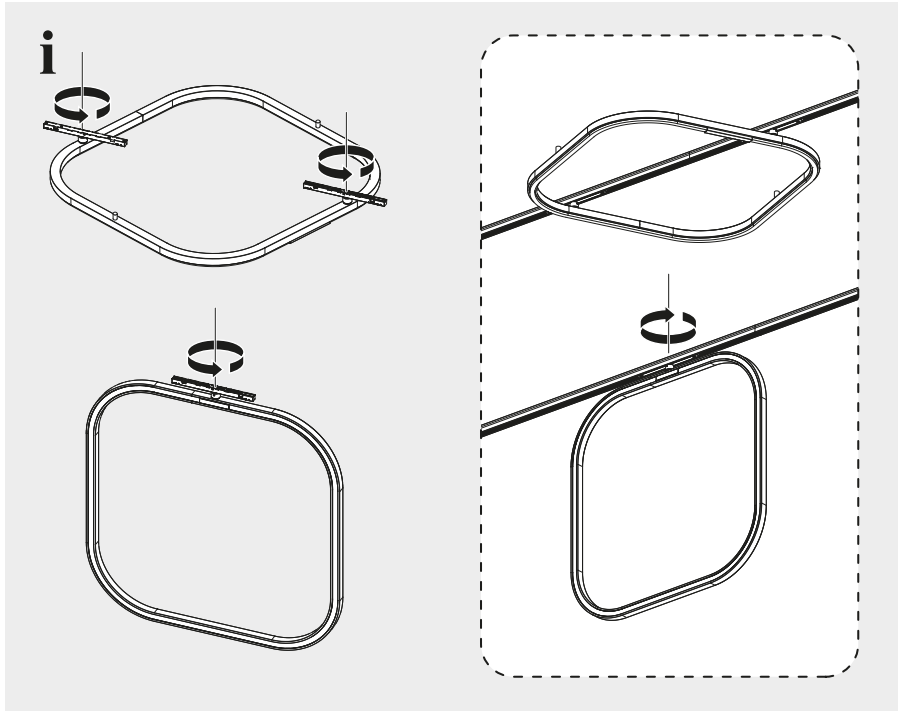
$$kg_1 + kg_2 + kg_3 + kg_4 + kg_5 + kg_6 + \dots + kg_n \leq 3 \text{ kg/m}$$



i Only for TB99922

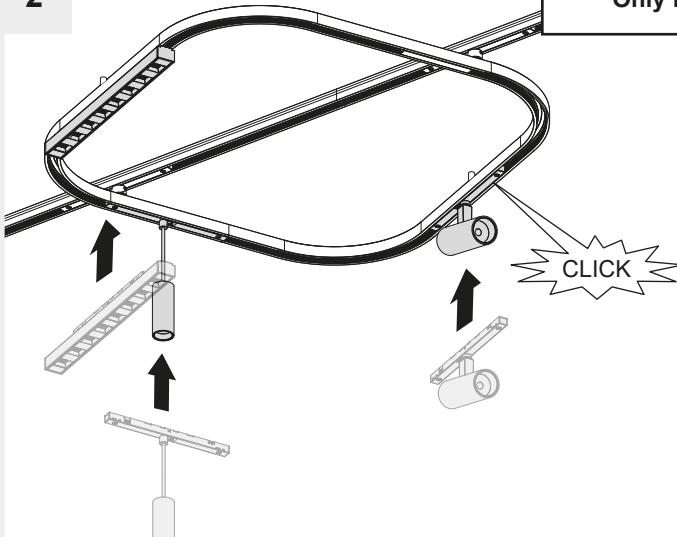


	MAX N°
VECTOR 20 TRACK	3
VECTOR 30 TRACK	3
VECTOR 40 TRACK	3
VECTOR 30 PENDANT TRACK	3
VECTOR 40 PENDANT TRACK	3
SHARPING 8X LED	3
SHARPING 12X LED	X
STRIP LED	X



2

Only for TB99922



VECTOR 20 / 30 / 40 TRACK

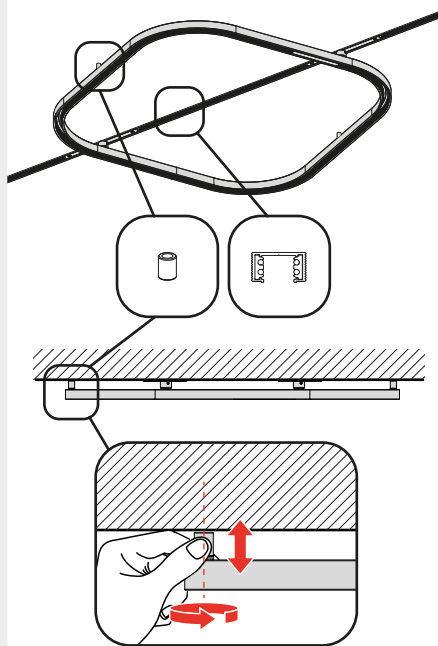
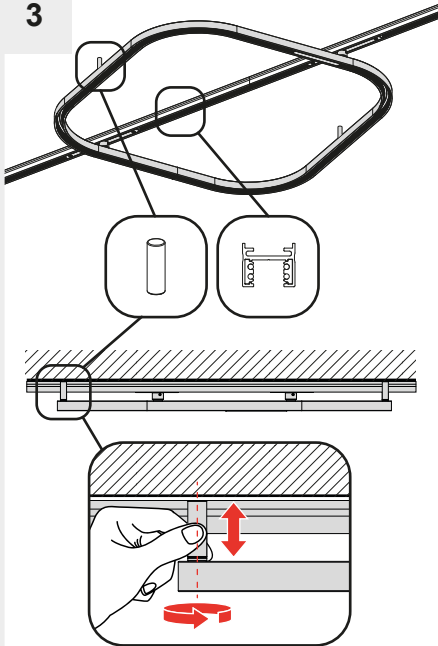
Y513001475

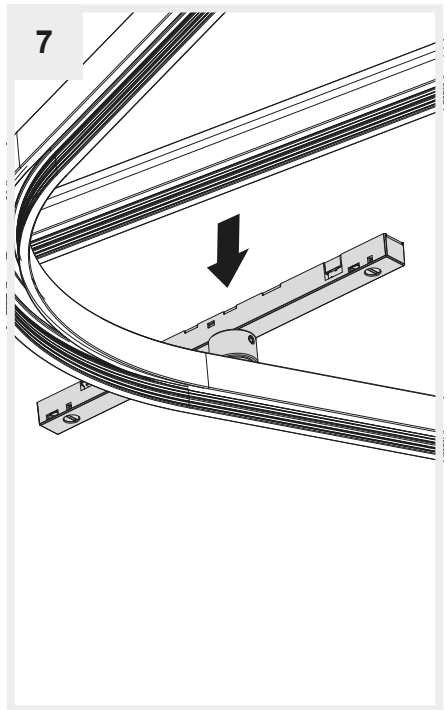
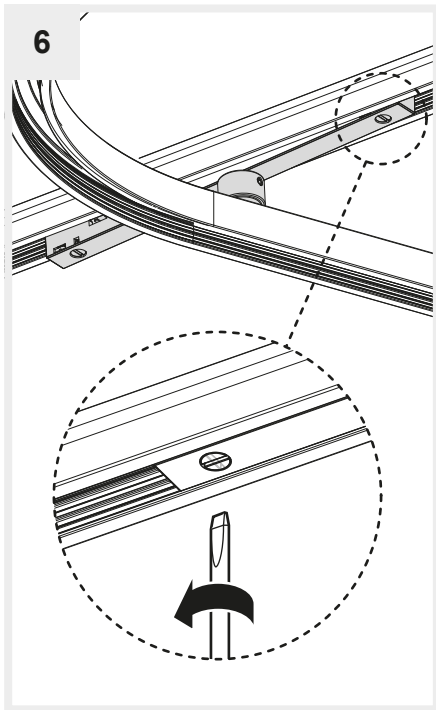
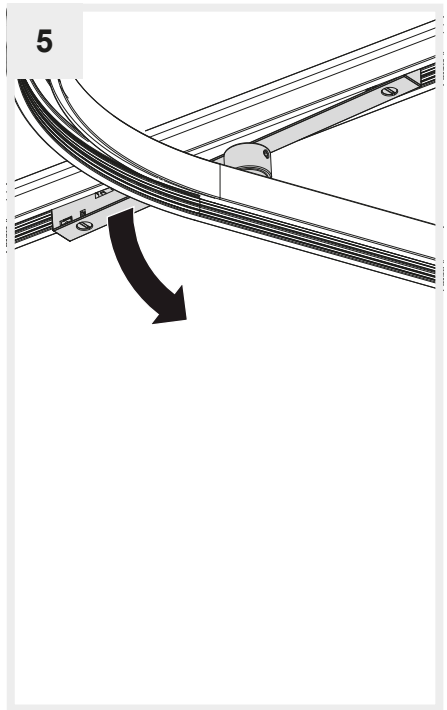
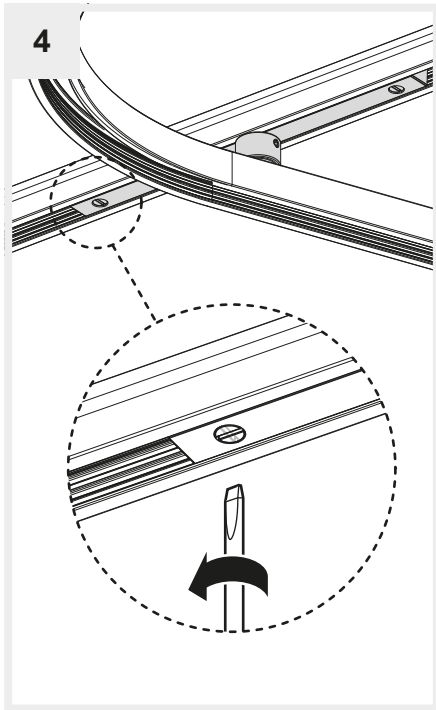
VECTOR 30 / 40 PENDANT TRACK

SHARPING 8X LED

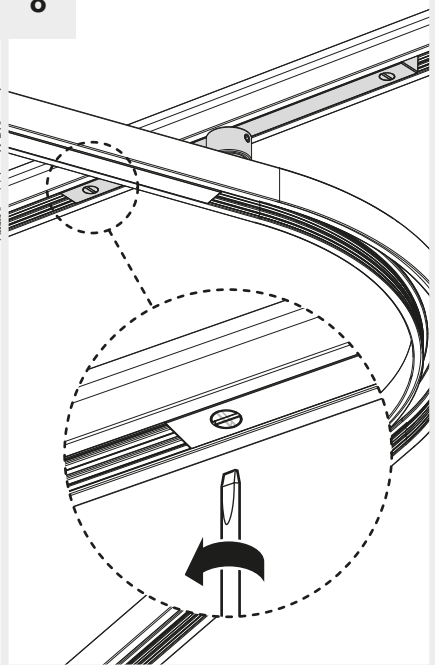
Y513001477

3

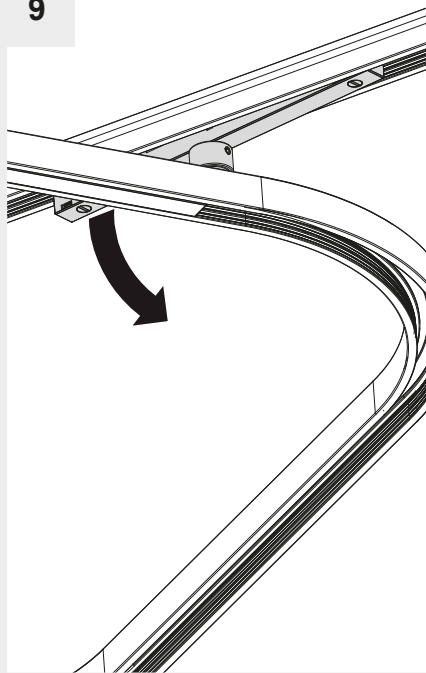




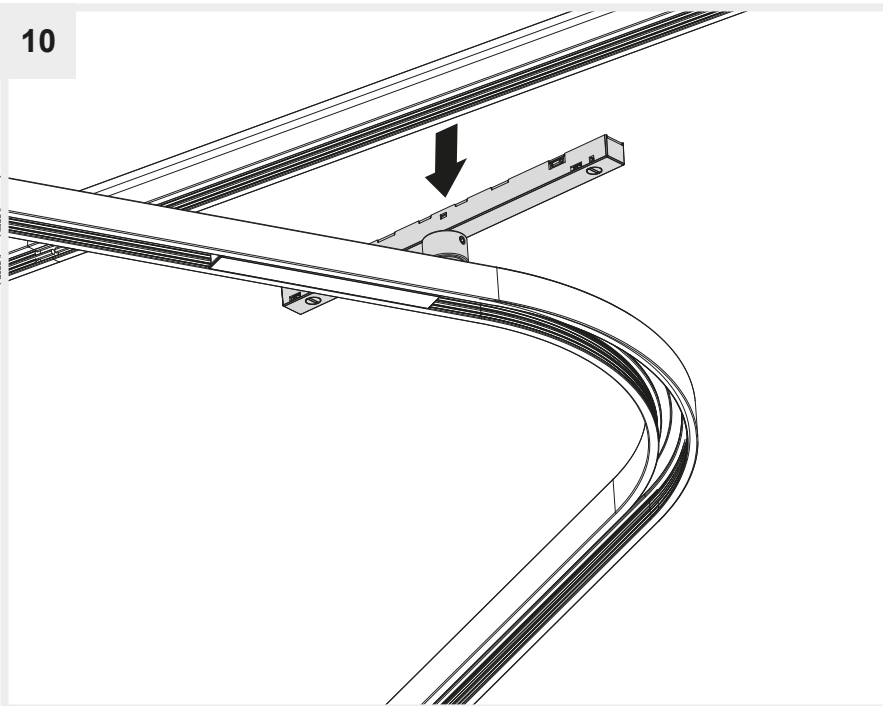
8

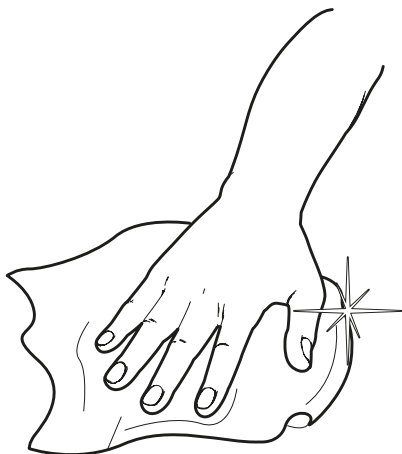


9

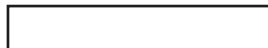


10





Artemide®



Artemide

via Bergamo, 18
20010 Pregnana M.se (MI)
ITALIA

tel. +39 02 935 181
fax +39 02 935 90 254
fax +39 02 935 90 496

www.artemide.com

VAT IT00846890150

Artemide Inc.

250 Karin Lane
Hicksville, NY 11801

tel. 631 694 9292
Toll Free 1-877-Art-9111
Fax 631 694 9275

www.artemide.net

Artemide Ltée/Ltd.

11105 rue Renaude Lapointe
Montréal, Québec H1J 2T4

Tel. 514 323 6537
Toll Free 888 777 2783
Fax 514 323 8864

www.artemide.net

cod. Y513001476D