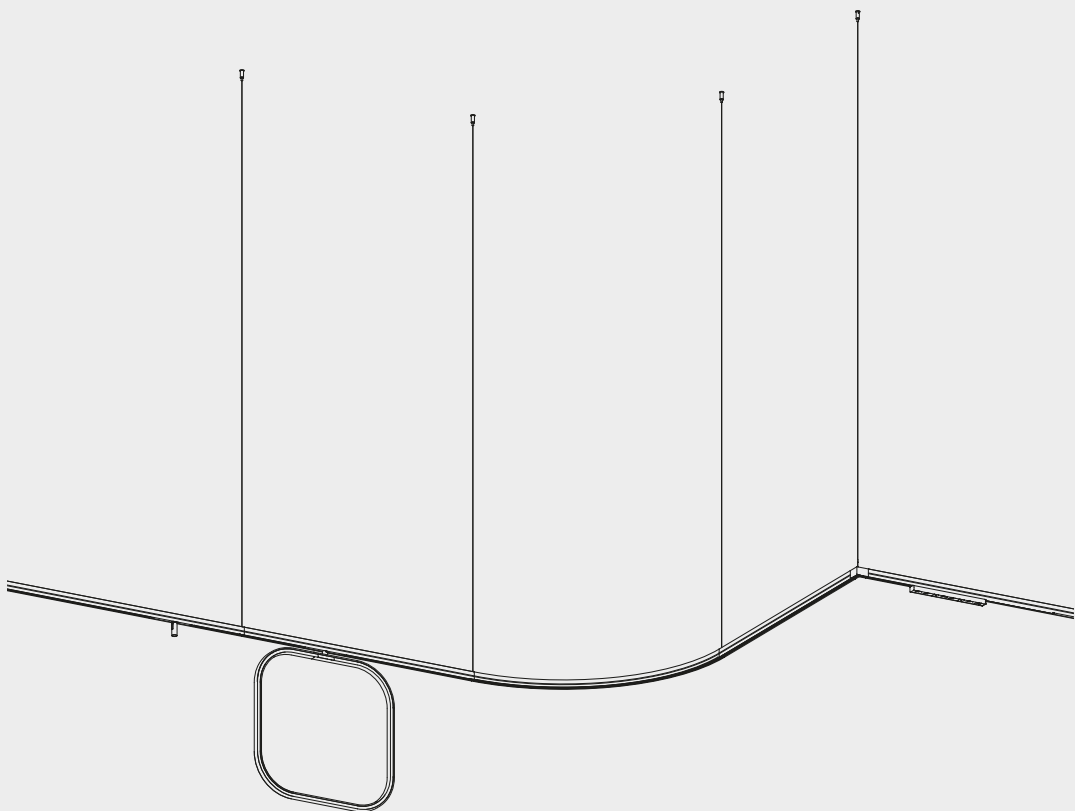


Artemide®

TURN AROUND SYSTEM SUSPENSION DIRECT / INDIRECT EMISSION

design
Carlotta de Bevilacqua

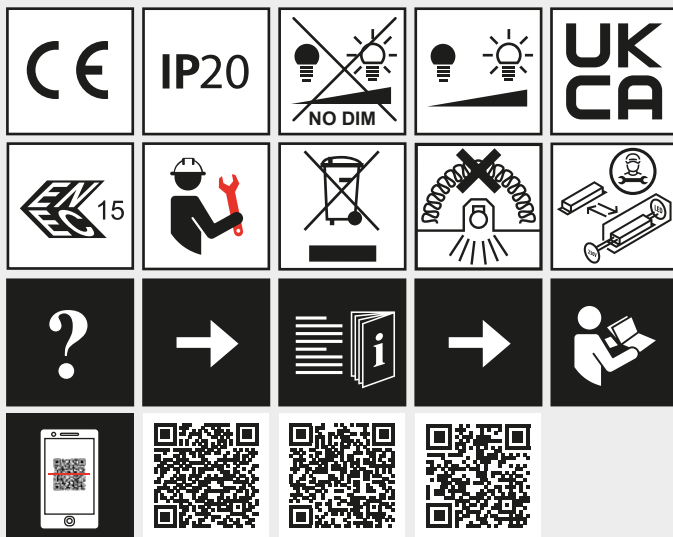
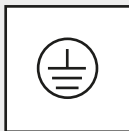




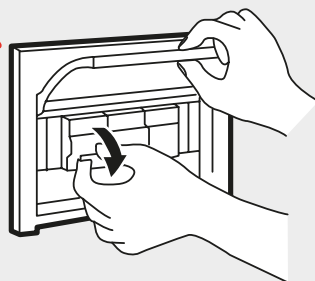
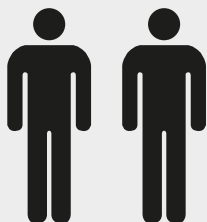
i

TRACK

POWER KIT



Artemide App
Quick Starting Guide





IT ATTENZIONE

- Tutte le operazioni devono essere eseguite da personale specializzato, è responsabilità dell'utente assicurare tutte le compatibilità tra il sistema di binari e gli apparecchi.
- Rischio di scossa elettrica - collegare solo all'alimentazione SELV 48V DC con segnale di controllo SELV - non collegare mai alla tensione di rete.
- Il sistema di binari di classe III non è compatibile con il sistema di binari di classe I e di classe III di altri produttori.
- Il carico meccanico deve essere inteso come il carico completo dell'intero sistema.

EN WARNING

- All operations must be done by specialized personnel, it is user's responsibility to ensure all compatibilities between track system and luminaires.
- Risk of electric shock – connect only to 48V DC SELV supply with SELV control signal only – never connects to mains voltage.
- Class III track system is not compatible with class I track system and class III track system from other manufacturer.
- Mechanical loading shall be intended as the complete loading of the whole system.

FR AVERTISSEMENT

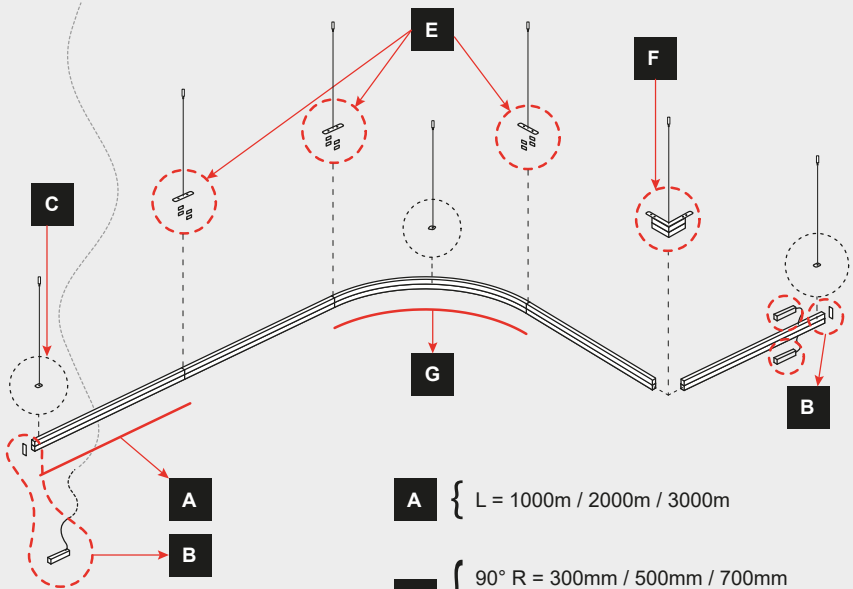
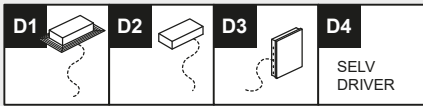
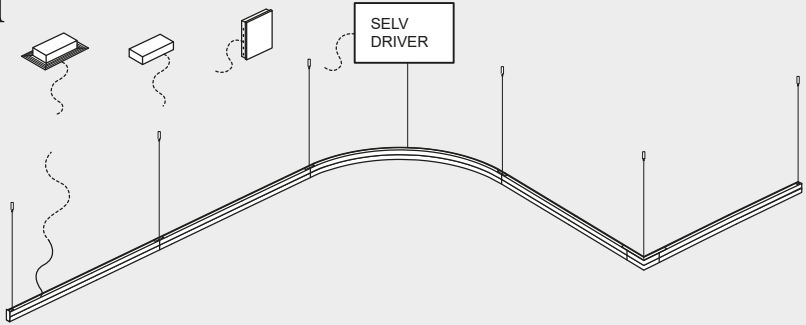
- Toutes les opérations doivent être effectuées par du personnel spécialisé, il est de la responsabilité de l'utilisateur de s'assurer de toutes les compatibilités entre le système de rails et les luminaires.
- Risque de choc électrique - connecter uniquement à l'alimentation SELV 48V DC avec le signal de contrôle SELV uniquement - ne jamais connecter à la tension du secteur.
- Le système de rails de classe III n'est pas compatible avec le système de rails de classe I et le système de rails de classe III d'un autre fabricant.
- Le chargement mécanique doit être compris comme le chargement complet de l'ensemble du système.

ES ADVERTENCIA

- Todas las operaciones deben ser realizadas por personal especializado, es responsabilidad del usuario asegurar todas las compatibilidades entre el sistema de carriles y las luminarias.
- Riesgo de descarga eléctrica - conecte sólo a la alimentación SELV de 48V DC con señal de control SELV - nunca conecte a la tensión de red.
- El sistema de carriles de clase III no es compatible con el sistema de carriles de clase I ni con el sistema de carriles de clase III de otro fabricante.
- La carga mecánica debe entenderse como la carga completa de todo el sistema.

DEU WARNUNG

- Alle Arbeiten müssen von Fachpersonal durchgeführt werden, es liegt in der Verantwortung des Anwenders, alle Kompatibilitäten zwischen Schienensystem und Leuchten sicherzustellen.
- Gefahr eines elektrischen Schlages - nur an 48V DC SELV-Versorgung mit SELV-Steuersignal anschließen - niemals an Netzspannung anschließen.
- Das Schienensystem der Klasse III ist nicht kompatibel mit dem Schienensystem der Klasse I und dem Schienensystem der Klasse III von anderen Herstellern.
- Die mechanische Belastung ist als vollständige Belastung des gesamten Systems zu verstehen.

i

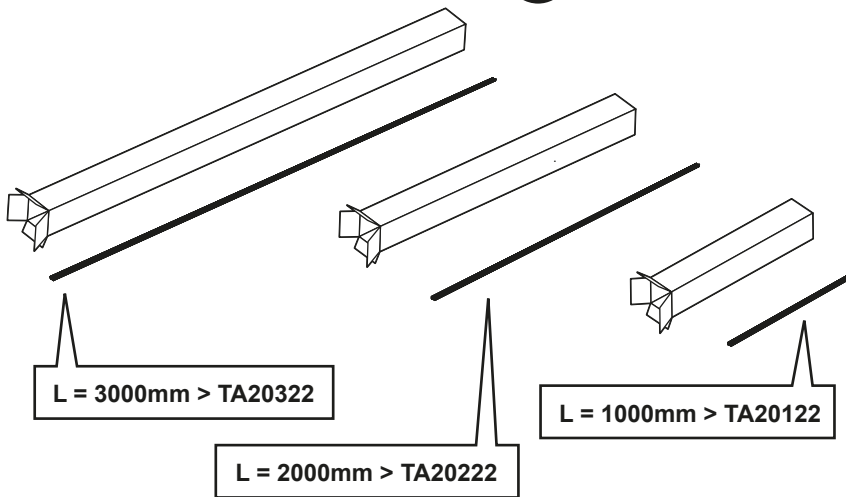
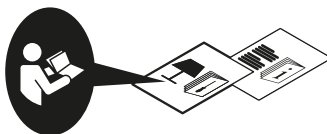
A { L = 1000m / 2000m / 3000m

G {
 90° R = 300mm / 500mm / 700mm
 60° R = 300mm / 500mm / 700mm
 45° R = 300mm / 500mm / 700mm

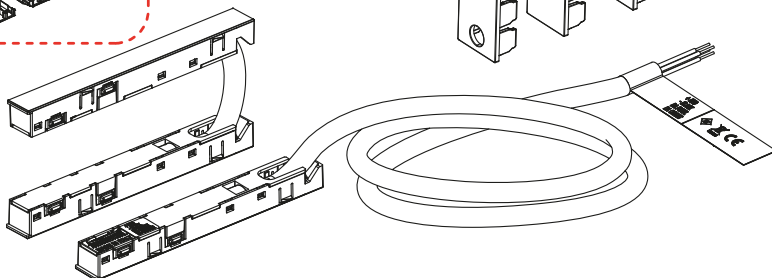
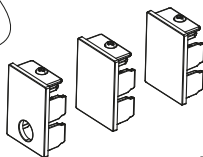
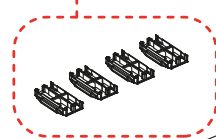
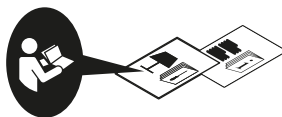
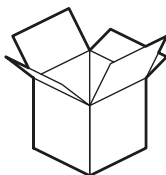
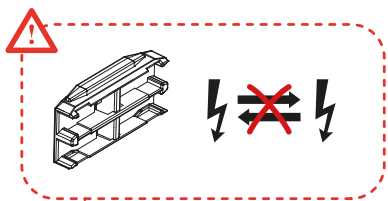
A	Fig. 1	D1	Fig. 28	D4	Fig. 74
F	Fig. 24	D2	Fig. 47		
G	Fig. 27	D3	Fig. 61		



A

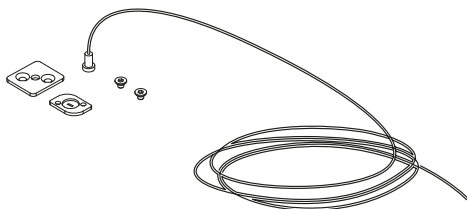
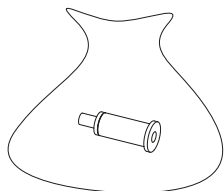
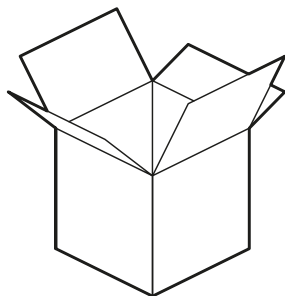
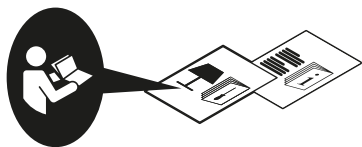


B

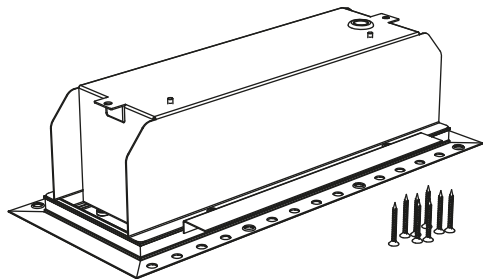
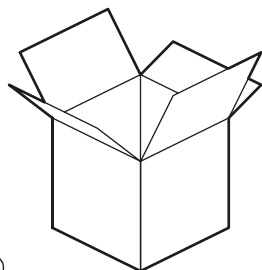
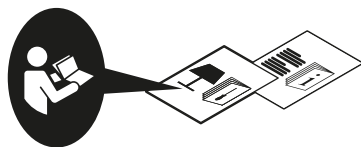




C

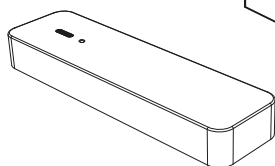
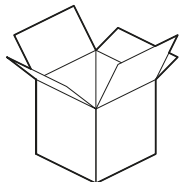
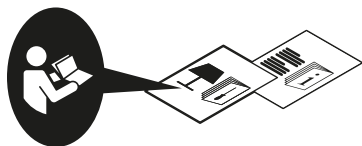


D1

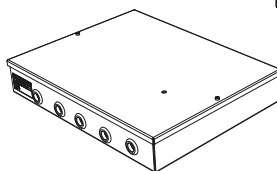
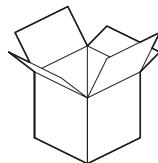
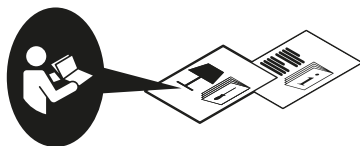




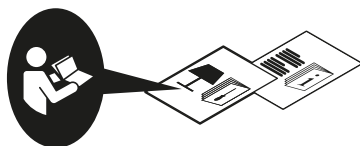
D2



D3



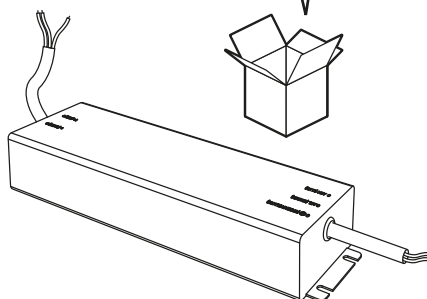
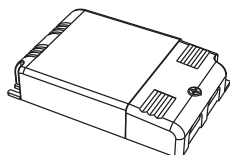
D4



TA98000
TA98100

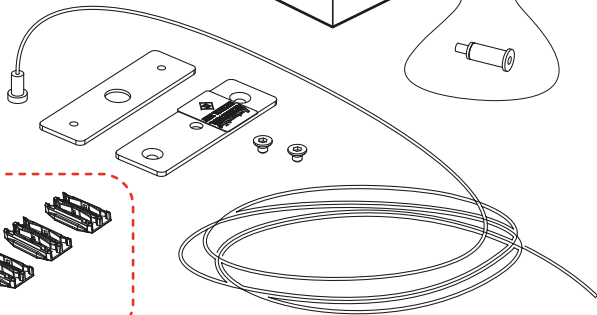
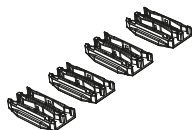
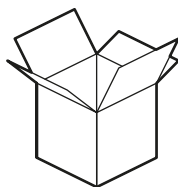
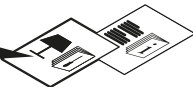
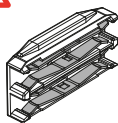


DV1061

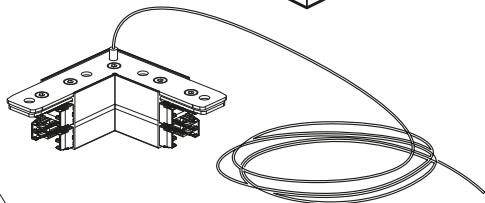
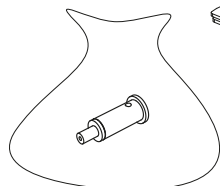
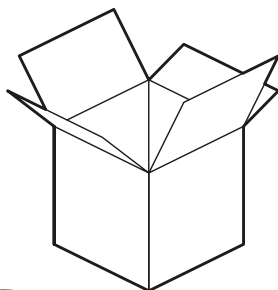
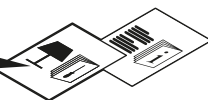




E



F

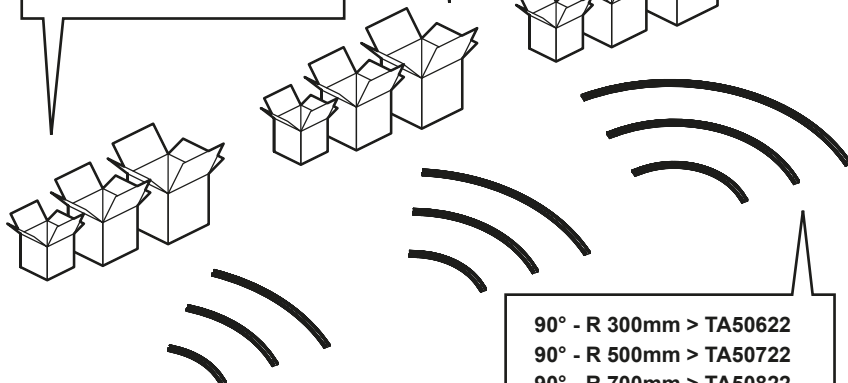


**G**

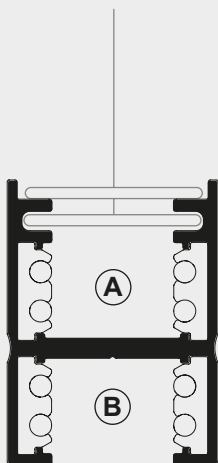
60° - R 300mm > TA50322
 60° - R 500mm > TA50422
 60° - R 700mm > TA50522



45° - R 300mm > TA50022
 45° - R 500mm > TA50122
 45° - R 700mm > TA50222



90° - R 300mm > TA50622
 90° - R 500mm > TA50722
 90° - R 700mm > TA50822

i

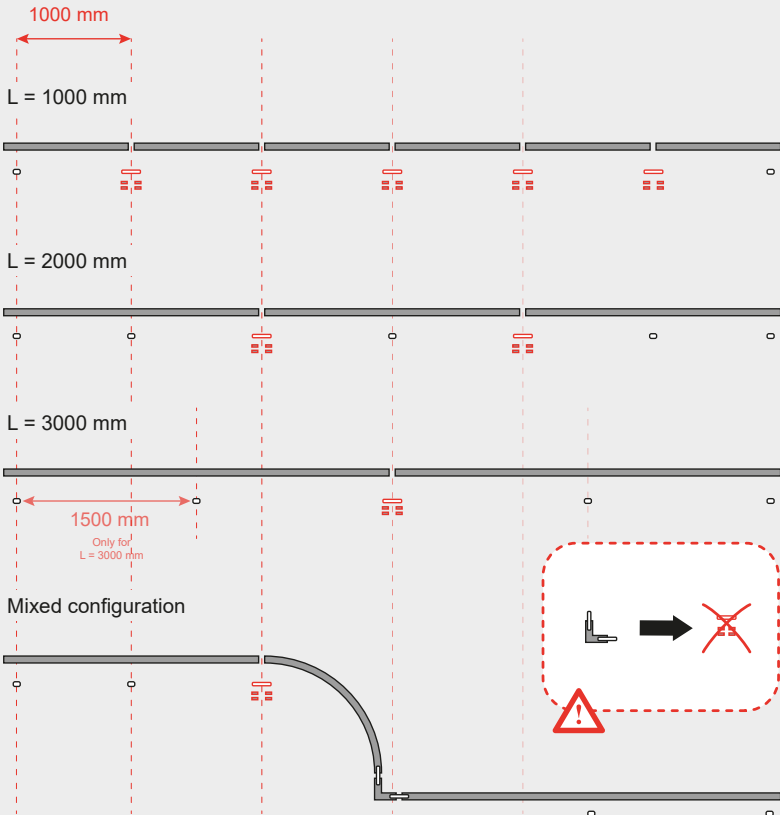
	A	B
VECTOR 20 TRACK	✓	✓
VECTOR 30 TRACK	✓	✓
VECTOR 40 TRACK	✓	✓
VECTOR 20 PENDANT TRACK	✗	✓
VECTOR 30 PENDANT TRACK	✗	✓
SHARPING 8X LED	✗	✓
SHARPING 12X LED	✗	✓
STRIP LED*	✓	✓
SQUARE HORIZONTAL	✗	✓
SQUARE HORIZONTAL TRACK	✗	✗
SQUARE VERTICAL	✗	✓

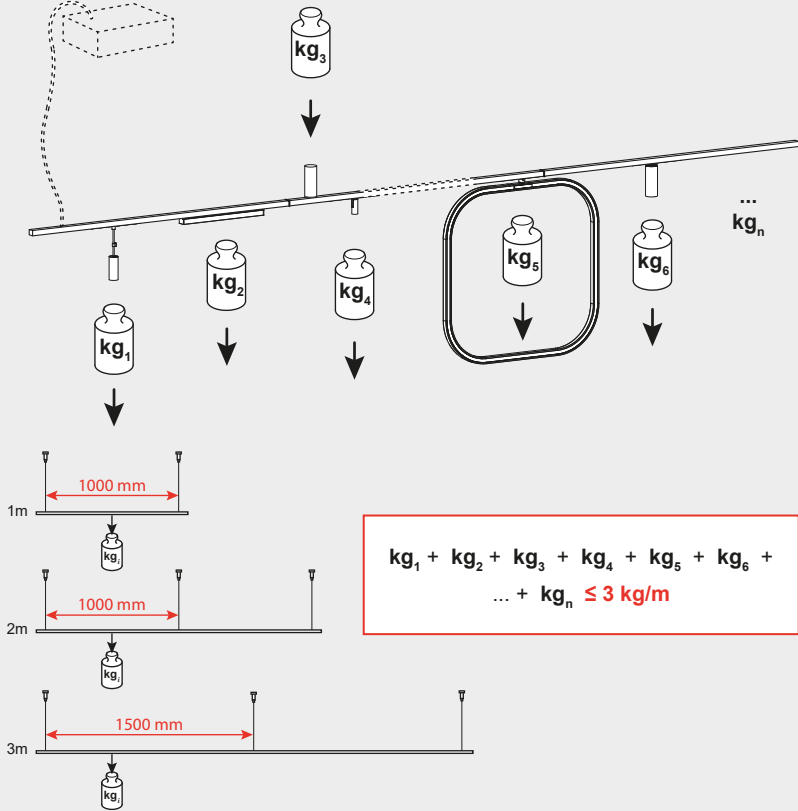
**Y513001529**

i

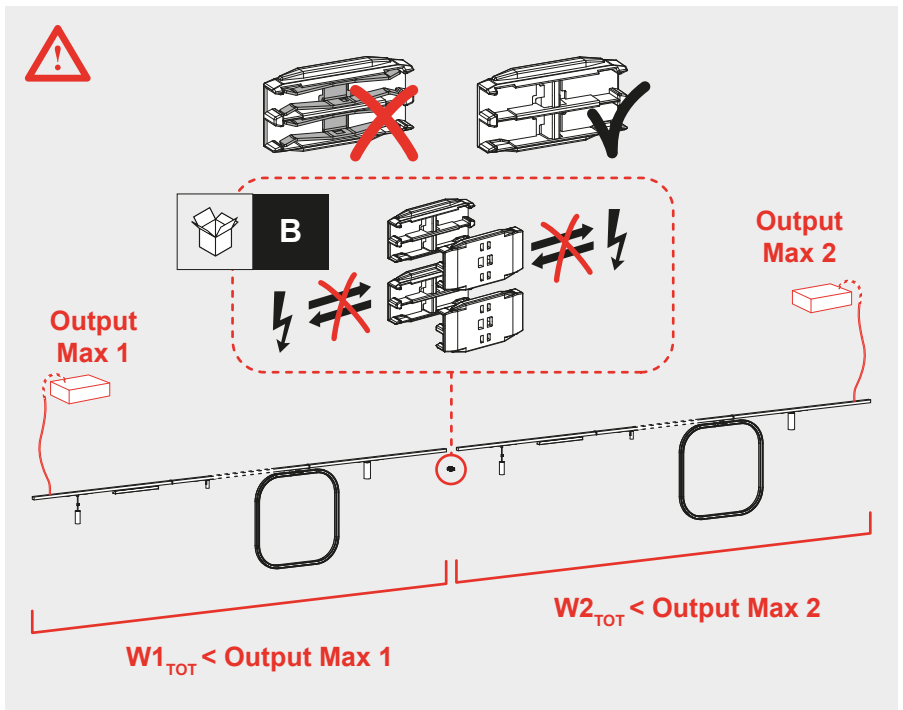
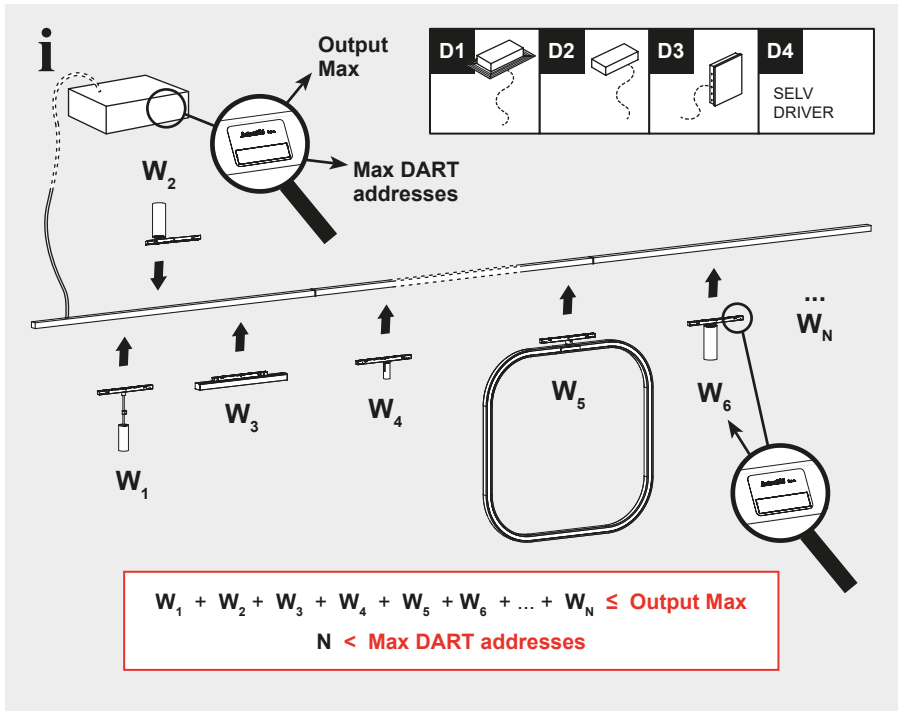


90° - R 300 / 500 / 700 mm
60° - R 300 / 500 / 700 mm
45° - R 300 / 500 / 700 mm

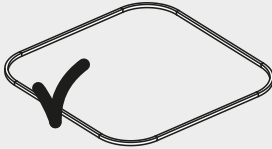
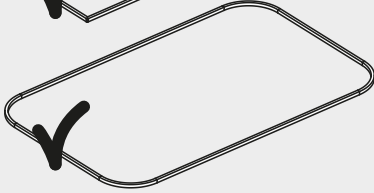
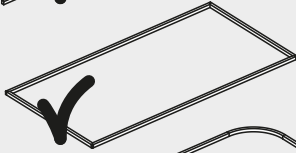


i**i**

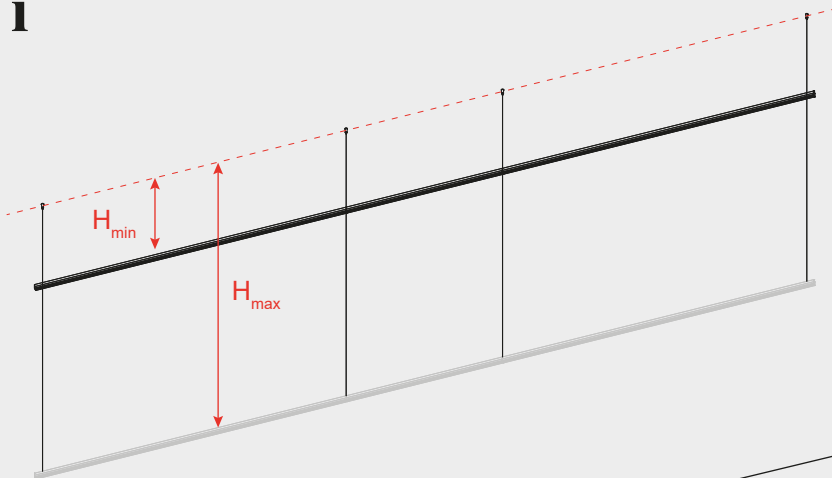
Output max = Max admitted power [W]	Inrush current (typ @230VAC) [A]	t_{width} measured at 50% Ipeak [msec]	Number of power unit under same MCB			
			B16A	B25A	C16A	C25A
270	70	1011	1	1	2	2
210	75	570	2	3	4	5
125	65	550	3	4	6	7



i

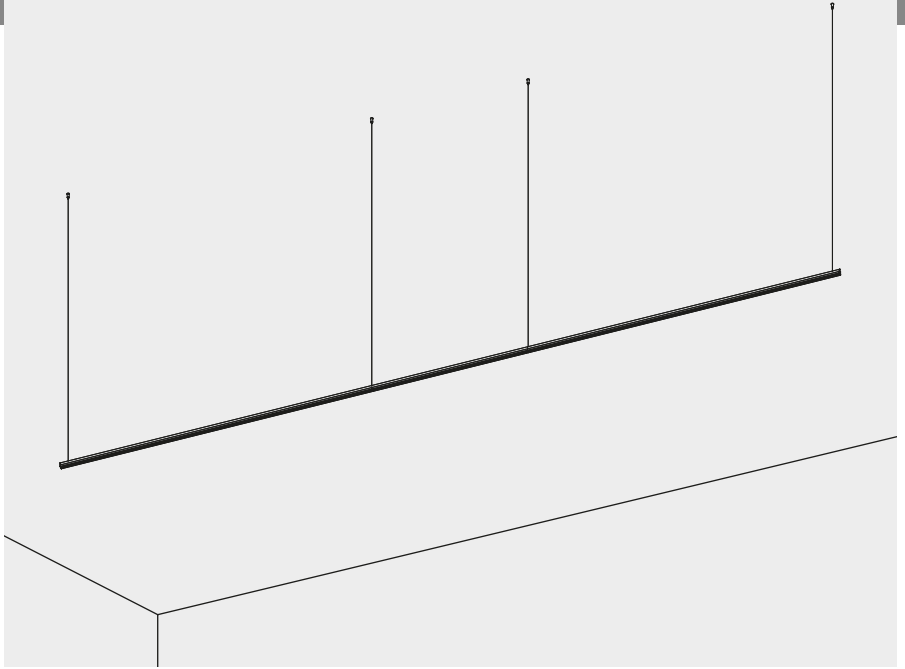


i



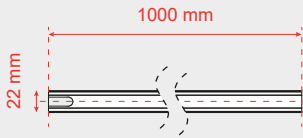
H_{min} 300 mm - H_{max} 2000 mm

A

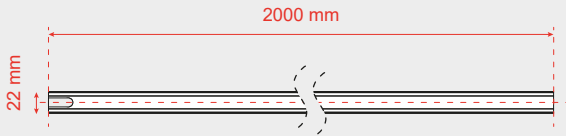


i

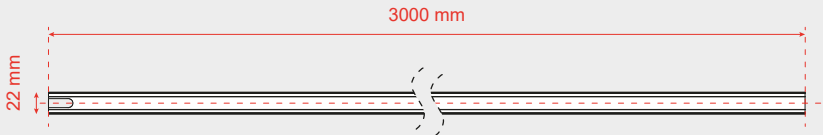
L = 1000 mm

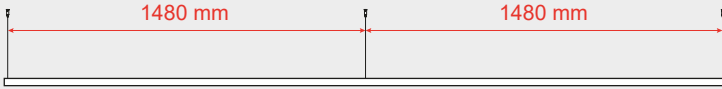
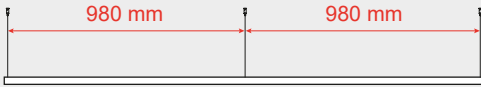
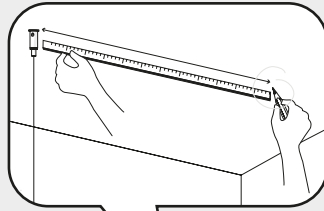
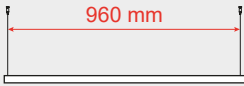
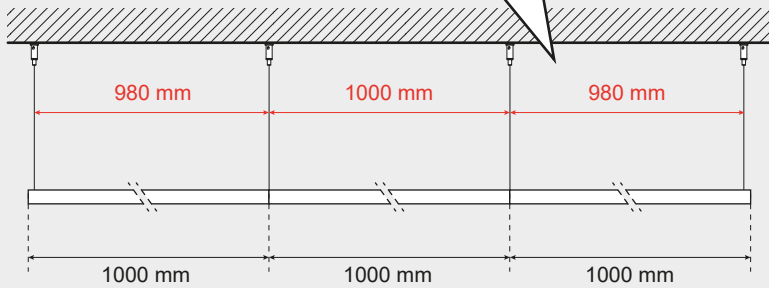
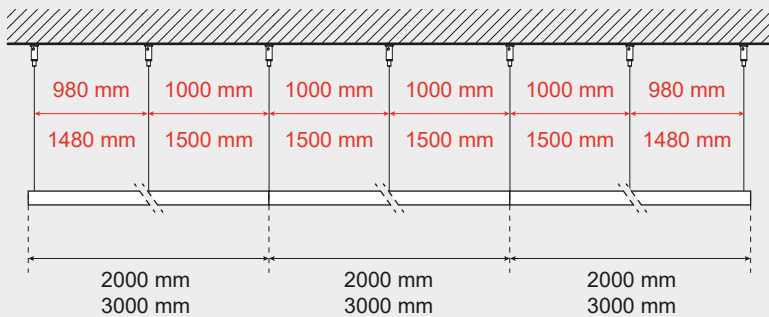


L = 2000 mm

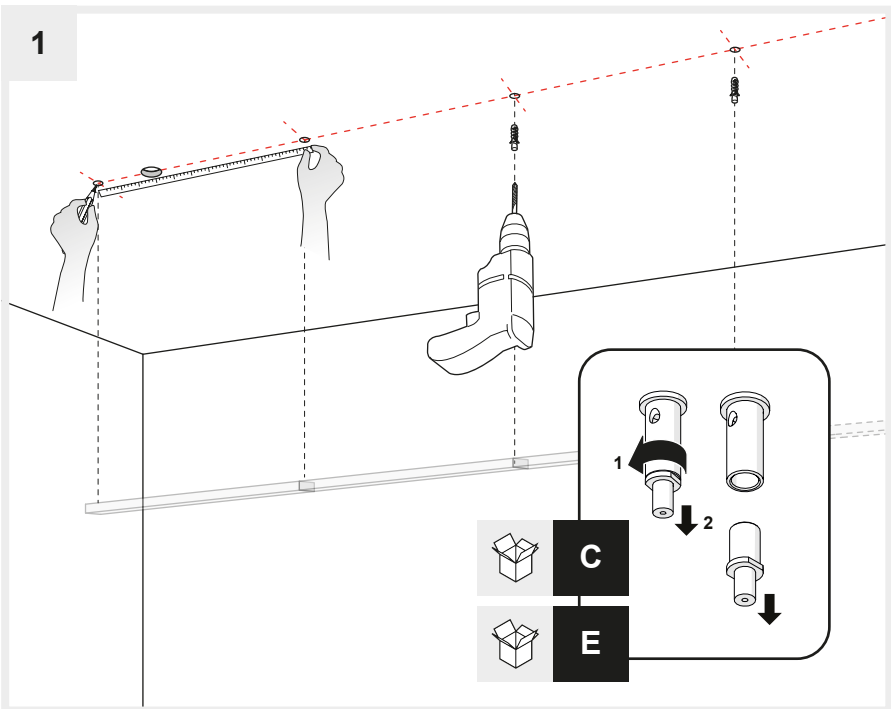


L = 3000 mm

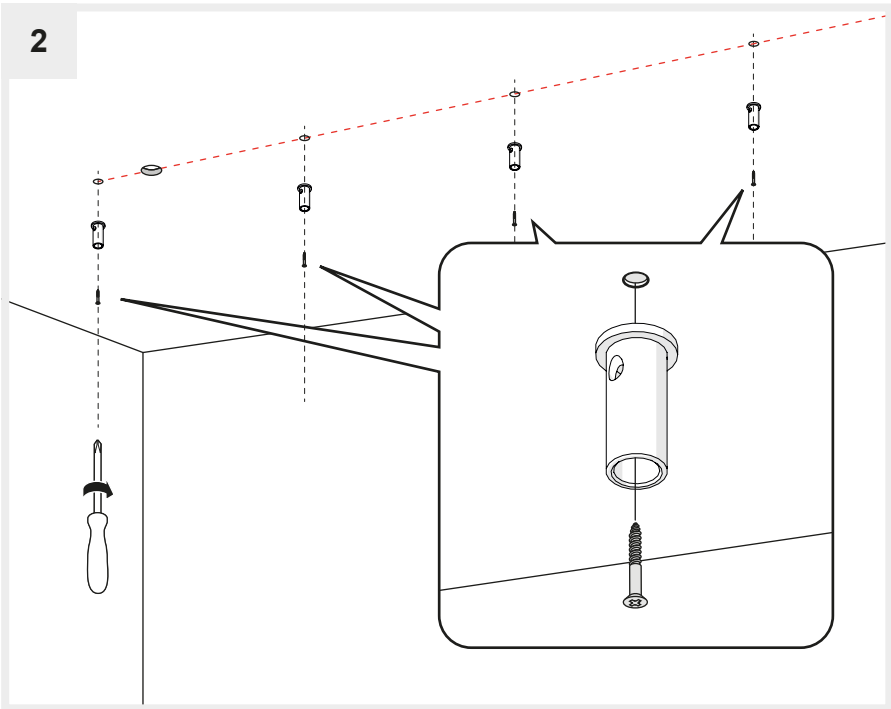


i**L = 3000 mm****L = 2000 mm****L = 1000 mm****L = 1000 mm****L = 2000 / 3000 mm**

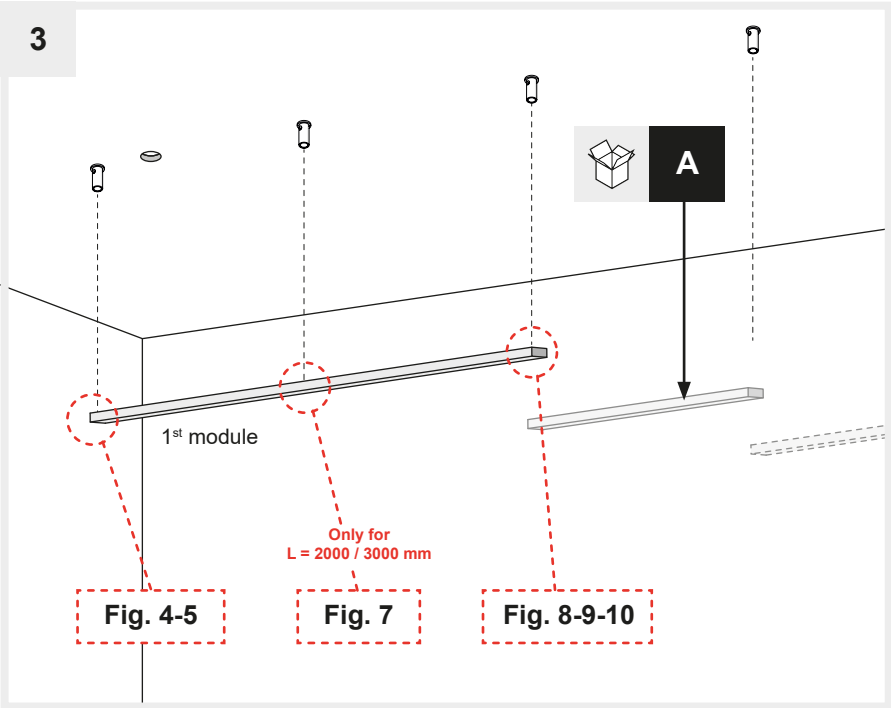
1



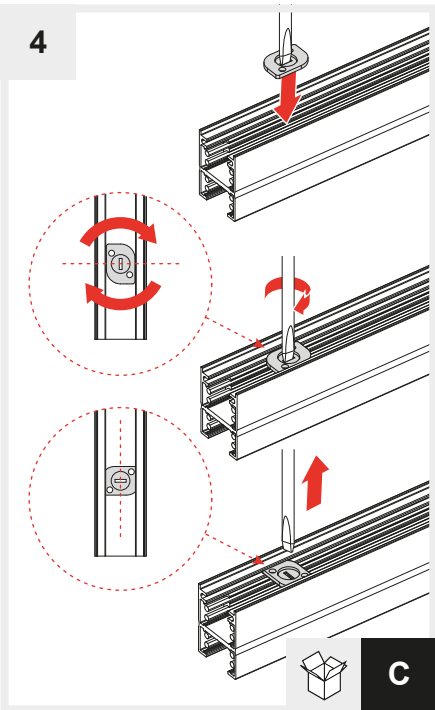
2



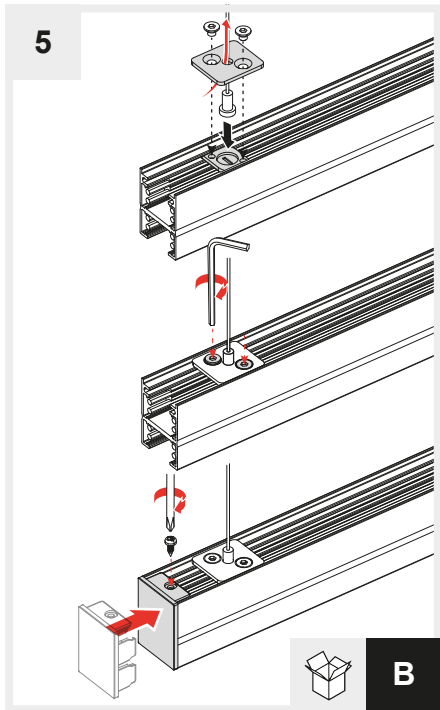
3

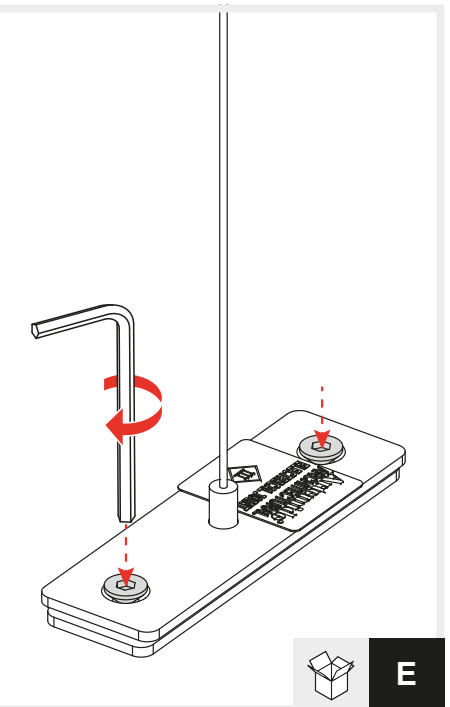
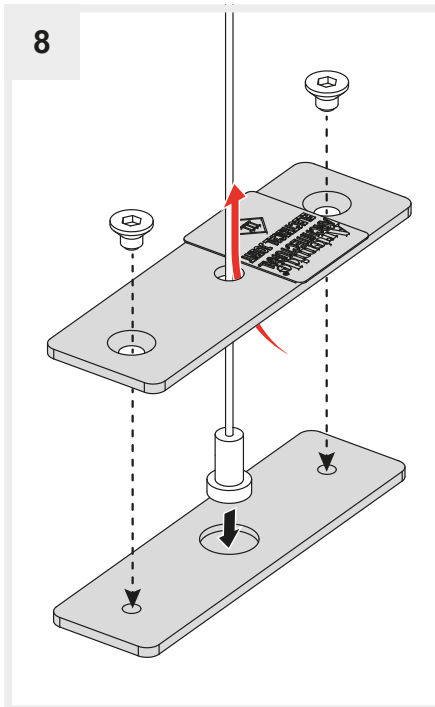
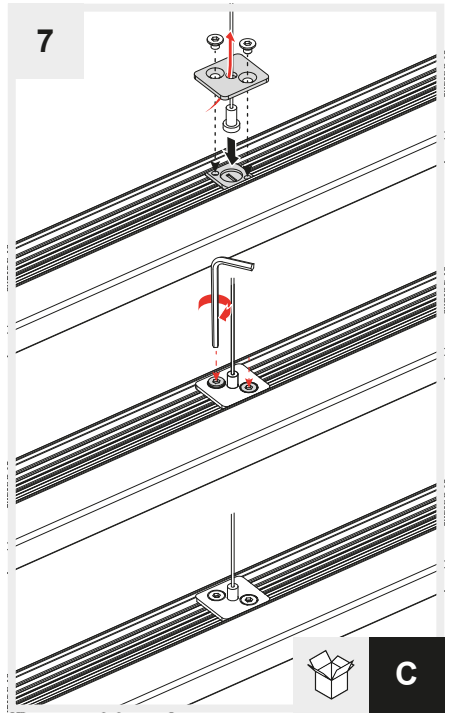
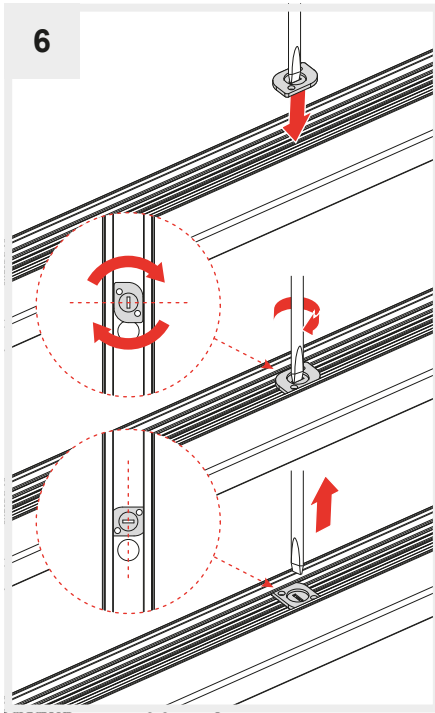


4

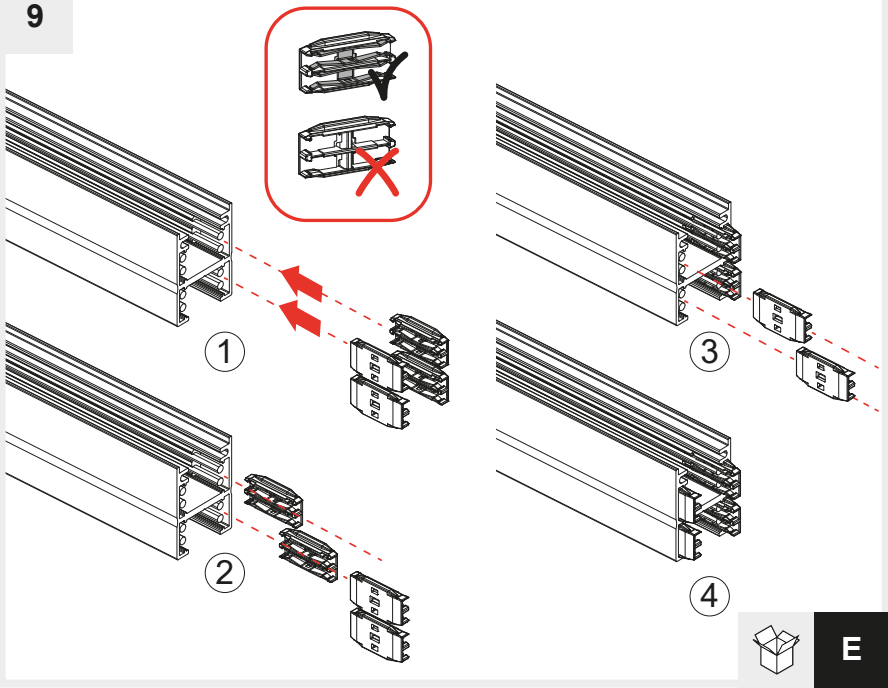


5

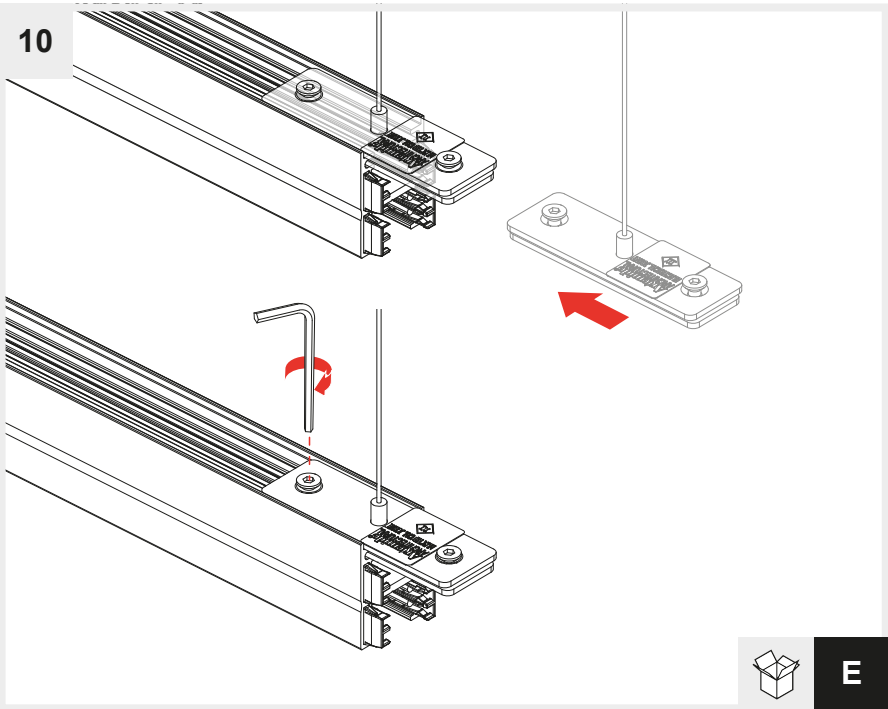




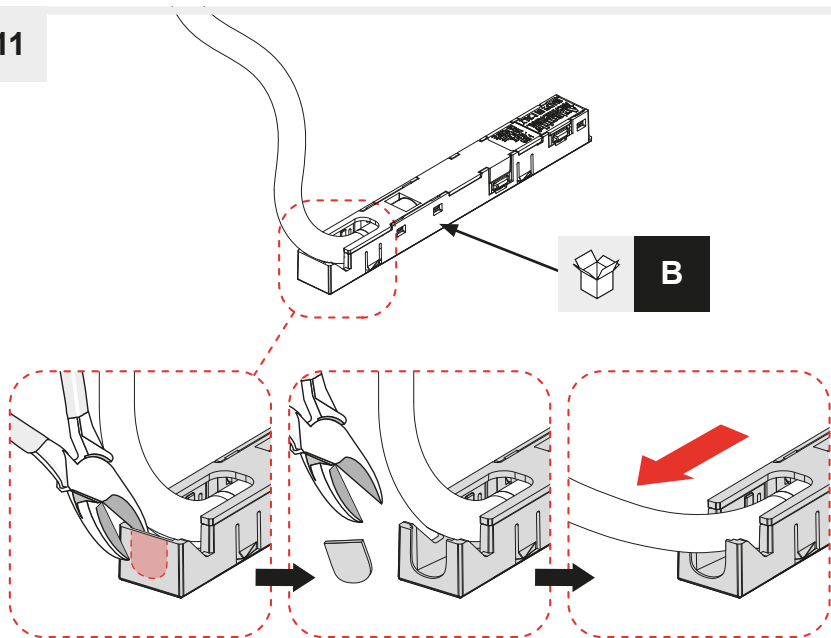
9



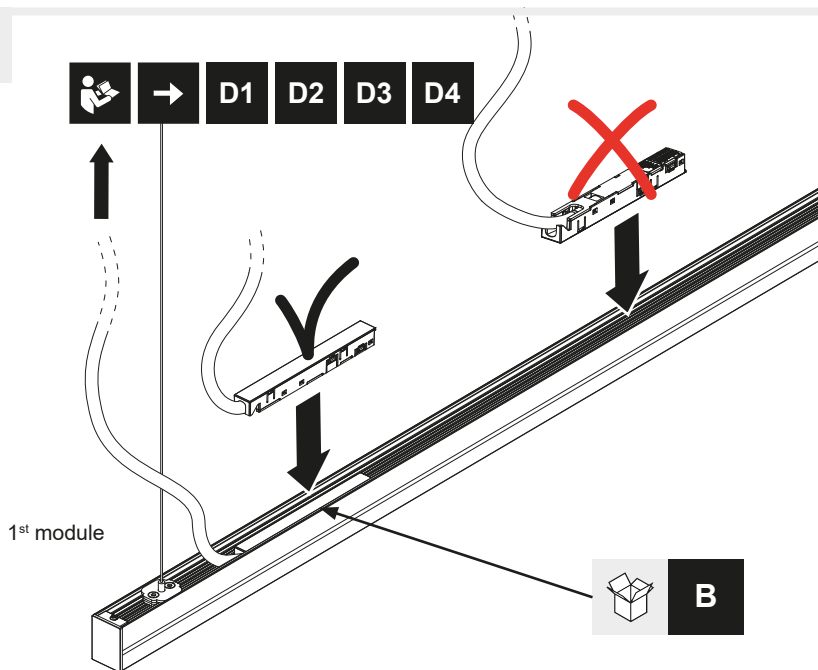
10



11

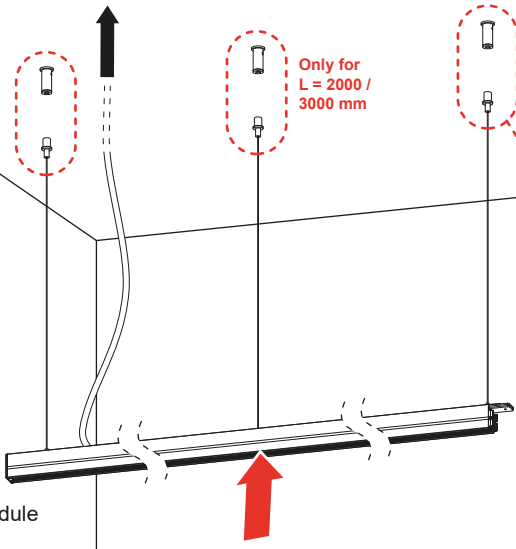


12



13

 → D1 D2 D3 D4

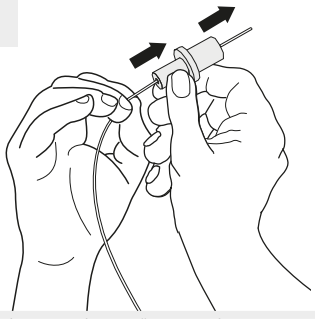


Only for
L = 2000 /
3000 mm

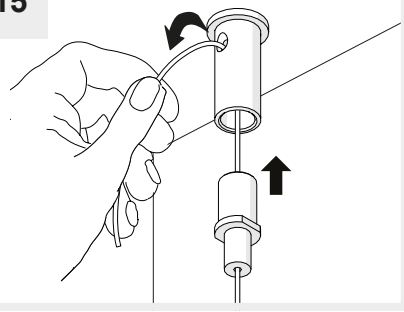
Fig. 14 > 18

1st module

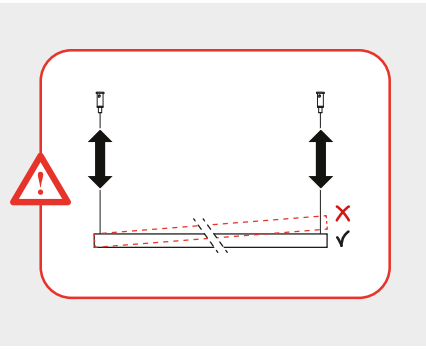
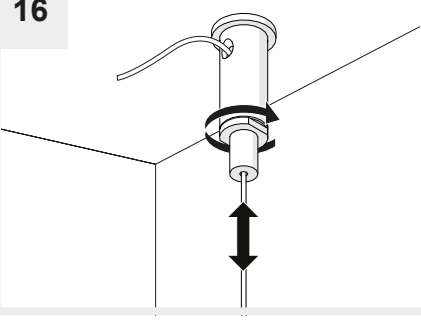
14



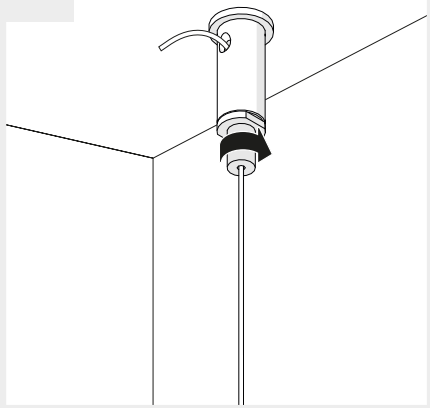
15



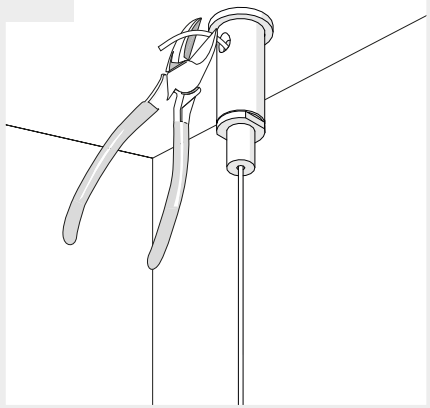
16



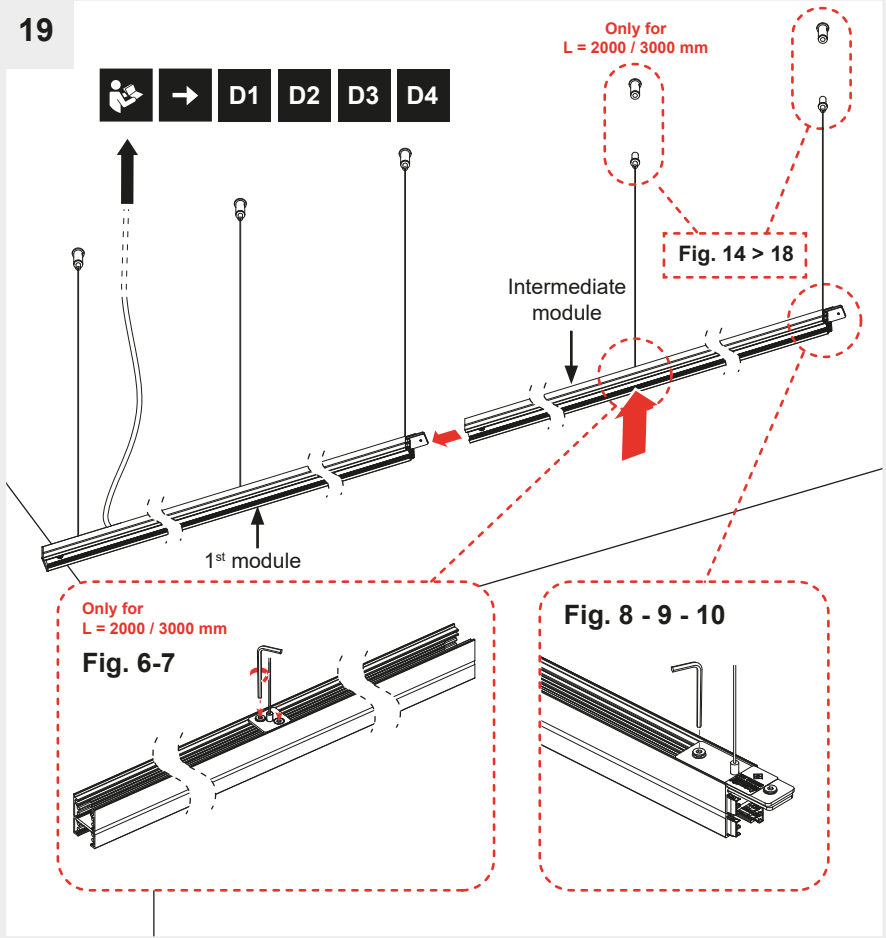
17



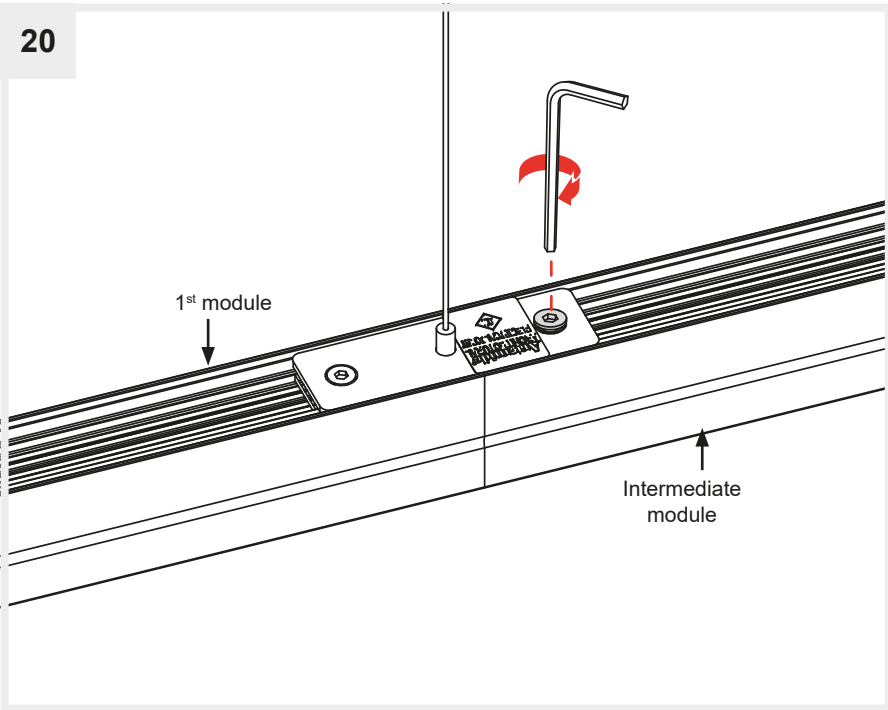
18



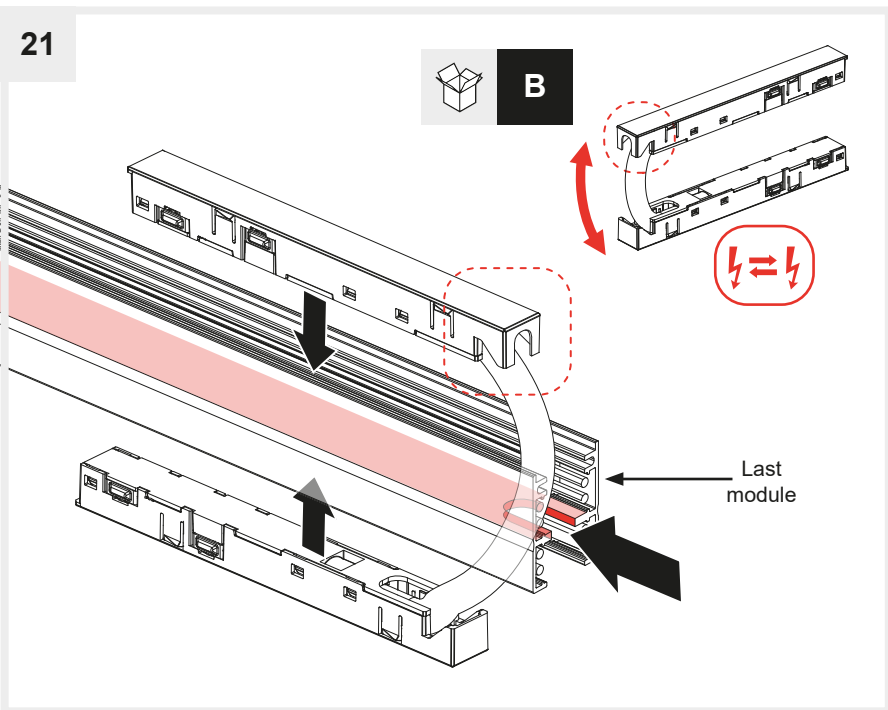
19



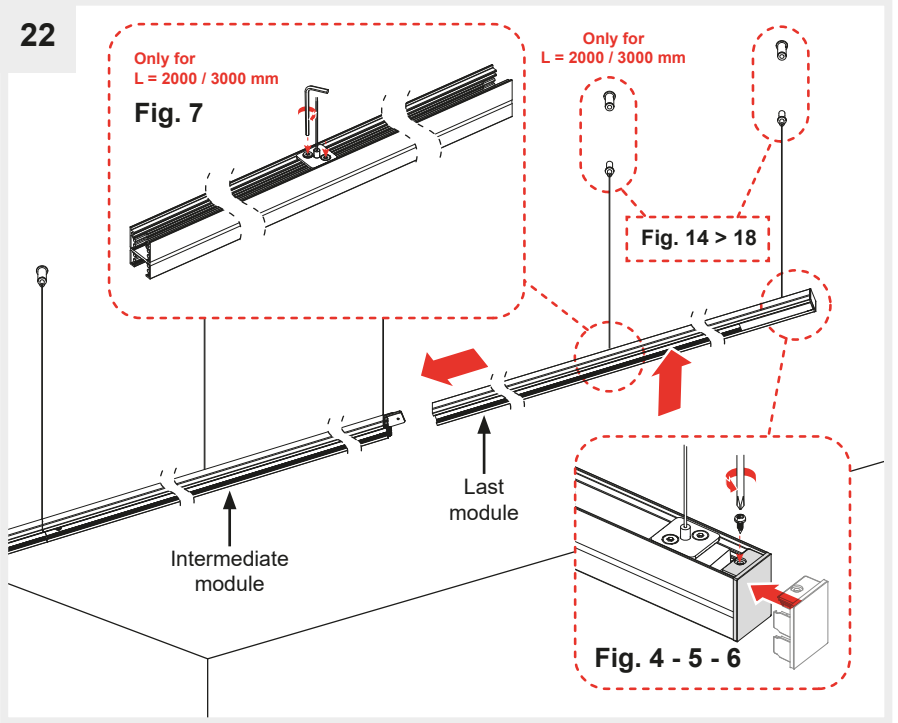
20



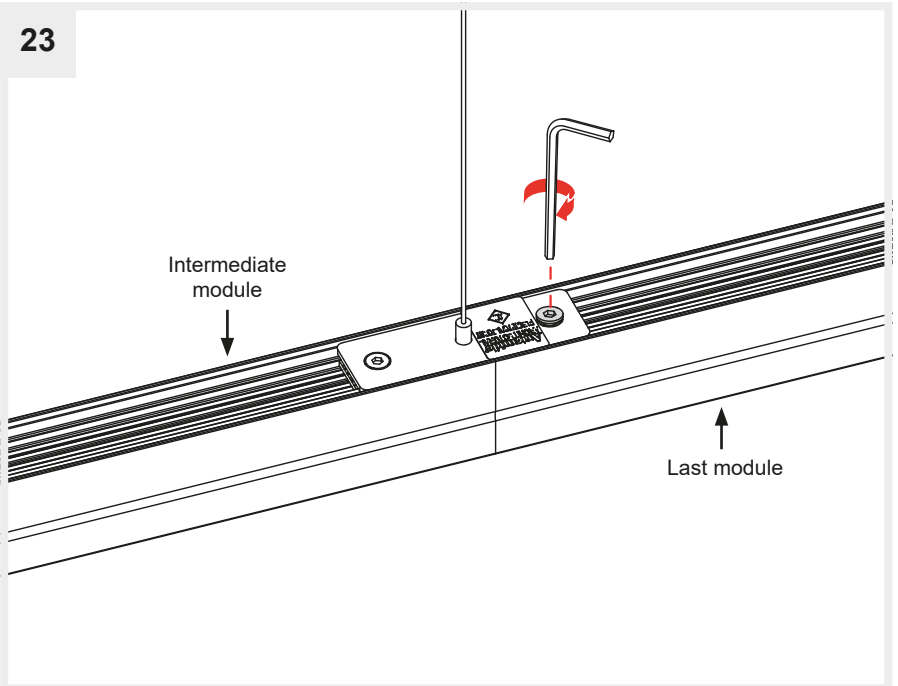
21

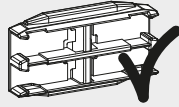
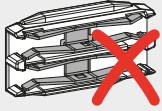


22

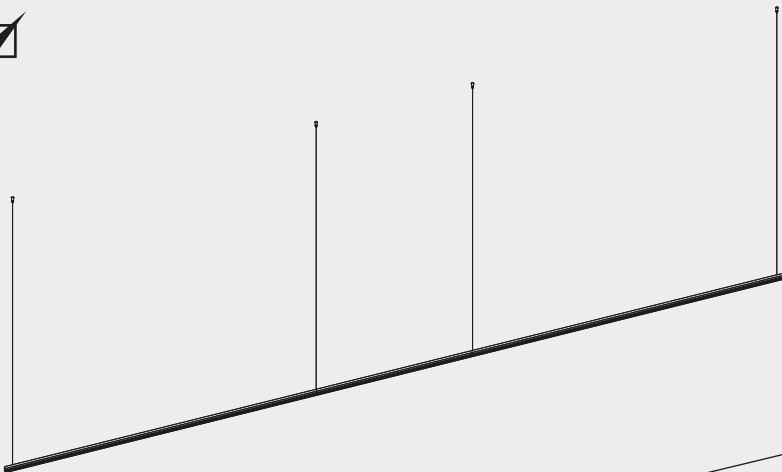
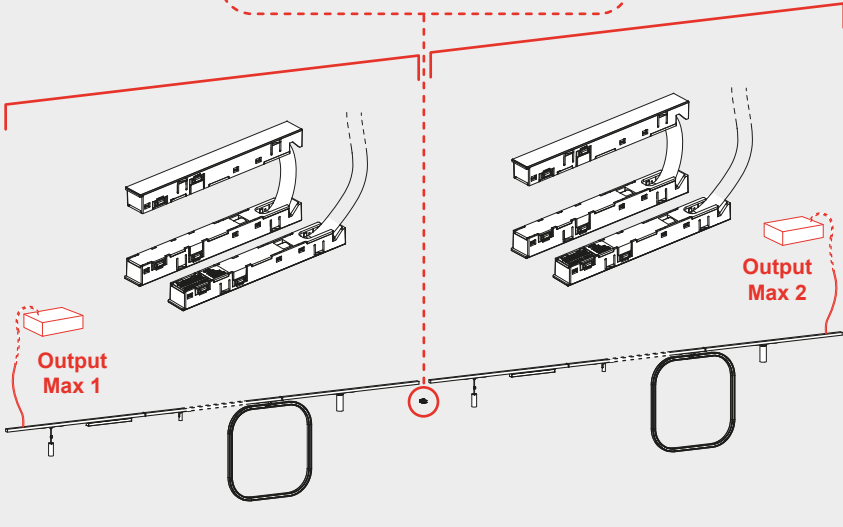
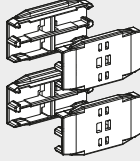


23

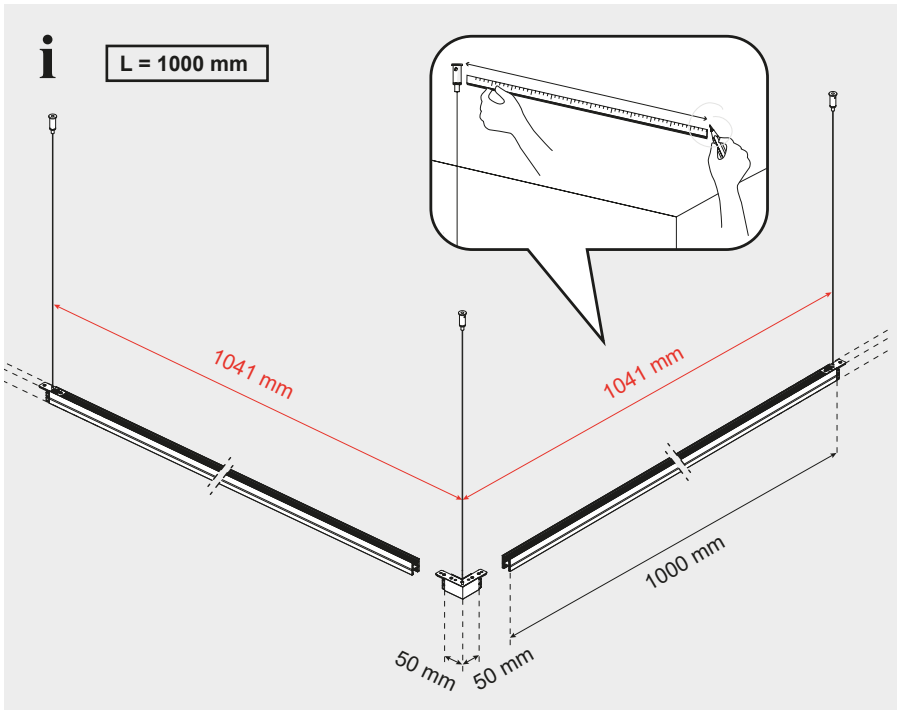
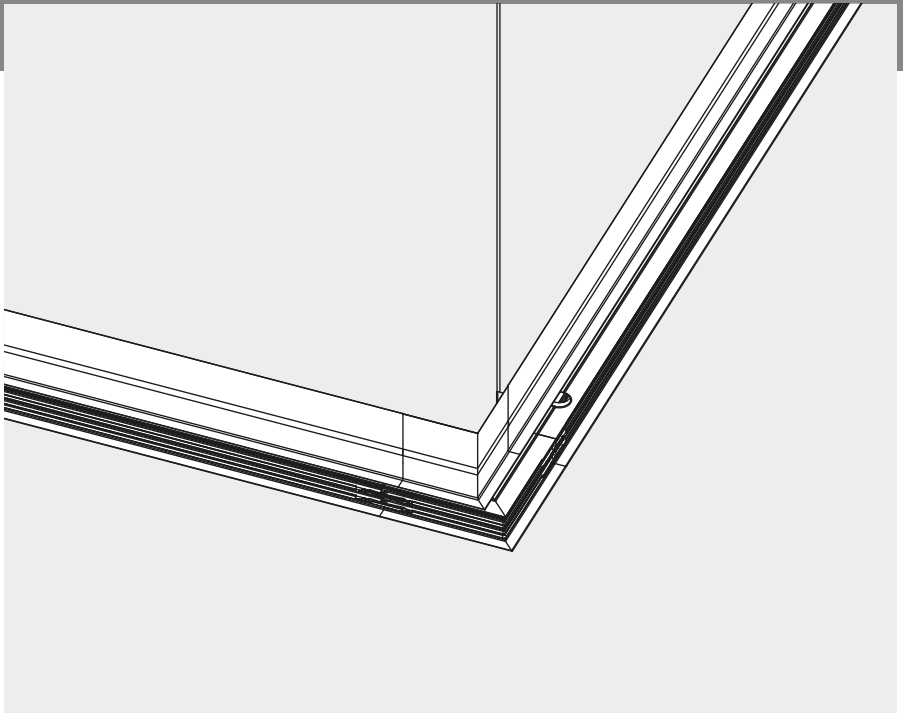


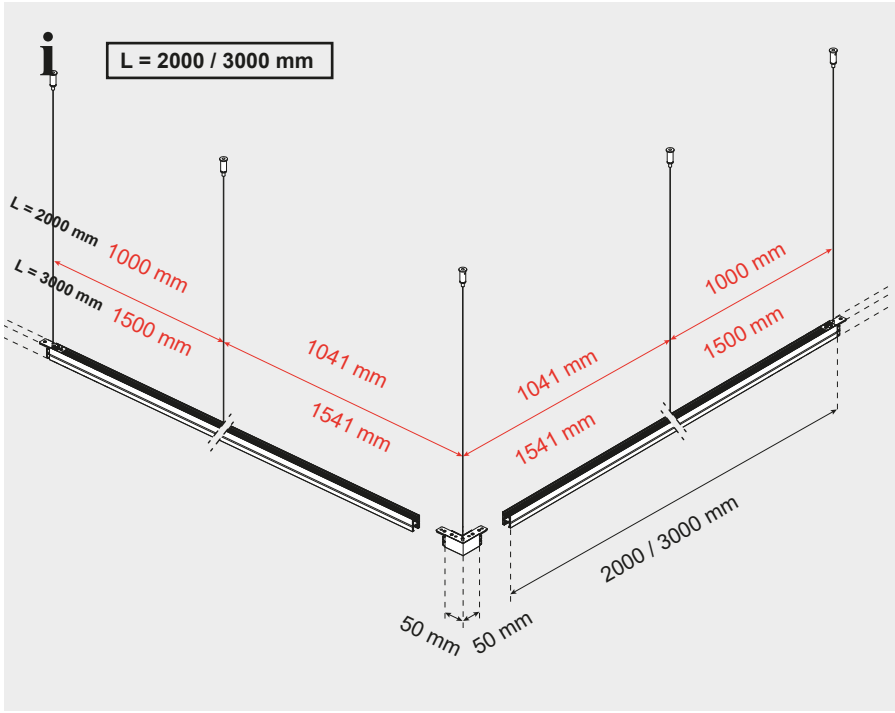


B



F

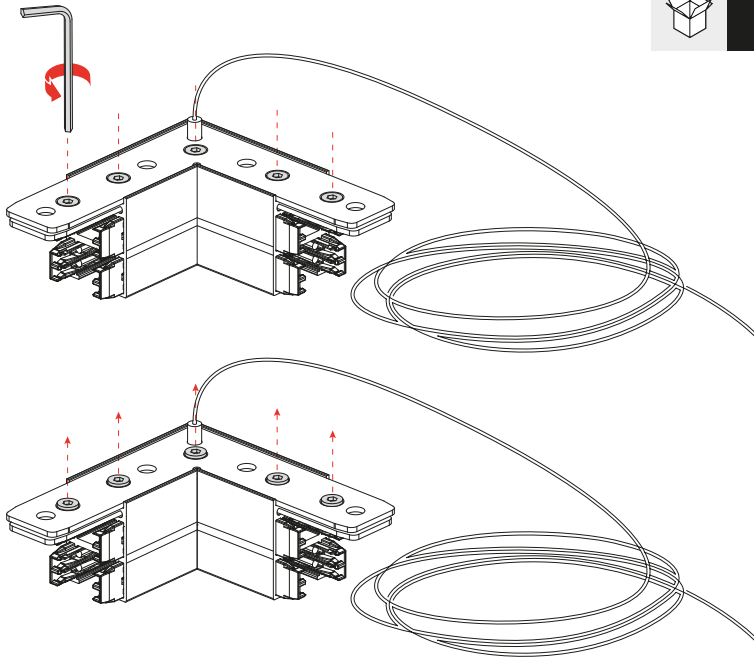


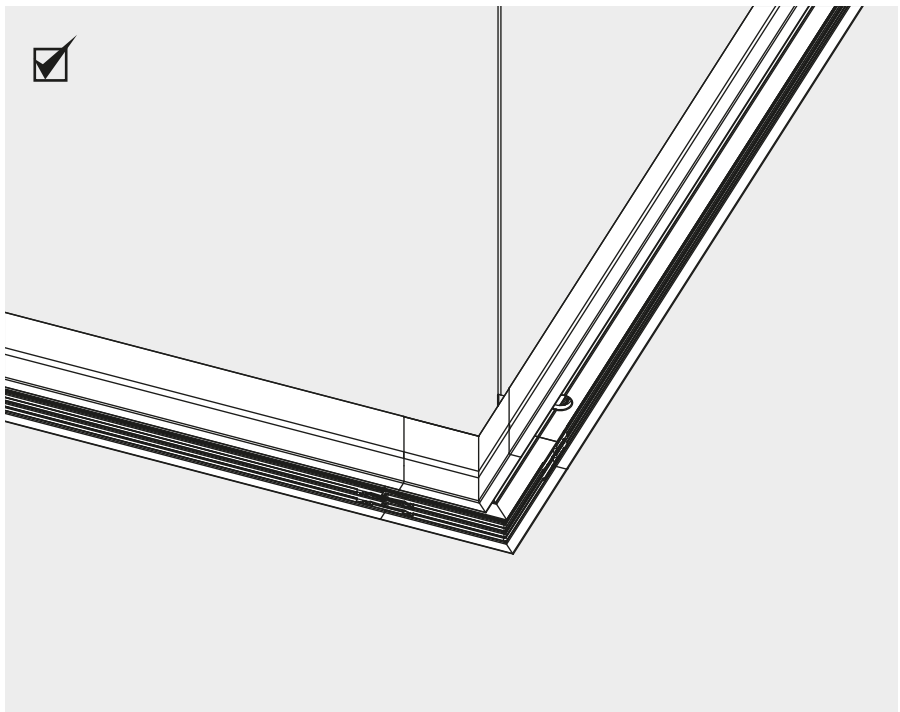
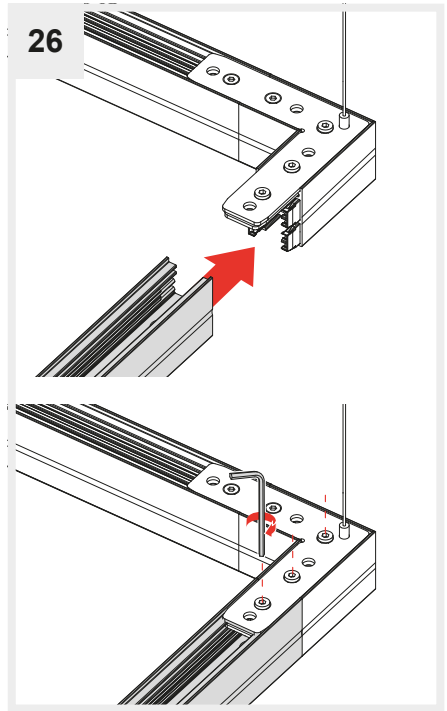
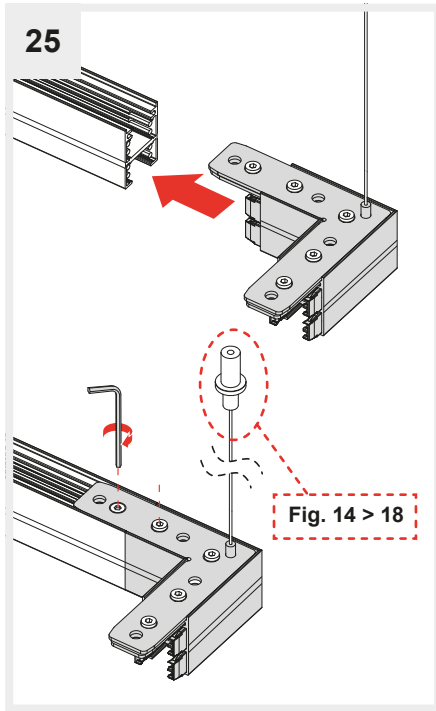


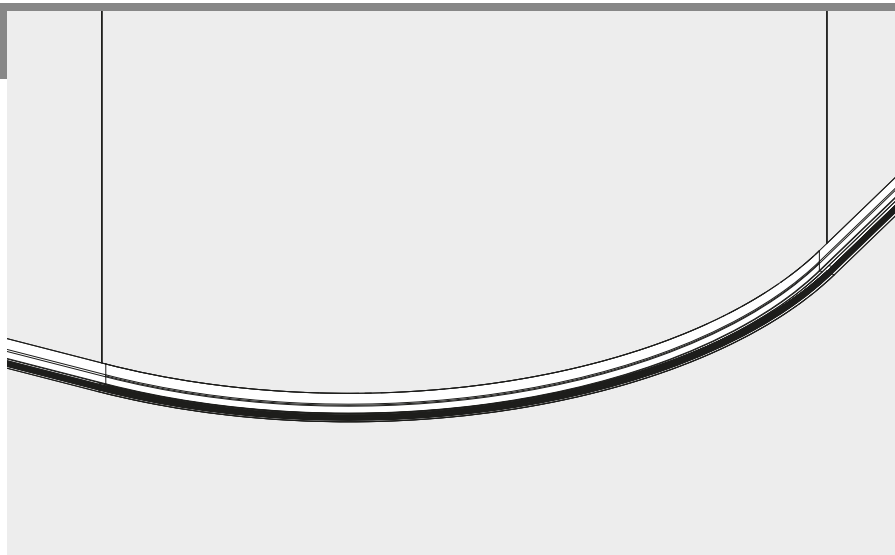
24



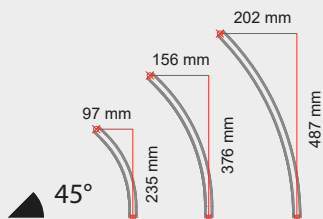
F







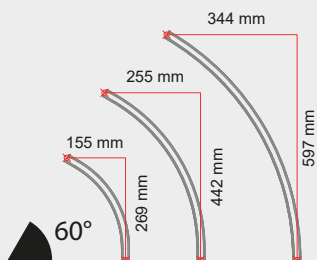
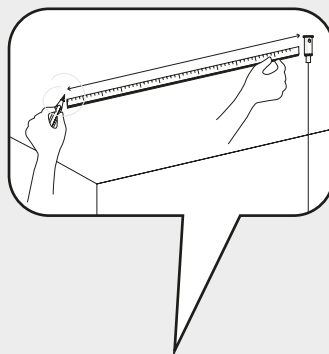
i



45° - R 300mm > TA50022

45° - R 500mm > TA50122

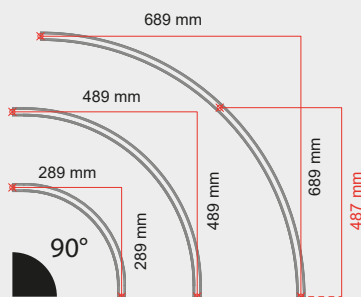
45° - R 700mm > TA50222



60° - R 300mm > TA50322

60° - R 500mm > TA50422

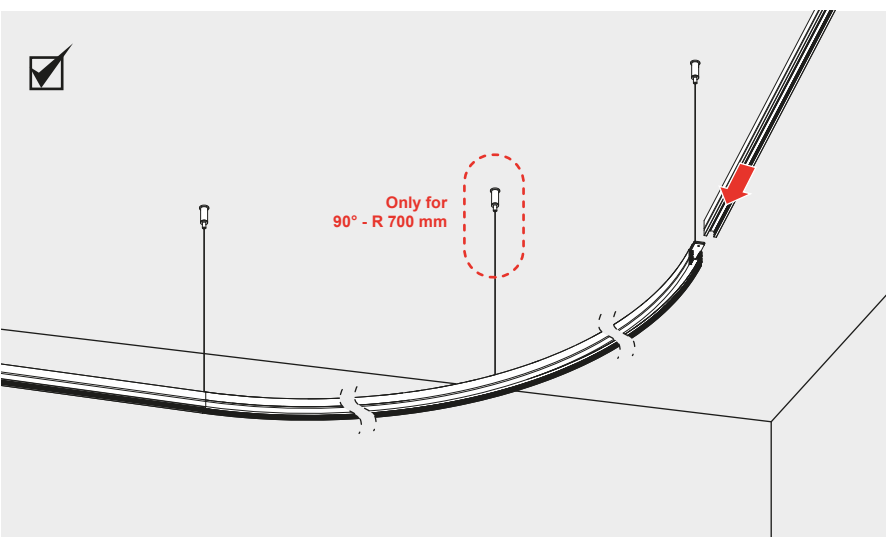
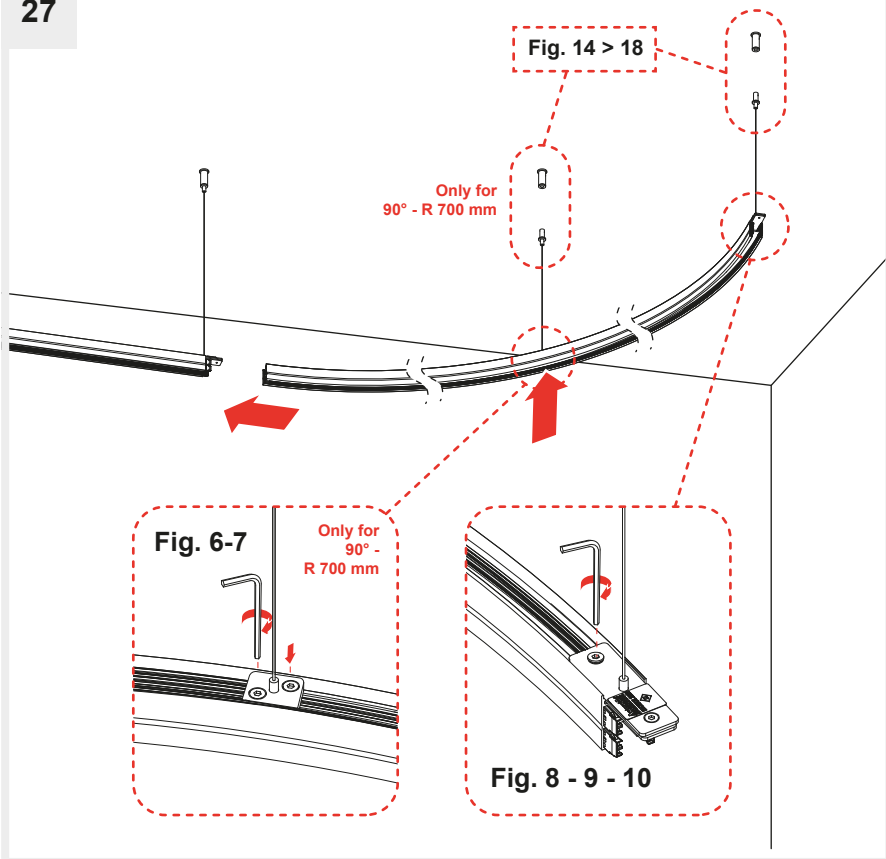
60° - R 700mm > TA50522

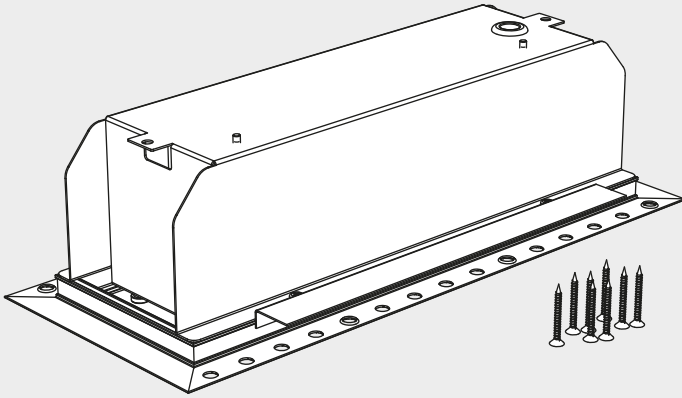


90° - R 300mm > TA50622

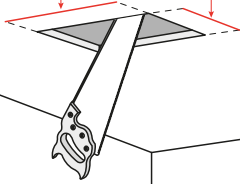
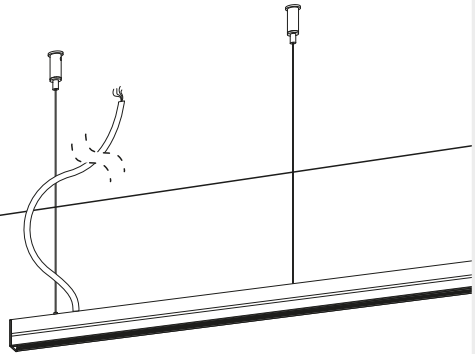
90° - R 500mm > TA50722

90° - R 700mm > TA50822



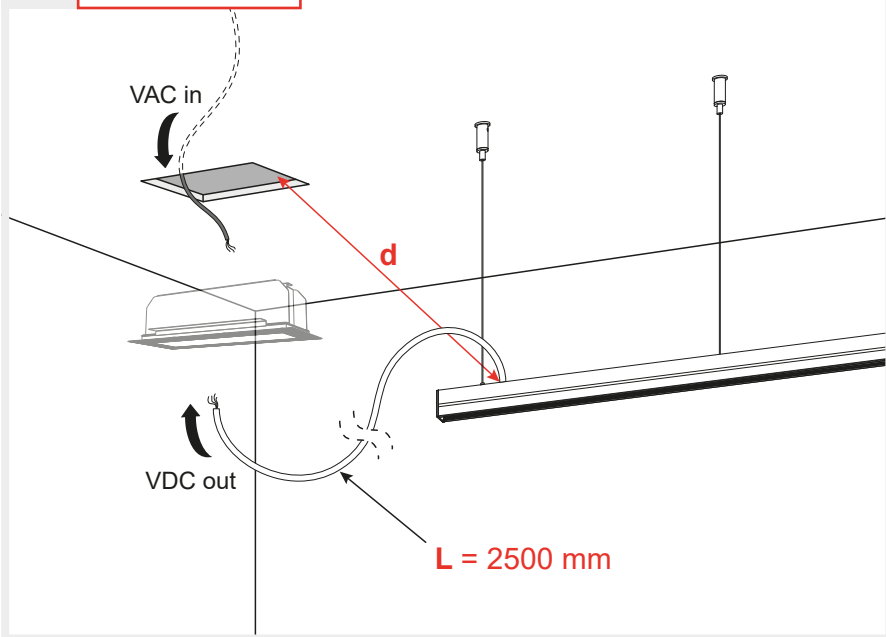


28

 $L + 10 \text{ mm}$ $a + 10 \text{ mm}$  L a 

29

d < 2300 mm



i

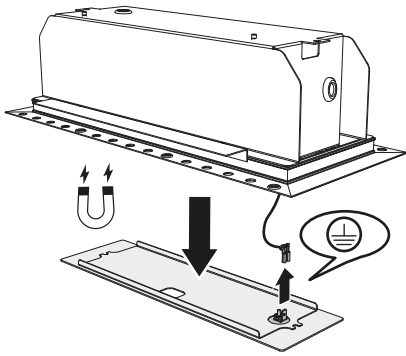
d < 2300 mm

Output Max [W]	Max configuration length powerable with standard power cable L = 2500 mm [m]
125	48
210	27
270	21

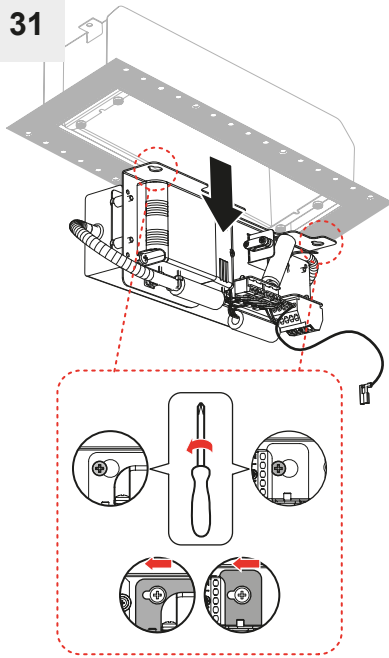
	Standard power cable colours					Cable cross section	
	EN	IT	ES	FR	DE	AWG	[mm ²]
DART-	Purple	Viola	Morado	Pourpre	Lila	20	0.5
DART+	Orange	Arancione	Naranja	Orange	Orange	20	0.5
-	Black	Nero	Negro	Noir	Schwarz	16	1.5
+	Red	Rosso	Rojo	Rouge	Rot	16	1.5



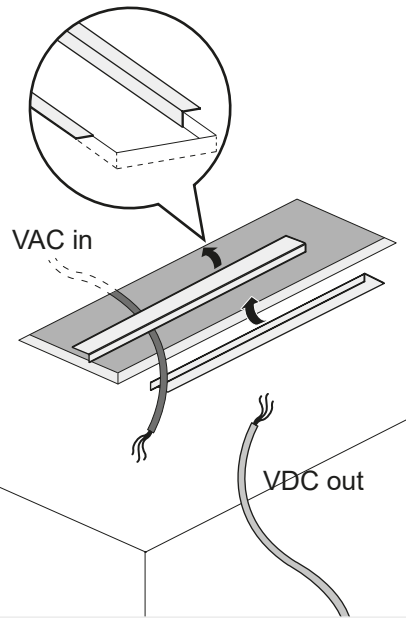
30



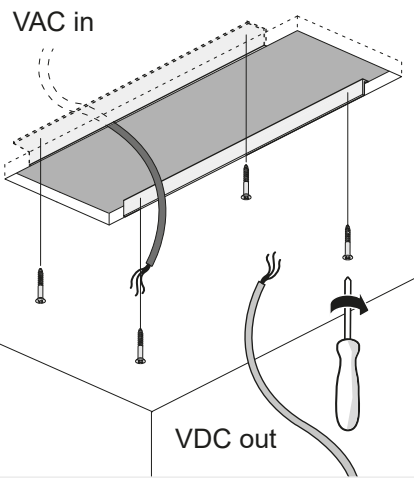
31



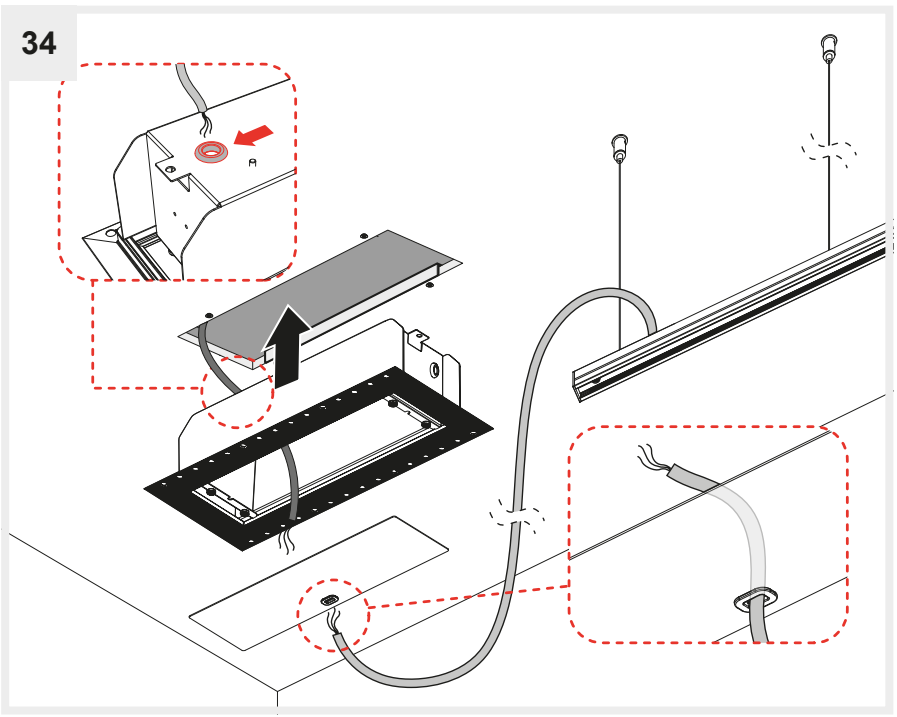
32



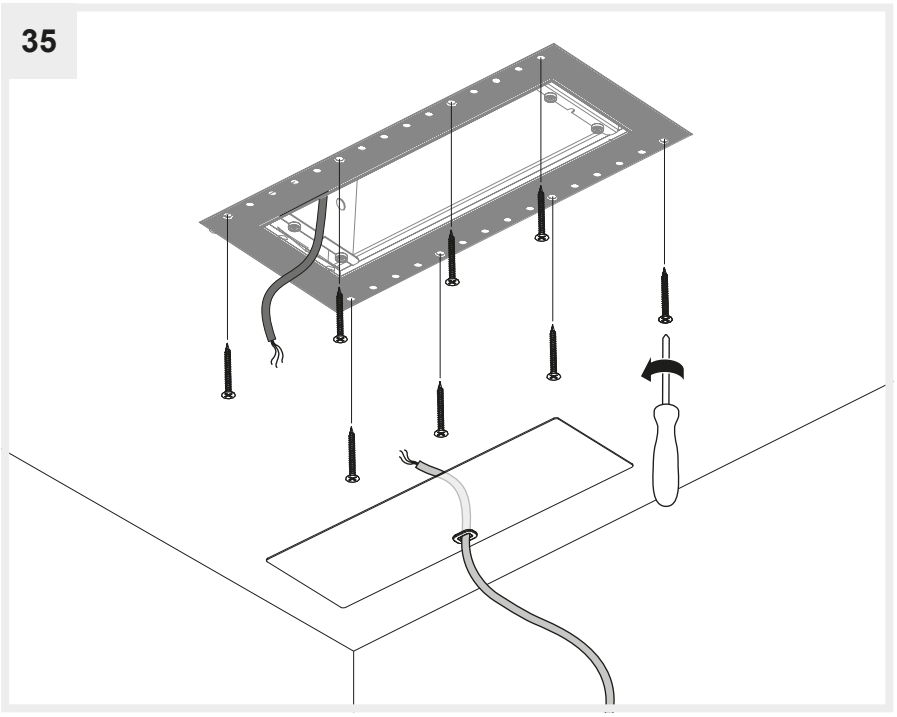
33



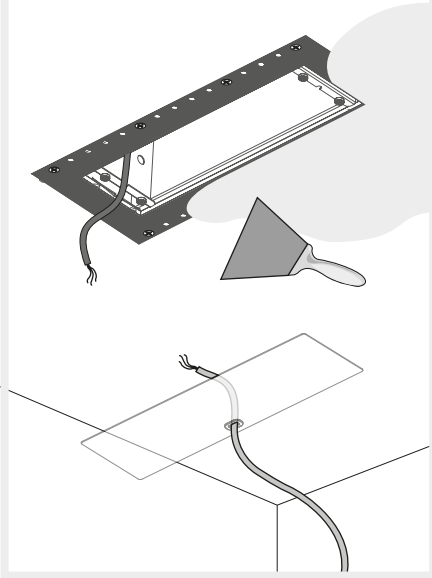
34



35



36



37

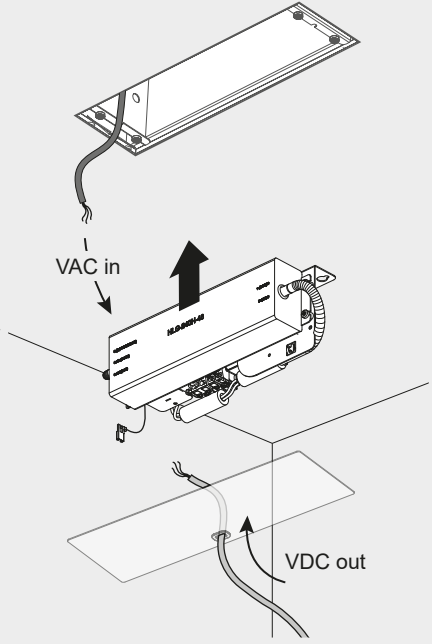








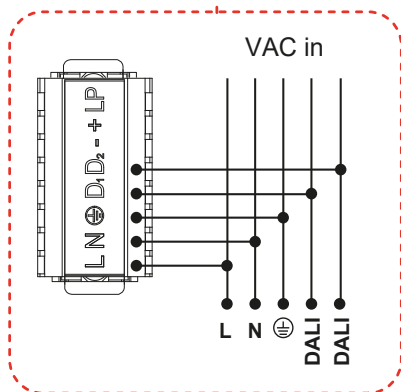
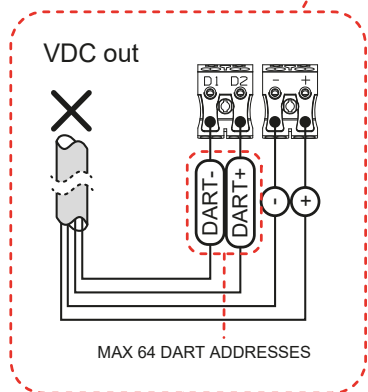
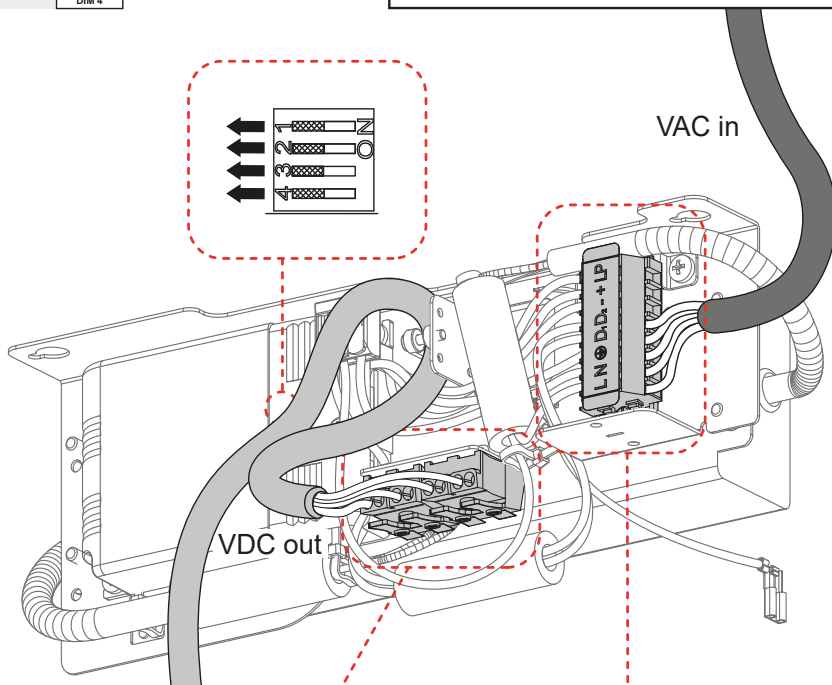


Fig. 38		DALI	Only for TA62201, TA62401, TA67101
Fig. 39		0-10V	
Fig. 40		Potentiometer	
Fig. 41		1-10V	
Fig. 42		Push	
Fig. 43		LV Push	
Fig. 44		On/Off	Only for TA62101, TA62301, TA67001
Fig. 45		APP	Only for TA62201APP, TA62401APP, TA67101APP



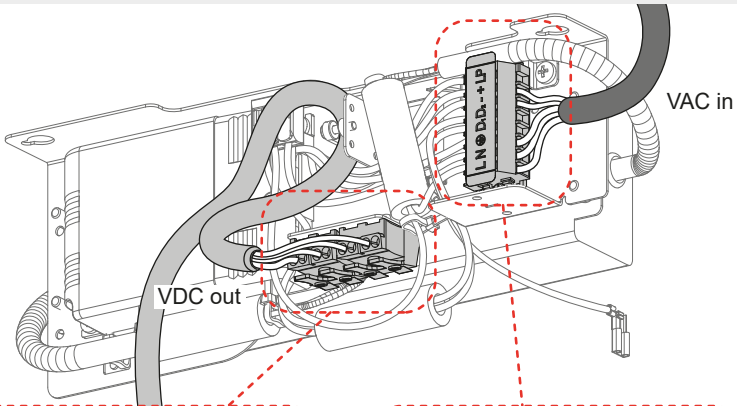
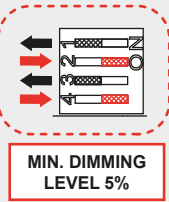
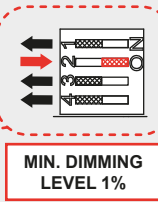
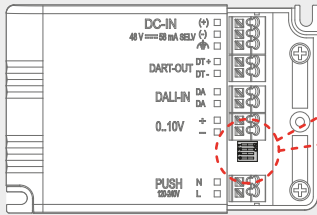
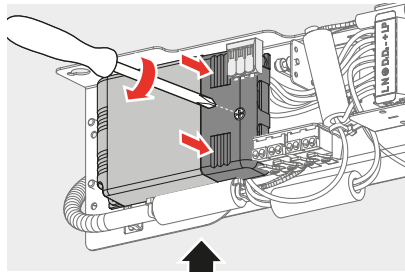
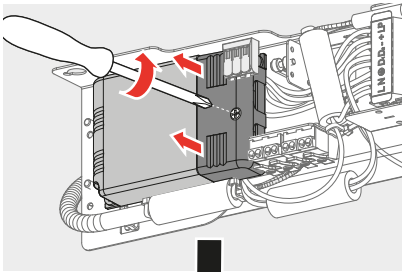
Only for TA62201, TA62401, TA67101



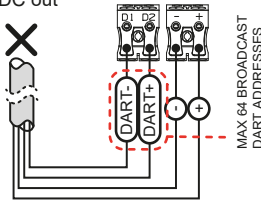
	EN	IT	ES	FR	DE
DART-	Purple	Viola	Morado	Pourpre	Lila
DART+	Orange	Arancione	Naranja	Orange	Orange
-	Black	Nero	Negro	Noir	Schwarz
+	Red	Rosso	Rojo	Rouge	Rot



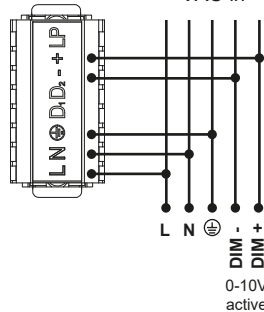
DART = DALI SELV



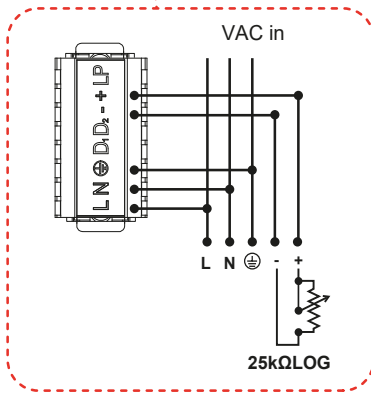
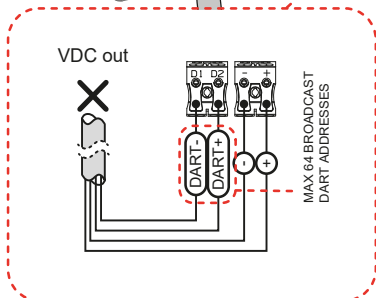
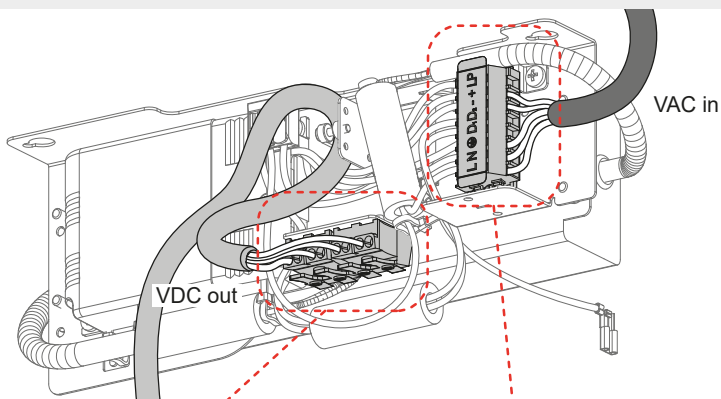
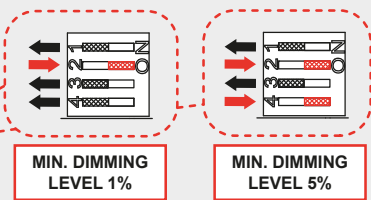
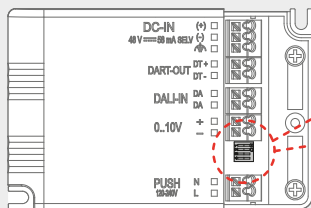
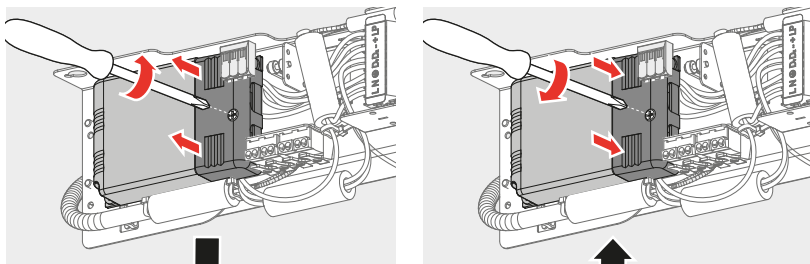
VDC out



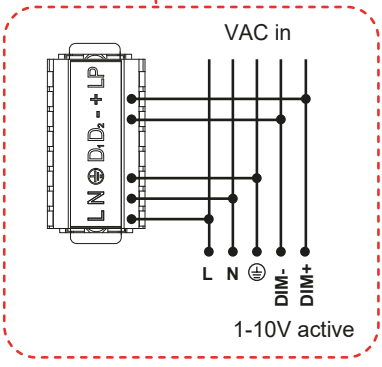
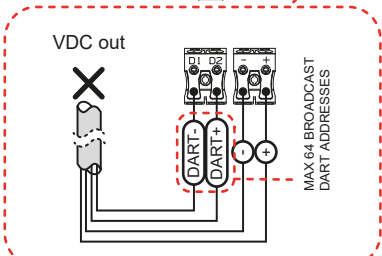
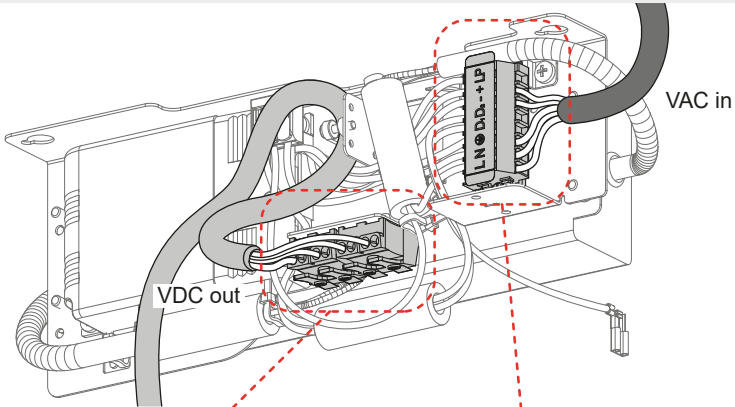
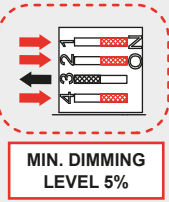
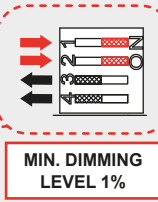
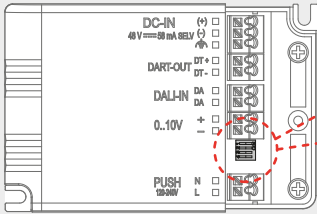
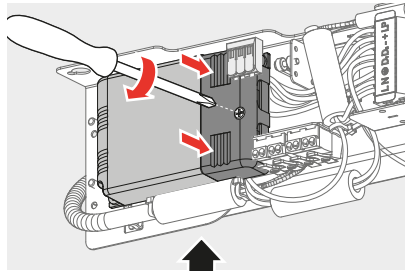
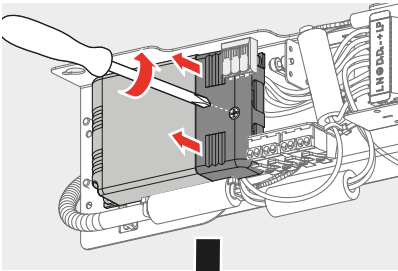
VAC in



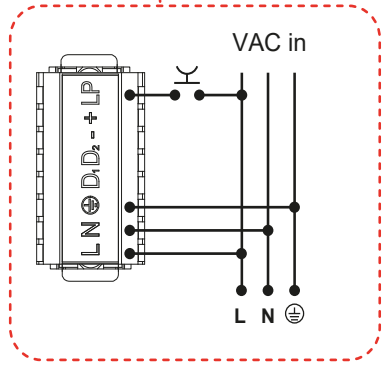
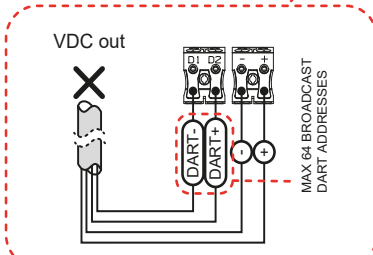
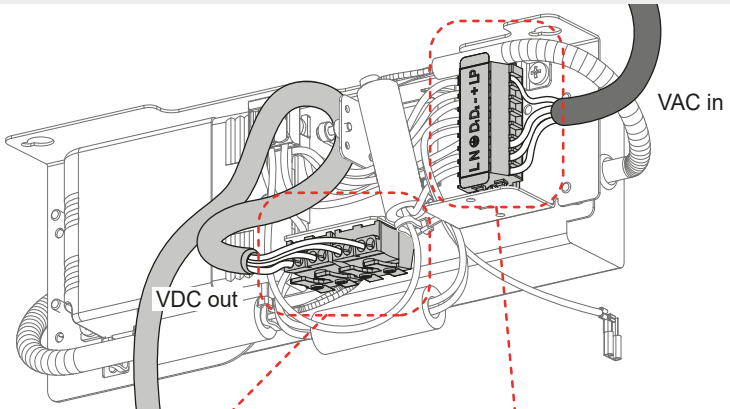
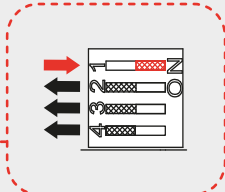
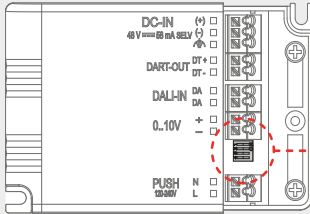
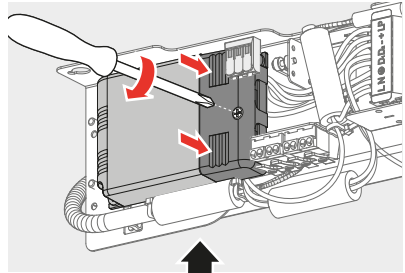
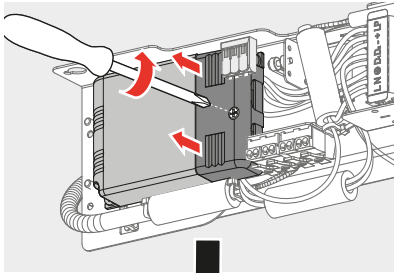
	EN	IT	ES	FR	DE
DART-	Purple	Viola	Morado	Pourpre	Lila
DART+	Orange	Arancione	Naranja	Orange	Orange
-	Black	Nero	Negro	Noir	Schwarz
+	Red	Rosso	Rojo	Rouge	Rot



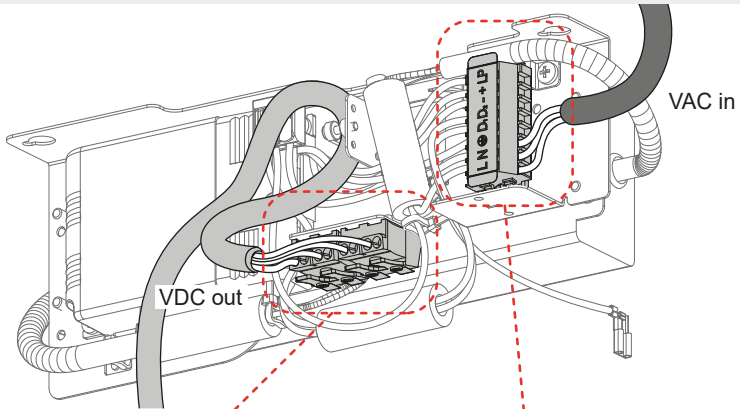
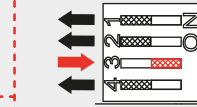
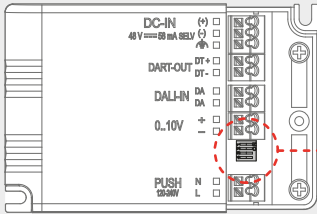
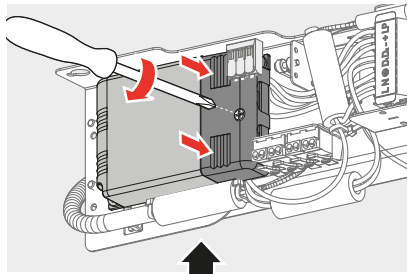
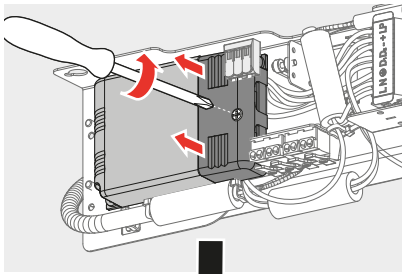
	EN	IT	ES	FR	DE
DART-	Purple	Viola	Morado	Pourpre	Lila
DART+	Orange	Arancione	Naranja	Orange	Orange
-	Black	Nero	Negro	Noir	Schwarz
+	Red	Rosso	Rojo	Rouge	Rot



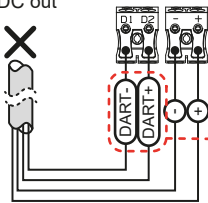
	EN	IT	ES	FR	DE
DART-	Purple	Viola	Morado	Pourpre	Lila
DART+	Orange	Arancione	Naranja	Orange	Orange
-	Black	Nero	Negro	Noir	Schwarz
+	Red	Rosso	Rojo	Rouge	Rot



	EN	IT	ES	FR	DE
DART-	Purple	Viola	Morado	Pourpre	Lila
DART+	Orange	Arancione	Naranja	Orange	Orange
-	Black	Nero	Negro	Noir	Schwarz
+	Red	Rosso	Rojo	Rouge	Rot

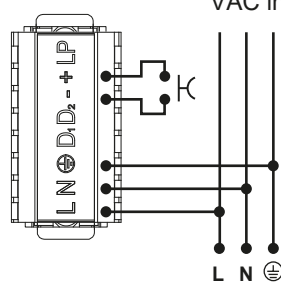


VDC out



MAX 64 BROADCAST DART ADDRESSES

VAC in

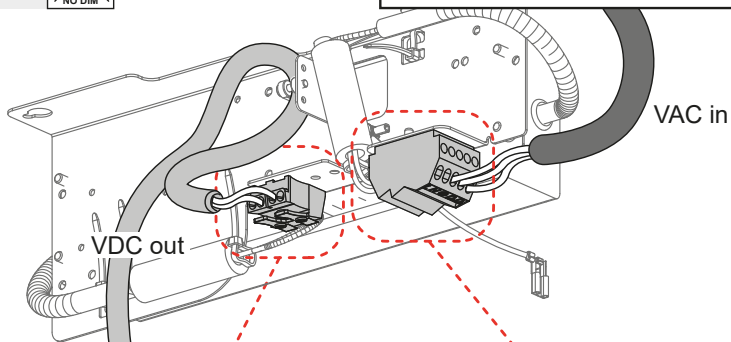


	EN	IT	ES	FR	DE
DART-	Purple	Viola	Morado	Pourpre	Lila
DART+	Orange	Arancione	Naranja	Orange	Orange
-	Black	Nero	Negro	Noir	Schwarz
+	Red	Rosso	Rojo	Rouge	Rot

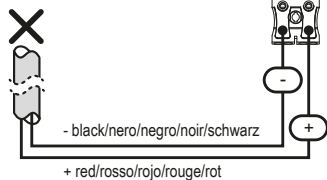
44



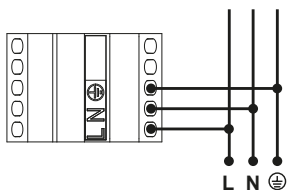
Only for TA62101, TA62301, TA67001



VDC out



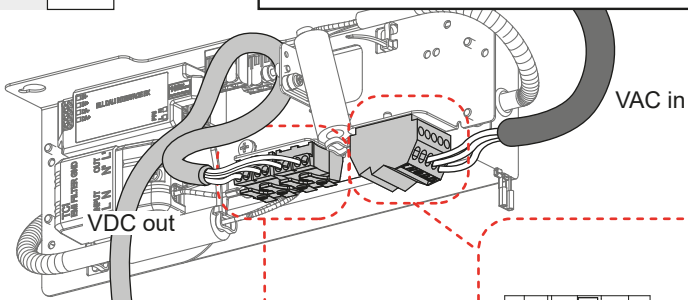
VAC in



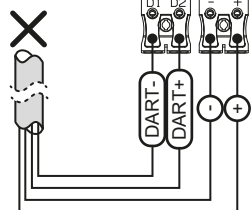
45



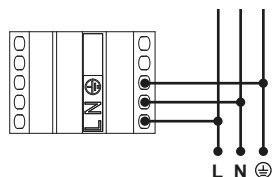
Only for TA62201APP, TA62401APP, TA67101APP



VDC out

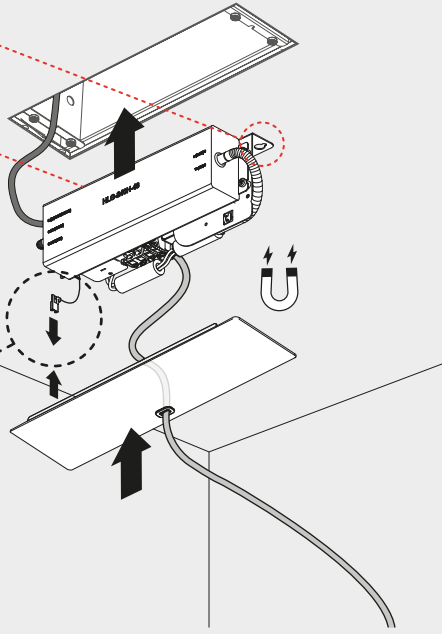
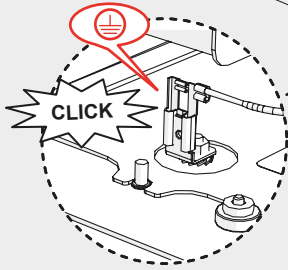
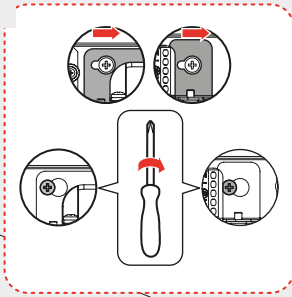


VAC in

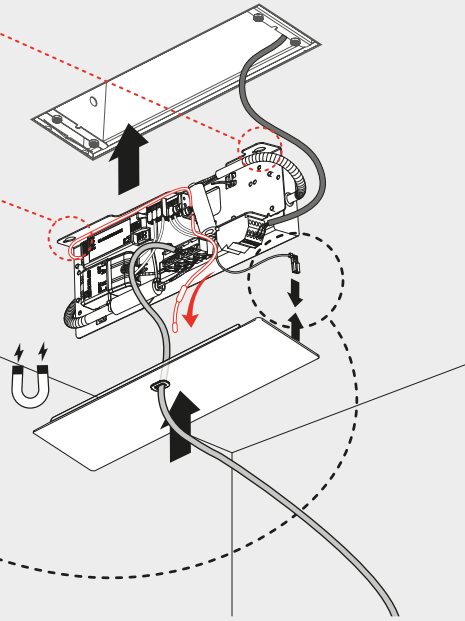
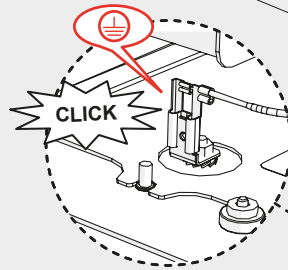
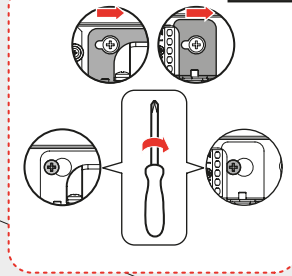


	EN	IT	ES	FR	DE
DART-	Purple	Viola	Morado	Pourpre	Lila
DART+	Orange	Arancione	Naranja	Orange	Orange
-	Black	Nero	Negro	Noir	Schwarz
+	Red	Rosso	Rojo	Rouge	Rot

46

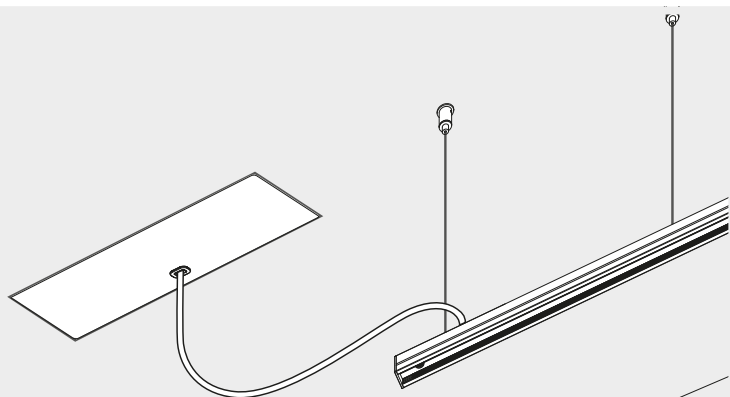
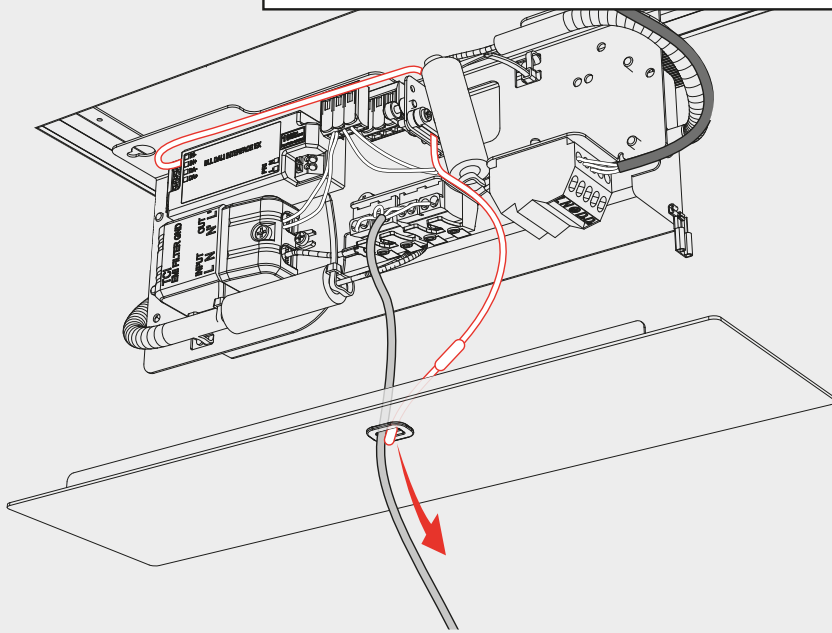


Only for TA62201APP, TA62401APP, TA67101APP

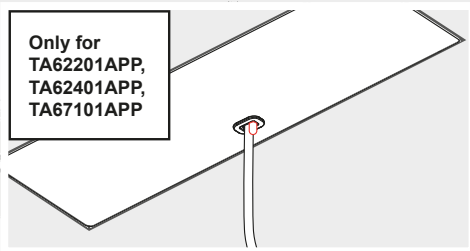


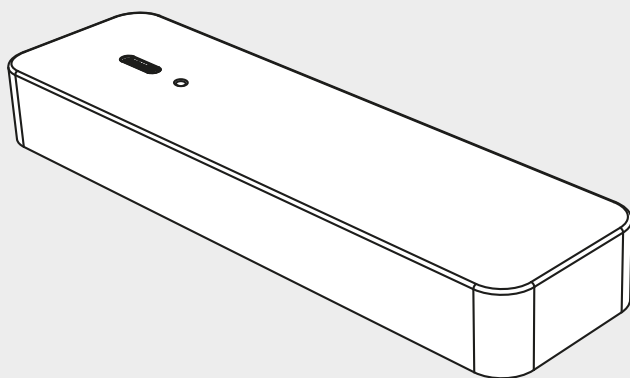


Only for TA62201APP, TA62401APP, TA67101APP

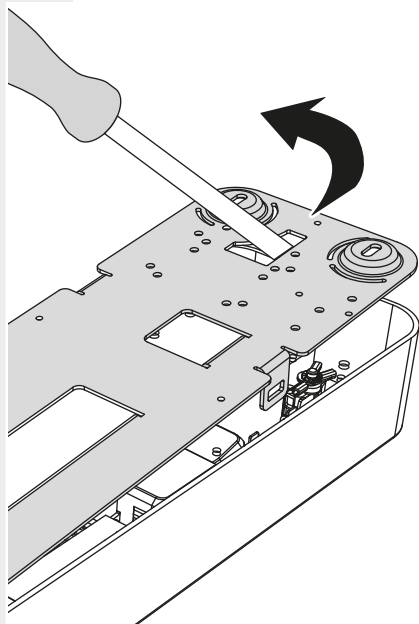


Only for
TA62201APP,
TA62401APP,
TA67101APP

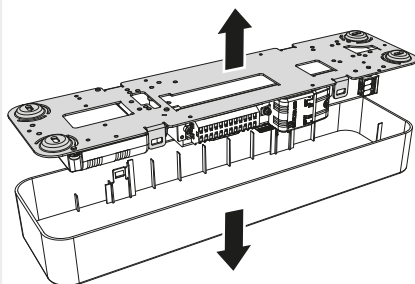




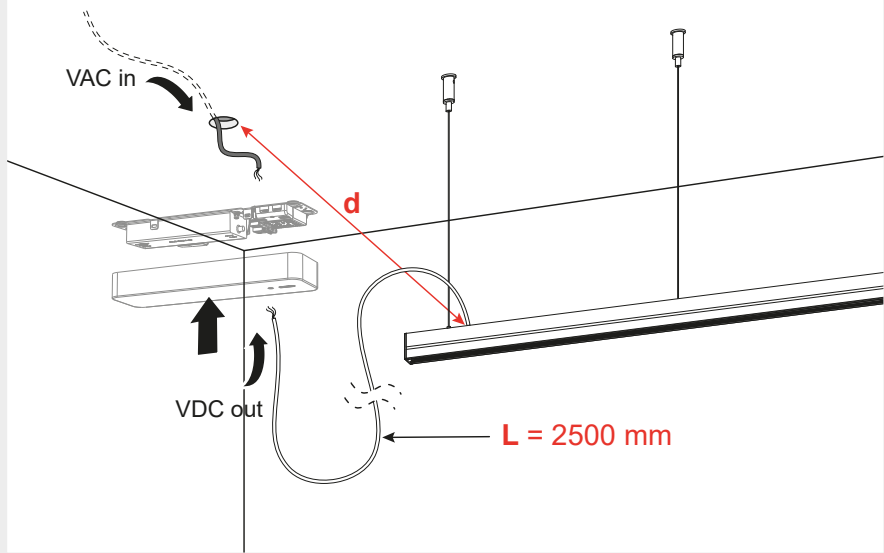
47



48



49

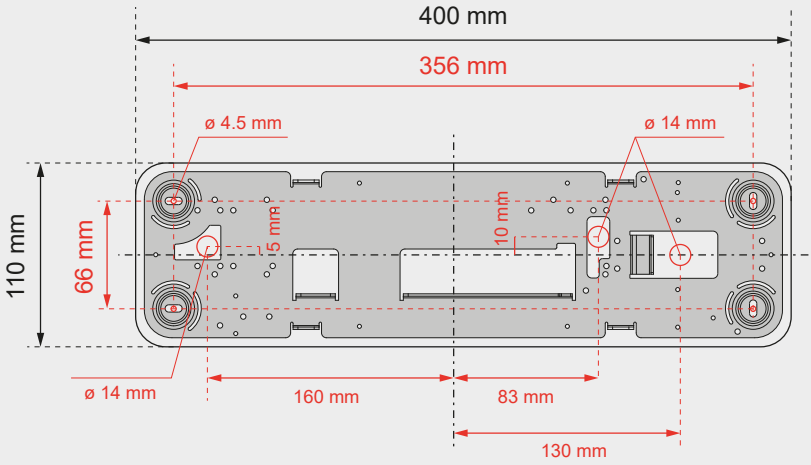
 $d < 2300 \text{ mm}$ **i** $d < 2300 \text{ mm}$

Output Max [W]	Max configuration length powerable with standard power cable L = 2500 mm [m]
125	48
210	27
270	21

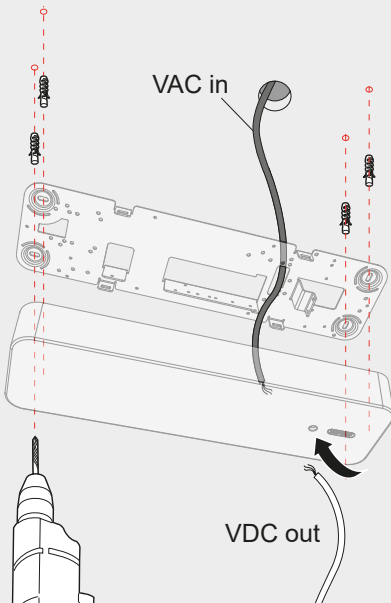
	Standard power cable colours					Cable cross section	
	EN	IT	ES	FR	DE	AWG	[mm ²]
DART-	Purple	Viola	Morado	Pourpre	Lila	20	0.5
DART+	Orange	Arancione	Naranja	Orange	Orange	20	0.5
-	Black	Nero	Negro	Noir	Schwarz	16	1.5
+	Red	Rosso	Rojo	Rouge	Rot	16	1.5



i



50



51

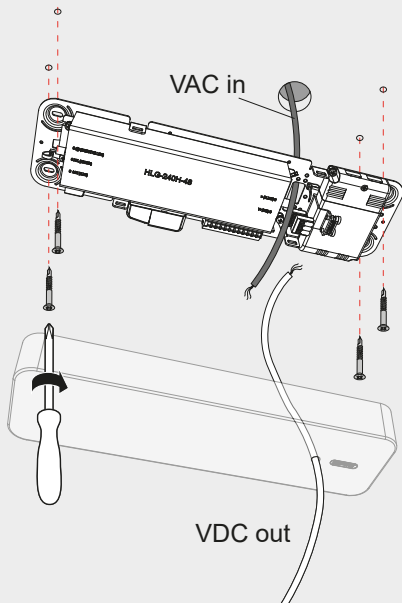








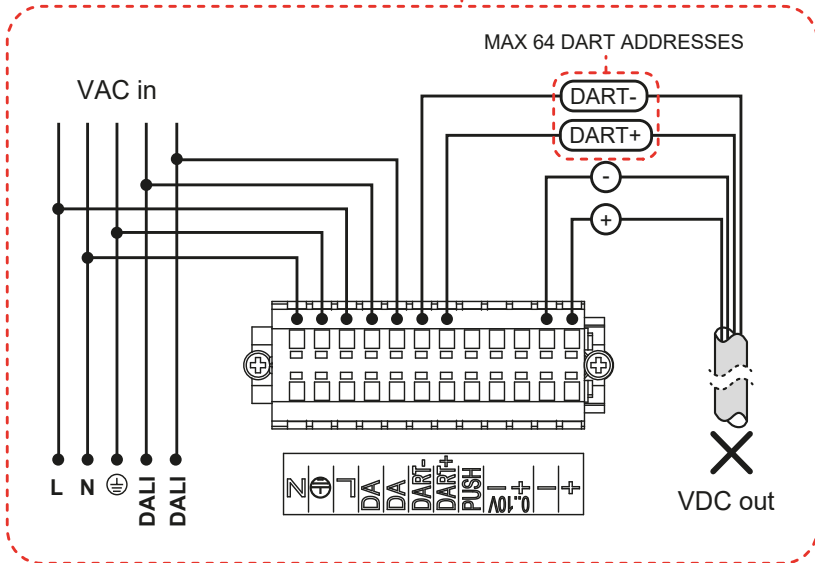
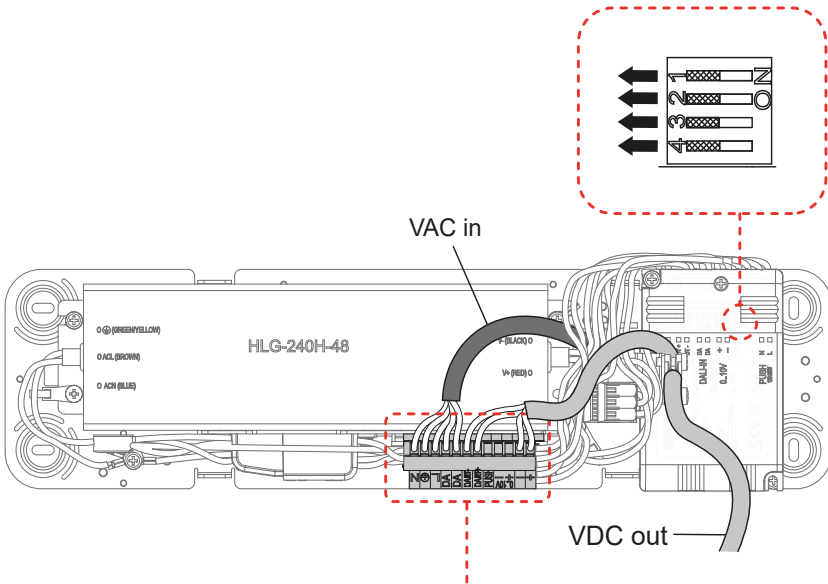


Fig. 52		DALI	<p>Only for TA61001, TA61222, TA61401, TA61622</p>
Fig. 53		0-10V	
Fig. 54		Potentiometer	
Fig. 55		1-10V	
Fig. 56		Push	
Fig. 57		LV Push	
Fig. 58		On/Off	<p>Only for TA60901, TA61122, TA61301, TA61522</p>
Fig. 59		APP	<p>Only for TA61001APP, TA61222APP, TA61401APP, TA61622APP</p>

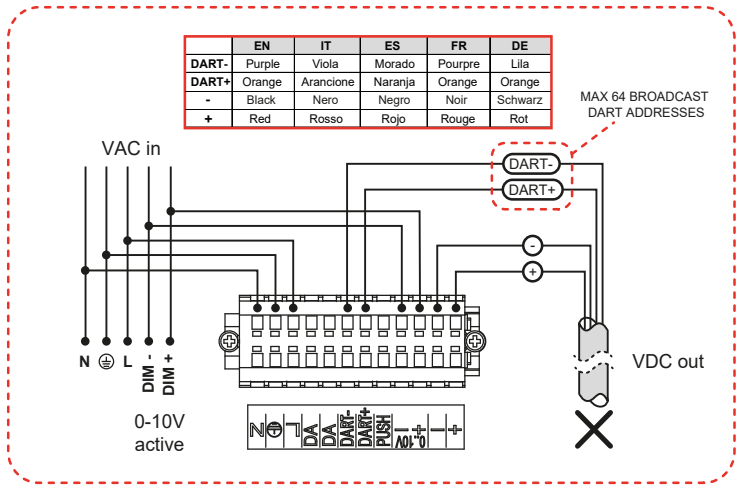
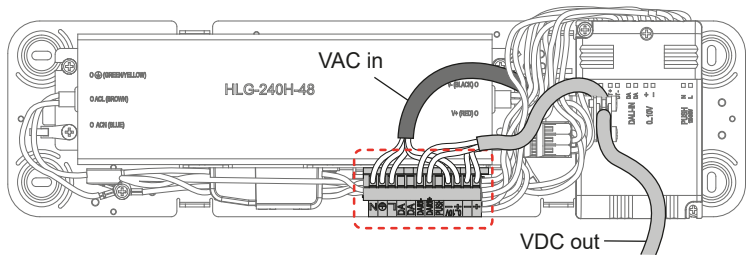
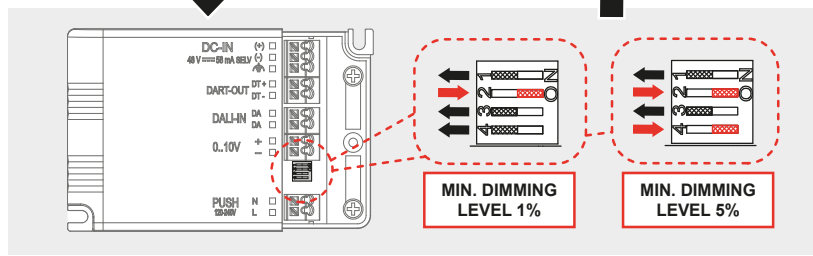
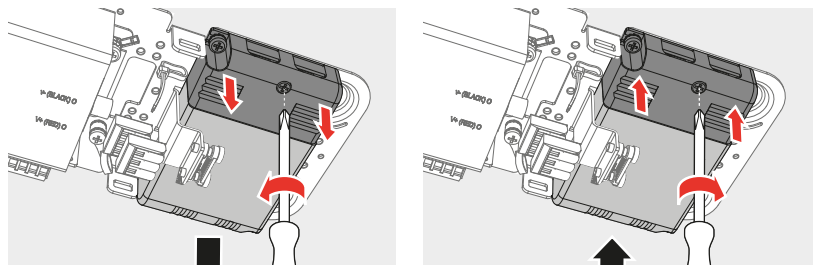


Only for TA61001, TA61222, TA61401, TA61622



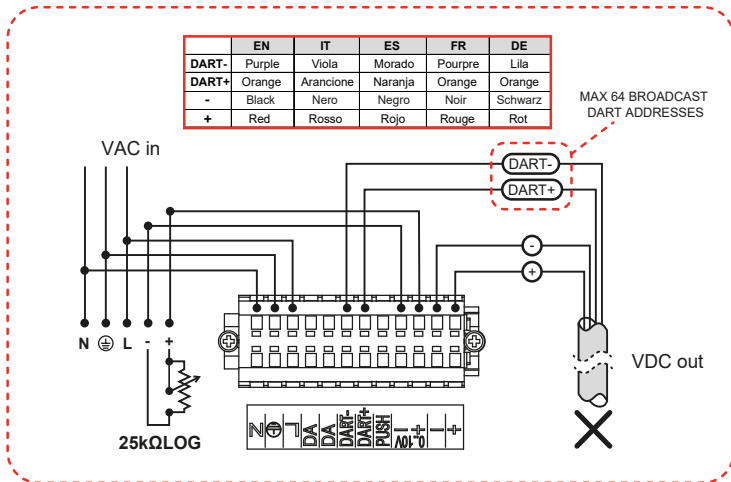
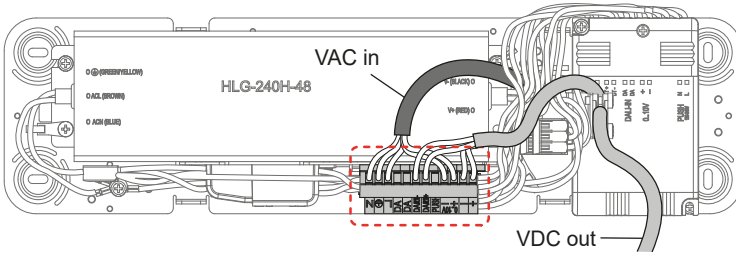
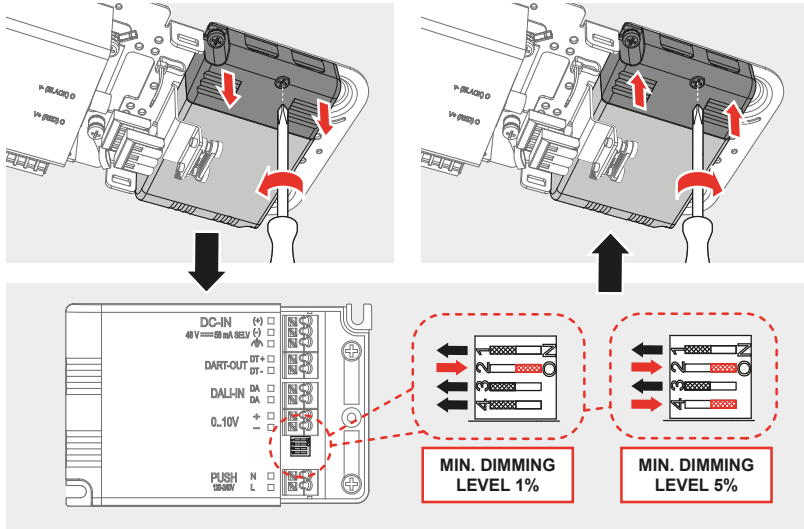
DART = DALI SELV

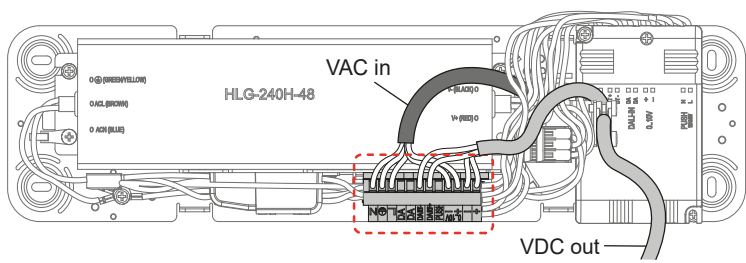
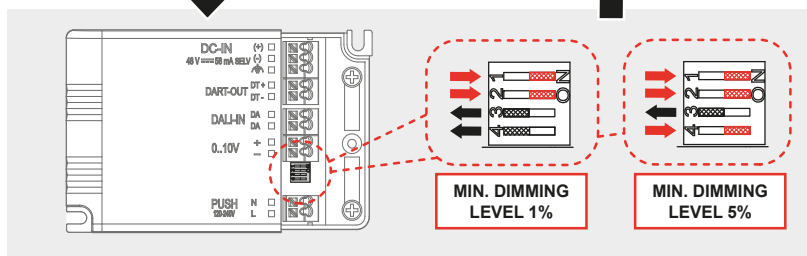
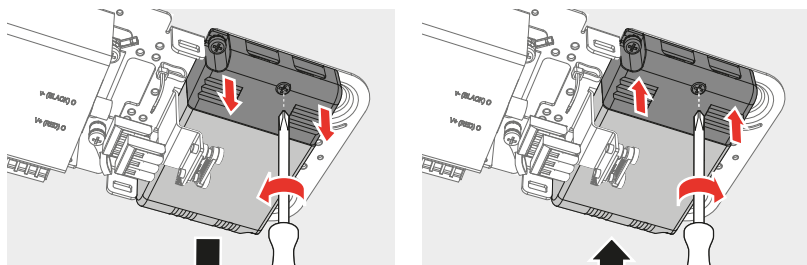
	EN	IT	ES	FR	DE
DART-	Purple	Viola	Morado	Pourpre	Lila
DART+	Orange	Arancione	Naranja	Orange	Orange
-	Black	Nero	Negro	Noir	Schwarz
+	Red	Rosso	Rojo	Rouge	Rot





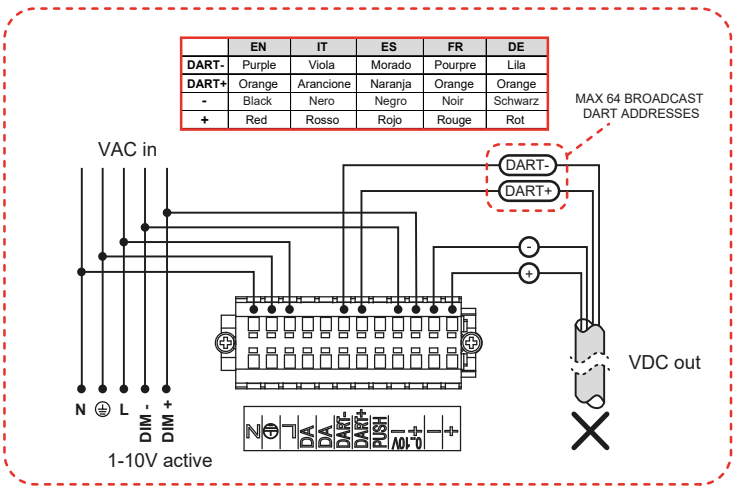
Only for TA61001, TA61222, TA61401, TA61622





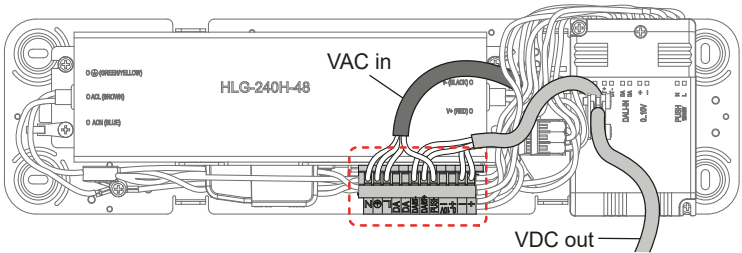
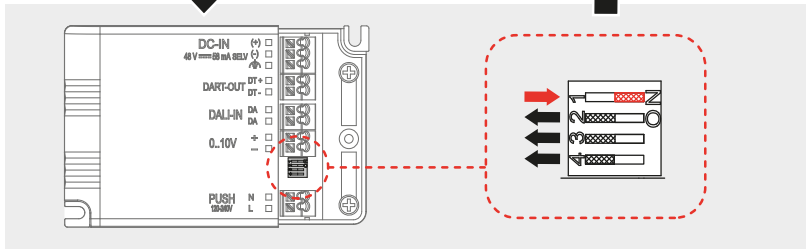
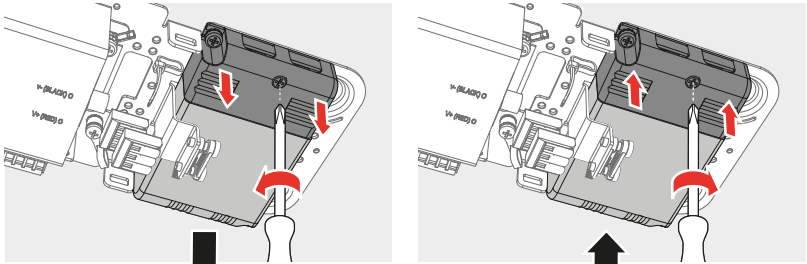
	EN	IT	ES	FR	DE
DART-	Purple	Viola	Morado	Pourpre	Lila
DART+	Orange	Arancione	Naranja	Orange	Orange
-	Black	Nero	Negro	Noir	Schwarz
+	Red	Rosso	Rojo	Rouge	Rot

MAX 64 BROADCAST DART ADDRESSES



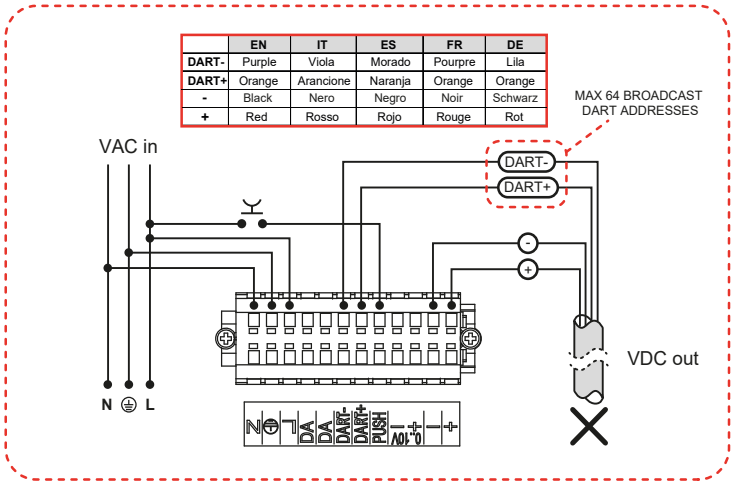


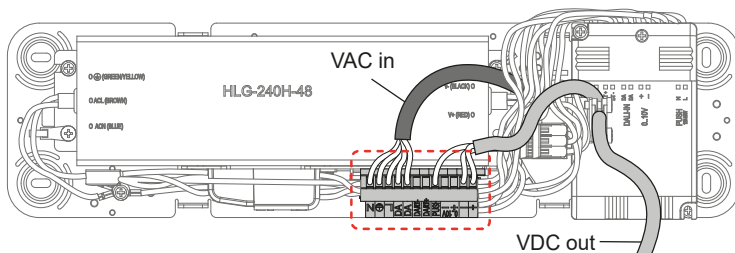
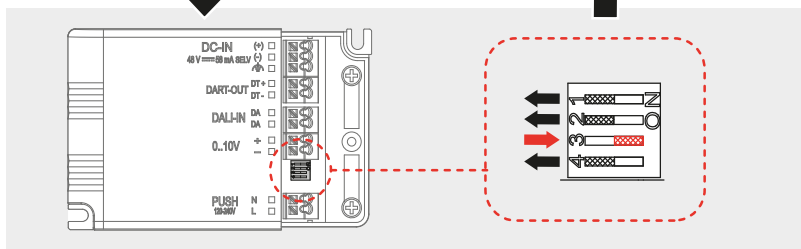
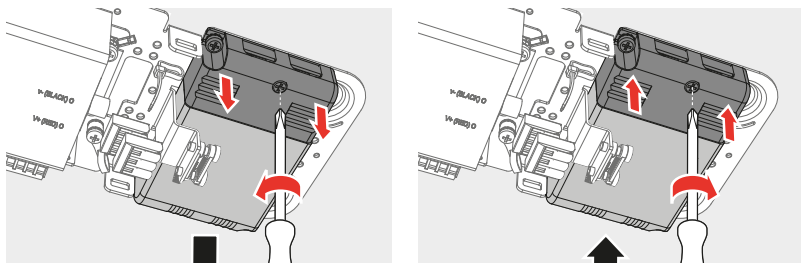
Only for TA61001, TA61222, TA61401, TA61622



	EN	IT	ES	FR	DE
DART-	Purple	Viola	Morado	Pourpre	Lila
DART+	Orange	Arancione	Naranja	Orange	Orange
-	Black	Nero	Negro	Noir	Schwarz
+	Red	Rosso	Rojo	Rouge	Rot

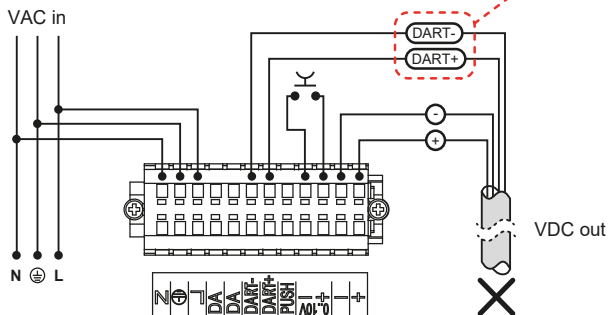
MAX 64 BROADCAST DART ADDRESSES





	EN	IT	ES	FR	DE
DART-	Purple	Viola	Morado	Pourpre	Lila
DART+	Orange	Arancione	Naranja	Orange	Orange
-	Black	Nero	Negro	Noir	Schwarz
+	Red	Rosso	Rojo	Rouge	Rot

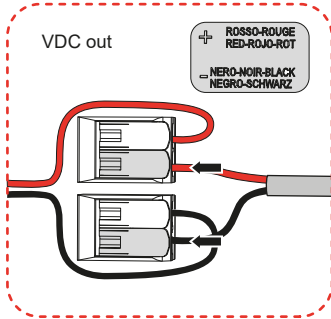
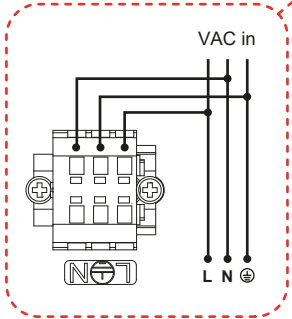
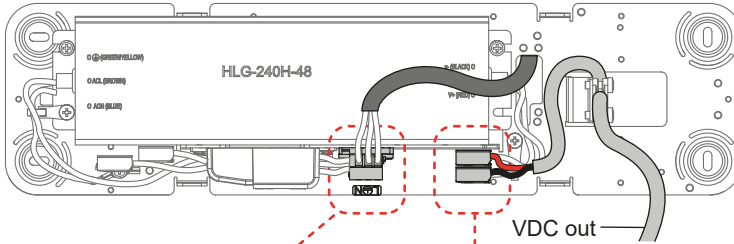
MAX 64 BROADCAST DART ADDRESSES



58



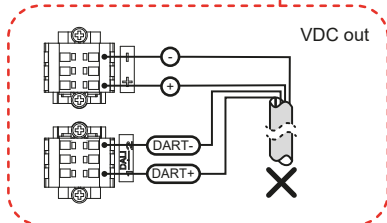
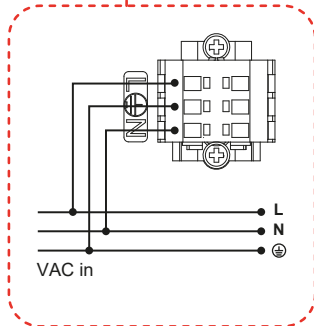
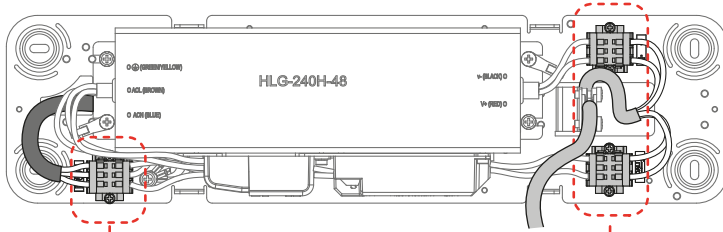
Only for TA60901, TA61122, TA61301, TA61522



59

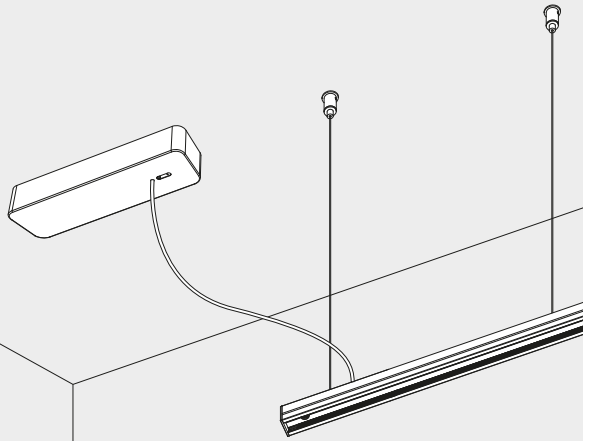
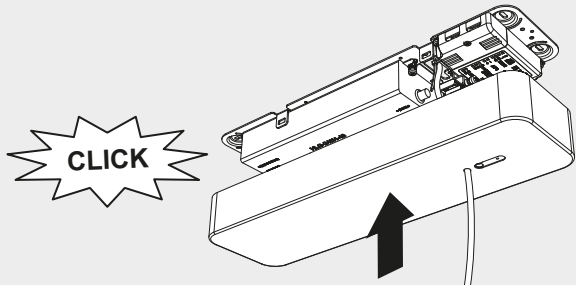


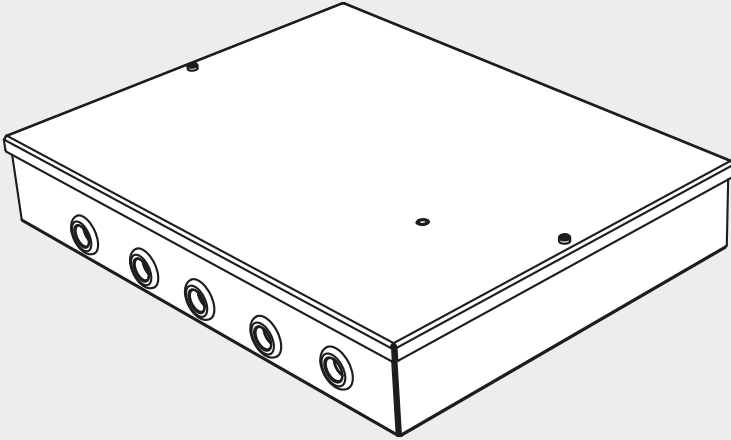
Only for TA61001APP, TA61222APP, TA61401APP, TA61622APP



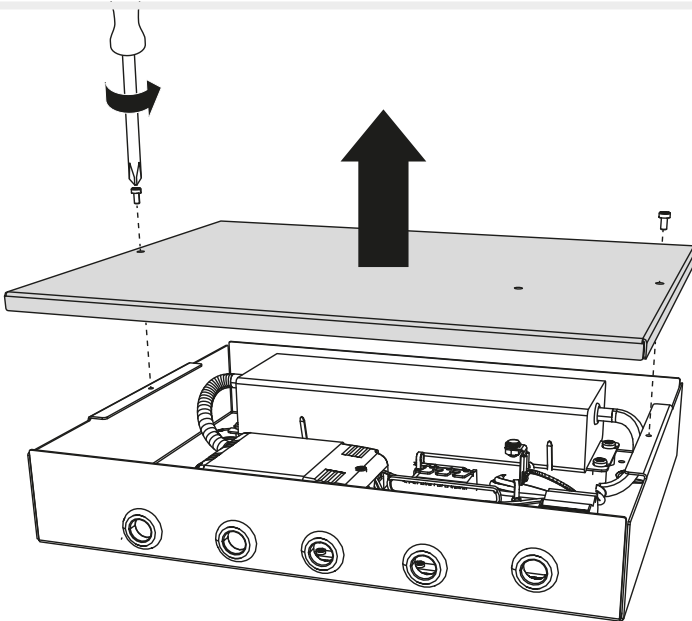
	EN	IT	ES	FR	DE
DART-	Purple	Viola	Morado	Pourpre	Lila
DART+	Orange	Arancione	Naranja	Orange	Orange
-	Black	Nero	Negro	Noir	Schwarz
+	Red	Rosso	Rojo	Rouge	Rot

60



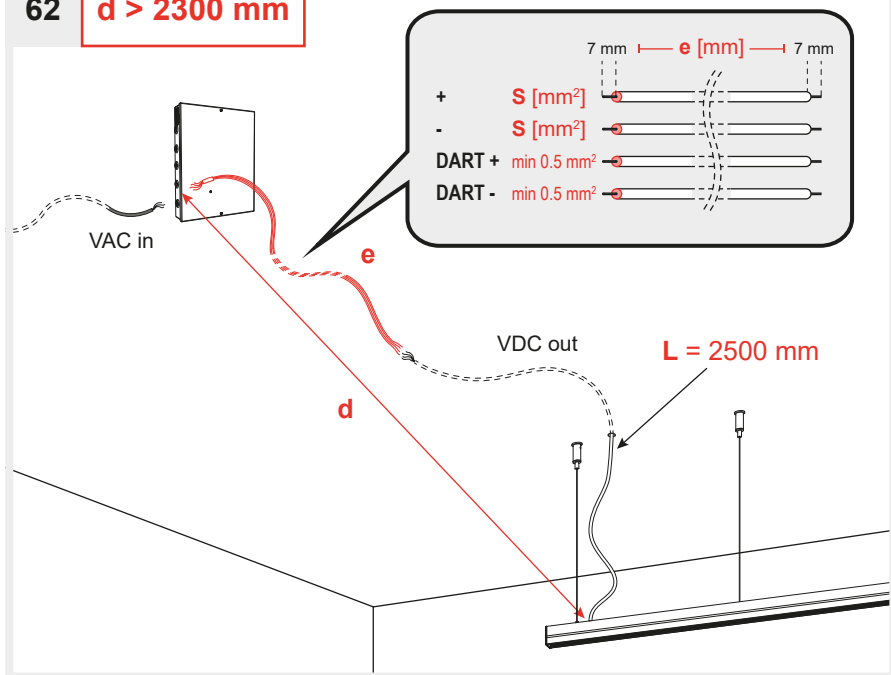


61

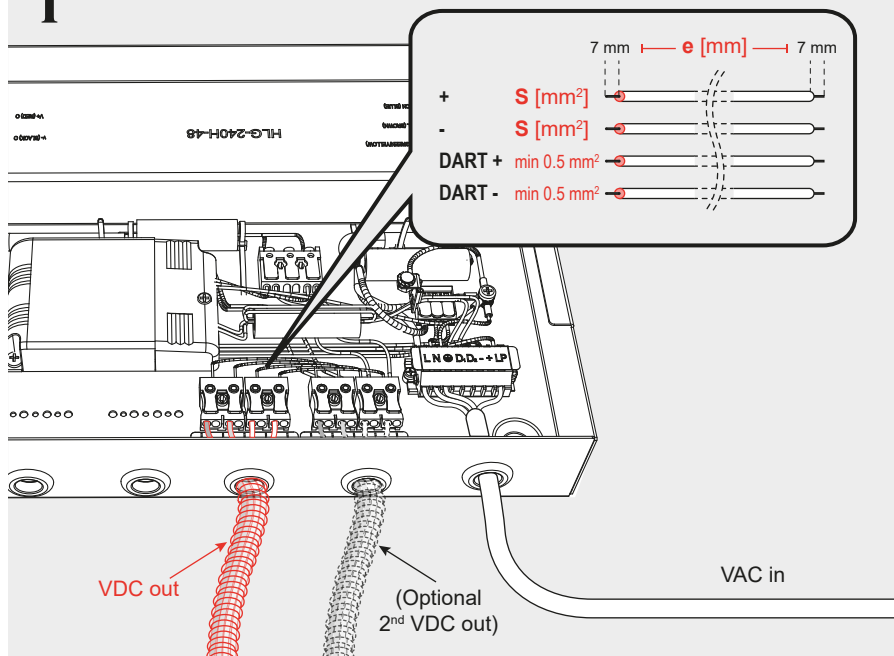


62

d > 2300 mm

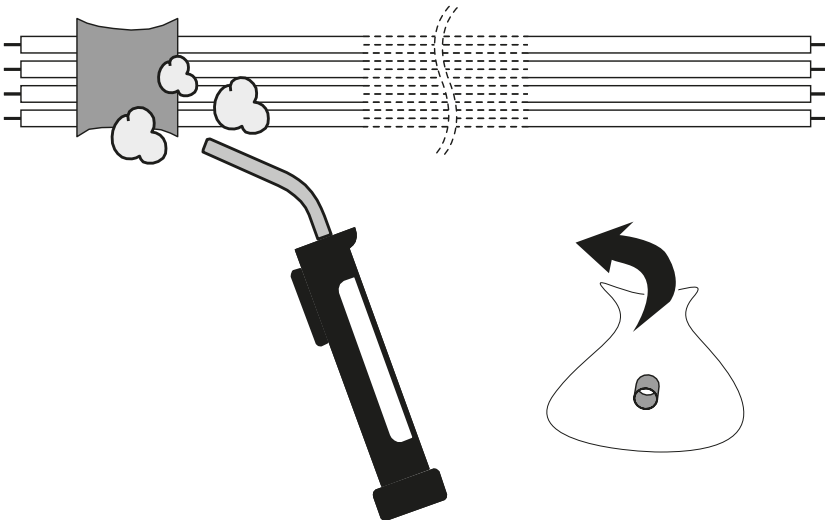


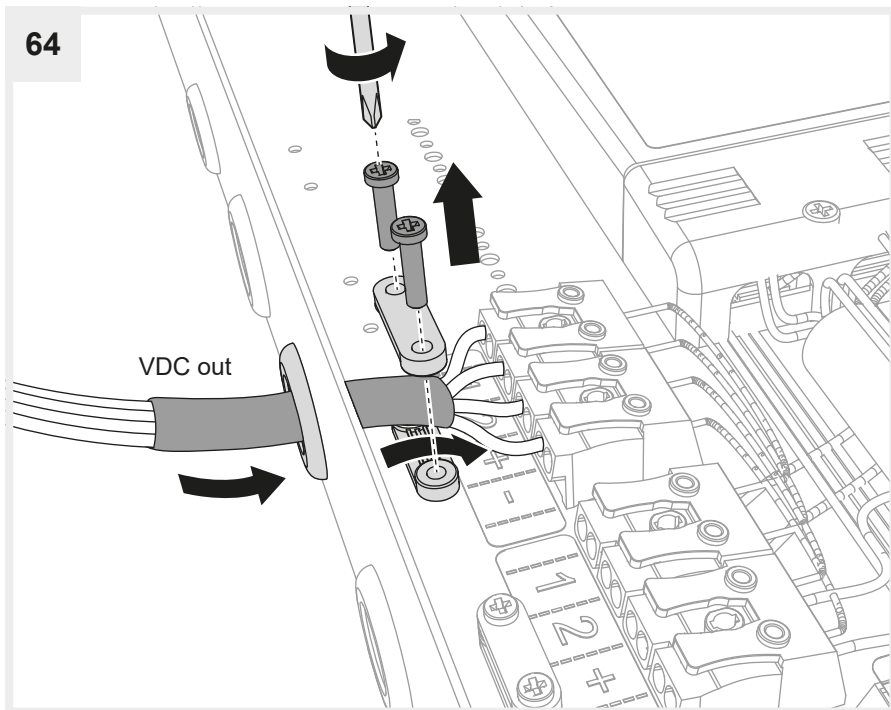
i










i**d > 2300 mm**

Output Max [W]	Extension cord length e [m]	Extension cord cross section S [mm ²]	Max configuration length powerable with a cable length = e + L [m]
125	10	1	29
	15	1.5	29
	25	2.5	29
	40	4	29
210	5	1	18
	10	1.5	15
	16	2.5	15
	25	4	15
270	5	1.5	14
	10	2.5	13
	17	4	12
	25	6	13

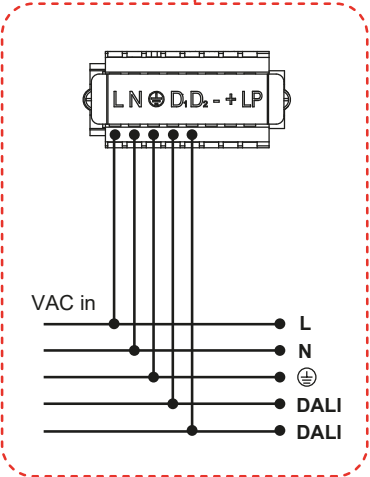
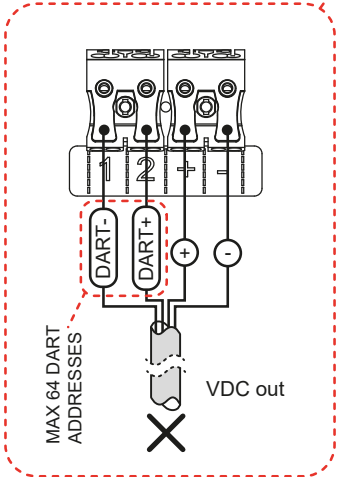
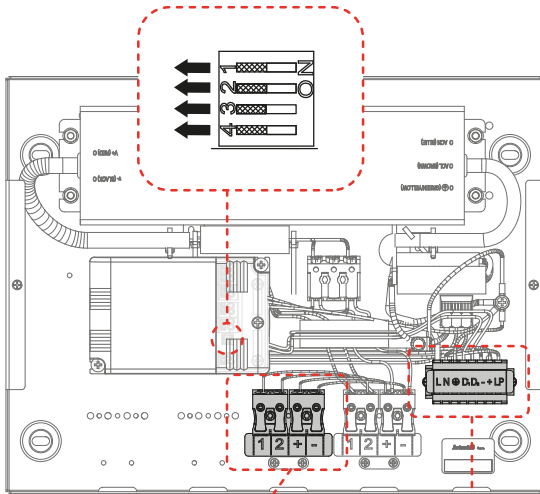
63



<p>Fig. 65</p> 	<p>DALI</p>	<p>Only for TA62500, TA68000</p>
<p>Fig. 66</p> 	<p>0-10V</p>	
<p>Fig. 67</p> 	<p>Potentiometer</p>	
<p>Fig. 68</p> 	<p>1-10V</p>	
<p>Fig. 69</p> 	<p>Push</p>	
<p>Fig. 70</p> 	<p>LV Push</p>	
<p>Fig. 71</p> 	<p>APP</p>	

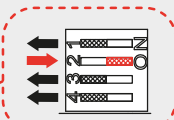
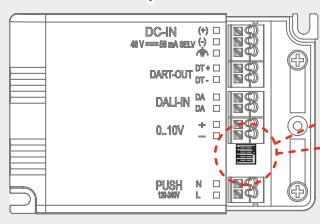
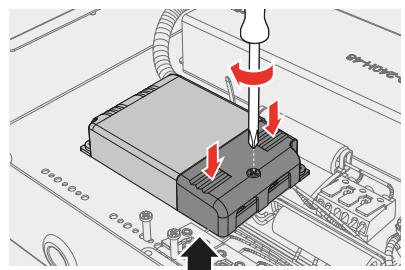
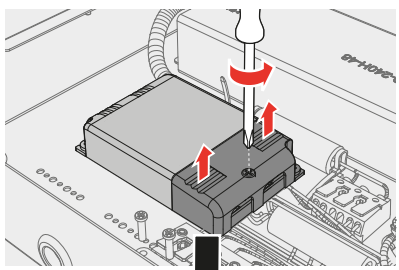


Only for TA62500, TA68000

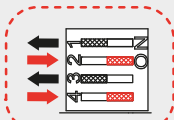


	EN	IT	ES	FR	DE
DART-	Purple	Viola	Morado	Pourpre	Lila
DART+	Orange	Arancione	Naranja	Orange	Orange
-	Black	Nero	Negro	Noir	Schwarz
+	Red	Rosso	Rojó	Rouge	Rot

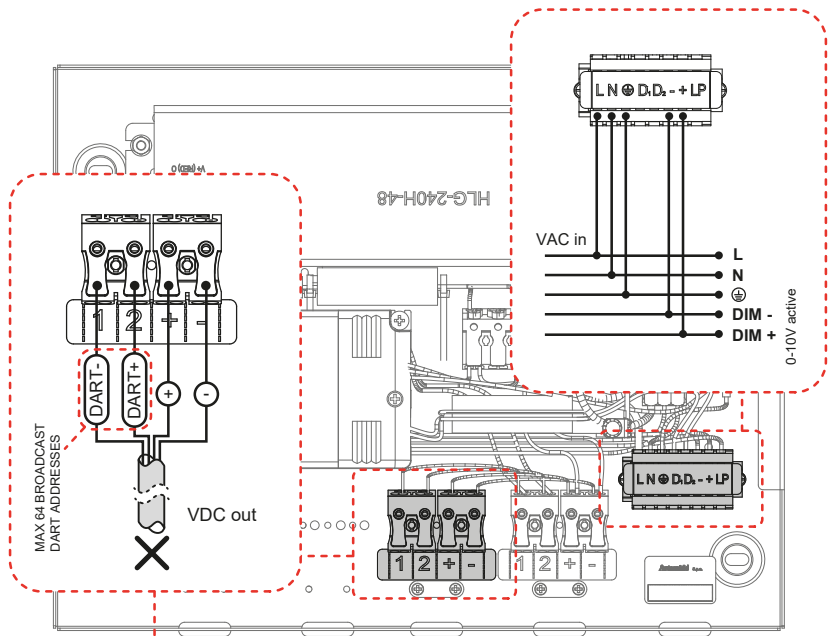
DART = DALI SELV



MIN. DIMMING LEVEL 1%



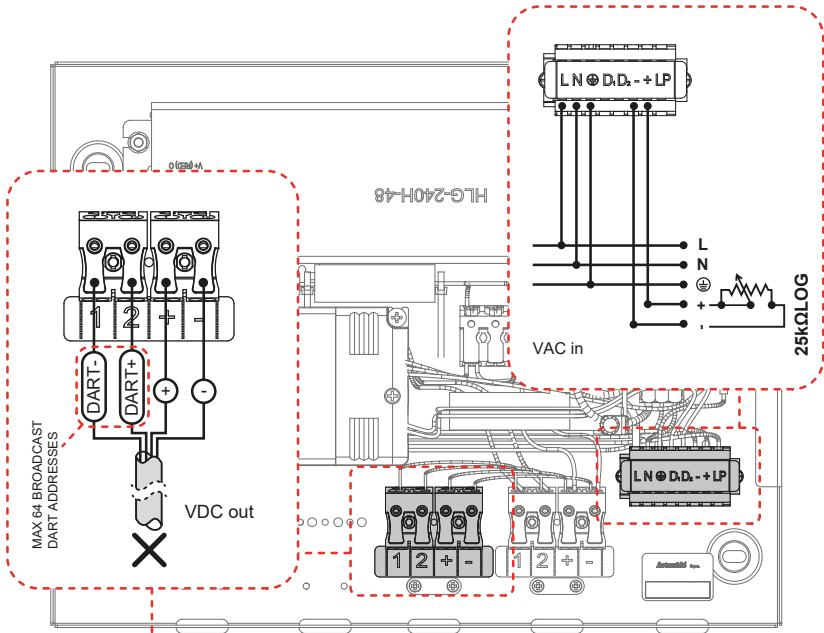
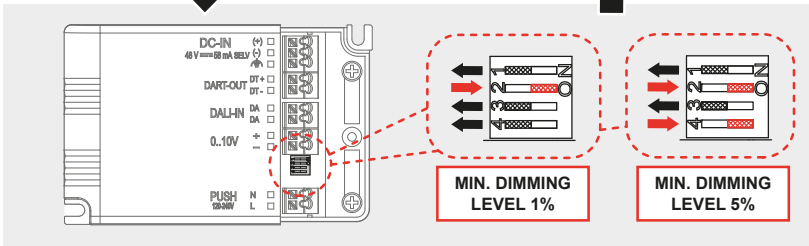
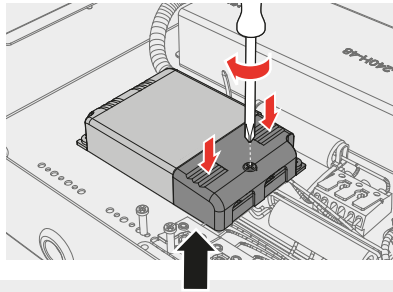
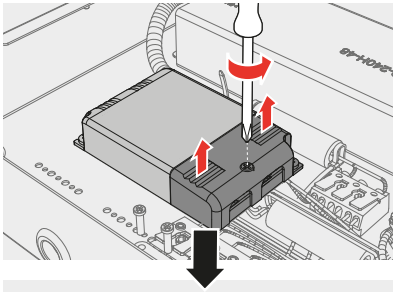
MIN. DIMMING LEVEL 5%



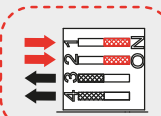
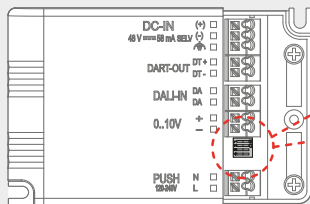
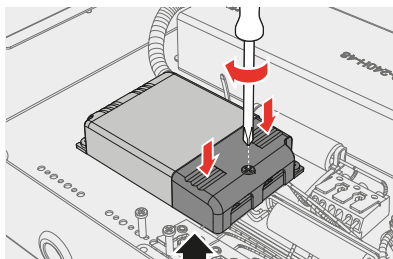
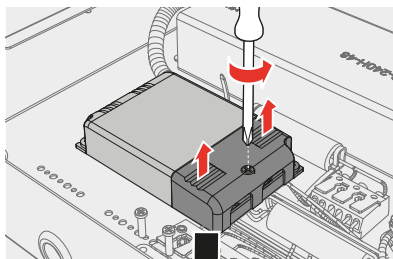
	EN	IT	ES	FR	DE
DART-	Purple	Viola	Morado	Pourpre	Lila
DART+	Orange	Arancione	Naranja	Orange	Orange
-	Black	Nero	Negro	Noir	Schwarz
+	Red	Rosso	Rojo	Rouge	Rot



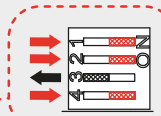
Only for TA62500, TA68000



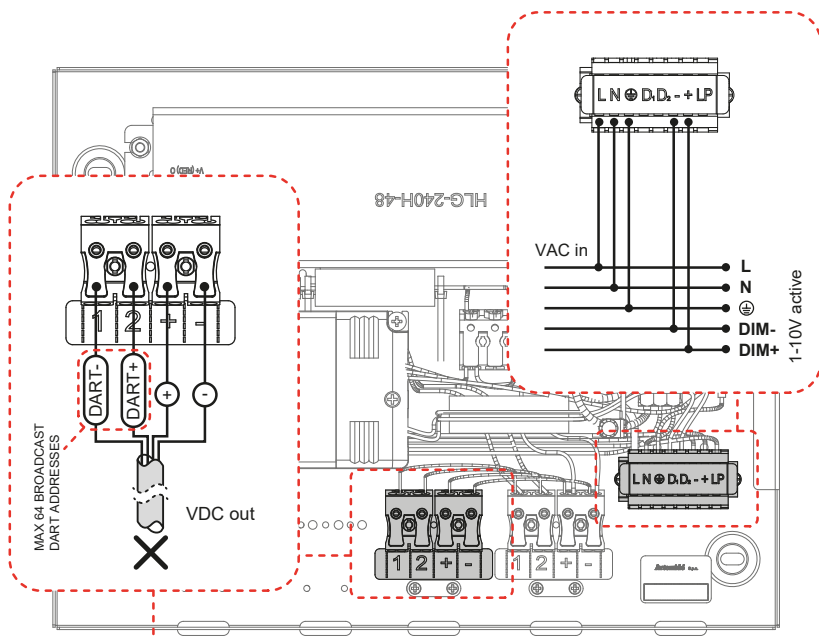
	EN	IT	ES	FR	DE
DART-	Purple	Viola	Morado	Pourpre	Lila
DART+	Orange	Arancione	Naranja	Orange	Orange
-	Black	Nero	Negro	Noir	Schwarz
+	Red	Rosso	Rojo	Rouge	Rot



MIN. DIMMING LEVEL 1%



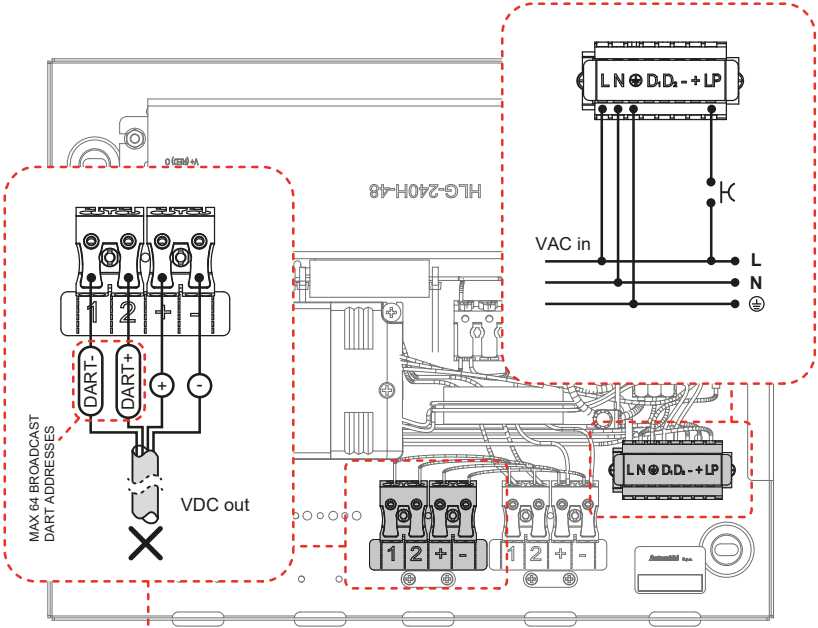
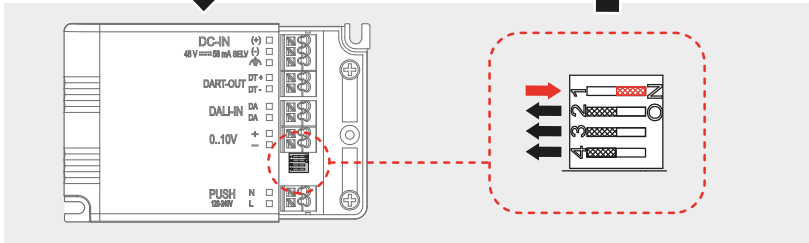
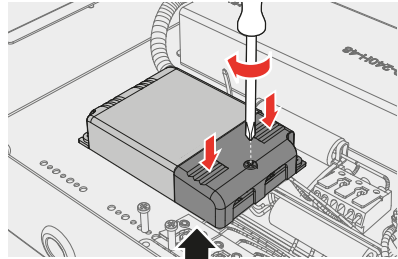
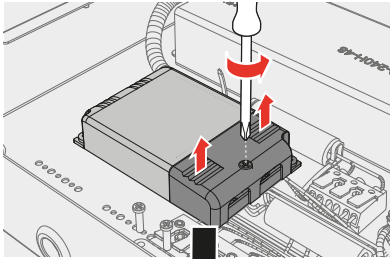
MIN. DIMMING LEVEL 5%



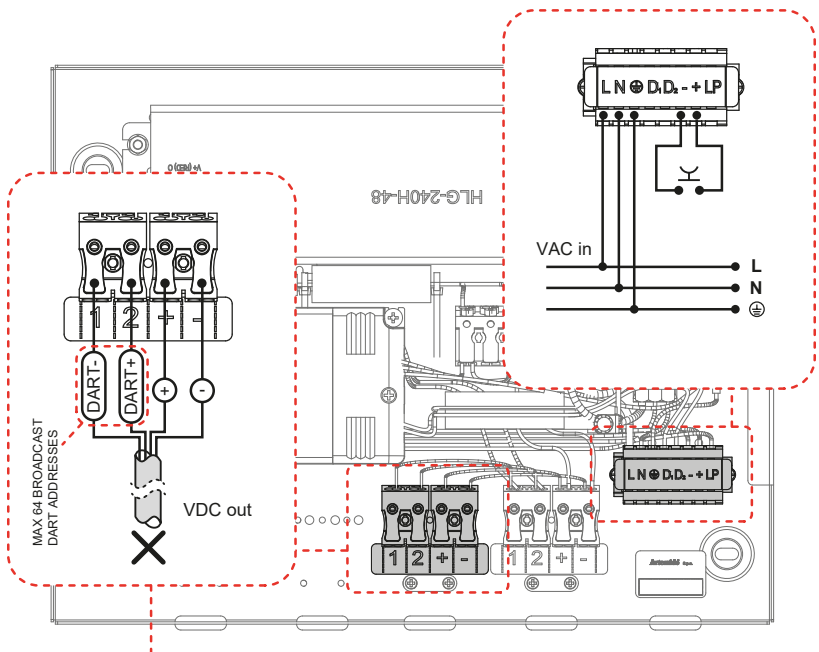
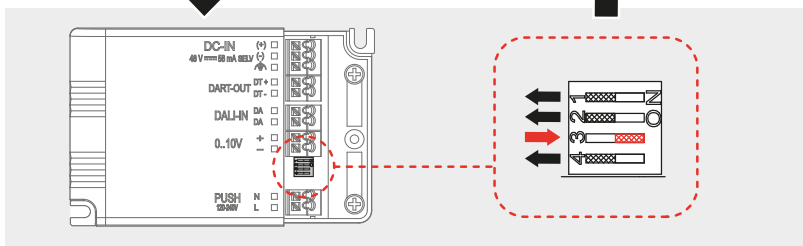
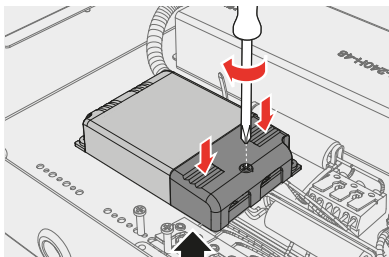
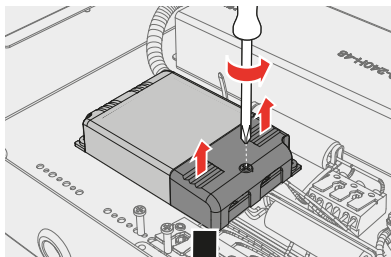
	EN	IT	ES	FR	DE
DART-	Purple	Viola	Morado	Pourpre	Lila
DART+	Orange	Arancione	Naranja	Orange	Orange
-	Black	Nero	Negro	Noir	Schwarz
+	Red	Rosso	Rojo	Rouge	Rot



Only for TA62500, TA68000



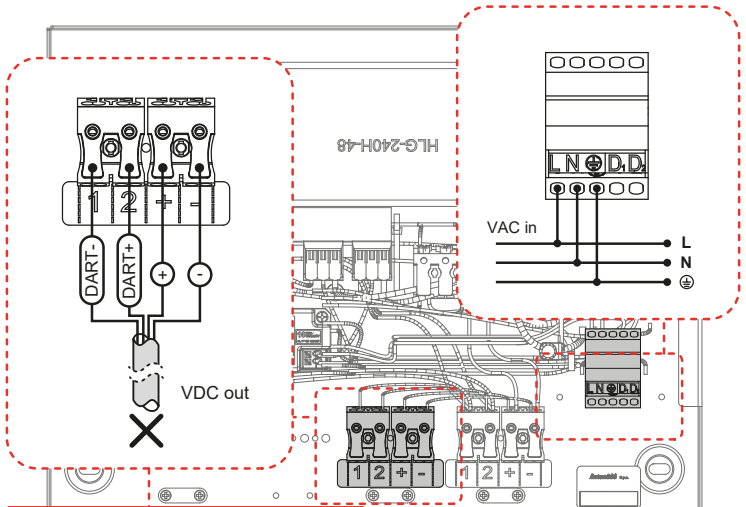
	EN	IT	ES	FR	DE
DART-	Purple	Viola	Morado	Pourpre	Lila
DART+	Orange	Arancione	Naranja	Orange	Orange
-	Black	Nero	Negro	Noir	Schwarz
+	Red	Rosso	Rojo	Rouge	Rot



	EN	IT	ES	FR	DE
DART-	Purple	Viola	Morado	Pourpre	Lila
DART+	Orange	Arancione	Naranja	Orange	Orange
-	Black	Nero	Negro	Noir	Schwarz
+	Red	Rosso	Rojo	Rouge	Rot



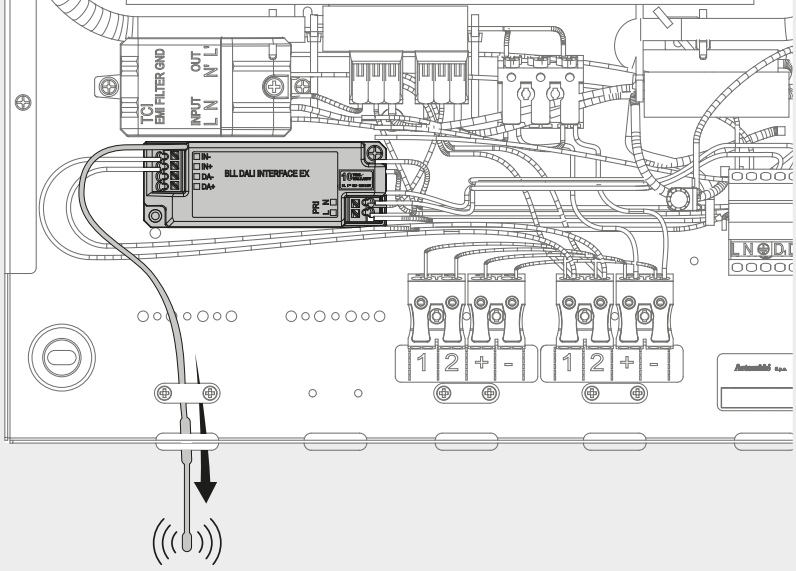
Only for TA62500APP, TA68000APP



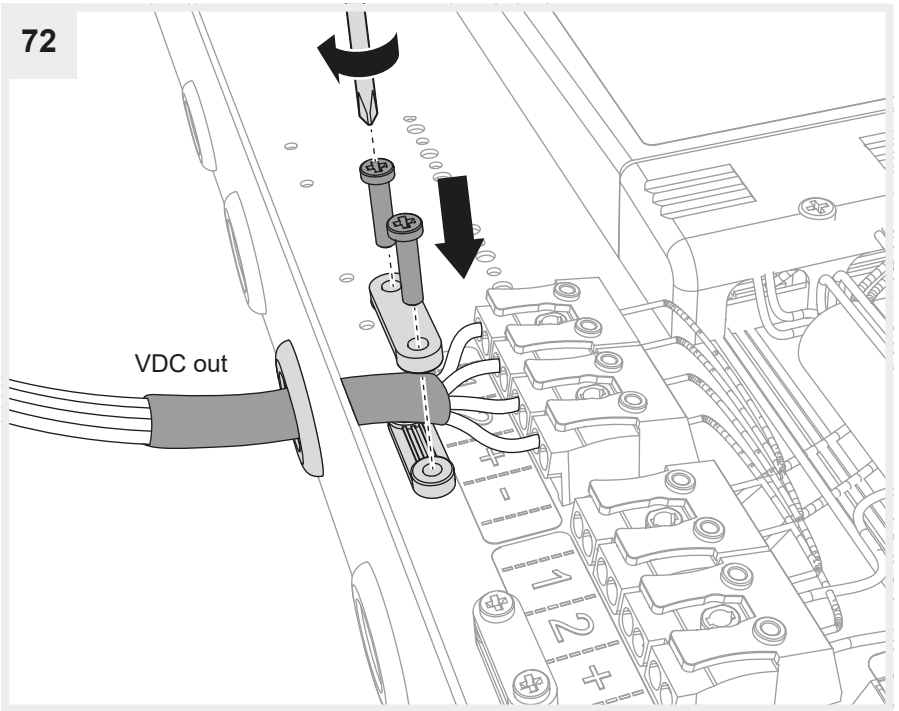
	EN	IT	ES	FR	DE
DART-	Purple	Viola	Morado	Pourpre	Lila
DART+	Orange	Arancione	Naranja	Orange	Orange
-	Black	Nero	Negro	Noir	Schwarz
+	Red	Rosso	Rojo	Rouge	Rot



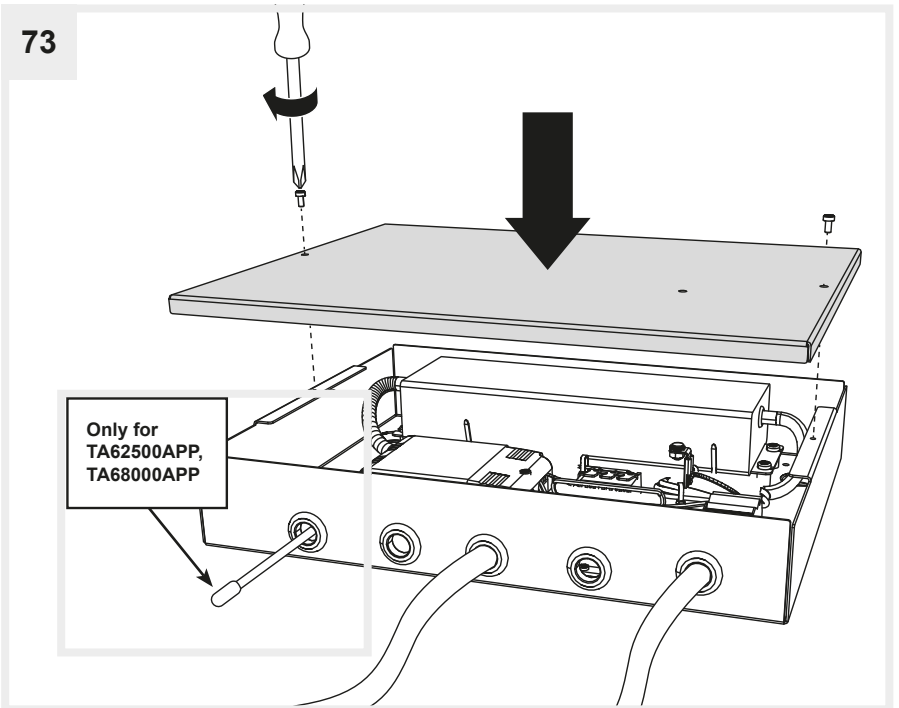
Only for TA62500APP, TA68000APP



72

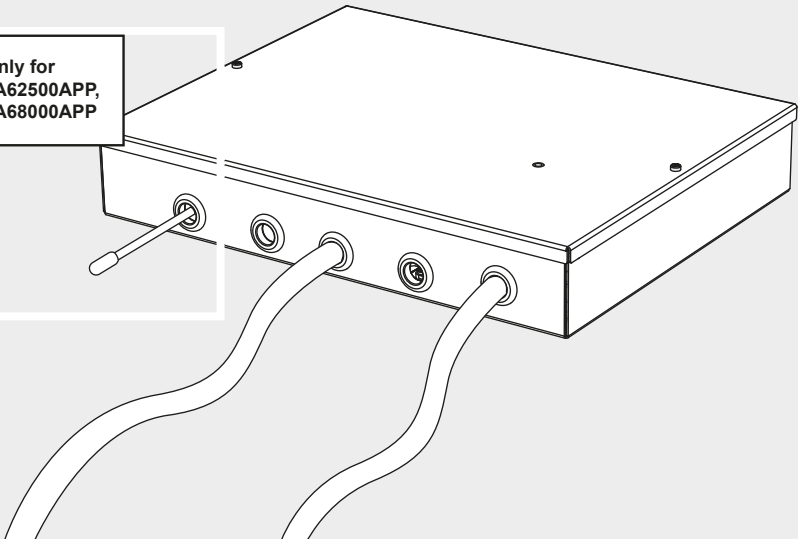


73





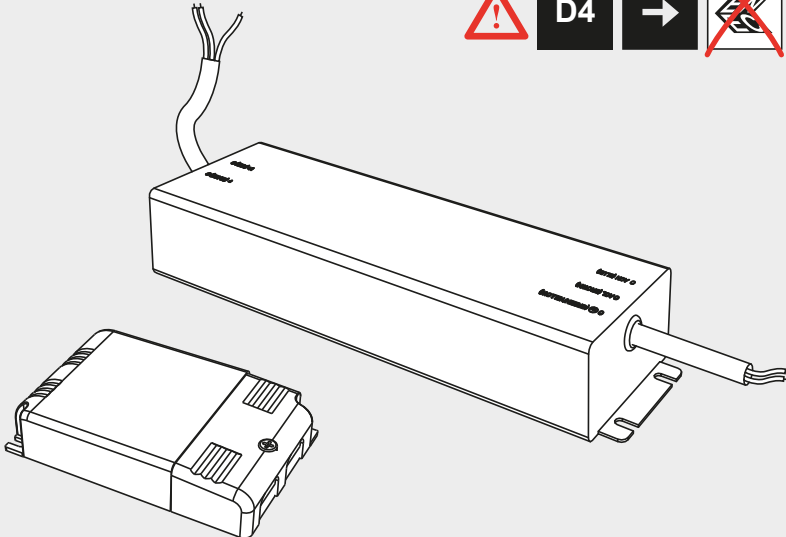
Only for
TA62500APP,
TA68000APP



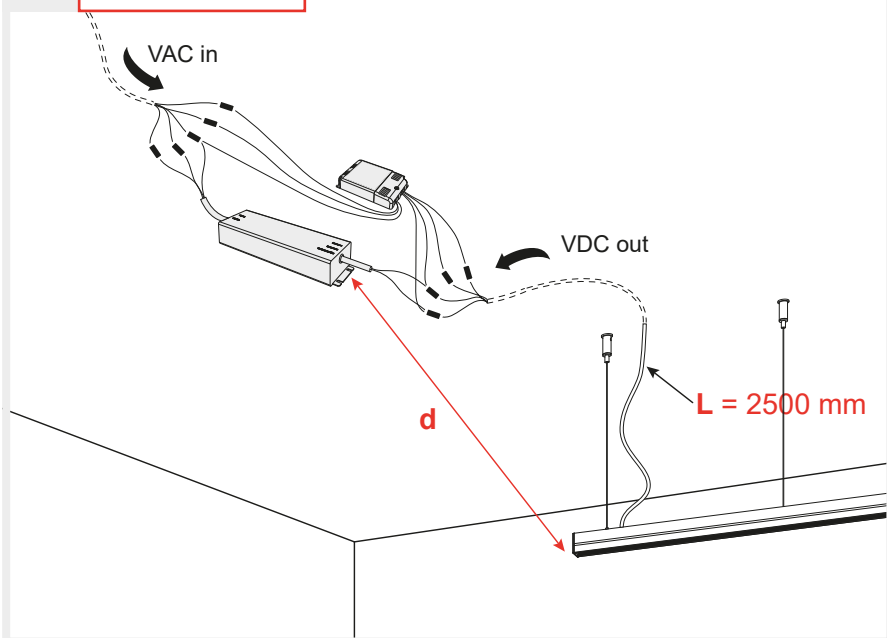
D4



D4



74

 $d < 2300 \text{ mm}$ 

75

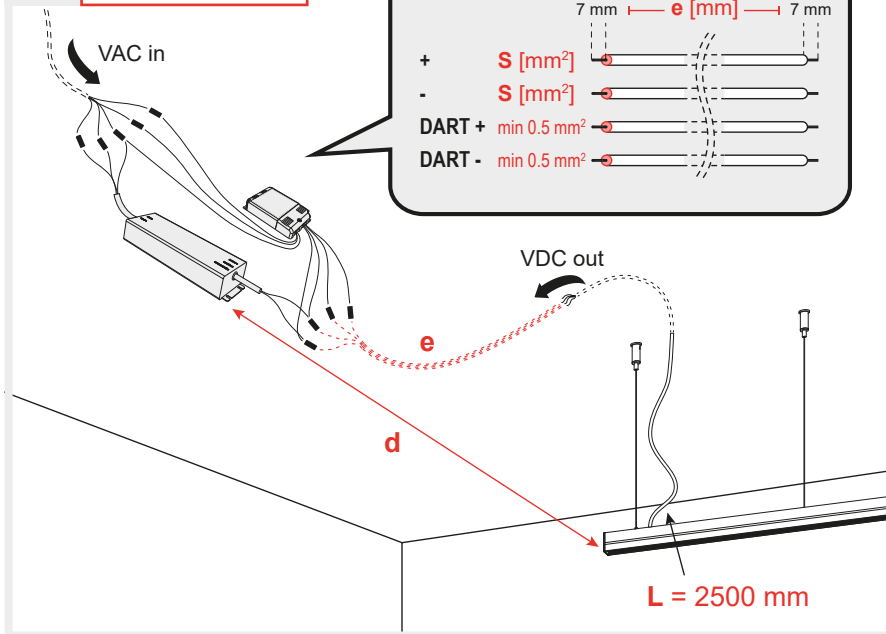
 $d < 2300 \text{ mm}$

Output Max [W]	Max configuration length powerable with standard power cable $L = 2500 \text{ mm}$ [m]
125	48
210	27
270	21

	Standard power cable colours					Cable cross section	
	EN	IT	ES	FR	DE	AWG	[mm ²]
DART-	Purple	Viola	Morado	Pourpre	Lila	20	0.5
DART+	Orange	Arancione	Naranja	Orange	Orange	20	0.5
-	Black	Nero	Negro	Noir	Schwarz	16	1.5
+	Red	Rosso	Rojo	Rouge	Rot	16	1.5



76

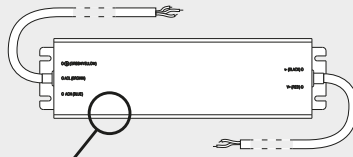
d > 2300 mm

77

d > 2300 mm

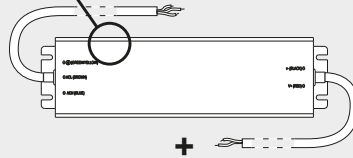
Output Max [W]	Extension cord length $e \text{ [m]}$	Extension cord cross section $S \text{ [mm}^2\text{]}$	Max configuration length powerable with a cable length = $e + L \text{ [m]}$
125	10	1	29
	15	1.5	29
	25	2.5	29
	40	4	29
210	5	1	18
	10	1.5	15
	16	2.5	15
	25	4	15
270	5	1.5	14
	10	2.5	13
	17	4	12
	25	6	13

i

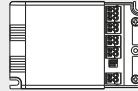


79

Output Max



80



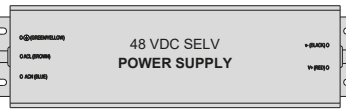
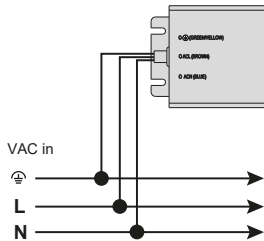
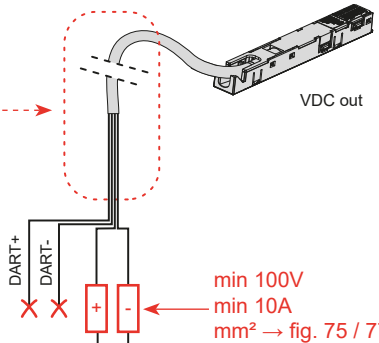
Max Output DART addresses = 64

78

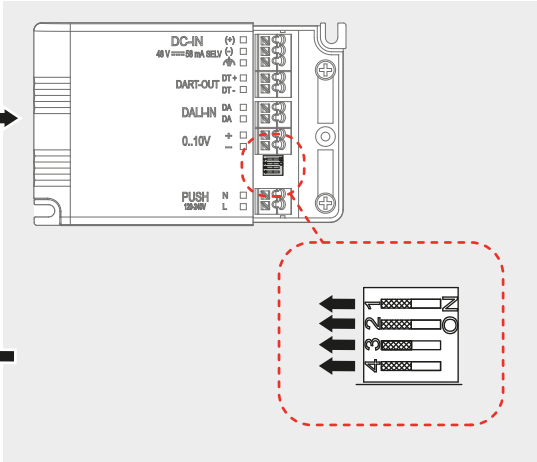
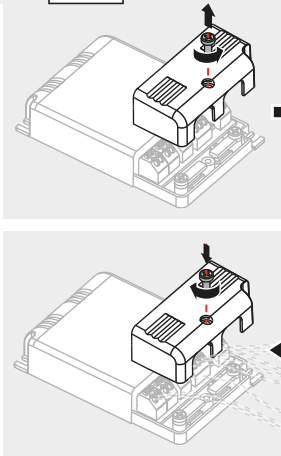


i → **75** **77**

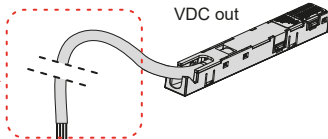
	EN	IT	ES	FR	DE
DART-	Purple	Viola	Morado	Pourpre	Lila
DART+	Orange	Arancione	Naranja	Orange	Orange
-	Black	Nero	Negro	Noir	Schwarz
+	Red	Rosso	Rojo	Rouge	Rot



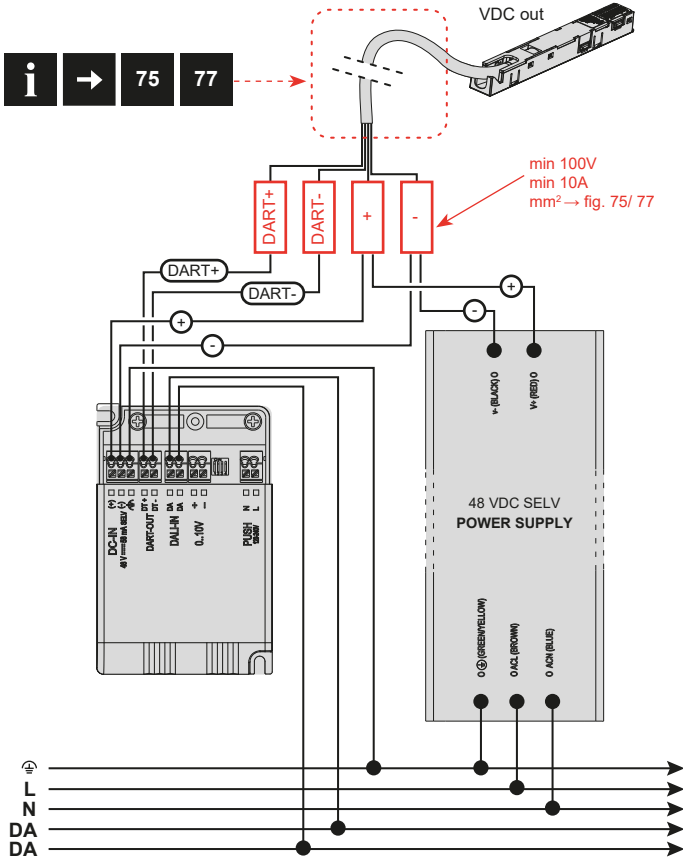
79a



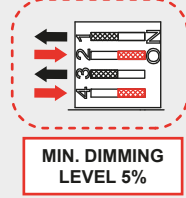
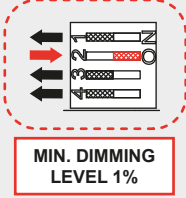
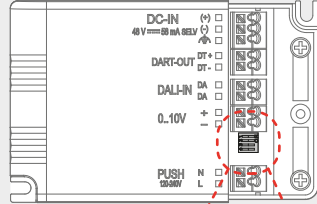
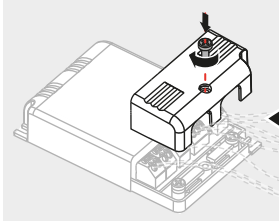
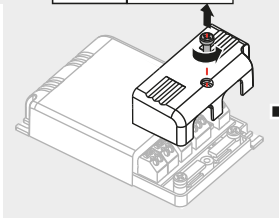
i → **75** **77**



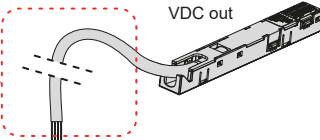
min 100V
min 10A
mm² → fig. 75/77



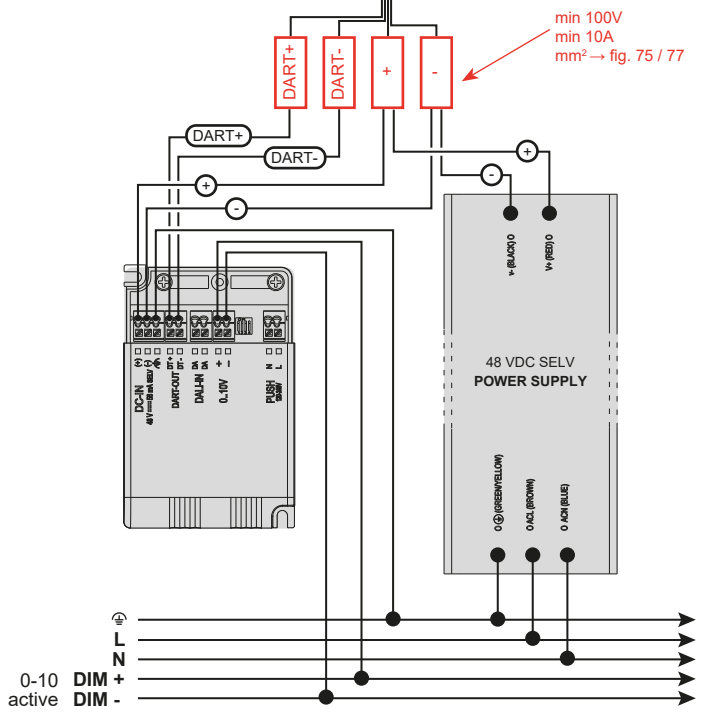
79b



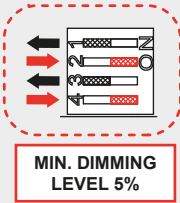
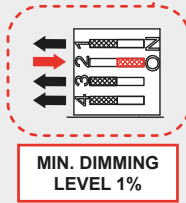
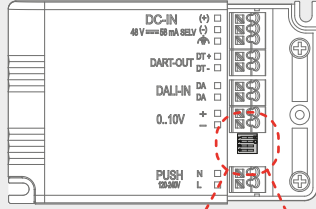
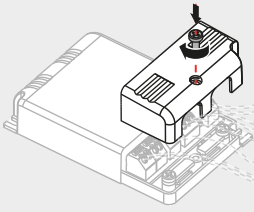
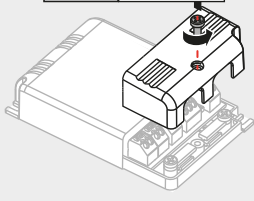
i → 75 77



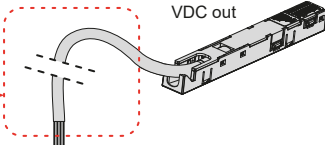
min 100V
min 10A
mm² → fig. 75 / 77



79c

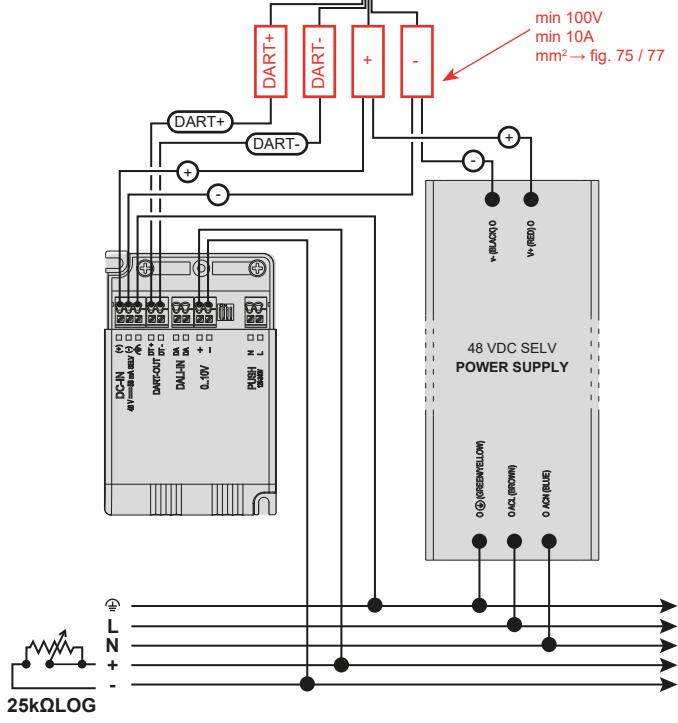


i → 75 77

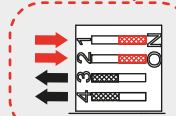
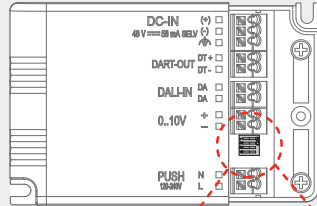
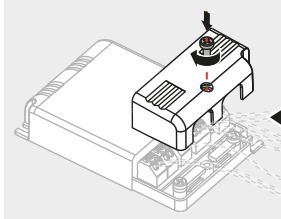
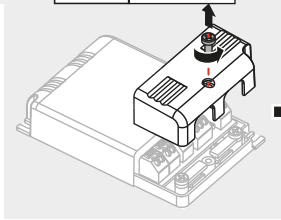


VDC out

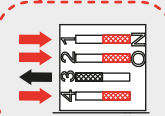
min 100V
min 10A
mm² → fig. 75 / 77



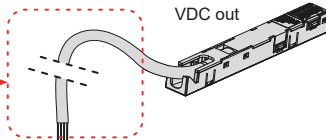
79d



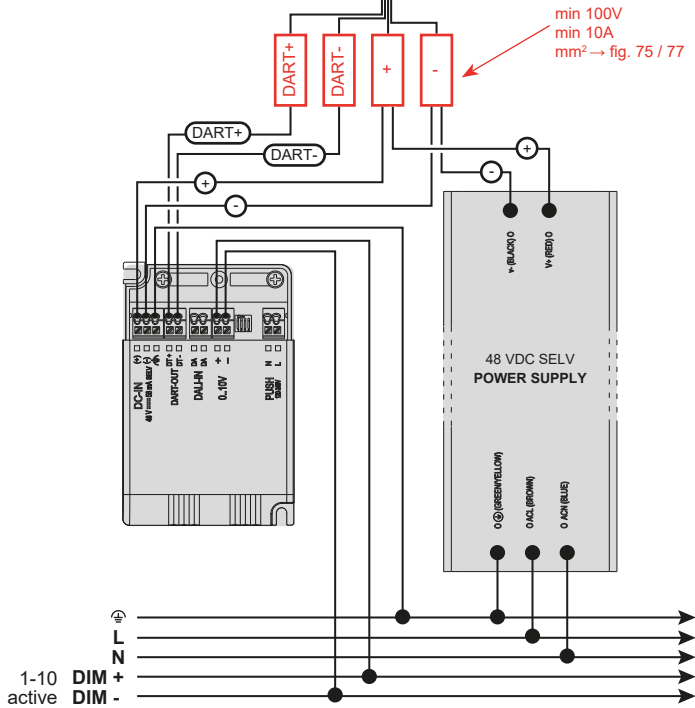
MIN. DIMMING
LEVEL 1%



MIN. DIMMING
LEVEL 5%



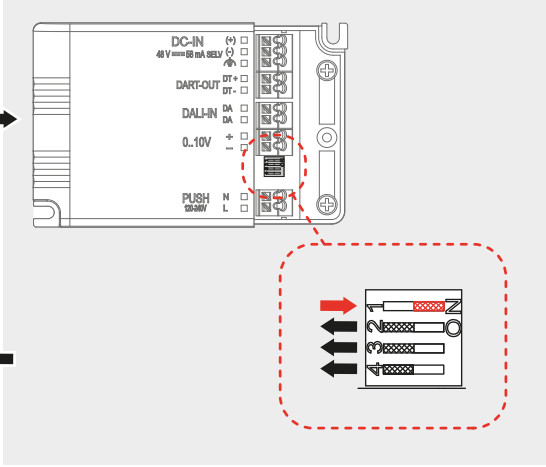
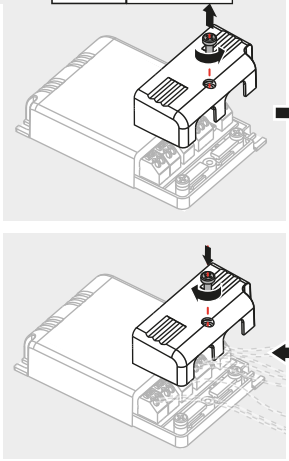
min 100V
min 10A
mm² → fig. 75 / 77



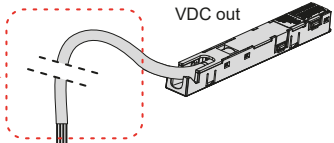
79e



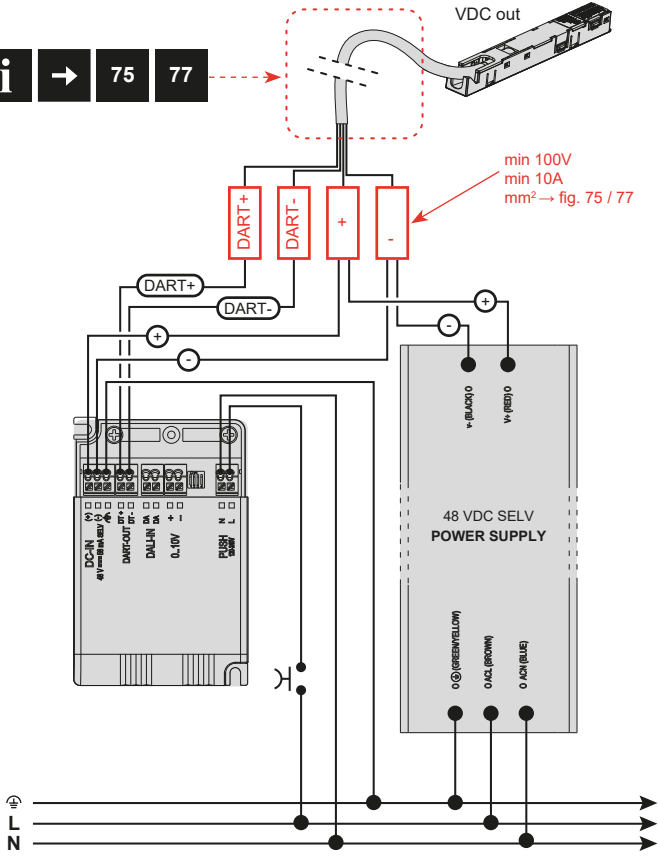
Push

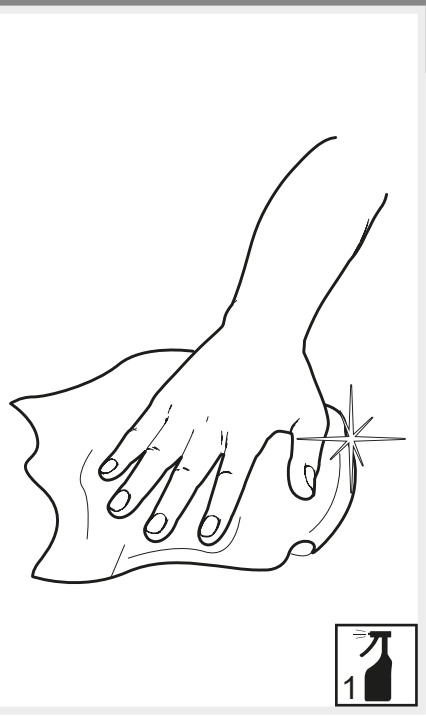


i → 75 77

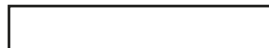


min 100V
min 10A
mm² → fig. 75 / 77





Artemide®



Artemide

via Bergamo, 18
20006 Pregnana M.se (MI)
ITALIA

tel. +39 02 935 181
fax +39 02 935 90 254
fax +39 02 935 90 496

www.artemide.com

VAT IT00846890150

cod. Y513001474C