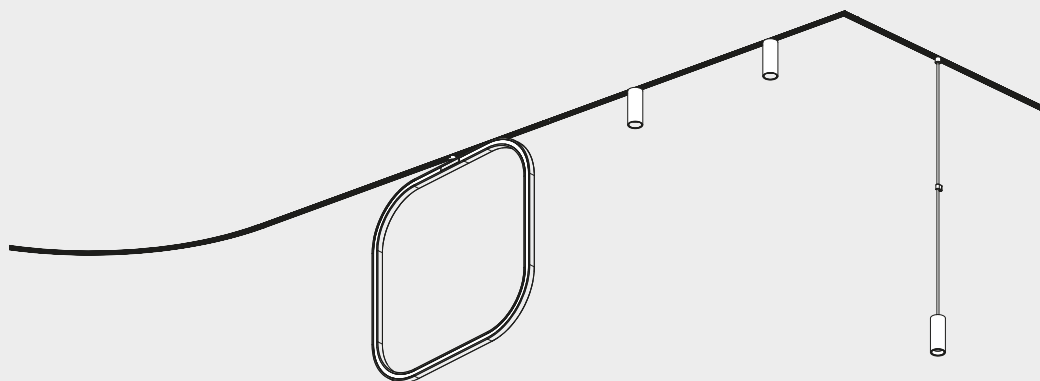


Artemide®

TURN AROUND SYSTEM RECESSED

design
Carlotta de Bevilacqua

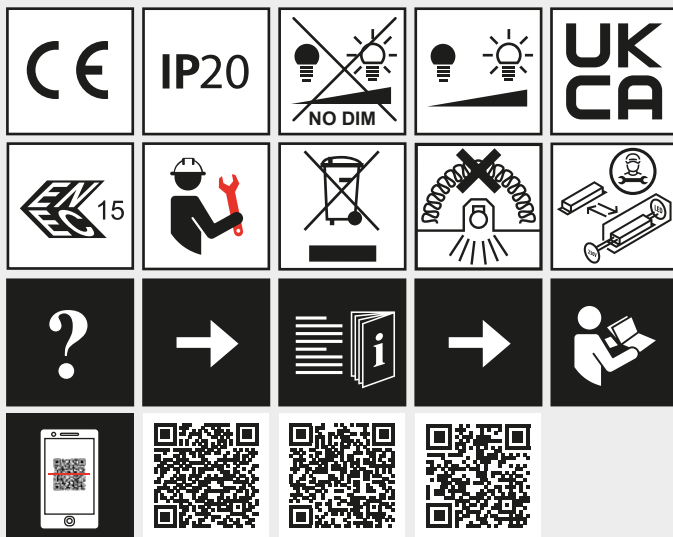
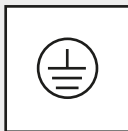




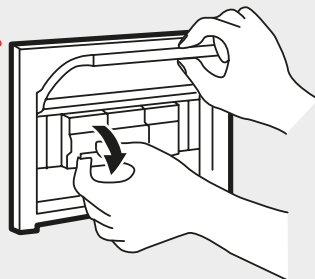
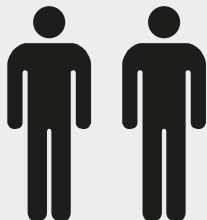
i

TRACK

POWER KIT



Artemide App
Quick Starting Guide





IT ATTENZIONE

- Tutte le operazioni devono essere eseguite da personale specializzato, è responsabilità dell'utente assicurare tutte le compatibilità tra il sistema di binari e gli apparecchi.
- Rischio di scossa elettrica - collegare solo all'alimentazione SELV 48V DC con segnale di controllo SELV - non collegare mai alla tensione di rete.
- Il sistema di binari di classe III non è compatibile con il sistema di binari di classe I e di classe III di altri produttori.
- Il carico meccanico deve essere inteso come il carico completo dell'intero sistema.

EN WARNING

- All operations must be done by specialized personnel, it is user's responsibility to ensure all compatibilities between track system and luminaires.
- Risk of electric shock – connect only to 48V DC SELV supply with SELV control signal only – never connects to mains voltage.
- Class III track system is not compatible with class I track system and class III track system from other manufacturer.
- Mechanical loading shall be intended as the complete loading of the whole system.

FR AVERTISSEMENT

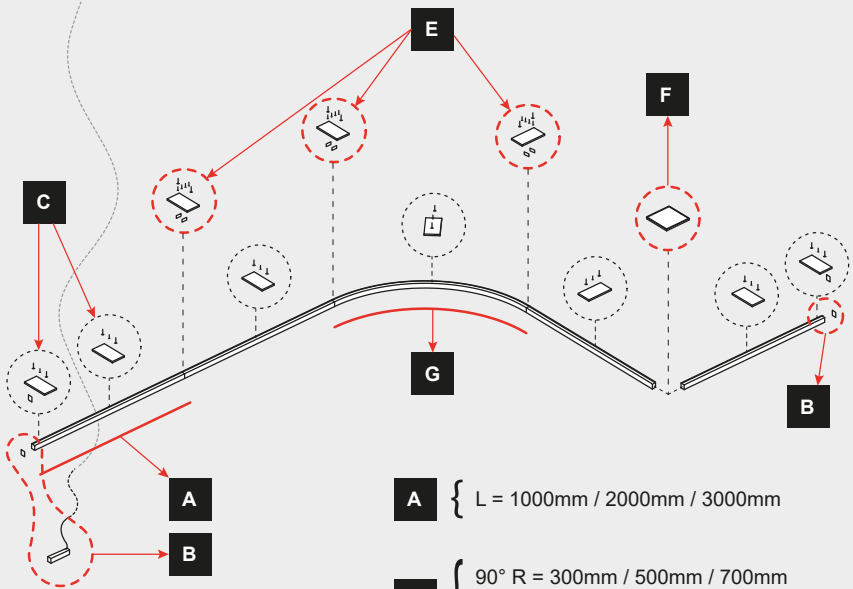
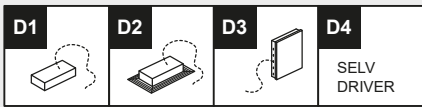
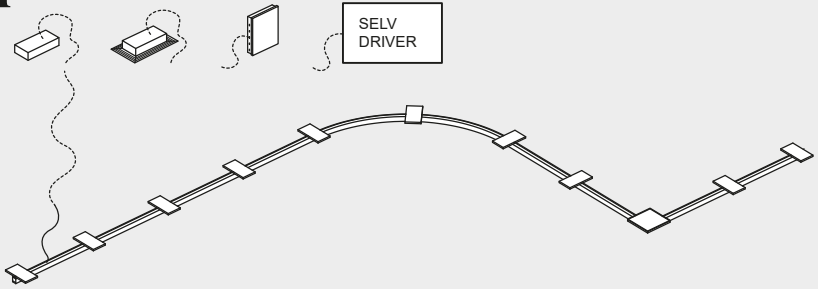
- Toutes les opérations doivent être effectuées par du personnel spécialisé, il est de la responsabilité de l'utilisateur de s'assurer de toutes les compatibilités entre le système de rails et les luminaires.
- Risque de choc électrique - connecter uniquement à l'alimentation SELV 48V DC avec le signal de contrôle SELV uniquement - ne jamais connecter à la tension du secteur.
- Le système de rails de classe III n'est pas compatible avec le système de rails de classe I et le système de rails de classe III d'un autre fabricant.
- Le chargement mécanique doit être compris comme le chargement complet de l'ensemble du système.

ES ADVERTENCIA

- Todas las operaciones deben ser realizadas por personal especializado, es responsabilidad del usuario asegurar todas las compatibilidades entre el sistema de carriles y las luminarias.
- Riesgo de descarga eléctrica - conecte sólo a la alimentación SELV de 48V DC con señal de control SELV - nunca conecte a la tensión de red.
- El sistema de carriles de clase III no es compatible con el sistema de carriles de clase I ni con el sistema de carriles de clase III de otro fabricante.
- La carga mecánica debe entenderse como la carga completa de todo el sistema.

DEU WARNUNG

- Alle Arbeiten müssen von Fachpersonal durchgeführt werden, es liegt in der Verantwortung des Anwenders, alle Kompatibilitäten zwischen Schienensystem und Leuchten sicherzustellen.
- Gefahr eines elektrischen Schlages - nur an 48V DC SELV-Versorgung mit SELV-Steuersignal anschließen - niemals an Netzspannung anschließen.
- Das Schienensystem der Klasse III ist nicht kompatibel mit dem Schienensystem der Klasse I und dem Schienensystem der Klasse III von anderen Herstellern.
- Die mechanische Belastung ist als vollständige Belastung des gesamten Systems zu verstehen.

i

A { L = 1000mm / 2000mm / 3000mm

G { 90° R = 300mm / 500mm / 700mm
60° R = 300mm / 500mm / 700mm
45° R = 300mm / 500mm / 700mm

A Fig. 1

D1 Fig. 26

D4 Fig. 74

F Fig. 14

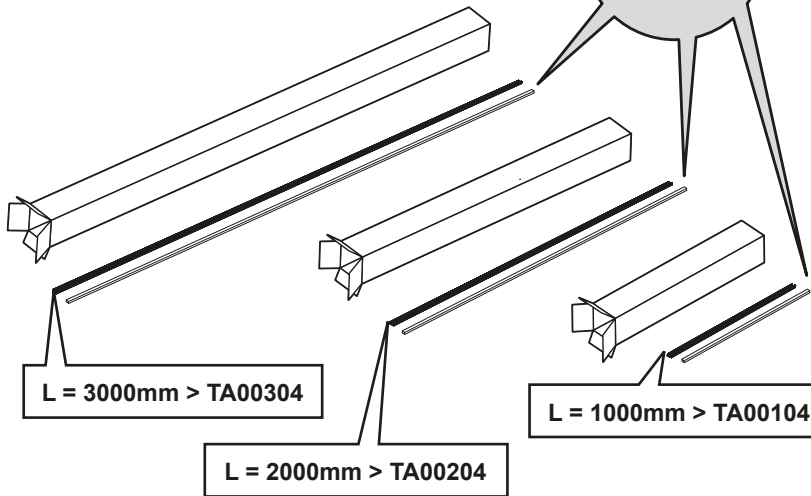
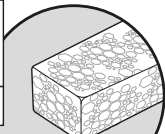
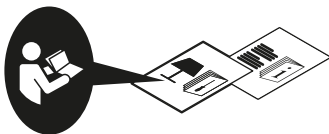
D2 Fig. 41

G Fig. 19

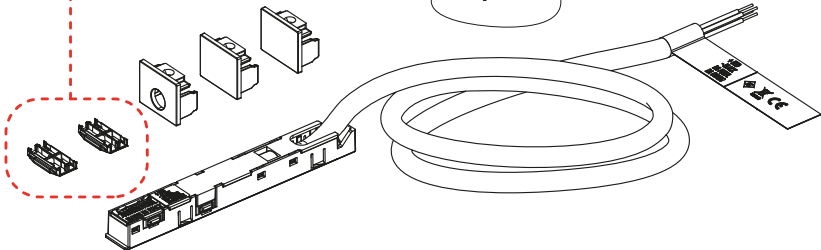
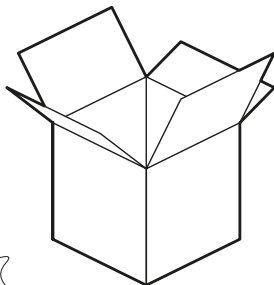
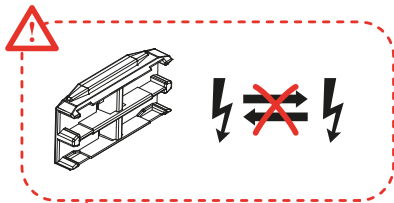
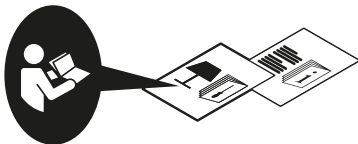
D3 Fig. 61



A

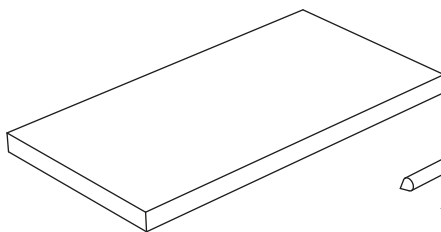
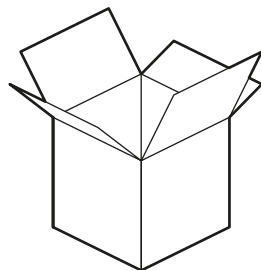
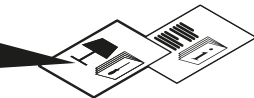


B

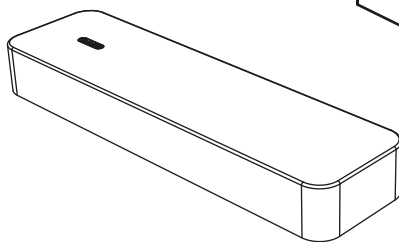
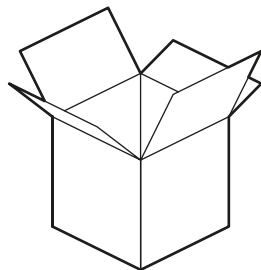
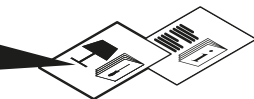




C

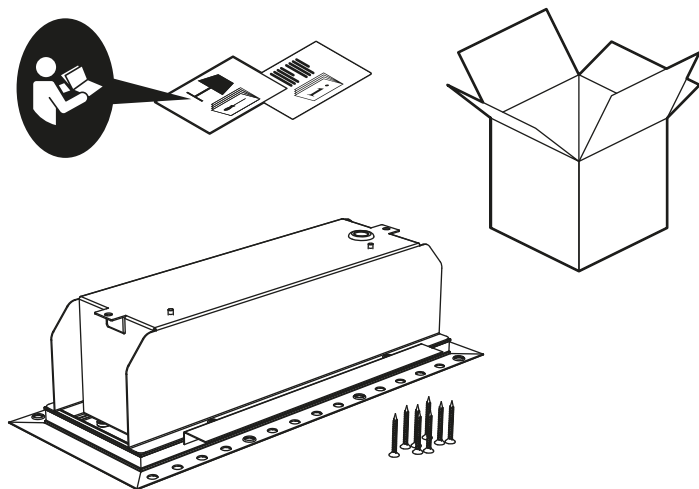


D1

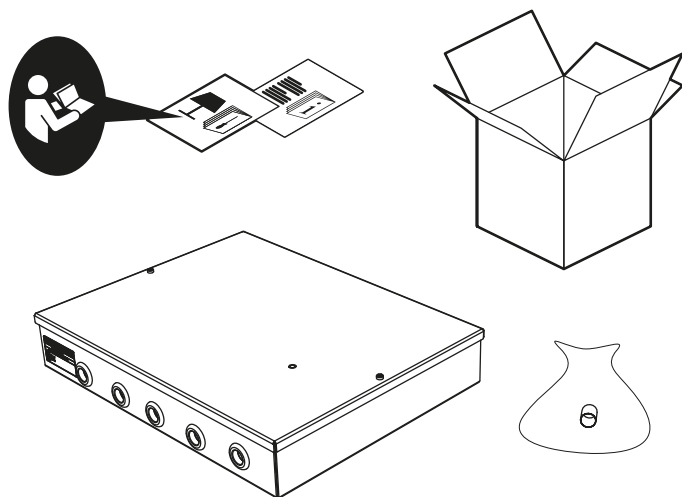




D2

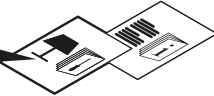


D3





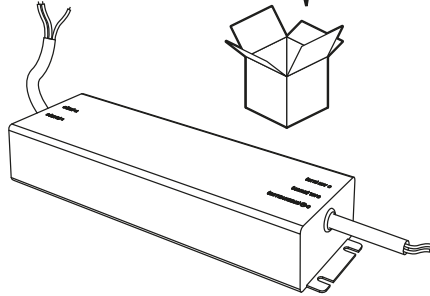
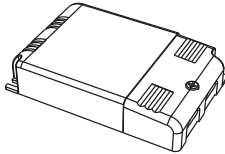
D4



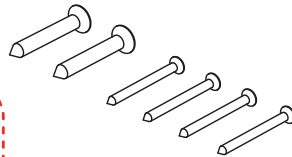
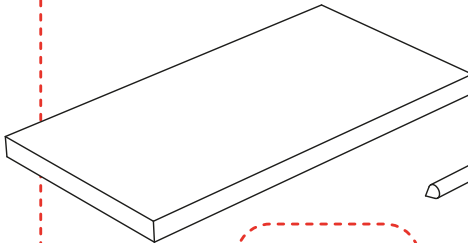
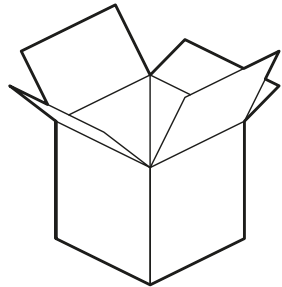
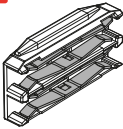
TA98000
TA98100



DV1061



E





F

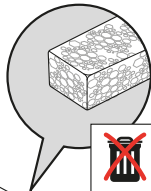
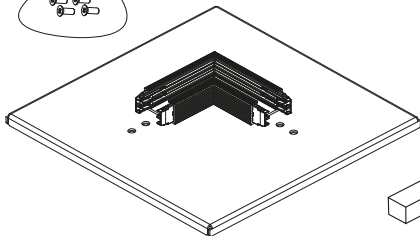
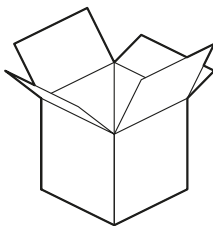
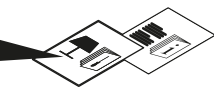


Fig. 19



G

60° - R 300mm > TA30304
 60° - R 500mm > TA30404
 60° - R 700mm > TA30504



45° - R 300mm > TA30004
 45° - R 500mm > TA30104
 45° - R 700mm > TA30204

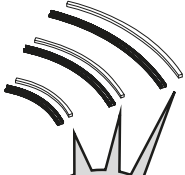
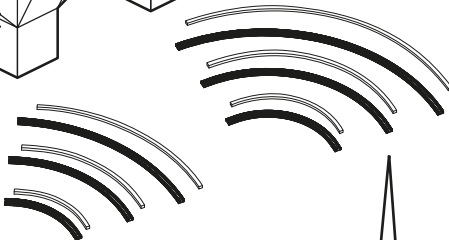
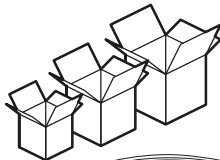
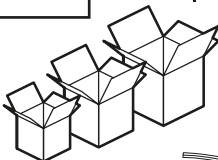
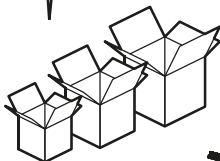


Fig. 25

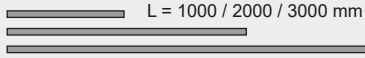
90° - R 300mm > TA30604
 90° - R 500mm > TA30704
 90° - R 700mm > TA30804



i



A



C



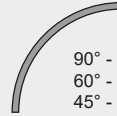
F



E

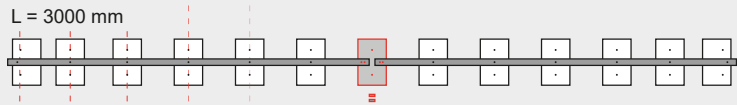
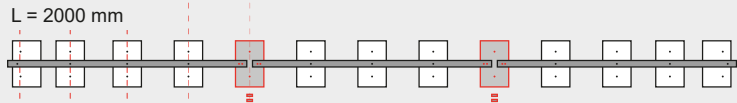
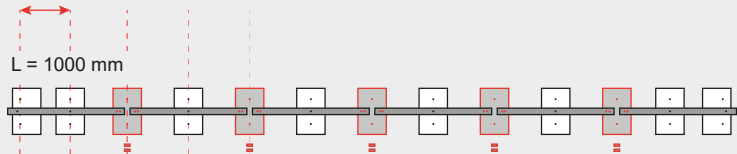


G

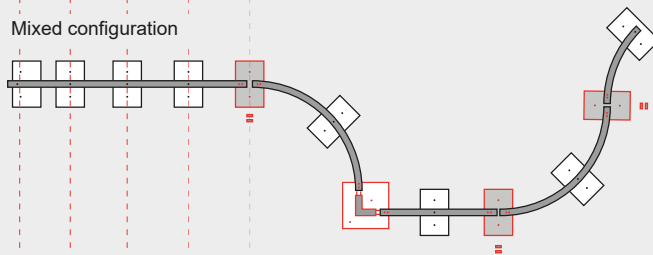


90° - R 300 / 500 / 700 mm
60° - R 300 / 500 / 700 mm
45° - R 300 / 500 / 700 mm

~ 500 mm



Mixed configuration



1st

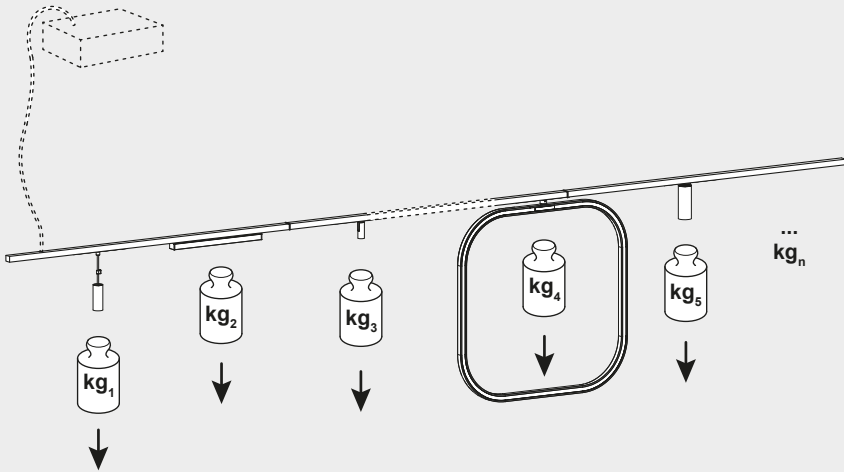


Fig. 2

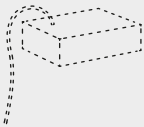
Last

Fig. 2

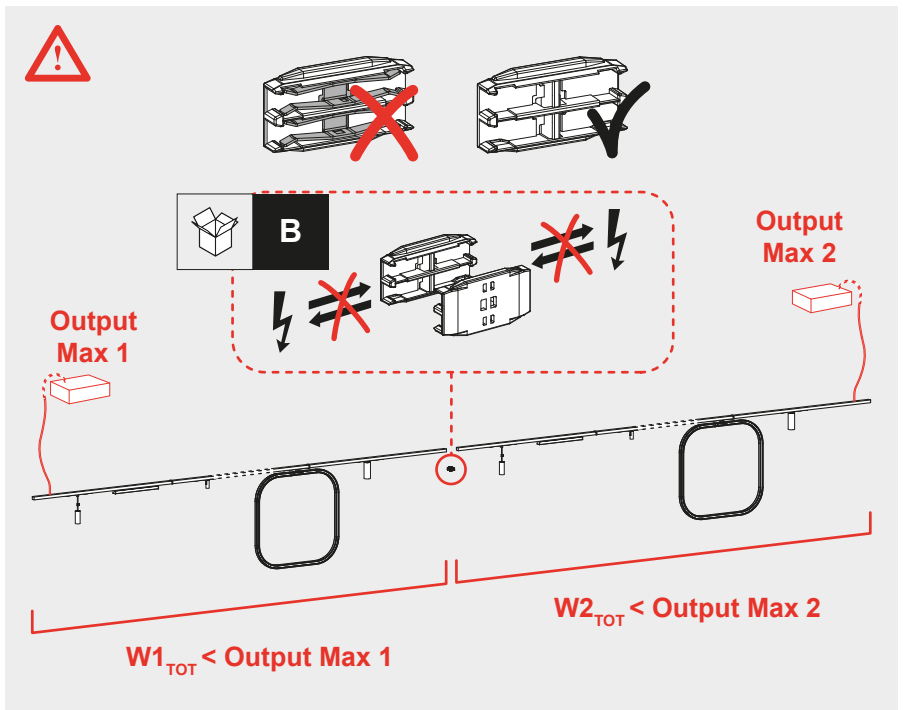
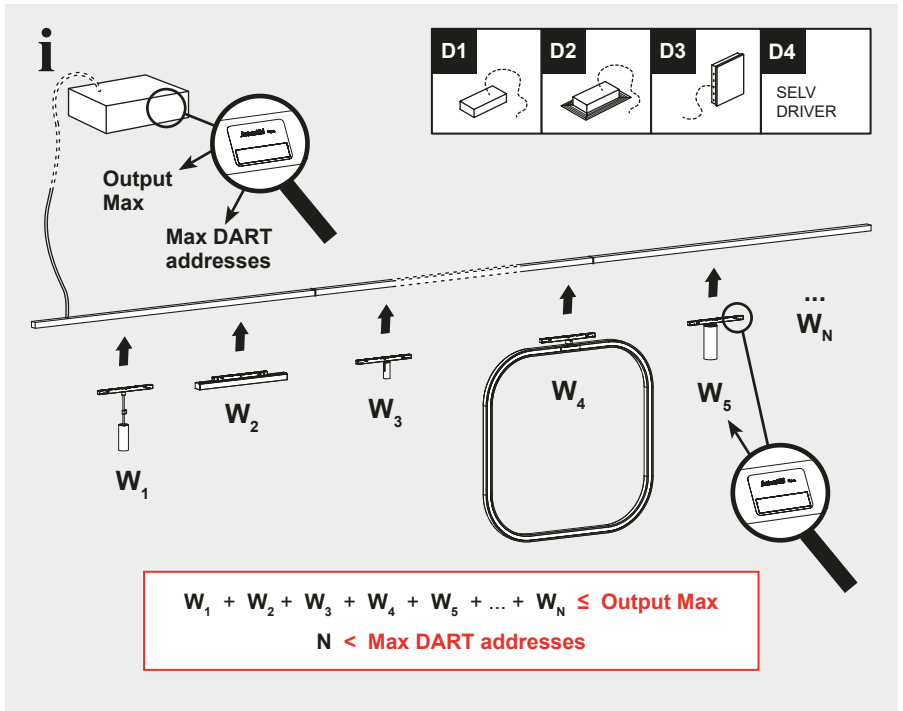


i

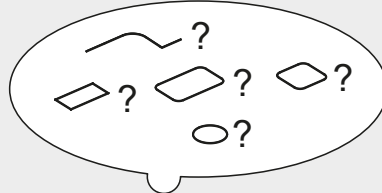
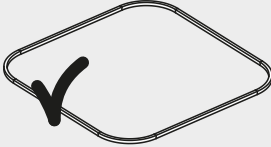
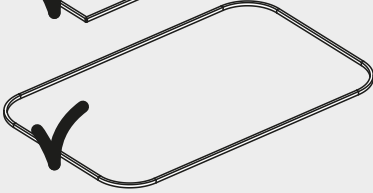
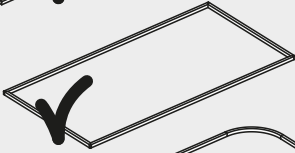
$$kg_1 + kg_2 + kg_3 + kg_4 + kg_5 + \dots + kg_n \leq 3 \text{ kg/m}$$

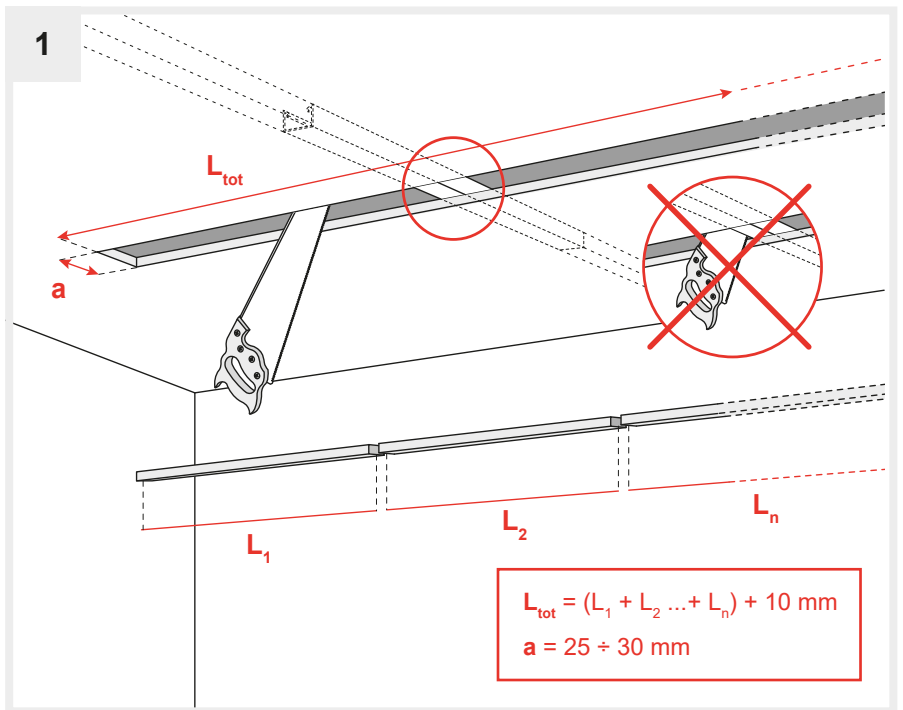
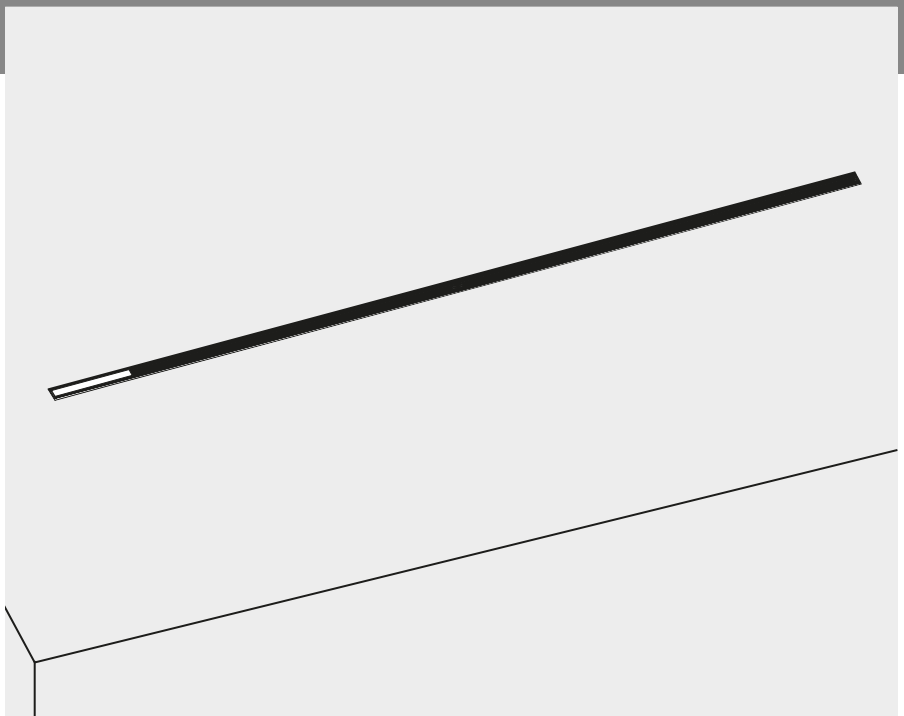
i

| Output max = Max admitted power [W] | Inrush current (typ @230VAC) [A] | t_{width} measured at 50% Ipeak [msec] | Number of power unit under same MCB | | | |
|-------------------------------------------|----------------------------------------|------------------------------------------------|----------------------------------------|------|------|------|
| | | | B16A | B25A | C16A | C25A |
| 270 | 70 | 1011 | 1 | 1 | 2 | 2 |
| 210 | 75 | 570 | 2 | 3 | 4 | 5 |
| 125 | 65 | 550 | 3 | 4 | 6 | 7 |

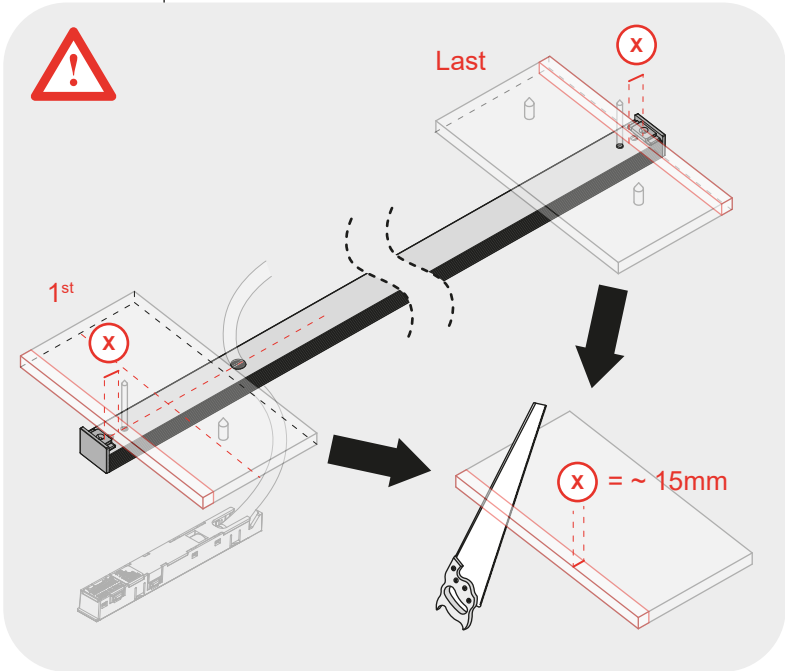
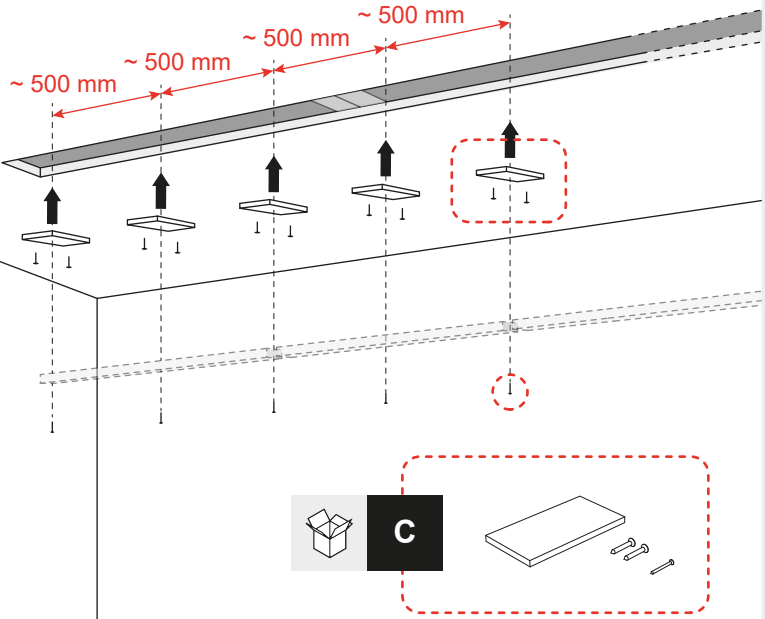


i

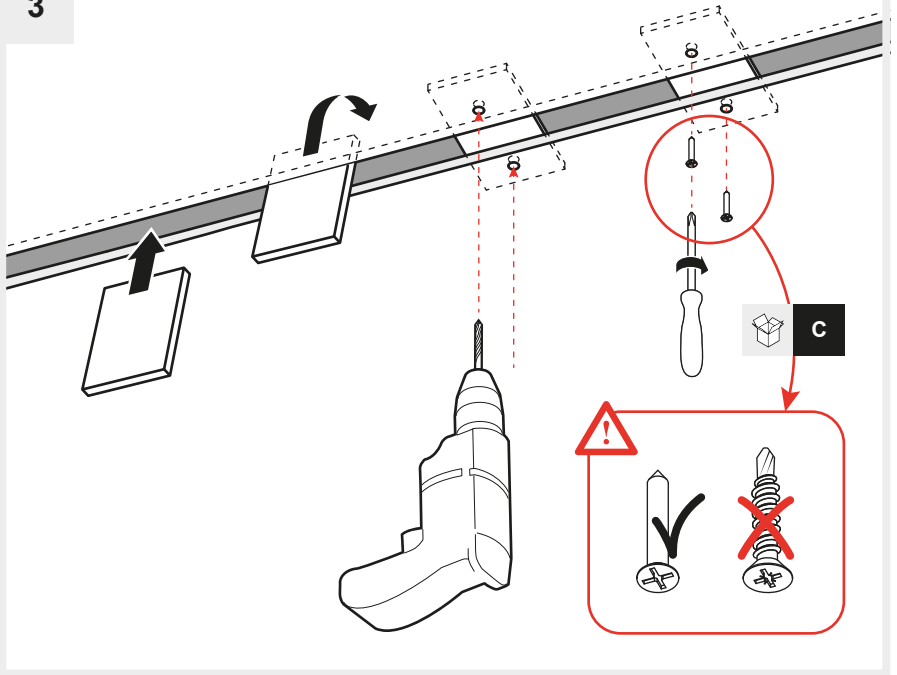




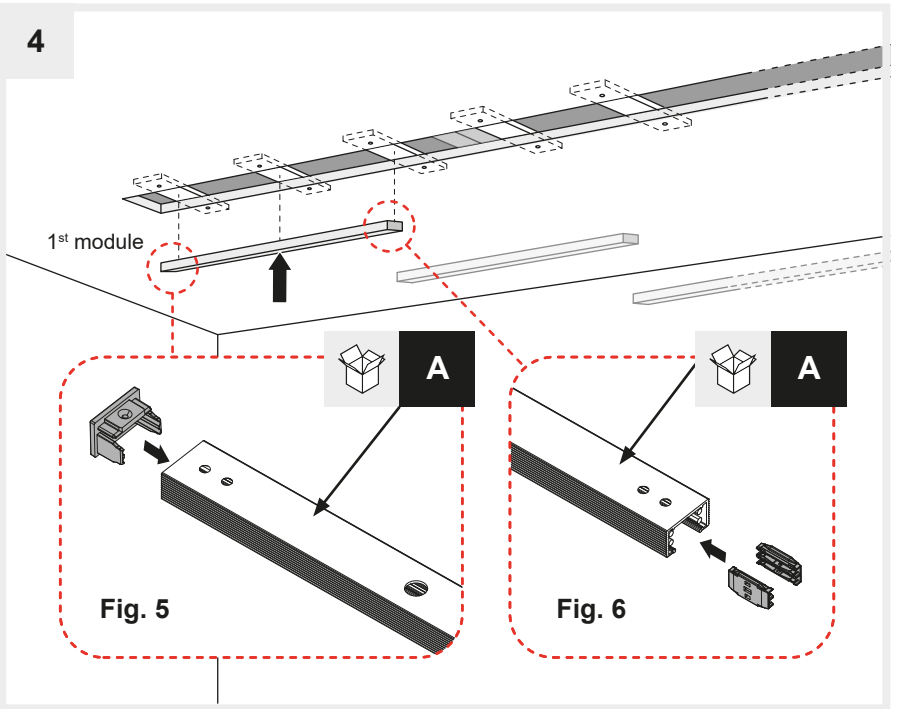
2

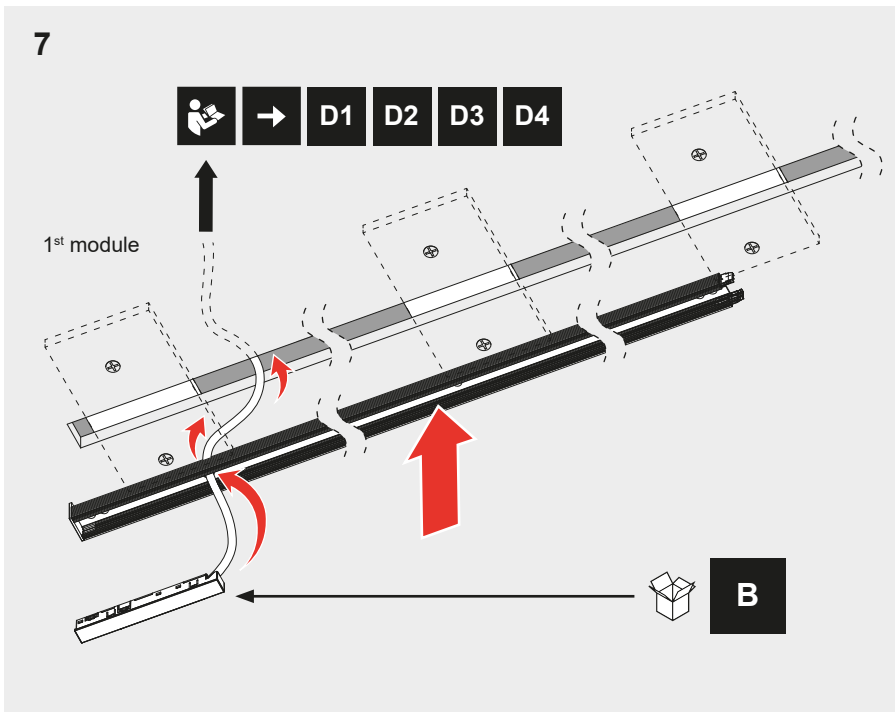
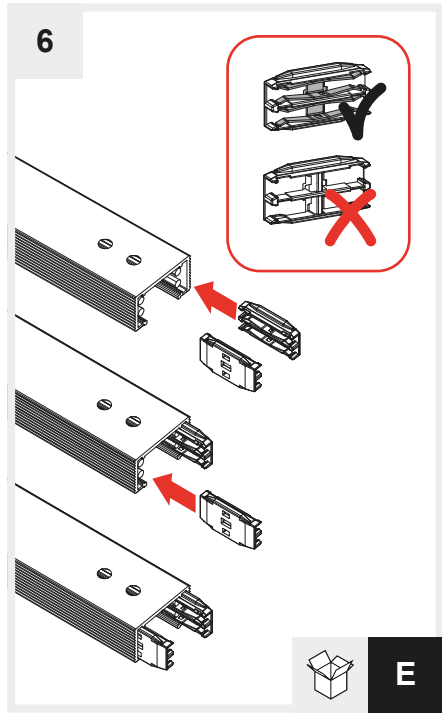
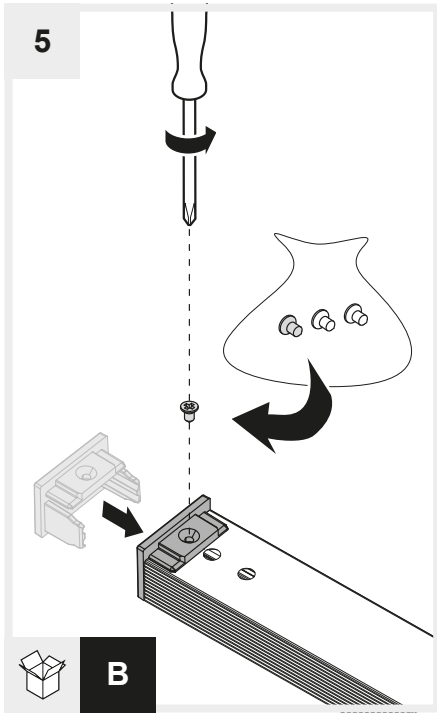


3



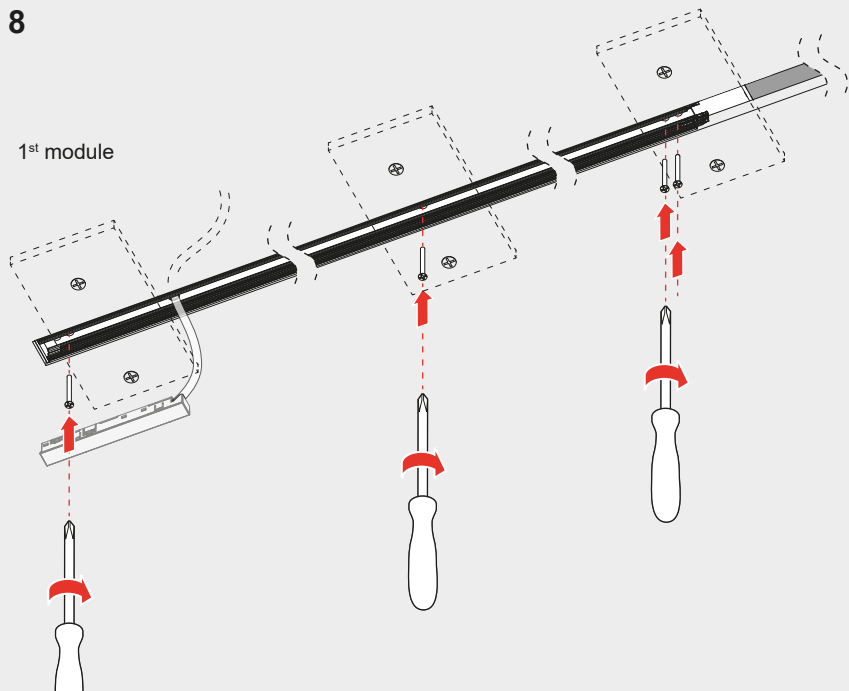
4





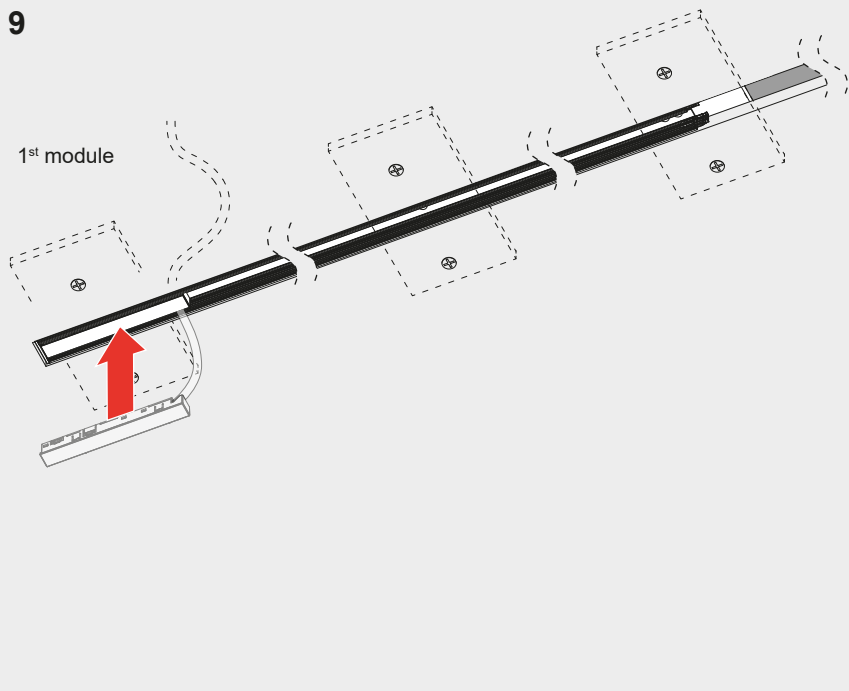
8

1st module

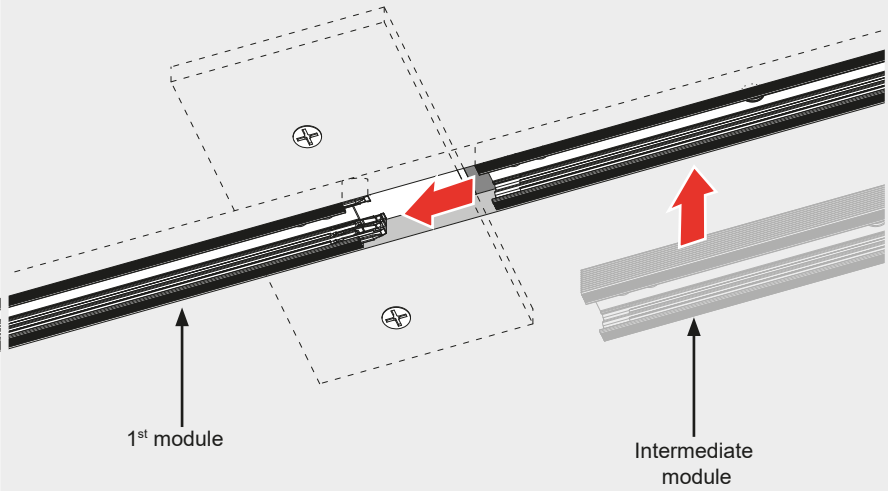


9

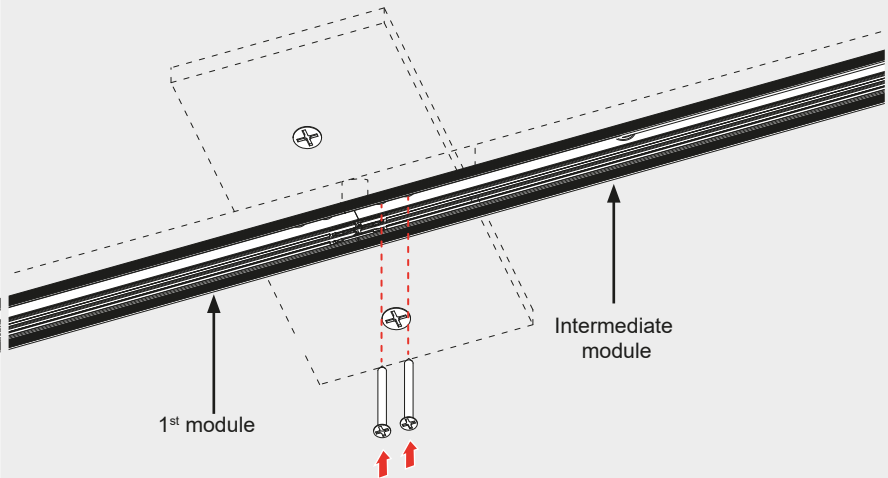
1st module



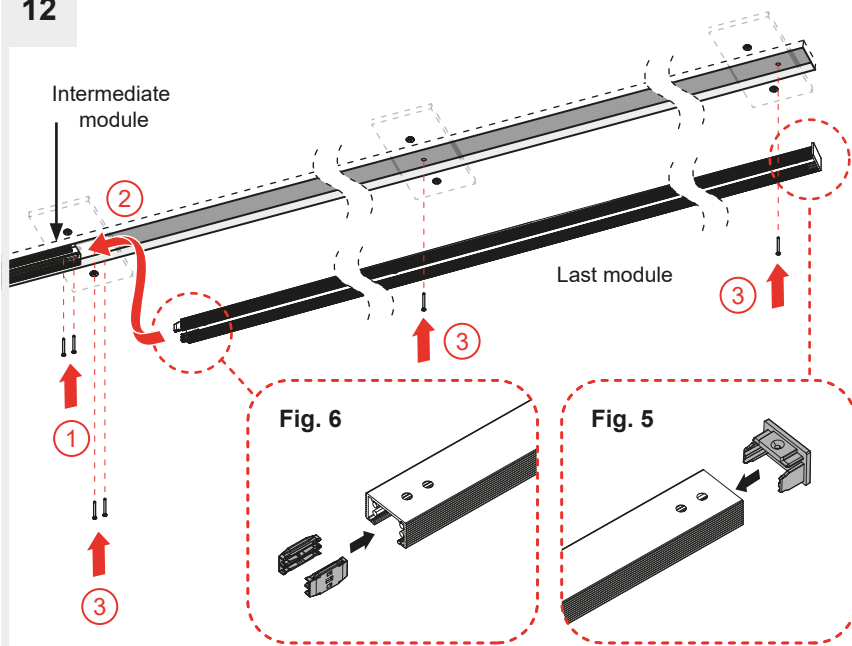
10



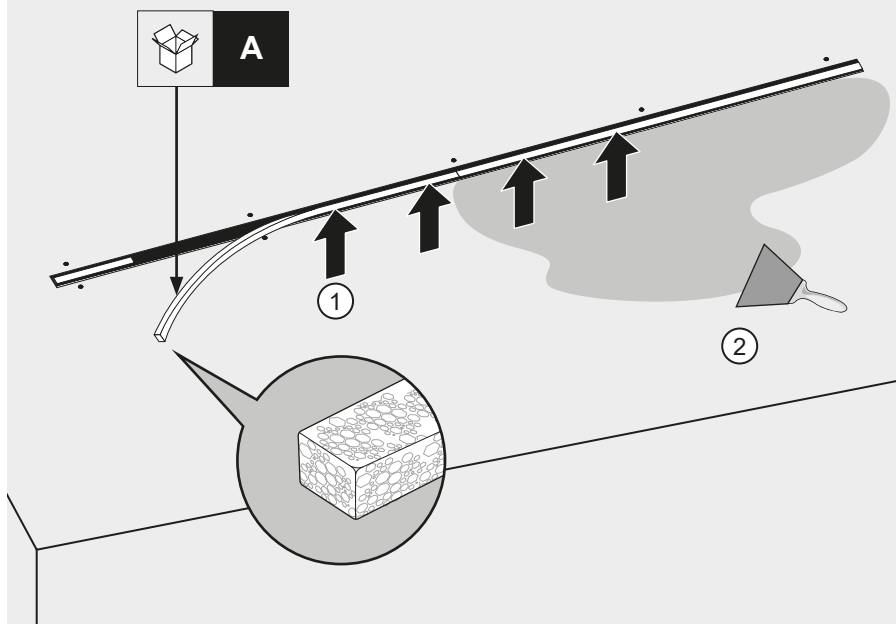
11

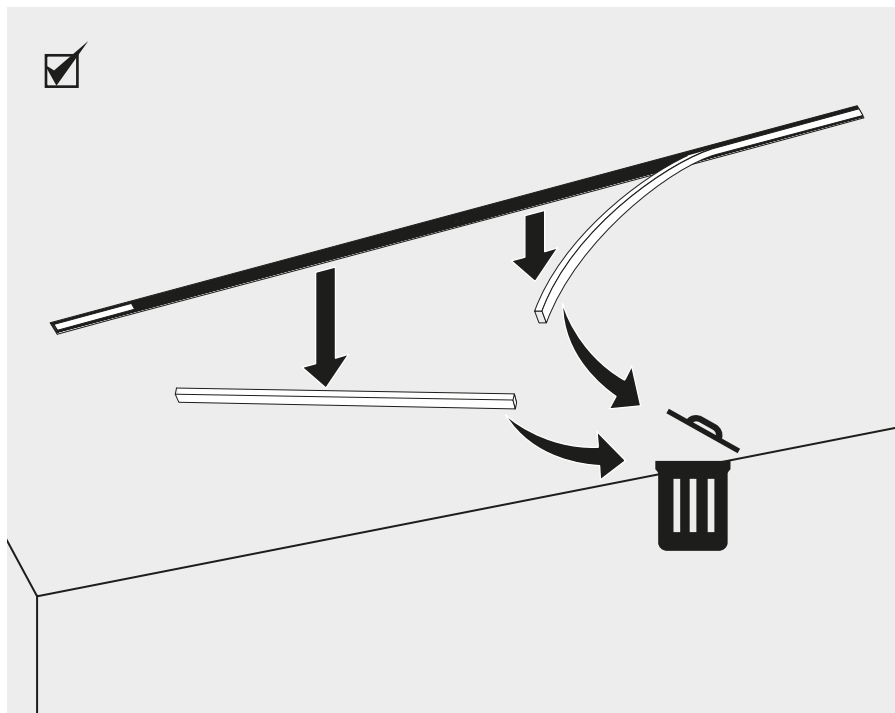


12

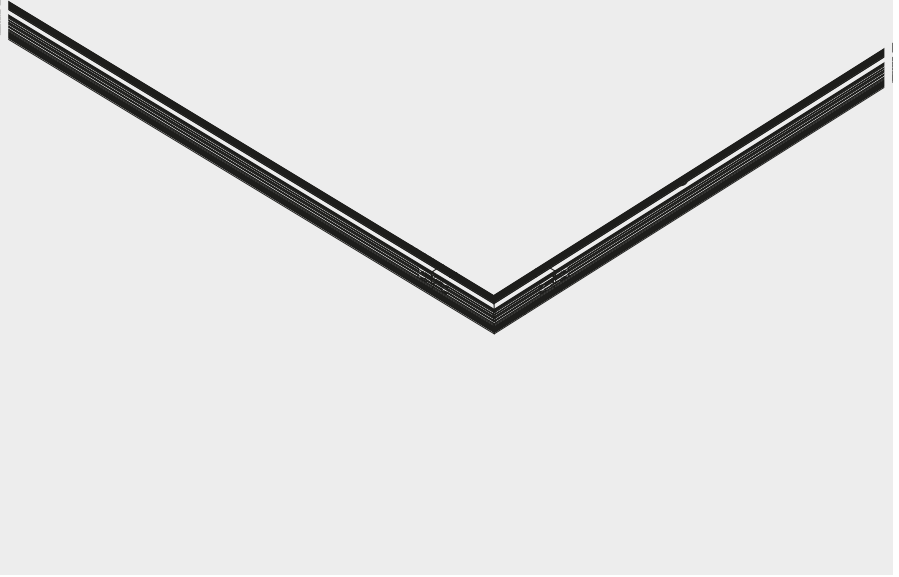


13

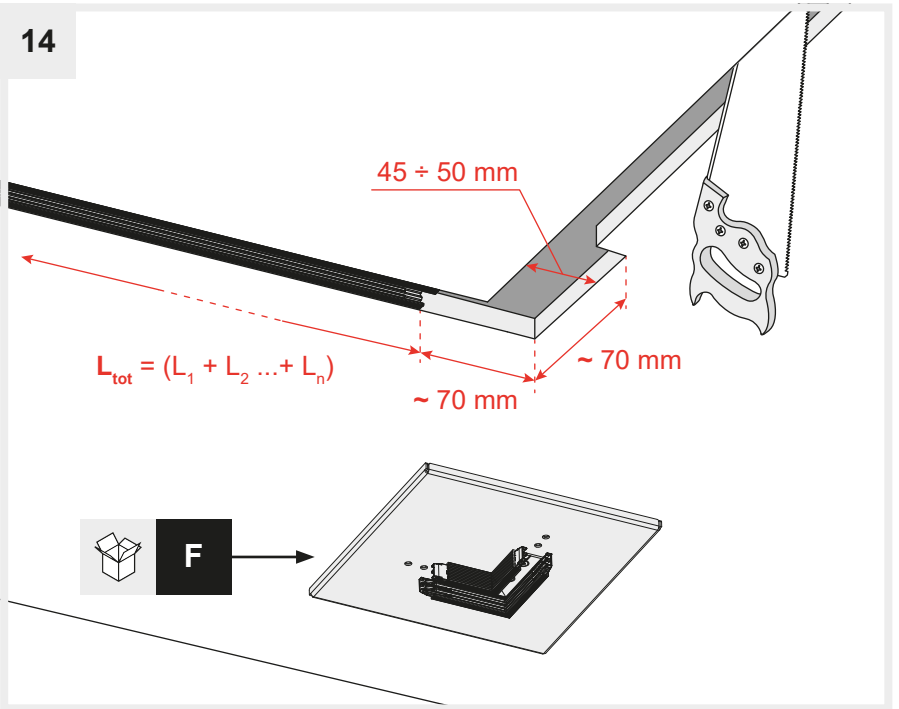




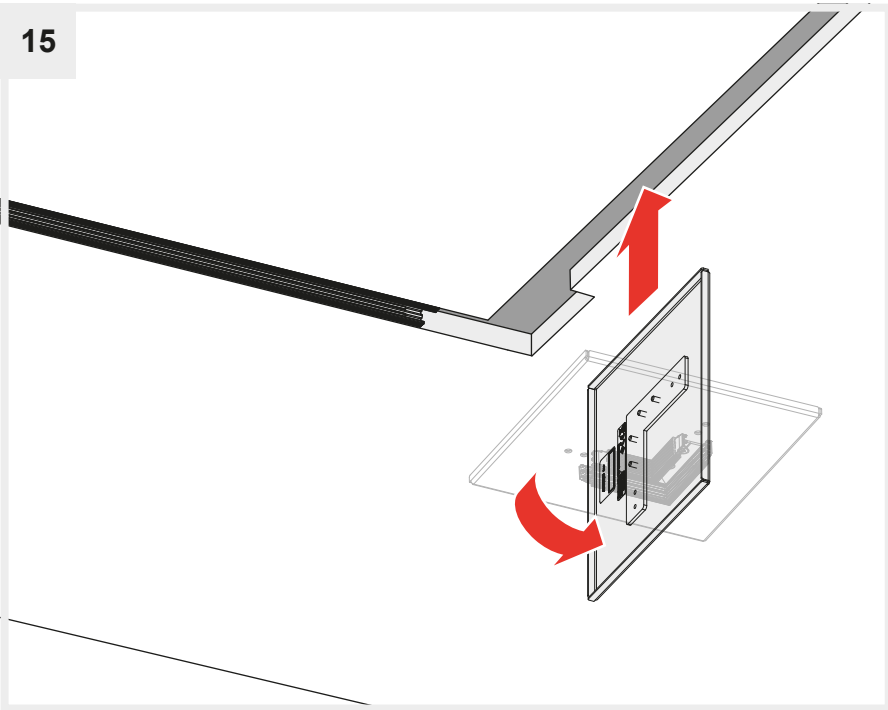
F



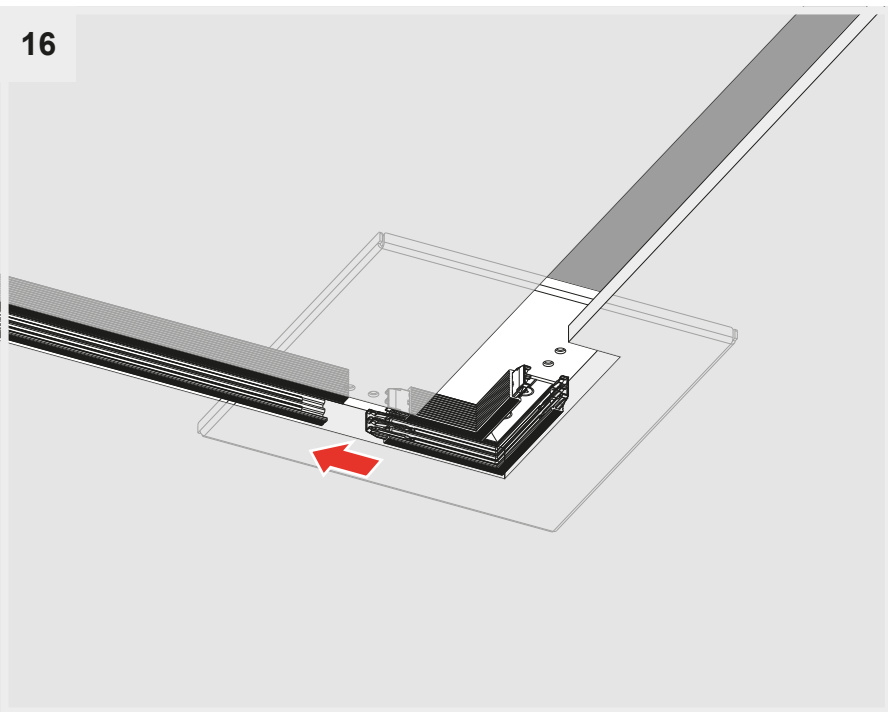
14



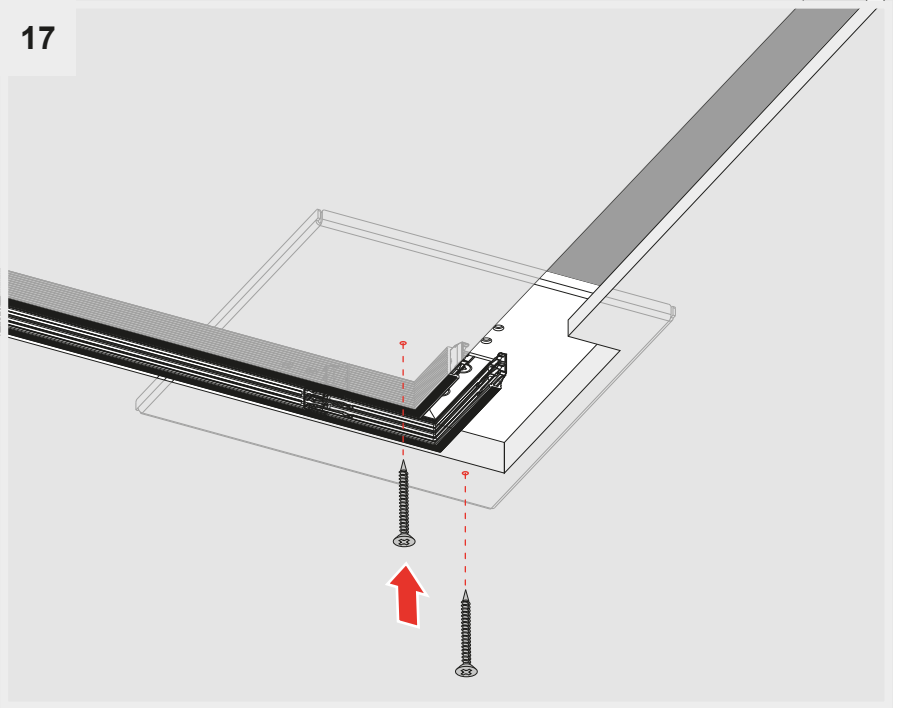
15



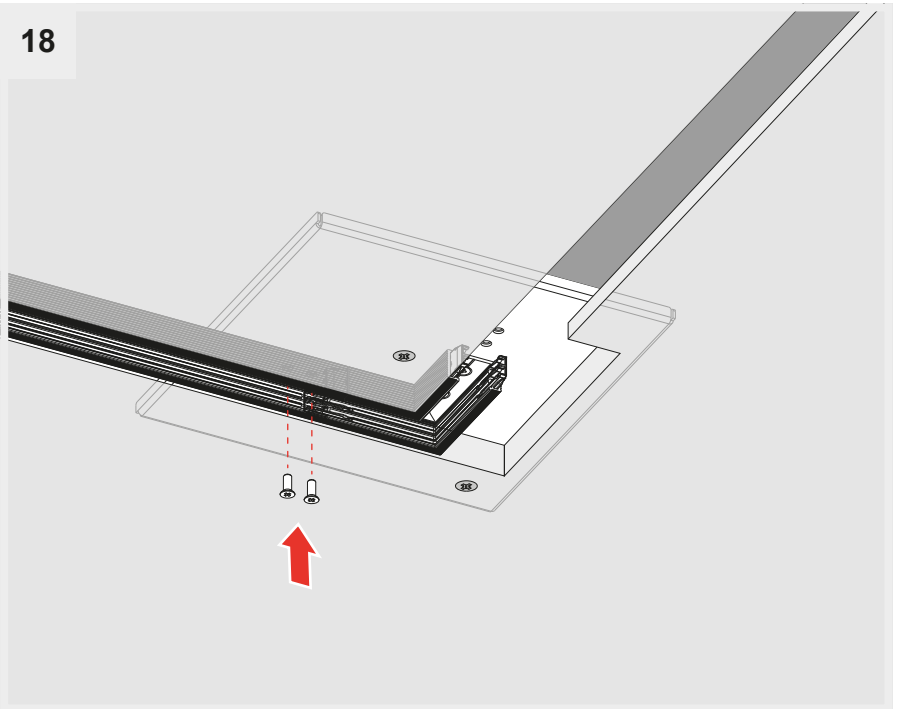
16



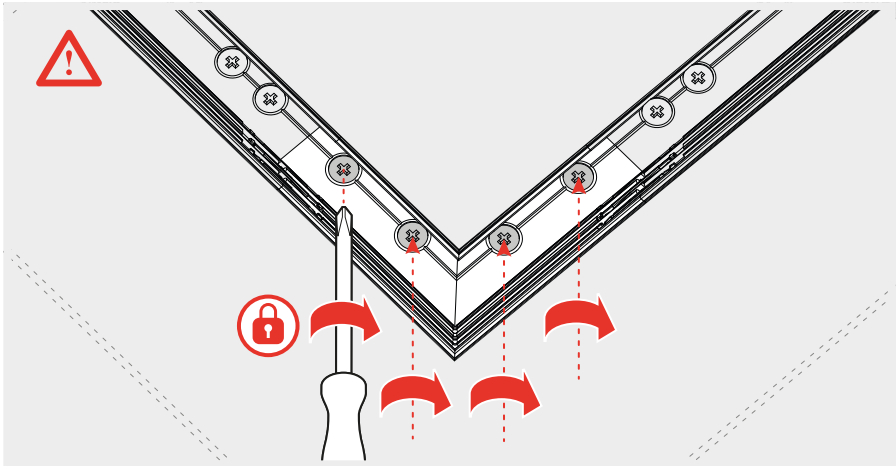
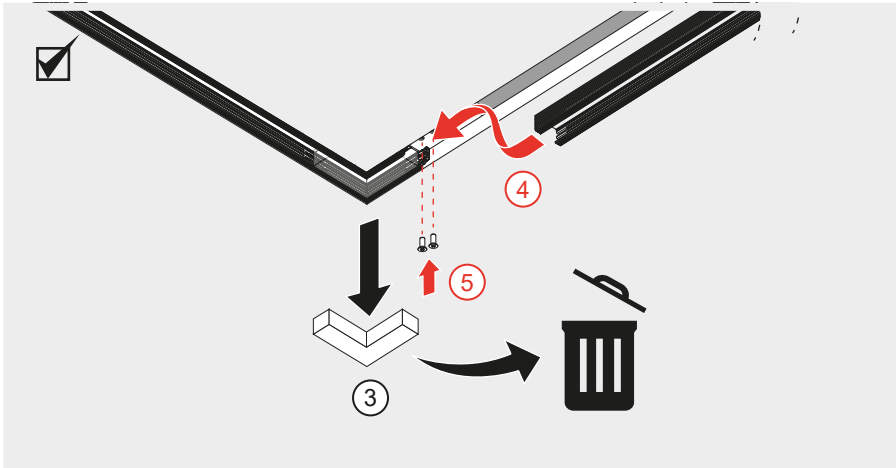
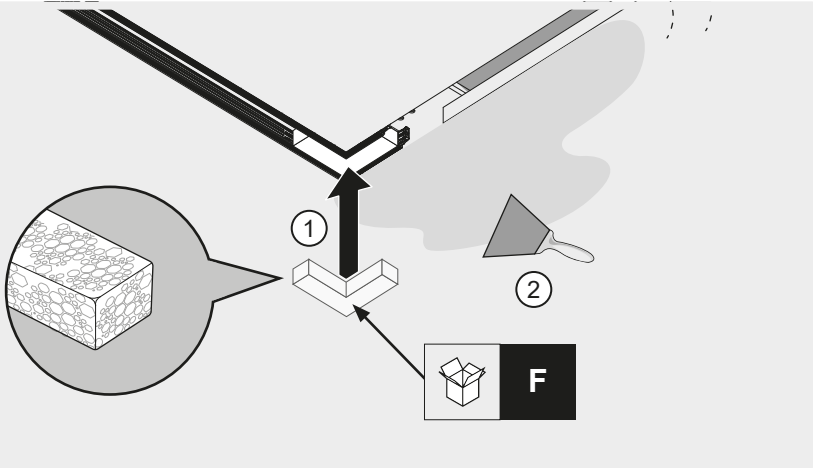
17



18



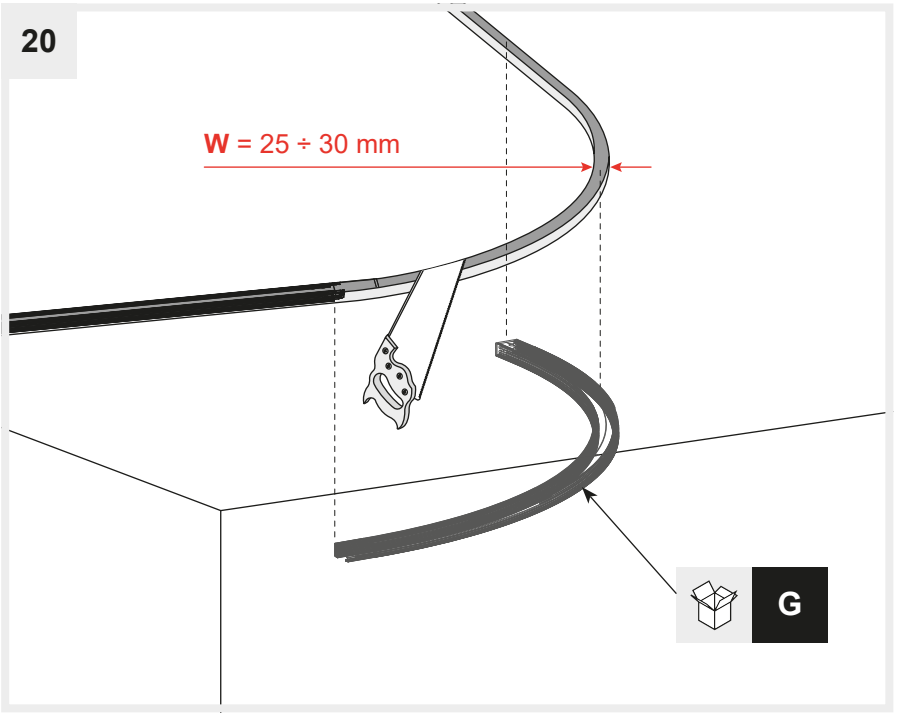
19



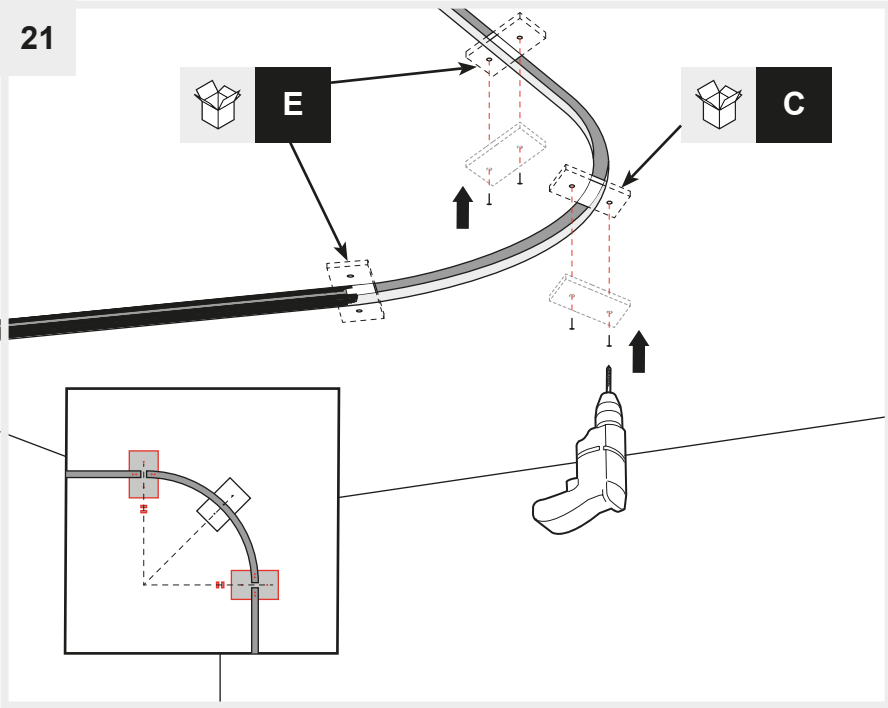


20

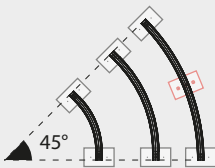
W = 25 ÷ 30 mm



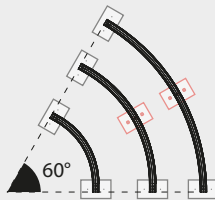
21



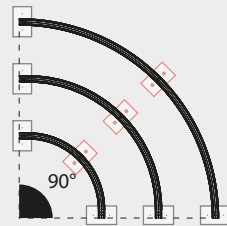
i



45° - R 300mm > TA30004
45° - R 500mm > TA30104
45° - R 700mm > TA30204

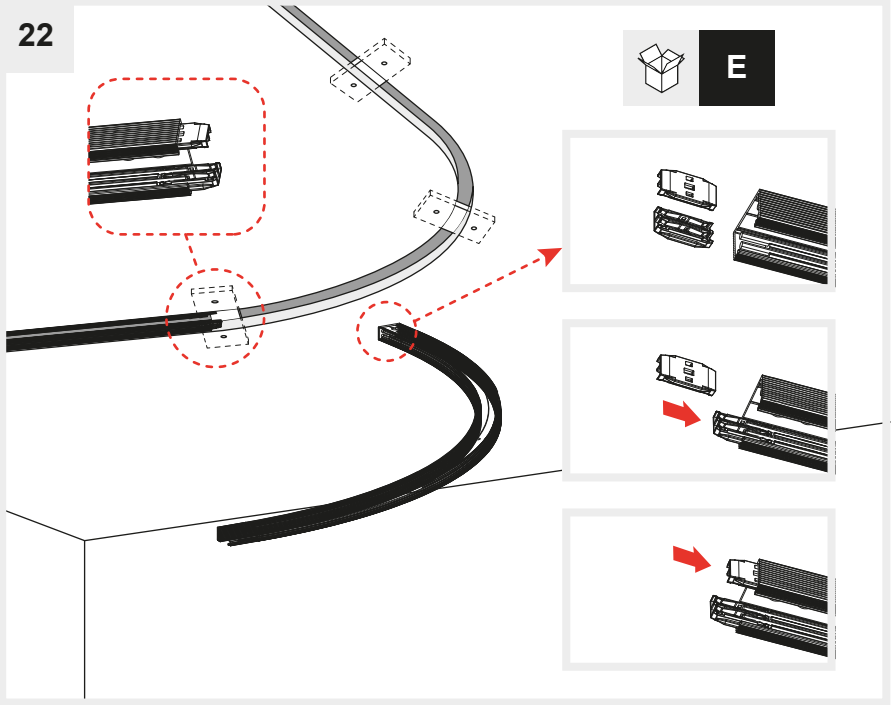


60° - R 300mm > TA30304
60° - R 500mm > TA30404
60° - R 700mm > TA30504

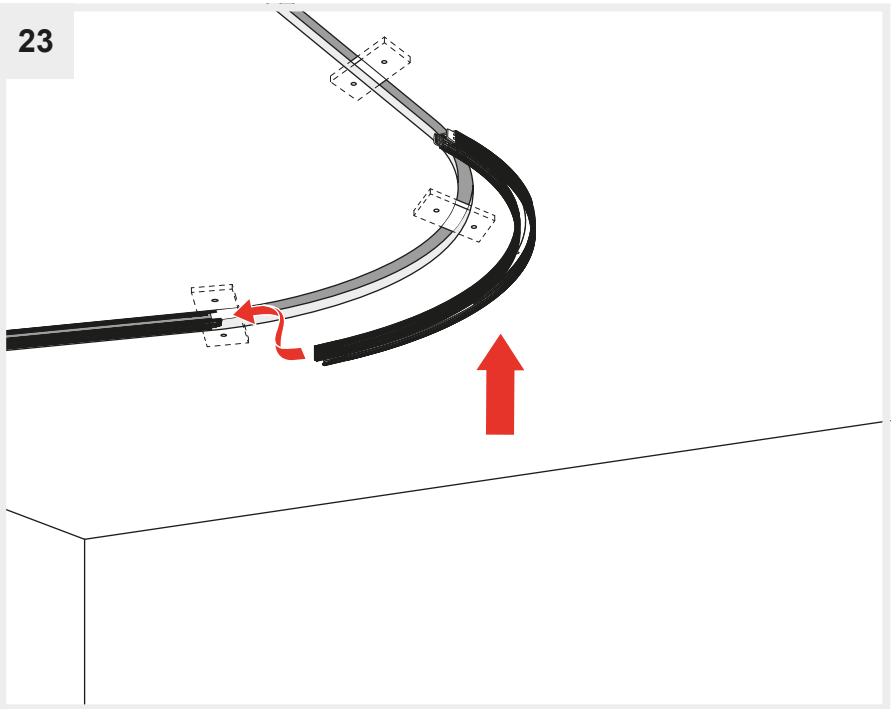


90° - R 300mm > TA30604
90° - R 500mm > TA30704
90° - R 700mm > TA30804

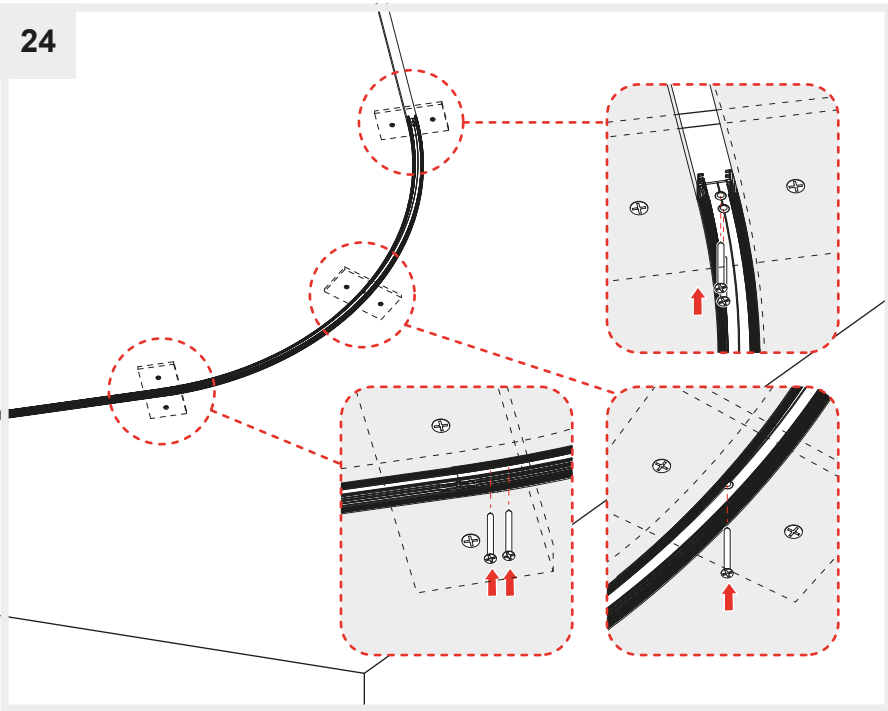
22



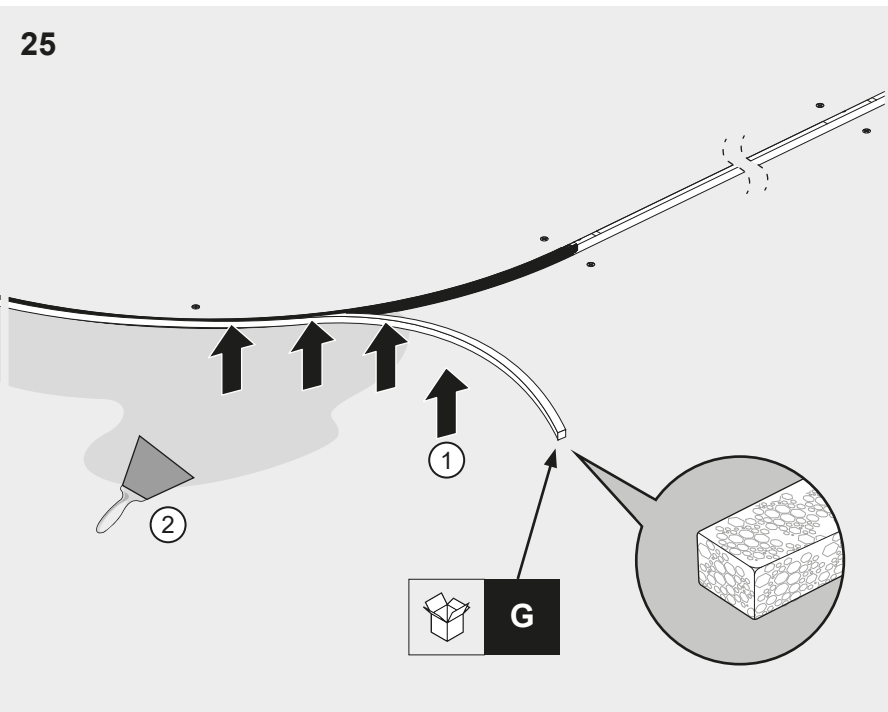
23

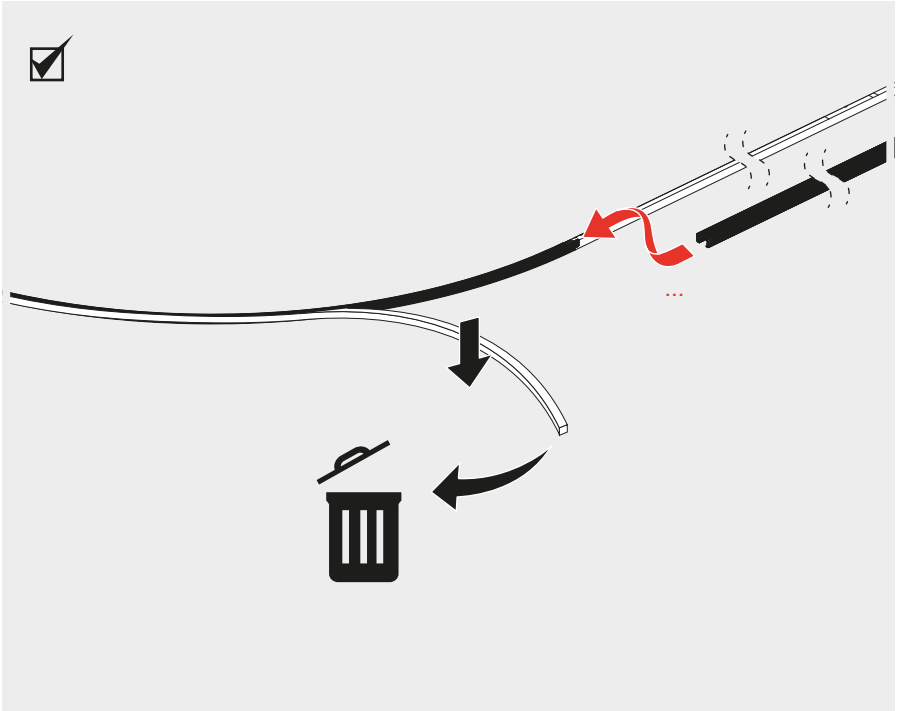


24

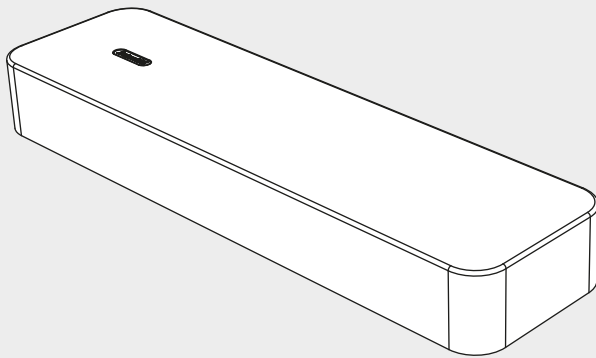


25

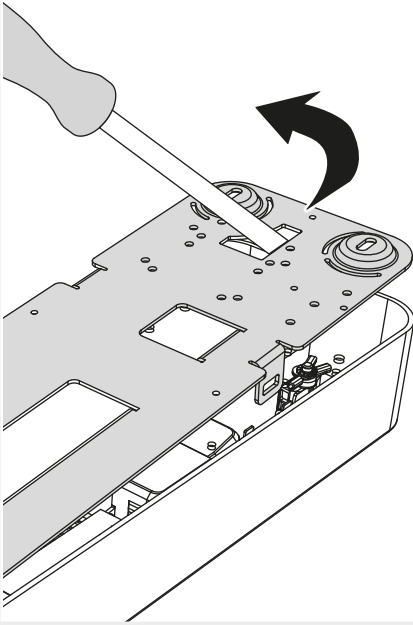




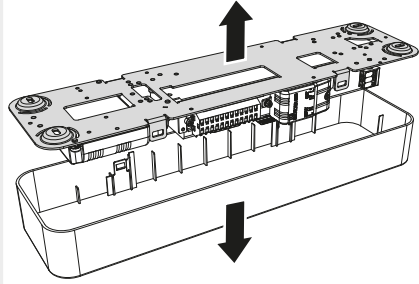
D1



26

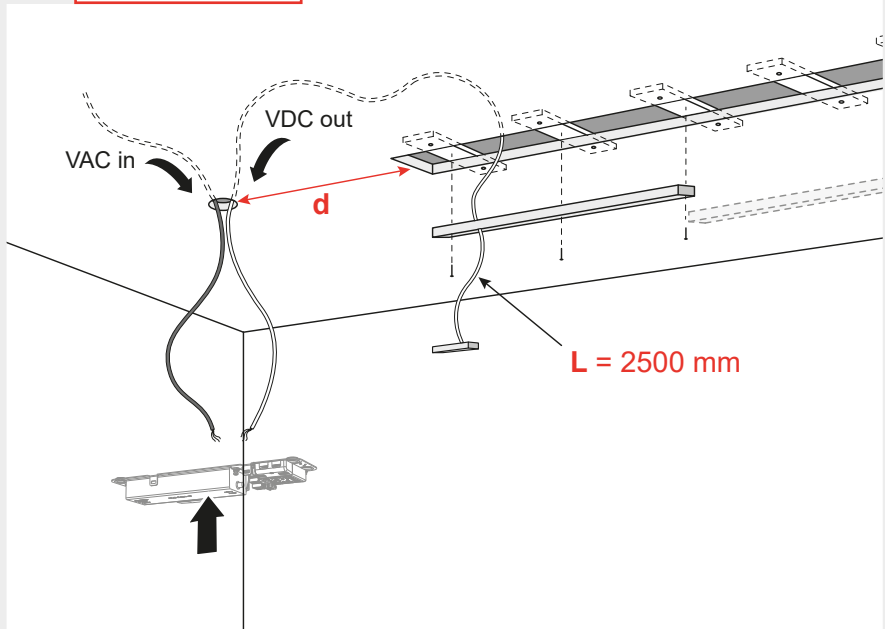


27



28

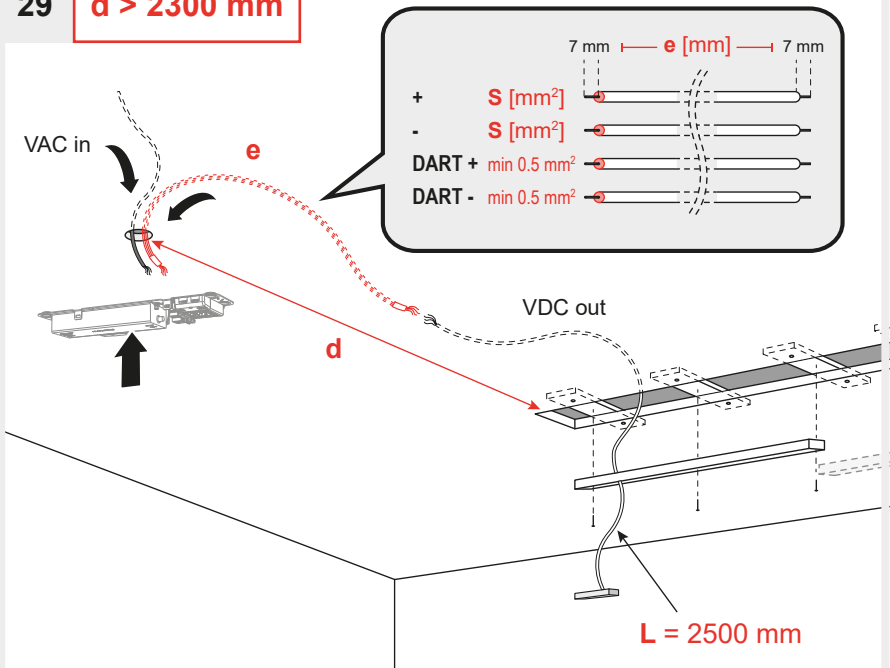
$d < 2300 \text{ mm}$



i **$d < 2300 \text{ mm}$**

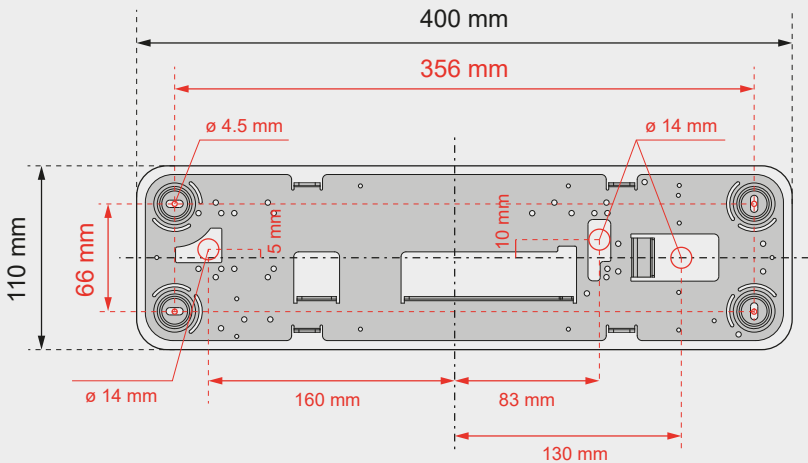
| Output Max [W] | Max configuration length powerable with standard power cable L = 2500 mm [m] |
|----------------|------------------------------------------------------------------------------|
| 125 | 97 |
| 210 | 54 |
| 270 | 42 |

| | Standard power cable colours | | | | | Cable cross section | |
|-------|------------------------------|-----------|---------|---------|---------|---------------------|--------------------|
| | EN | IT | ES | FR | DE | AWG | [mm ²] |
| DART- | Purple | Viola | Morado | Pourpre | Lila | 20 | 0.5 |
| DART+ | Orange | Arancione | Naranja | Orange | Orange | 20 | 0.5 |
| - | Black | Nero | Negro | Noir | Schwarz | 16 | 1.5 |
| + | Red | Rosso | Rojo | Rouge | Rot | 16 | 1.5 |

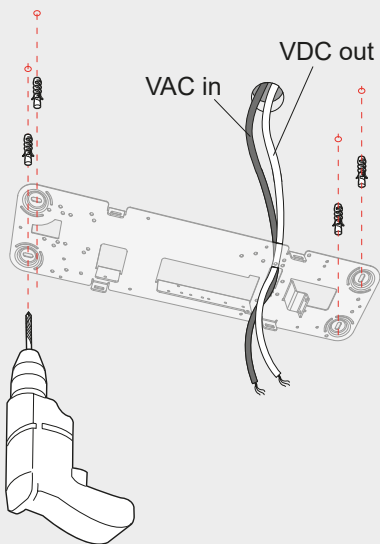
**29** **$d > 2300 \text{ mm}$** 

i**d > 2300 mm**

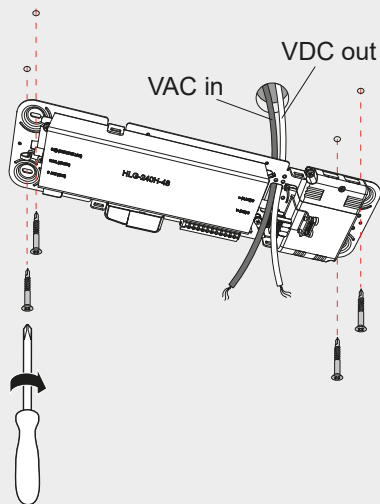
| Output Max [W] | Extension cord length e [m] | Extension cord cross section S [mm ²] | Max configuration length powerable with a cable length = e + L [m] |
|----------------|-----------------------------|---------------------------------------------------|--------------------------------------------------------------------|
| 125 | 10 | 1 | 58 |
| | 15 | 1.5 | 58 |
| | 25 | 2.5 | 58 |
| | 40 | 4 | 58 |
| 210 | 5 | 1 | 35 |
| | 10 | 1.5 | 29 |
| | 16 | 2.5 | 30 |
| | 25 | 4 | 30 |
| 270 | 5 | 1.5 | 28 |
| | 10 | 2.5 | 25 |
| | 17 | 4 | 24 |
| | 25 | 6 | 25 |









i

30



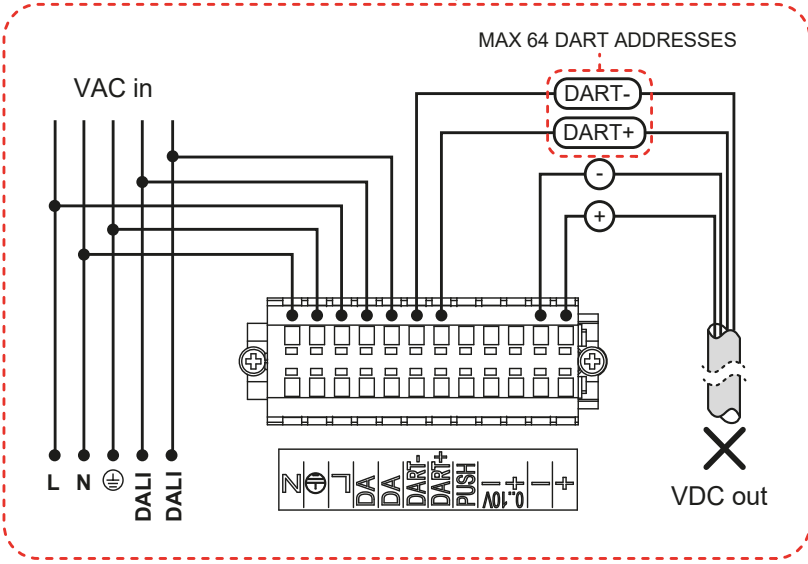
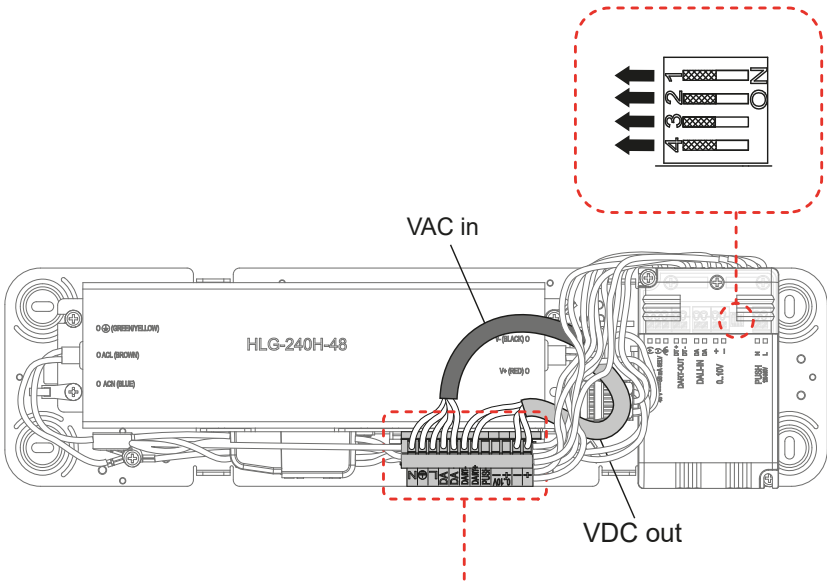
31



| | | | |
|---------|-------------------------------------------------------------------------------------|---------------|---------------------------------------------------------|
| Fig. 32 |  | DALI | Only for TA60201, TA60422, TA60601, TA60822 |
| Fig. 33 |  | 0-10V | |
| Fig. 34 |  | Potentiometer | |
| Fig. 35 |  | 1-10V | |
| Fig. 36 |  | Push | |
| Fig. 37 |  | LV Push | |
| Fig. 38 |  | On/Off | Only for TA60101, TA60322, TA60501, TA60722 |
| Fig. 39 |  | APP | Only for TA60201APP, TA60422APP, TA60601APP, TA60822APP |



Only for TA60201, TA60422, TA60601, TA60822

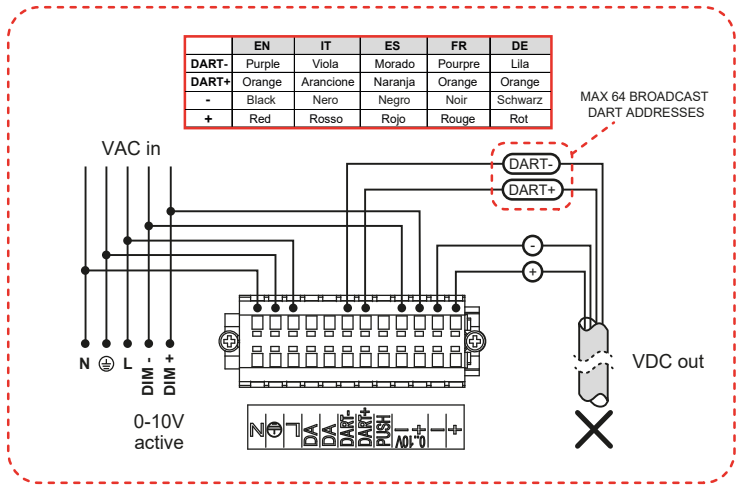
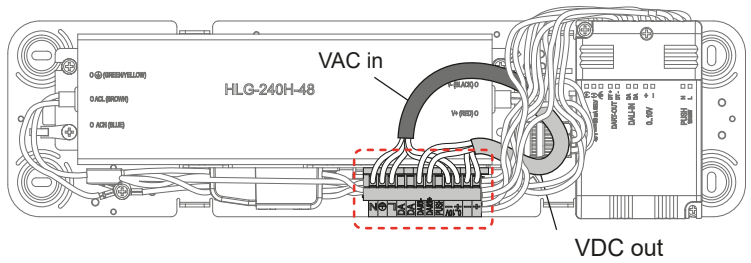
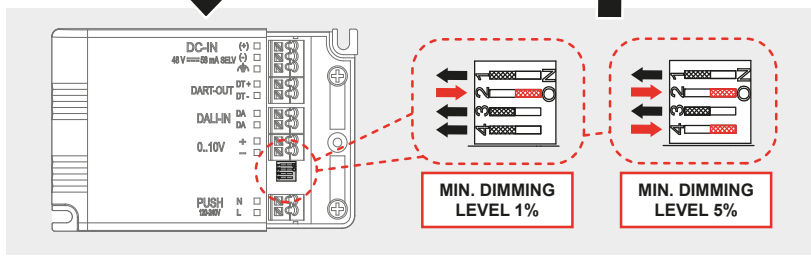
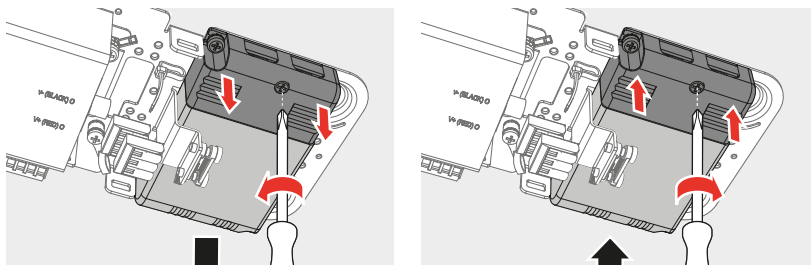


DART = DALI SELV

| | EN | IT | ES | FR | DE |
|--------------|--------|-----------|---------|---------|---------|
| DART- | Purple | Viola | Morado | Pourpre | Lila |
| DART+ | Orange | Arancione | Naranja | Orange | Orange |
| - | Black | Nero | Negro | Noir | Schwarz |
| + | Red | Rosso | Rojo | Rouge | Rot |

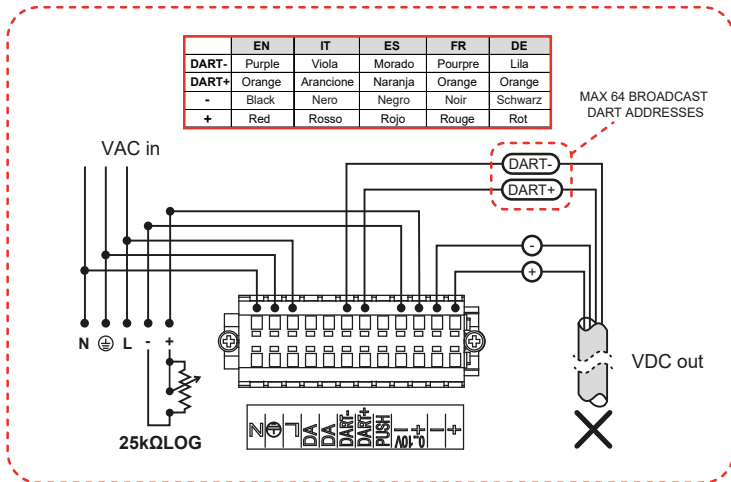
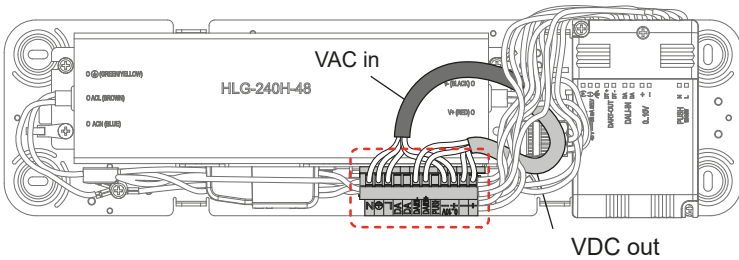
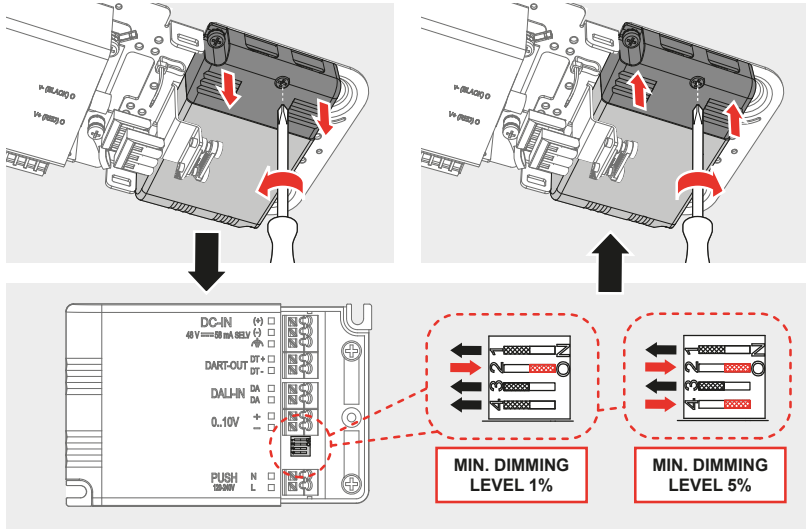


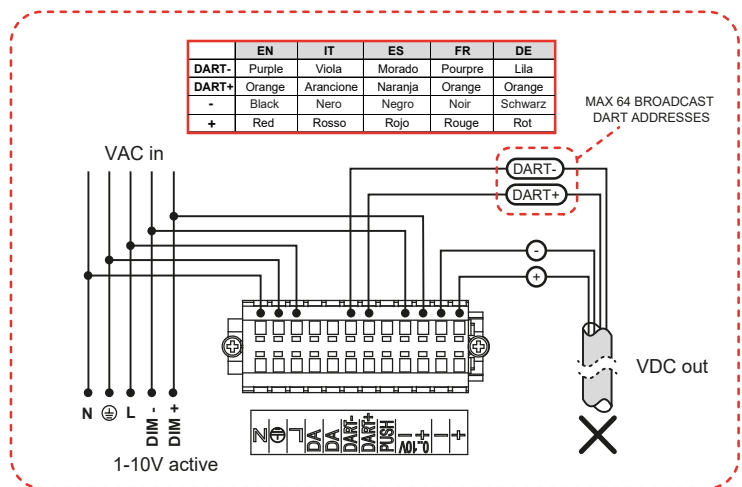
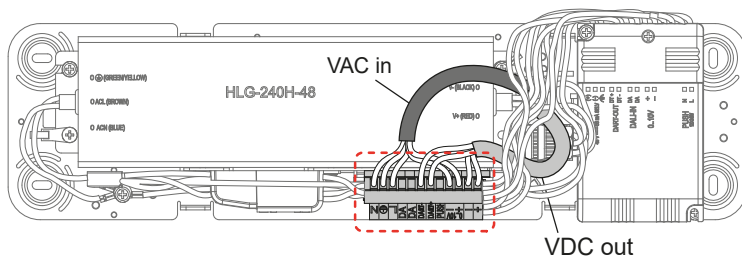
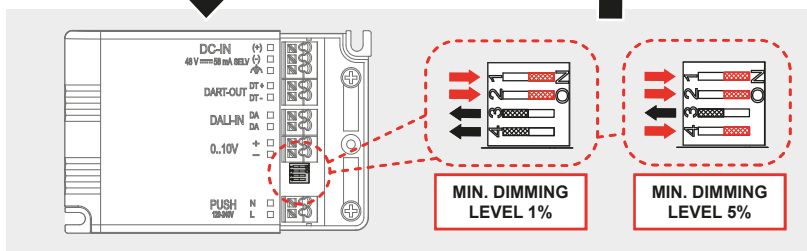
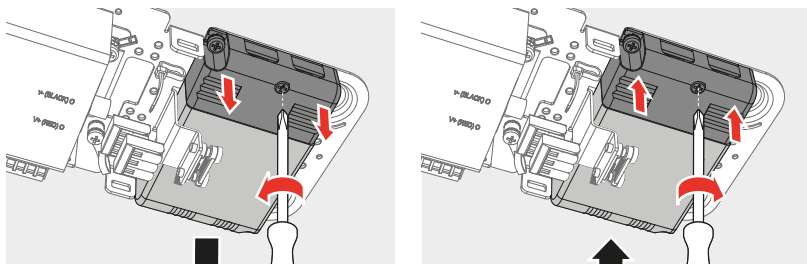
Only for TA60201, TA60422, TA60601, TA60822





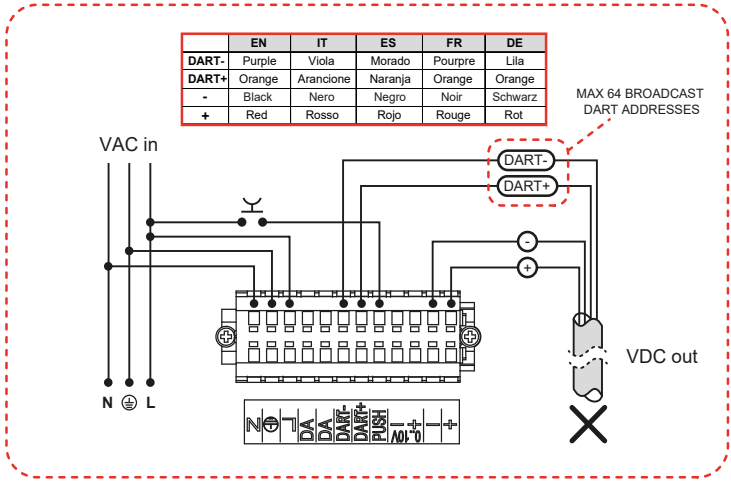
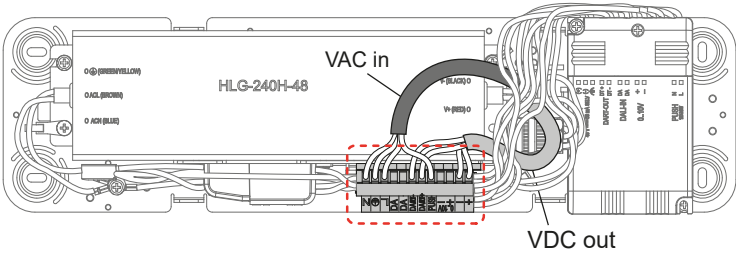
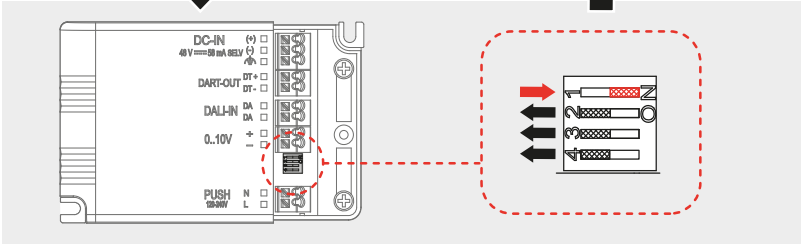
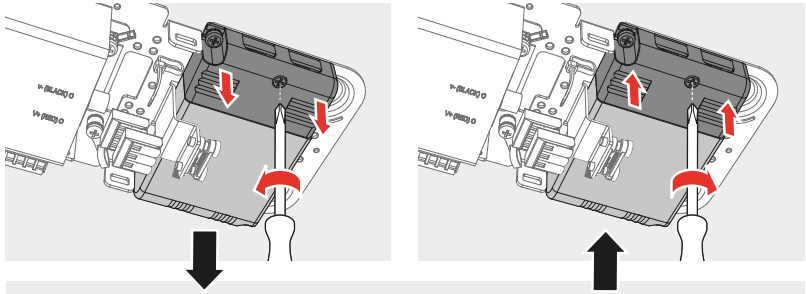
Only for TA60201, TA60422, TA60601, TA60822

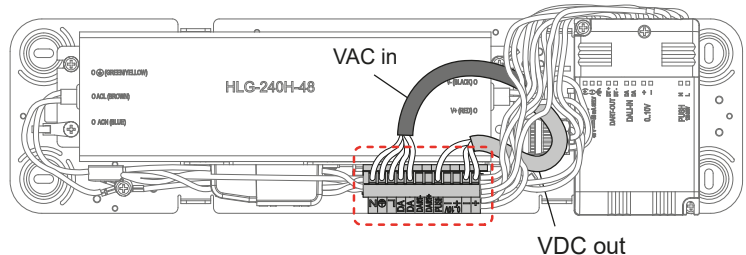
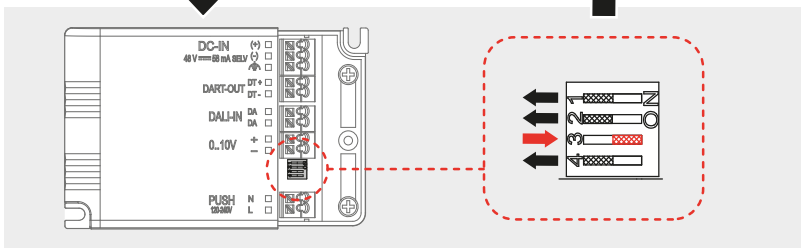
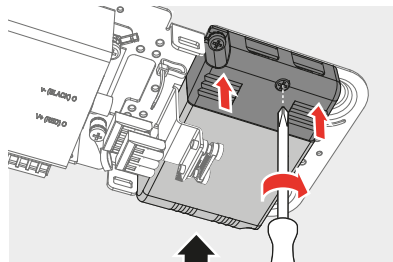
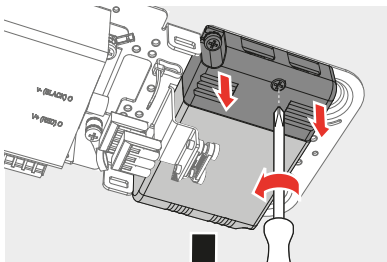






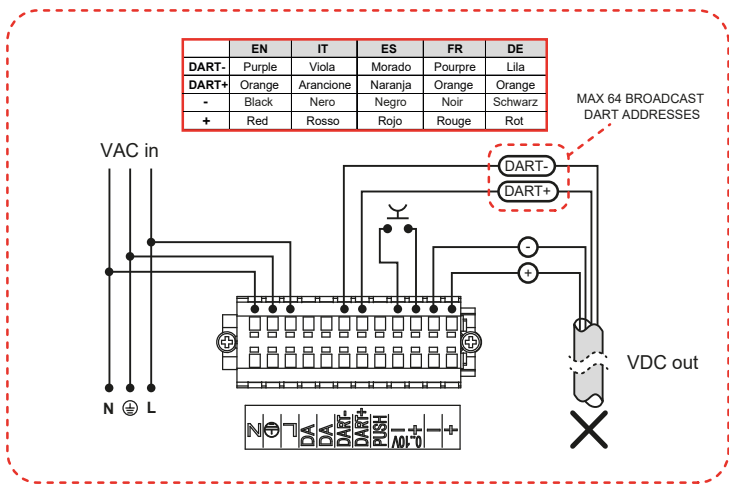
Only for TA60201, TA60422, TA60601, TA60822





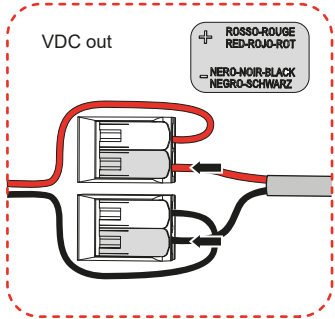
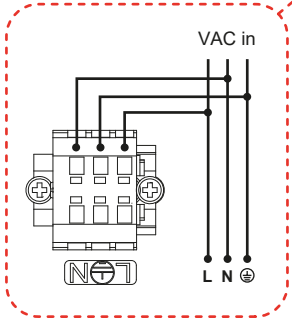
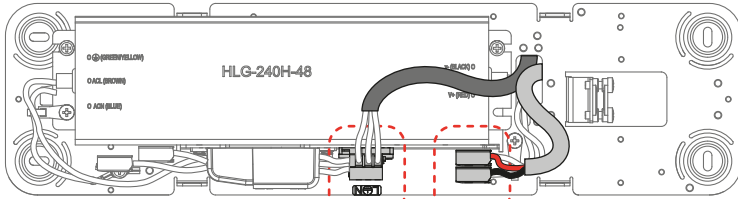
| | EN | IT | ES | FR | DE |
|-------|--------|-----------|---------|---------|---------|
| DART- | Purple | Viola | Morado | Pourpre | Lila |
| DART+ | Orange | Arancione | Naranja | Orange | Orange |
| - | Black | Nero | Negro | Noir | Schwarz |
| + | Red | Rosso | Rojo | Rouge | Rot |

MAX 64 BROADCAST DART ADDRESSES

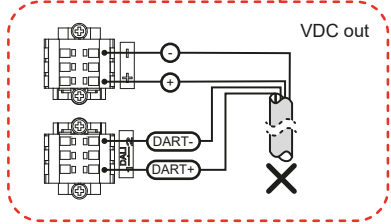
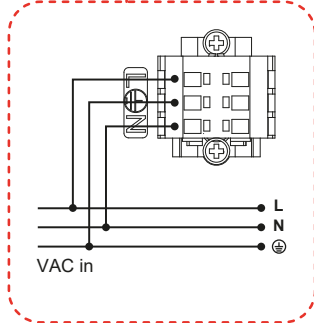
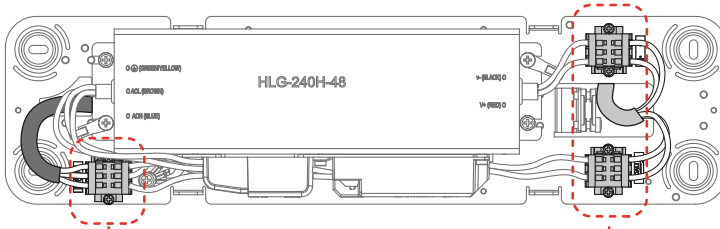




Only for TA60101, TA60322, TA60501, TA60722

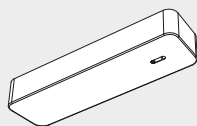
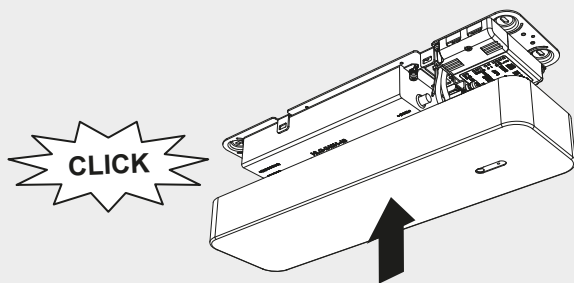


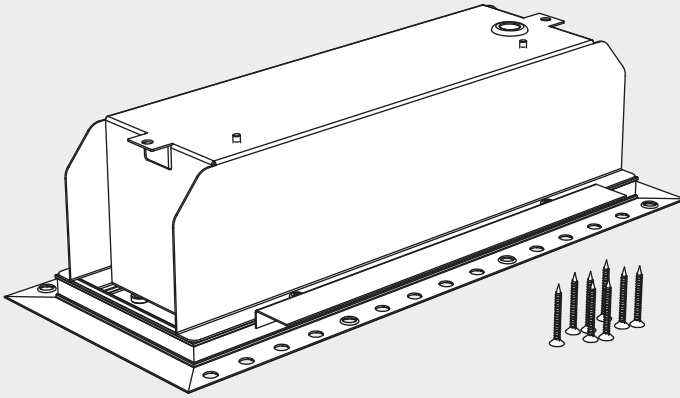
Only for TA60201APP, TA60422APP, TA60601APP, TA60822APP



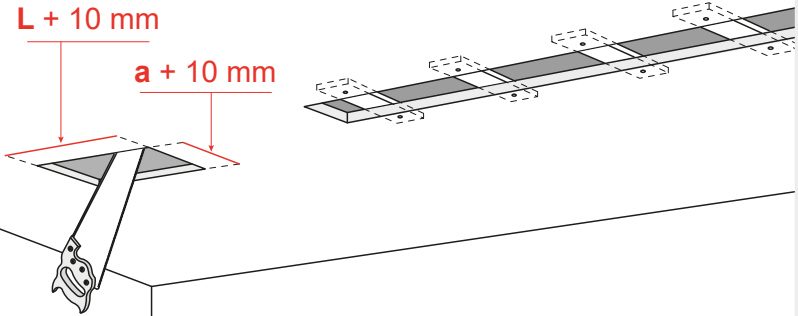
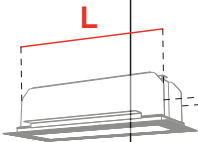
| | EN | IT | ES | FR | DE |
|-------|--------|-----------|---------|---------|---------|
| DART- | Purple | Viola | Morado | Pourpre | Lila |
| DART+ | Orange | Arancione | Naranja | Orange | Orange |
| - | Black | Nero | Negro | Noir | Schwarz |
| + | Red | Rosso | Rojo | Rouge | Rot |

40

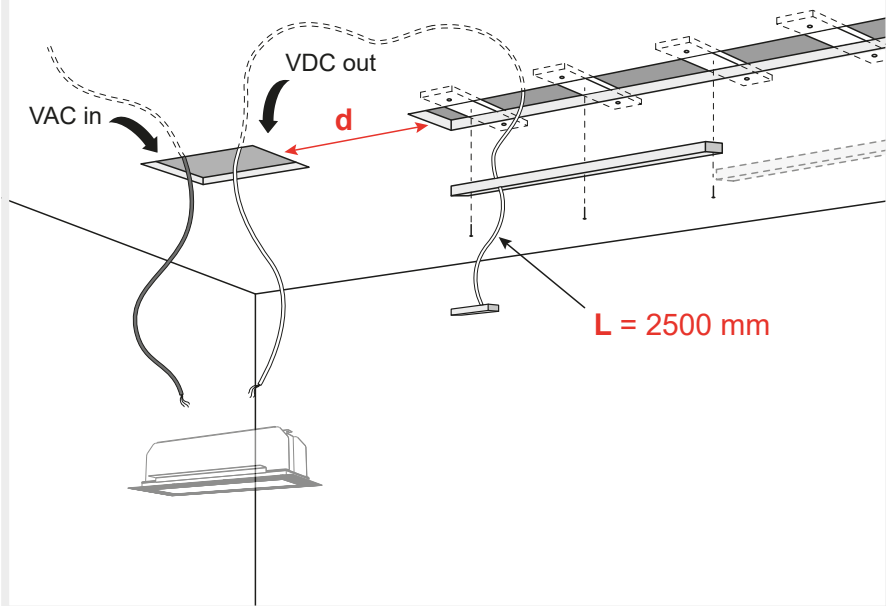




41

 $L + 10 \text{ mm}$ $a + 10 \text{ mm}$  L a 

42

d < 2300 mm**i****d < 2300 mm**

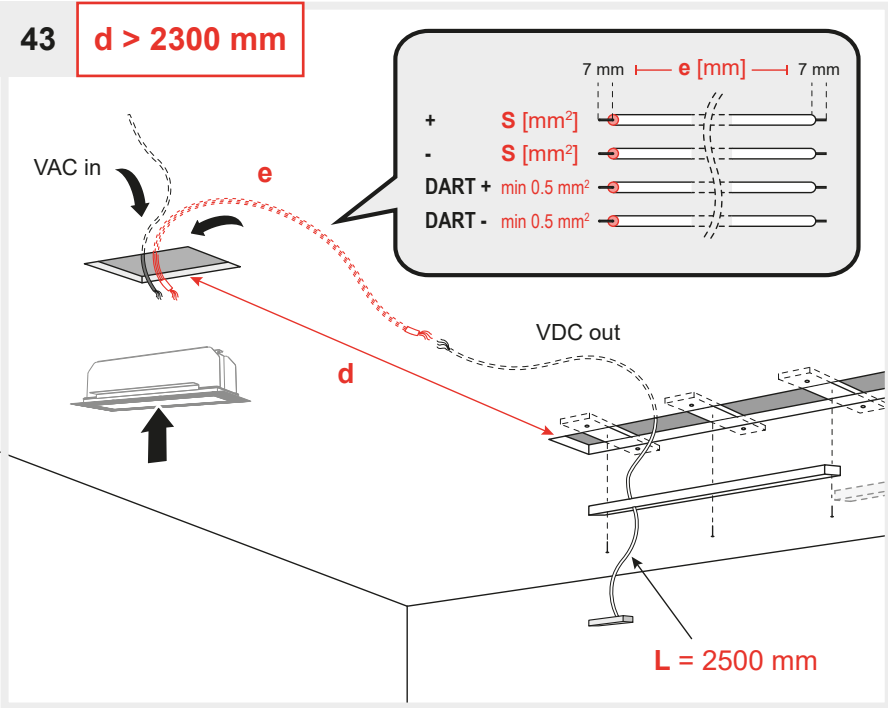
| Output Max [W] | Max configuration length powerable with standard power cable L = 2500 mm [m] |
|----------------|------------------------------------------------------------------------------|
| 125 | 97 |
| 210 | 54 |
| 270 | 42 |

| | Standard power cable colours | | | | | Cable cross section | |
|-------|------------------------------|-----------|---------|---------|---------|---------------------|--------------------|
| | EN | IT | ES | FR | DE | AWG | [mm ²] |
| DART- | Purple | Viola | Morado | Pourpre | Lila | 20 | 0.5 |
| DART+ | Orange | Arancione | Naranja | Orange | Orange | 20 | 0.5 |
| - | Black | Nero | Negro | Noir | Schwarz | 16 | 1.5 |
| + | Red | Rosso | Rojo | Rouge | Rot | 16 | 1.5 |



43

d > 2300 mm

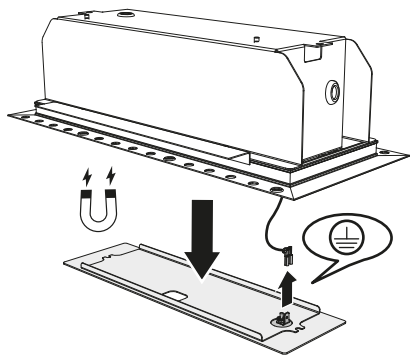


i

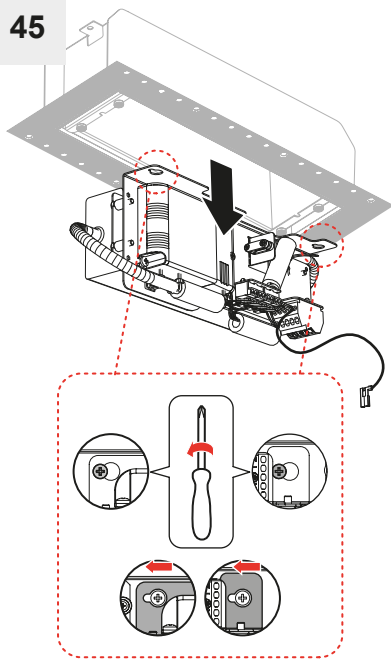
d > 2300 mm

| Output Max [W] | Extension cord length e [m] | Extension cord cross section S [mm ²] | Max configuration length powerable with a cable length = $e + L$ [m] |
|----------------|-------------------------------|-----------------------------------------------------|----------------------------------------------------------------------|
| 125 | 10 | 1 | 58 |
| | 15 | 1.5 | 58 |
| | 25 | 2.5 | 58 |
| | 40 | 4 | 58 |
| 210 | 5 | 1 | 35 |
| | 10 | 1.5 | 29 |
| | 16 | 2.5 | 30 |
| | 25 | 4 | 30 |
| 270 | 5 | 1.5 | 28 |
| | 10 | 2.5 | 25 |
| | 17 | 4 | 24 |
| | 25 | 6 | 25 |

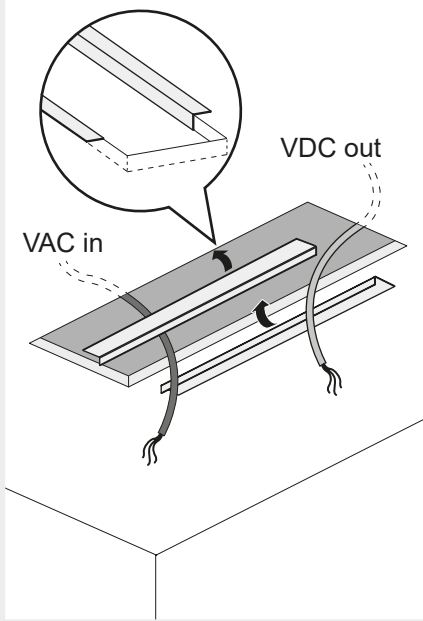
44



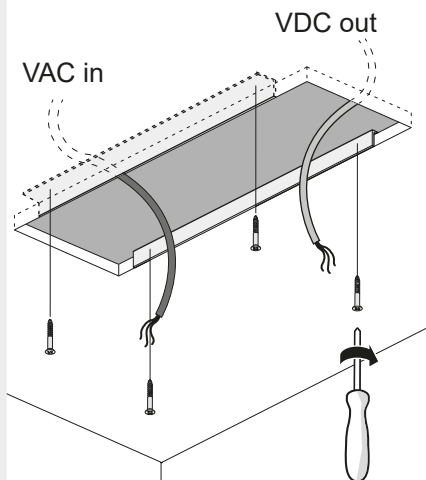
45



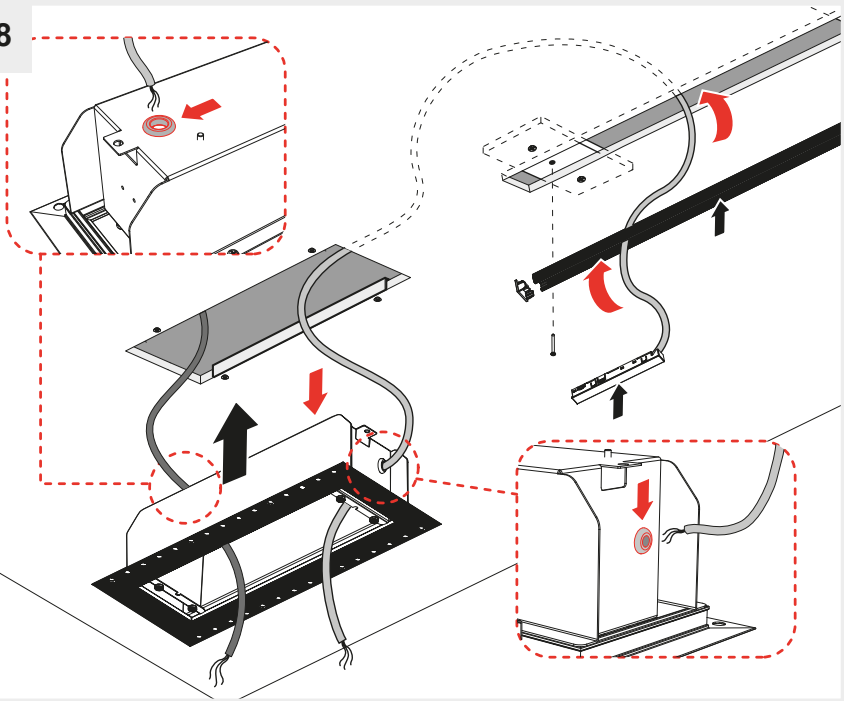
46



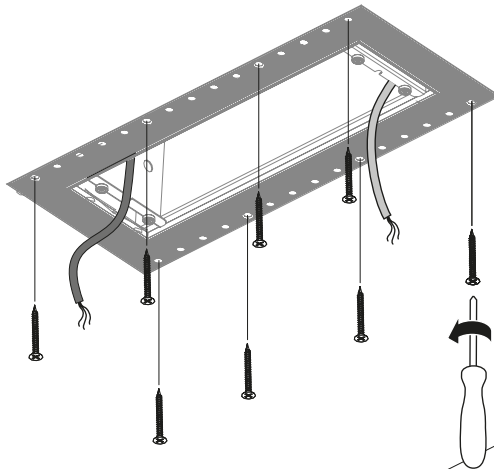
47



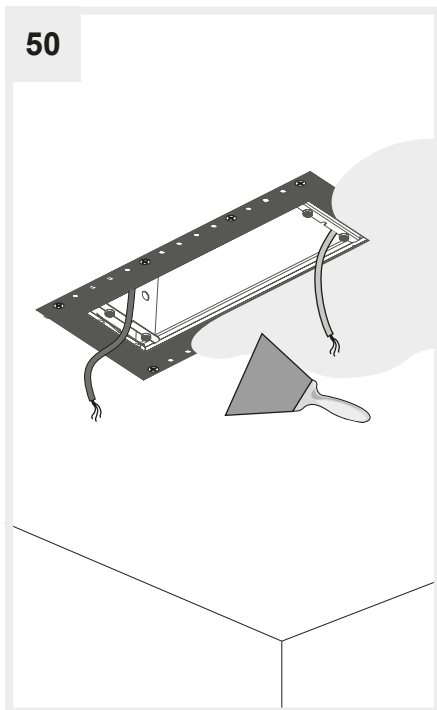
48



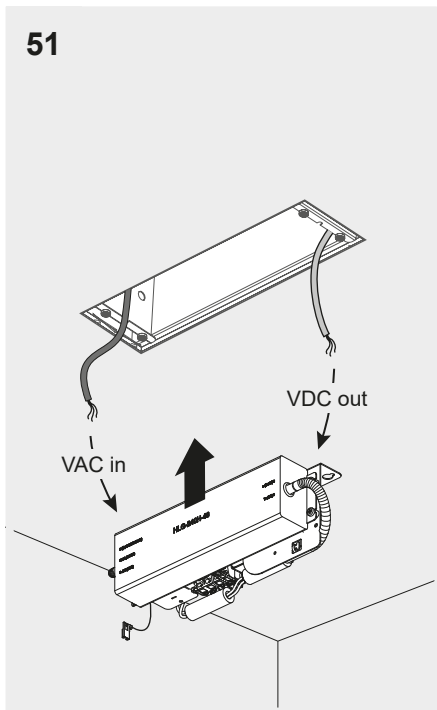
49






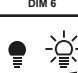




50



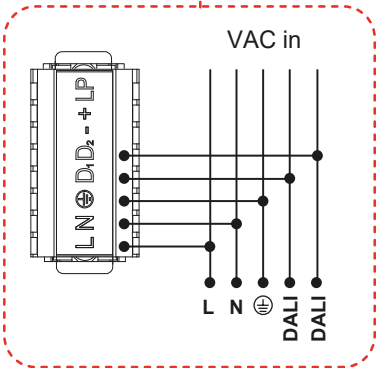
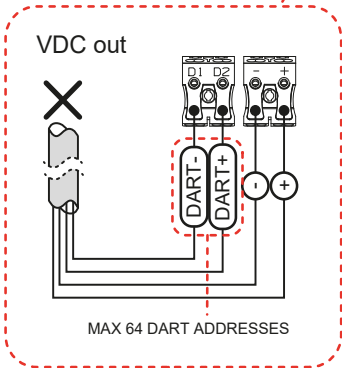
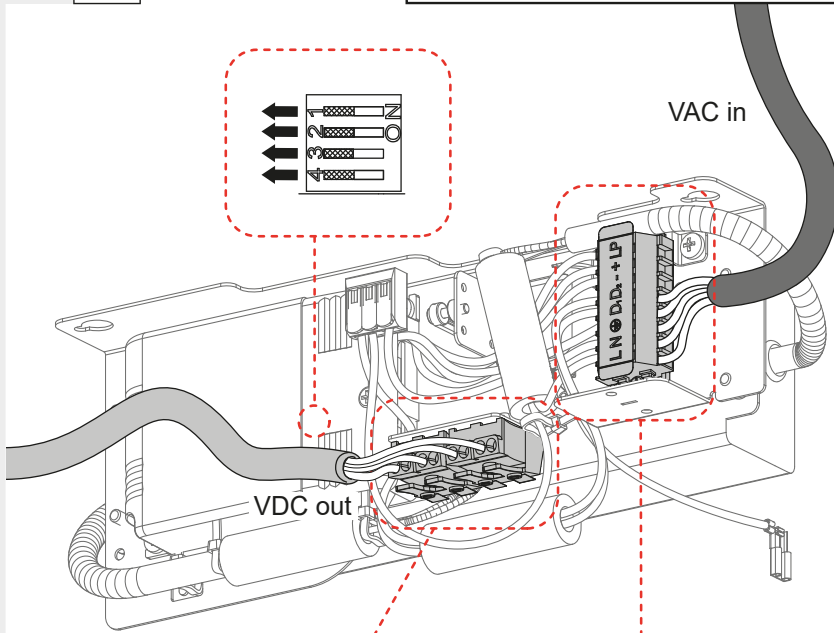
51



| | | |
|----------------------------------------------------------------------------------------------------|----------------------|----------------------------------------------------|
| <p>Fig. 52</p>  | <p>DALI</p> | <p>Only for TA61801, TA62001, TA66101</p> |
| <p>Fig. 53</p>  | <p>0-10V</p> | |
| <p>Fig. 54</p>  | <p>Potentiometer</p> | |
| <p>Fig. 55</p>  | <p>1-10V</p> | |
| <p>Fig. 56</p>  | <p>Push</p> | |
| <p>Fig. 57</p>  | <p>LV Push</p> | |
| <p>Fig. 58</p>  | <p>On/Off</p> | <p>Only for TA61701, TA61901, TA66001</p> |
| <p>Fig. 59</p>  | <p>APP</p> | <p>Only for TA61801APP, TA62001APP, TA66101APP</p> |



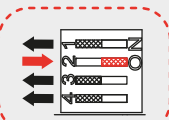
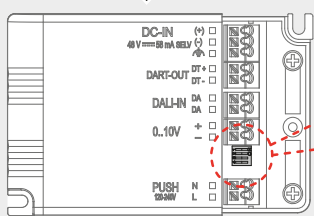
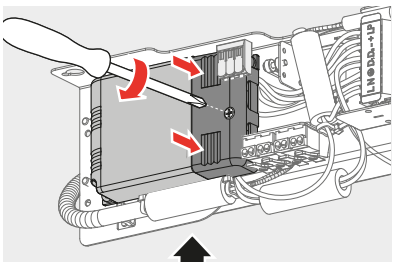
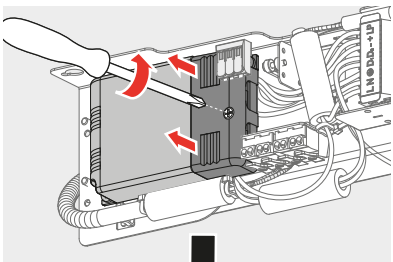
Only for TA61801, TA62001, TA66101



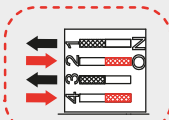
| | EN | IT | ES | FR | DE |
|--------------|--------|-----------|---------|---------|---------|
| DART- | Purple | Viola | Morado | Pourpre | Lila |
| DART+ | Orange | Arancione | Naranja | Orange | Orange |
| - | Black | Nero | Negro | Noir | Schwarz |
| + | Red | Rosso | Rojo | Rouge | Rot |



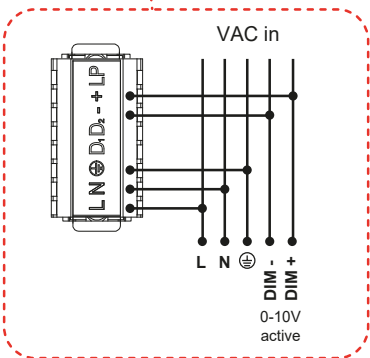
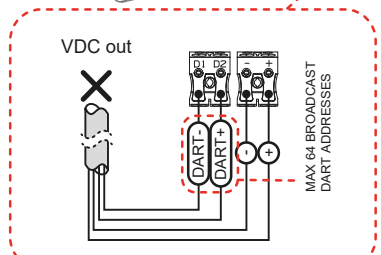
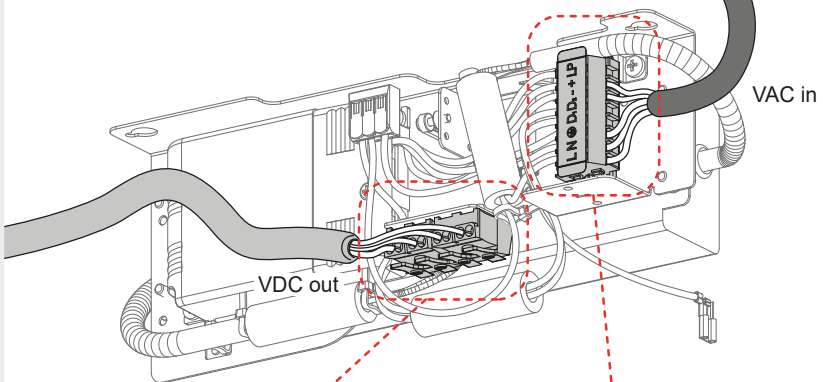
DART = DALI SELV



MIN. DIMMING LEVEL 1%



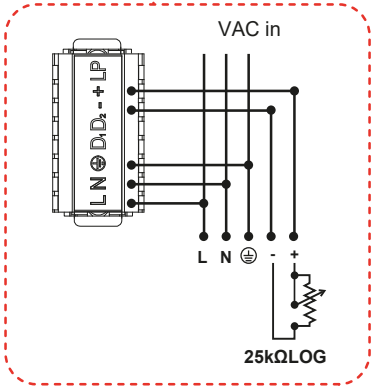
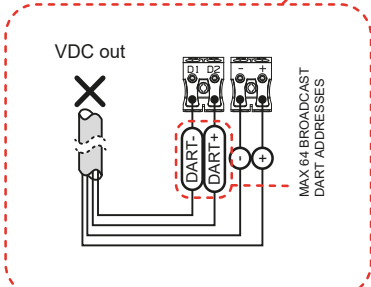
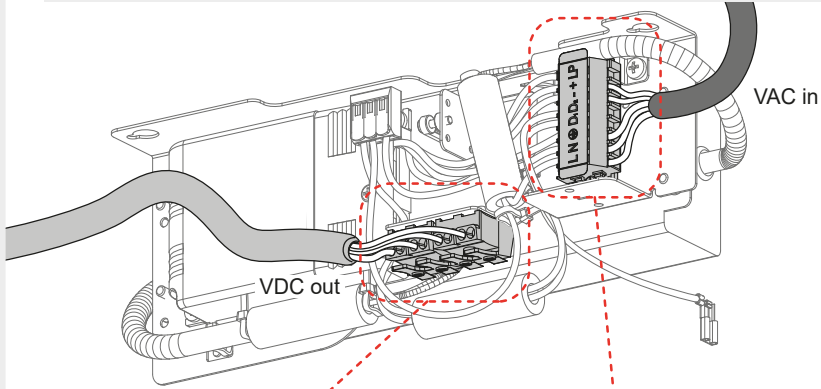
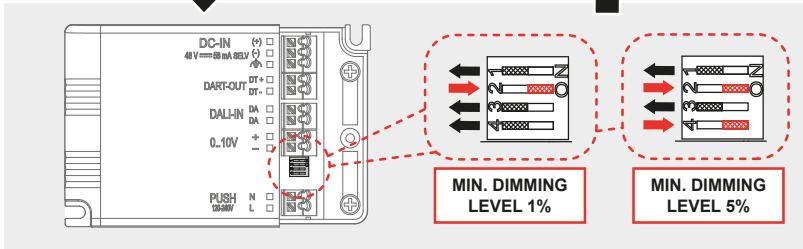
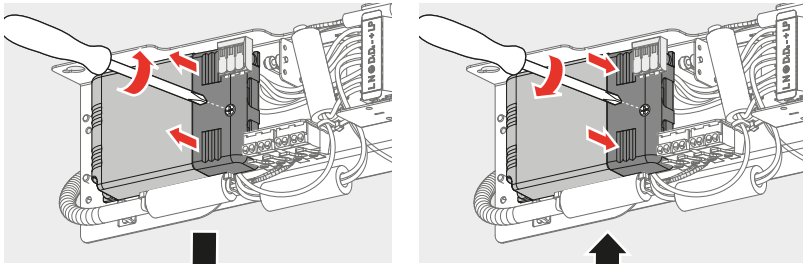
MIN. DIMMING LEVEL 5%



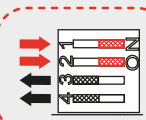
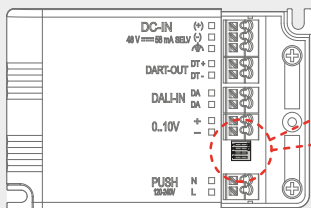
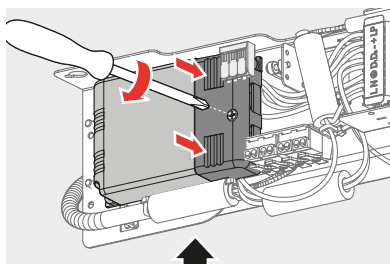
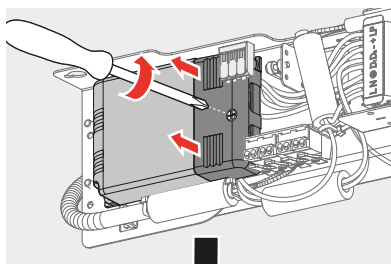
| | EN | IT | ES | FR | DE |
|-------|--------|-----------|---------|---------|---------|
| DART- | Purple | Viola | Morado | Pourpre | Lila |
| DART+ | Orange | Arancione | Naranja | Orange | Orange |
| - | Black | Nero | Negro | Noir | Schwarz |
| + | Red | Rosso | Rojo | Rouge | Rot |



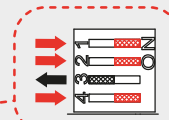
Only for TA61801, TA62001, TA66101



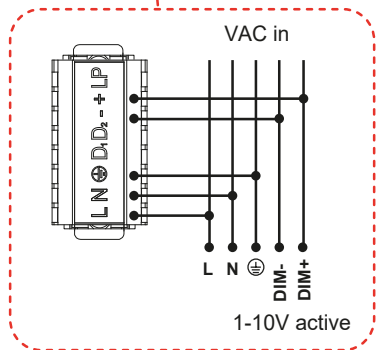
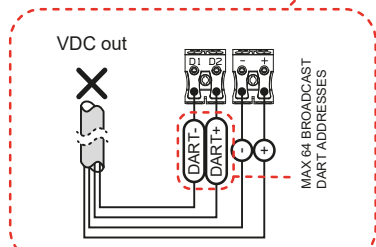
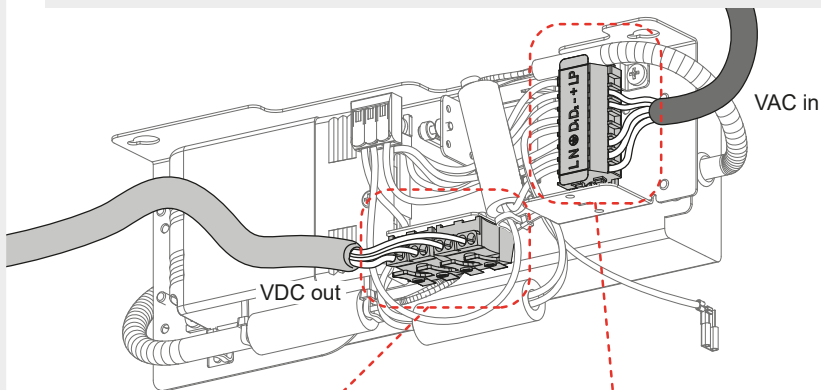
| | EN | IT | ES | FR | DE |
|-------|--------|-----------|---------|---------|---------|
| DART- | Purple | Viola | Morado | Pourpre | Lila |
| DART+ | Orange | Arancione | Naranja | Orange | Orange |
| - | Black | Nero | Negro | Noir | Schwarz |
| + | Red | Rosso | Rojo | Rouge | Rot |



MIN. DIMMING LEVEL 1%



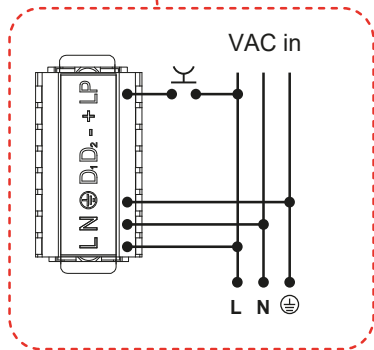
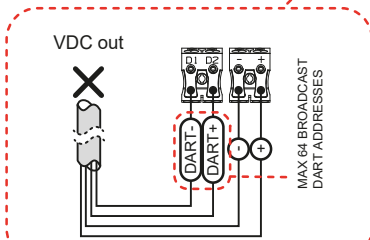
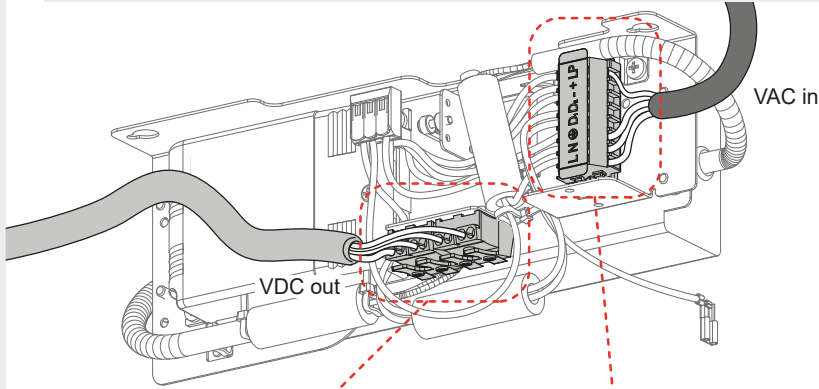
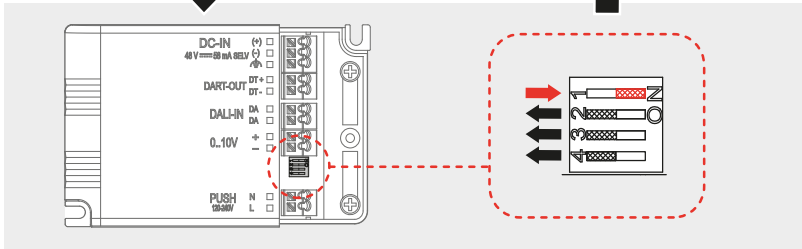
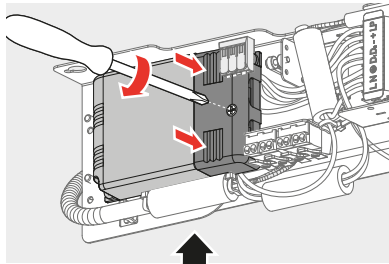
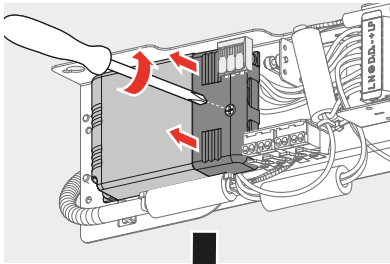
MIN. DIMMING LEVEL 5%



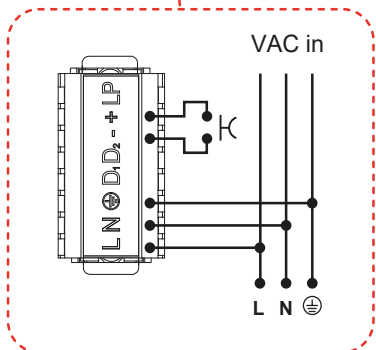
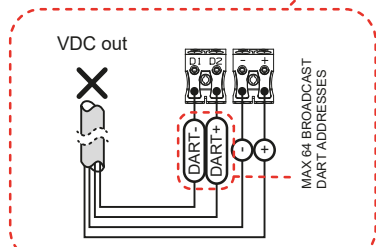
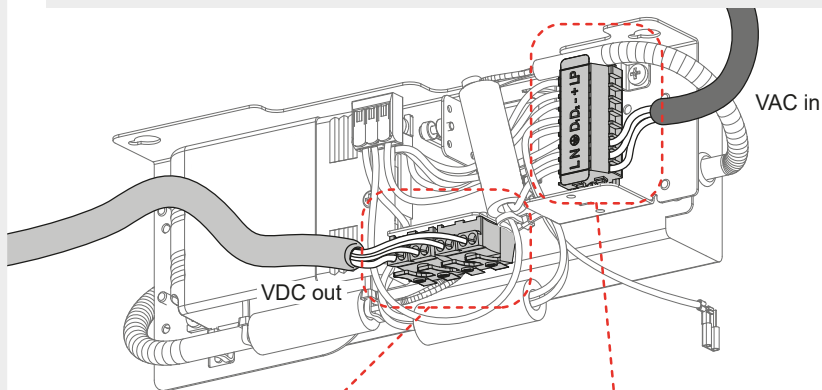
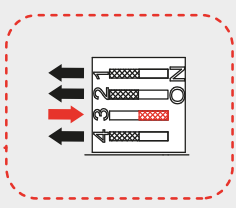
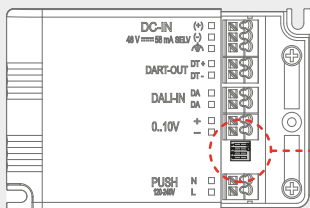
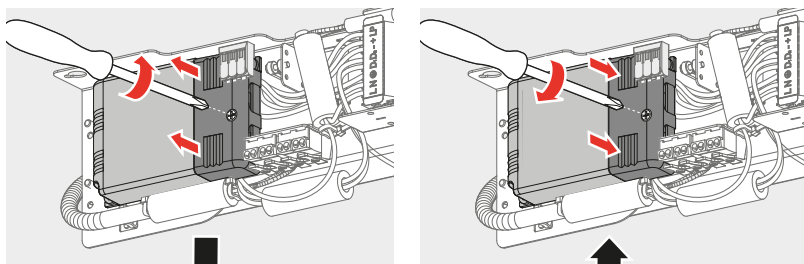
| | EN | IT | ES | FR | DE |
|-------|--------|-----------|---------|---------|---------|
| DART- | Purple | Viola | Morado | Pourpre | Lila |
| DART+ | Orange | Arancione | Naranja | Orange | Orange |
| - | Black | Nero | Negro | Noir | Schwarz |
| + | Red | Rosso | Rojo | Rouge | Rot |



Only for TA61801, TA62001, TA66101



| | EN | IT | ES | FR | DE |
|-------|--------|-----------|---------|---------|---------|
| DART- | Purple | Viola | Morado | Pourpre | Lila |
| DART+ | Orange | Arancione | Naranja | Orange | Orange |
| - | Black | Nero | Negro | Noir | Schwarz |
| + | Red | Rosso | Rojo | Rouge | Rot |

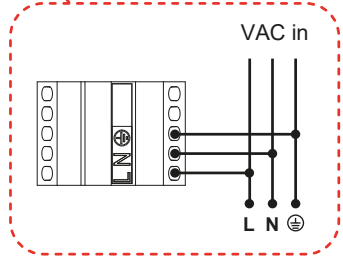
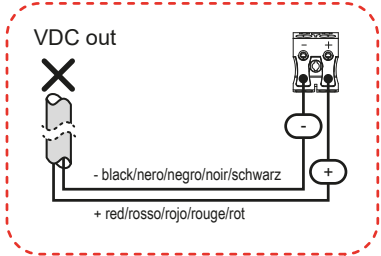
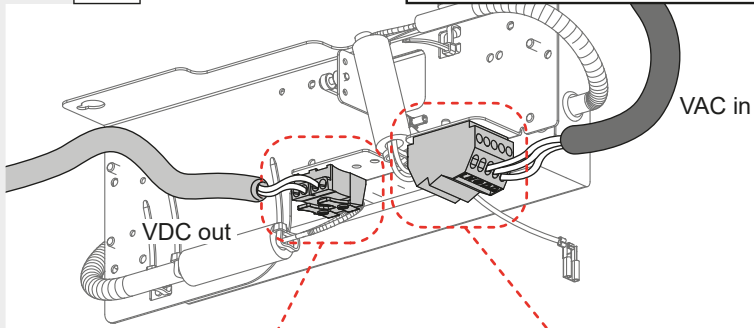


| | EN | IT | ES | FR | DE |
|-------|--------|-----------|---------|---------|---------|
| DART- | Purple | Viola | Morado | Pourpre | Lila |
| DART+ | Orange | Arancione | Naranja | Orange | Orange |
| - | Black | Nero | Negro | Noir | Schwarz |
| + | Red | Rosso | Rojo | Rouge | Rot |

58



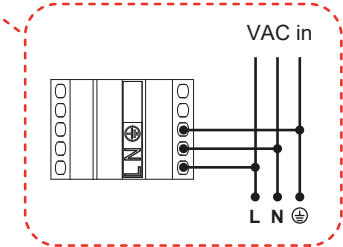
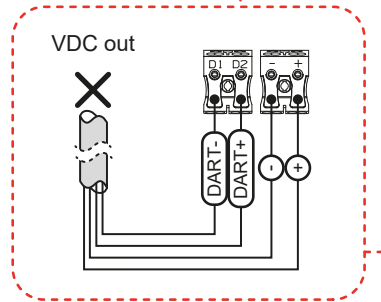
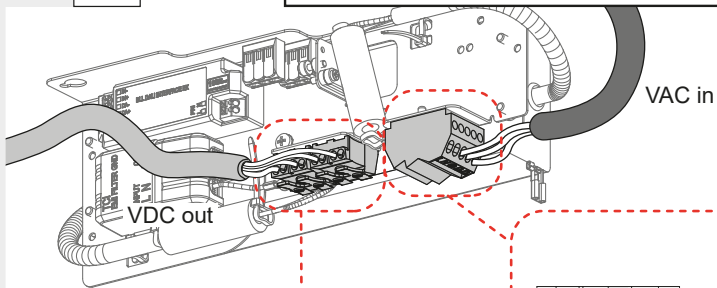
Only for TA61701, TA61901, TA66001



59

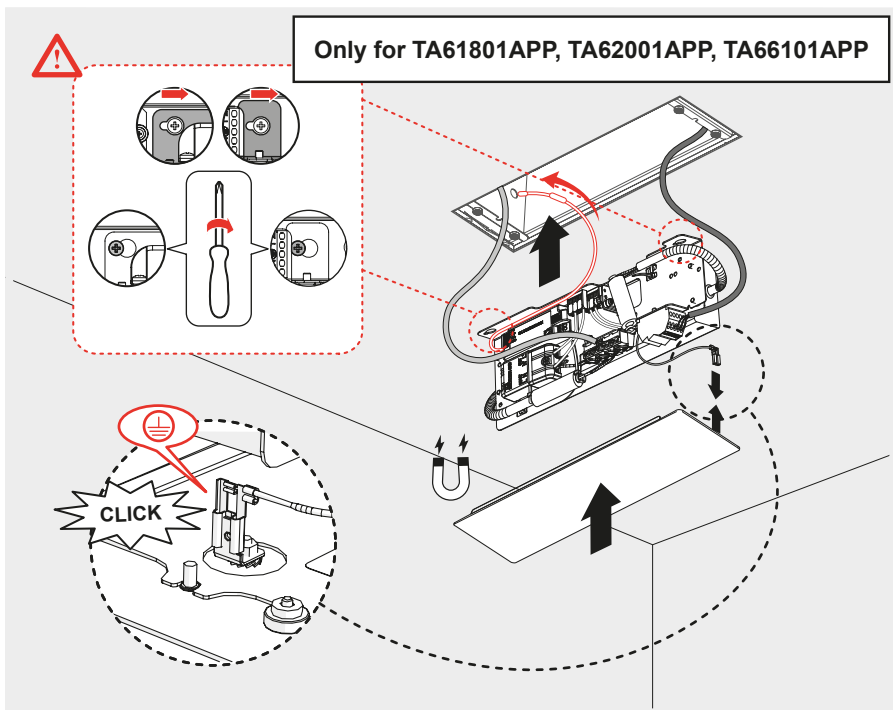
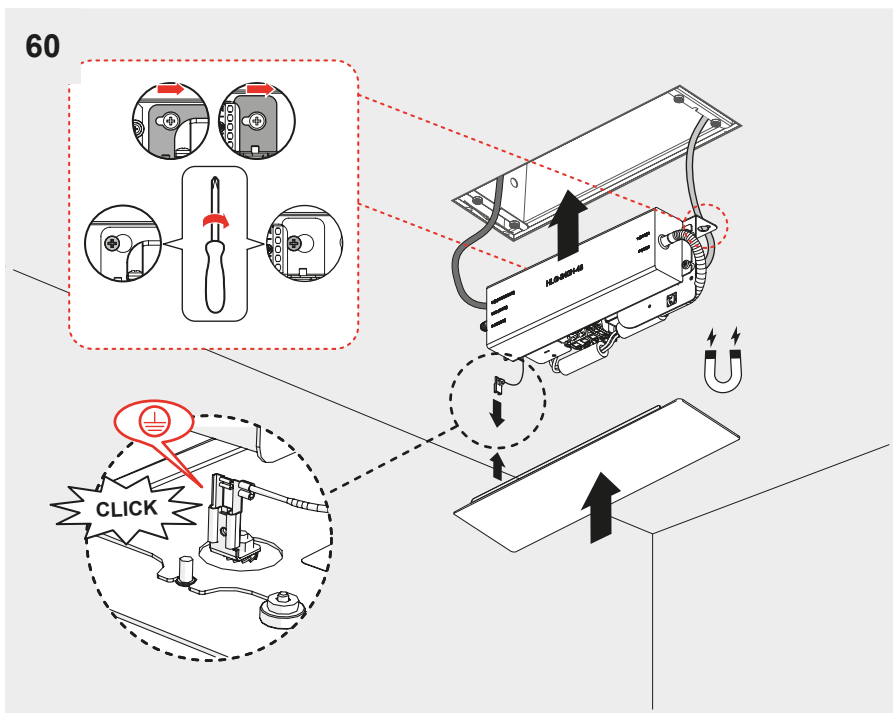


Only for TA61801APP, TA62001APP, TA66101APP



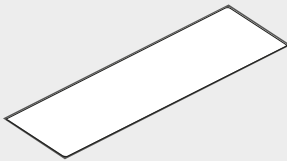
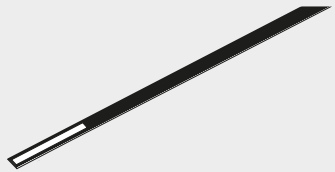
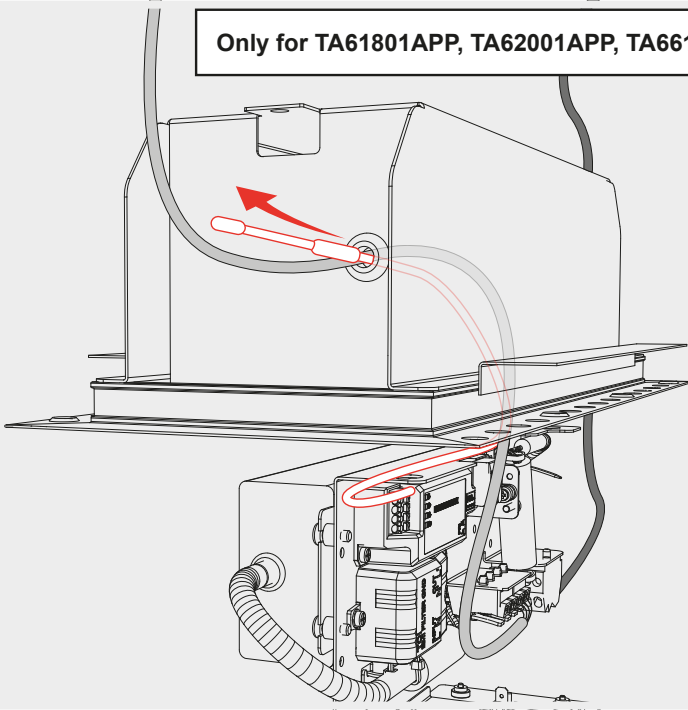
| | EN | IT | ES | FR | DE |
|-------|--------|-----------|---------|---------|---------|
| DART- | Purple | Viola | Morado | Pourpre | Lila |
| DART+ | Orange | Arancione | Naranja | Orange | Orange |
| - | Black | Nero | Negro | Noir | Schwarz |
| + | Red | Rosso | Rojo | Rouge | Rot |

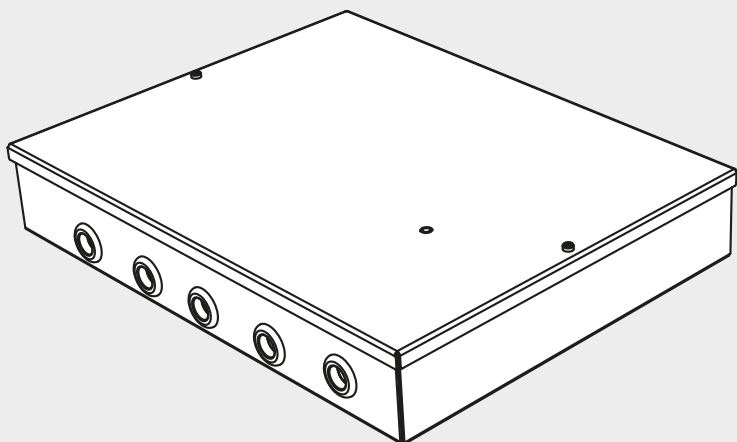
60



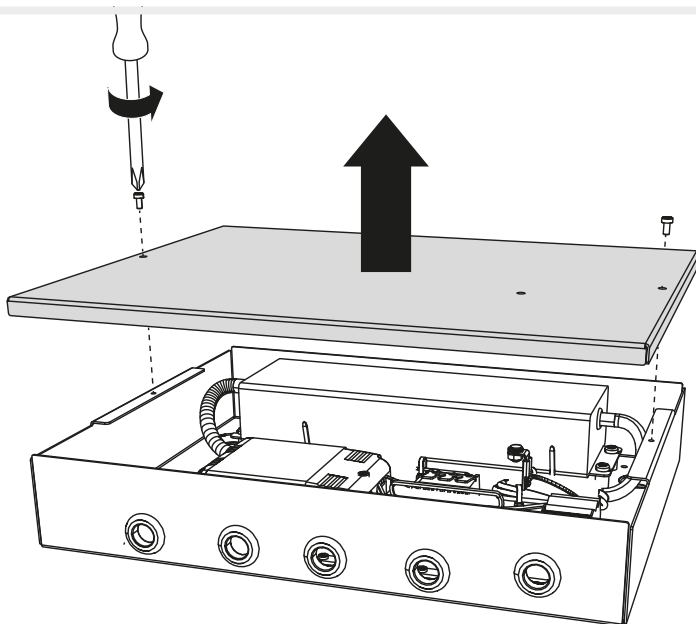


Only for TA61801APP, TA62001APP, TA66101APP



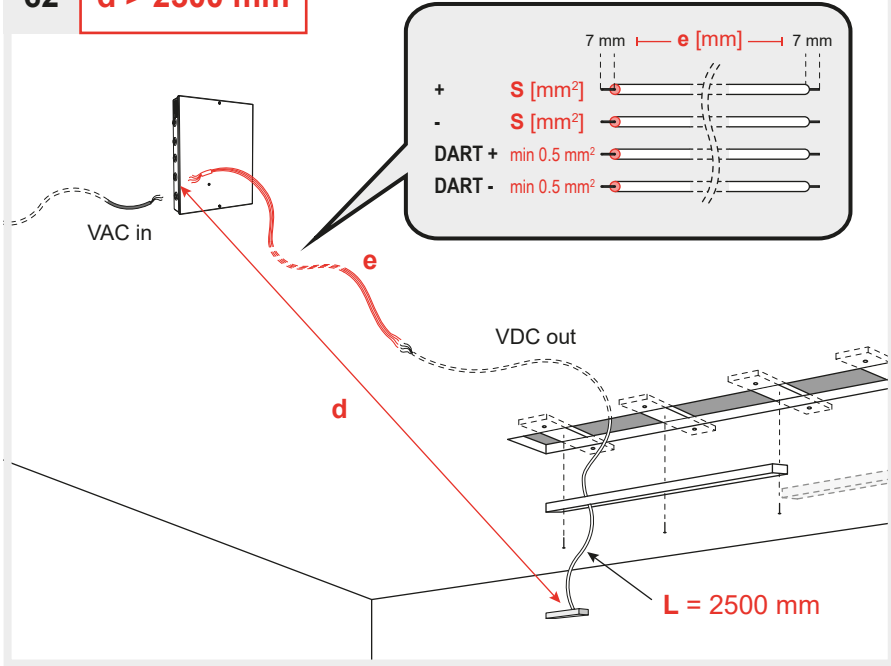


61

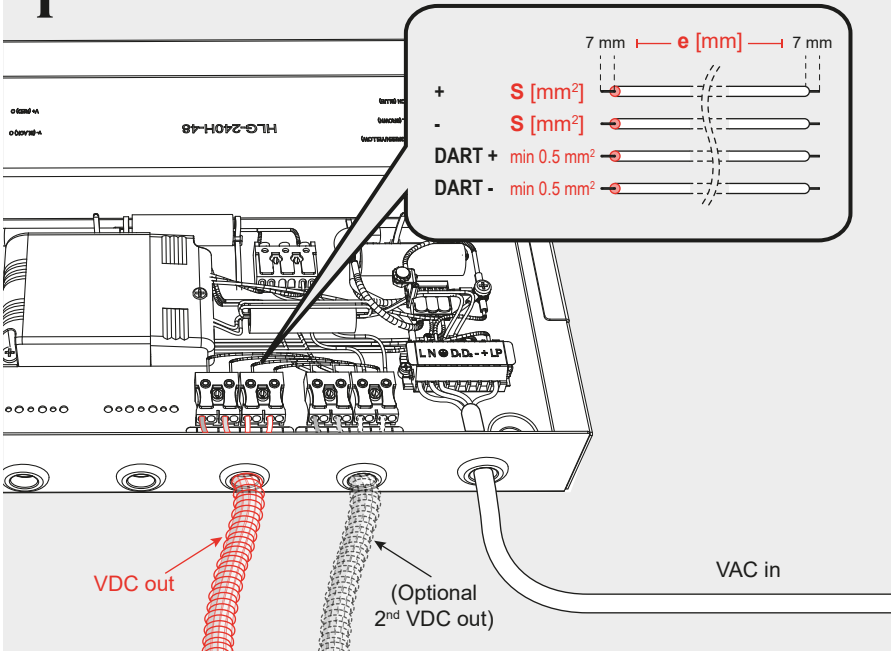


62

d > 2300 mm

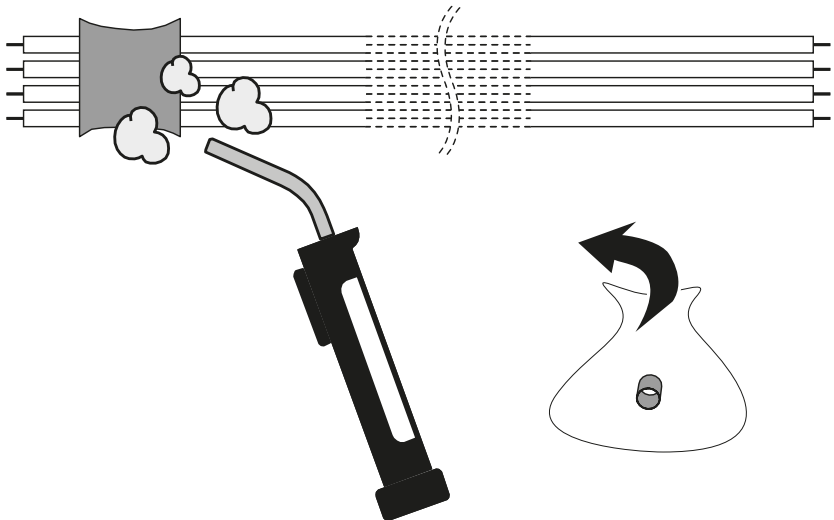


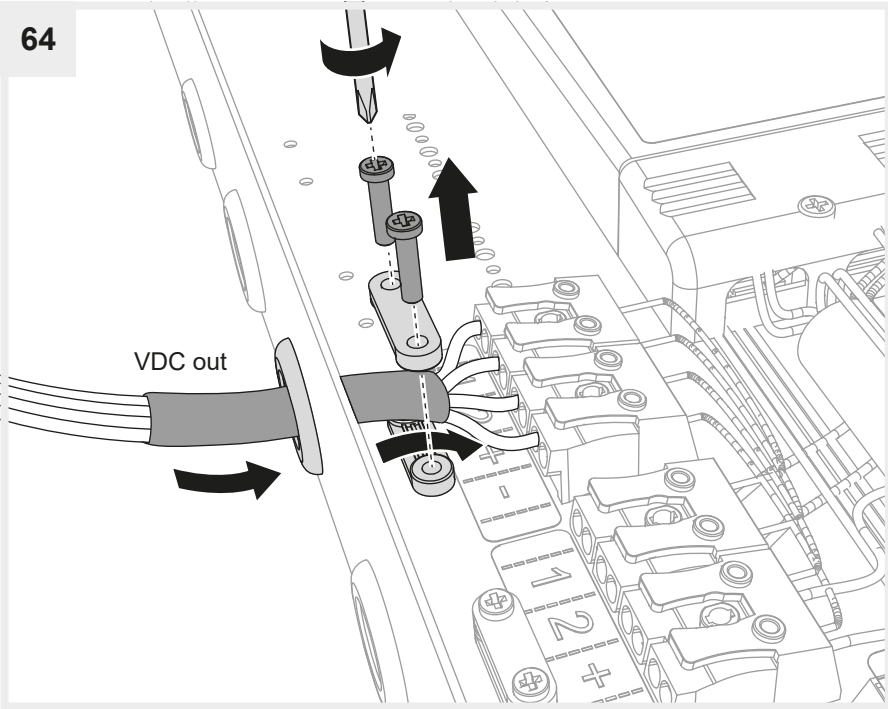
i










i**d > 2300 mm**

| Output Max [W] | Extension cord length e [m] | Extension cord cross section S [mm ²] | Max configuration length powerable with a cable length = e + L [m] |
|----------------|-----------------------------|---------------------------------------------------|--------------------------------------------------------------------|
| 125 | 10 | 1 | 58 |
| | 15 | 1.5 | 58 |
| | 25 | 2.5 | 58 |
| | 40 | 4 | 58 |
| 210 | 5 | 1 | 35 |
| | 10 | 1.5 | 29 |
| | 16 | 2.5 | 30 |
| | 25 | 4 | 30 |
| 270 | 5 | 1.5 | 28 |
| | 10 | 2.5 | 25 |
| | 17 | 4 | 24 |
| | 25 | 6 | 25 |

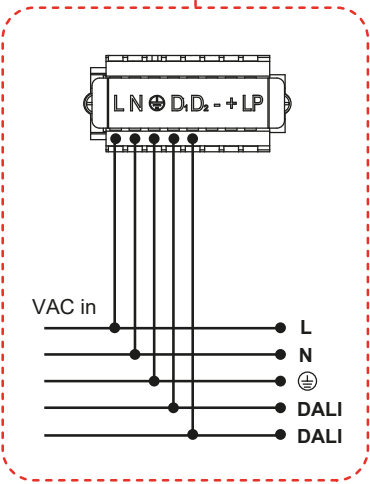
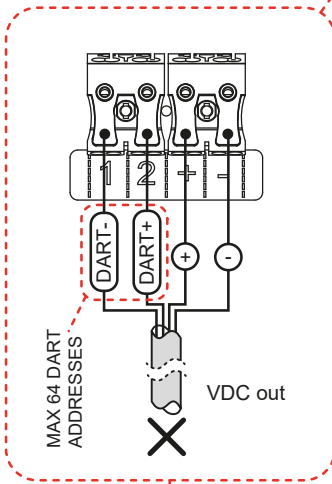
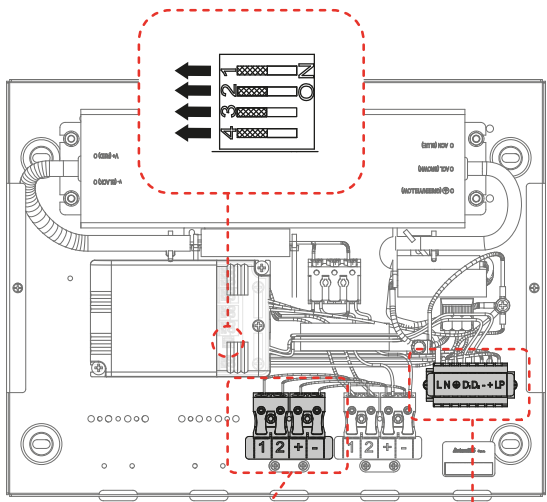
63



| | | |
|-----------------------------------------------------------------------------------------------------------------|----------------------|----------------------------------|
| <p>Fig. 65</p>  <p>DIM 4</p> | <p>DALI</p> | <p>Only for TA62500, TA68000</p> |
| <p>Fig. 66</p>  <p>DIM 1</p> | <p>0-10V</p> | |
| <p>Fig. 67</p>  <p>DIM 6</p> | <p>Potentiometer</p> | |
| <p>Fig. 68</p>  <p>DIM 2</p> | <p>1-10V</p> | |
| <p>Fig. 69</p>  <p>DIM 6</p> | <p>Push</p> | |
| <p>Fig. 70</p>  <p>DIM 6</p> | <p>LV Push</p> | |
| <p>Fig. 71</p>  | <p>APP</p> | |



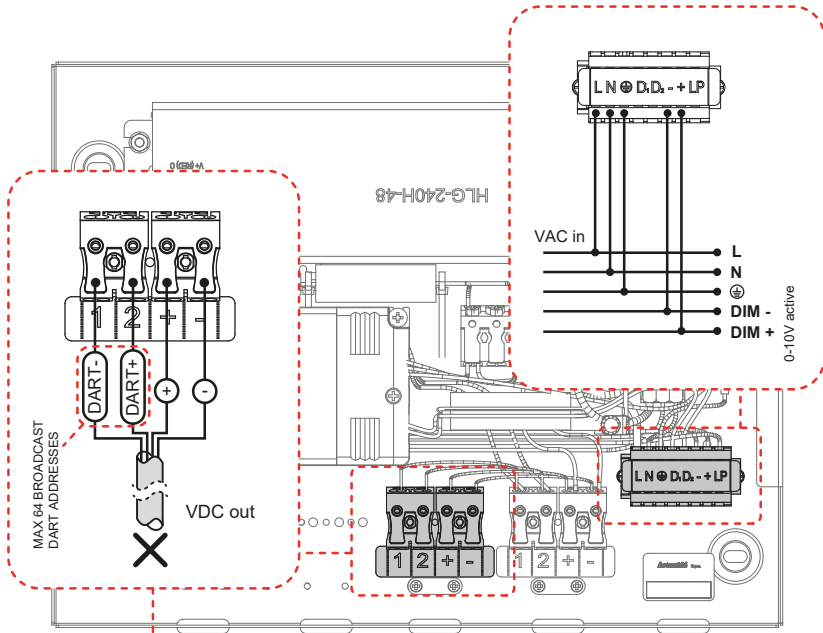
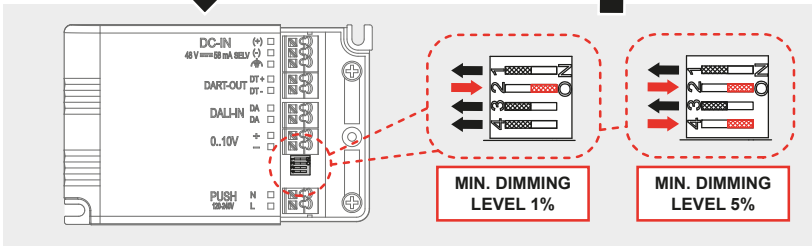
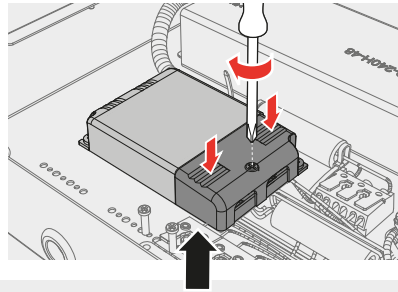
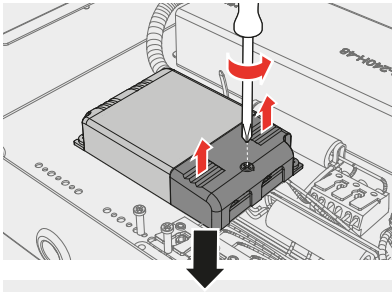
Only for TA62500, TA68000



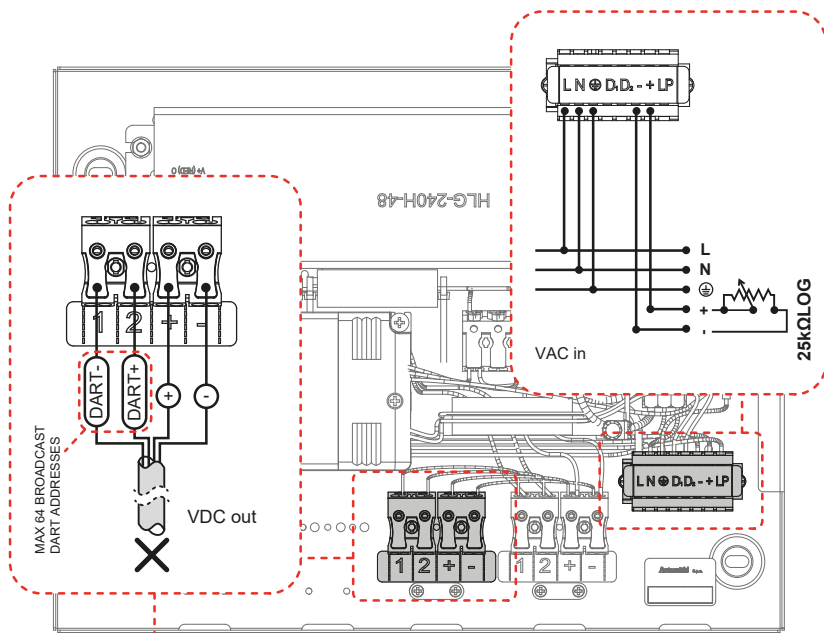
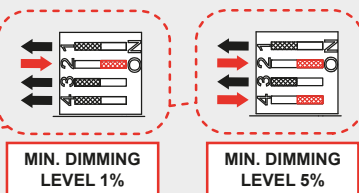
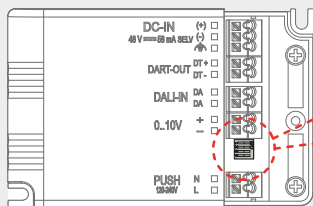
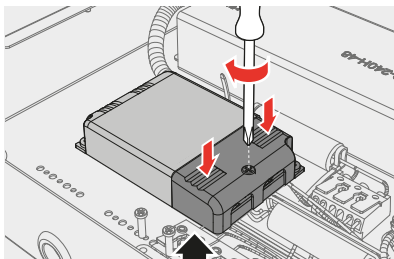
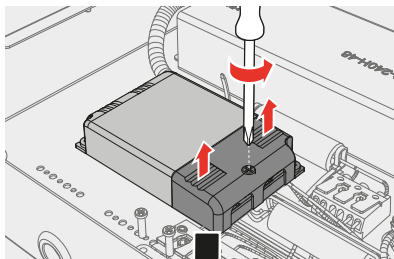
| | EN | IT | ES | FR | DE |
|-------|--------|-----------|---------|---------|---------|
| DART- | Purple | Viola | Morado | Pourpre | Lila |
| DART+ | Orange | Arancione | Naranja | Orange | Orange |
| - | Black | Nero | Negro | Noir | Schwarz |
| + | Red | Rosso | Rojo | Rouge | Rot |



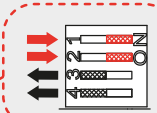
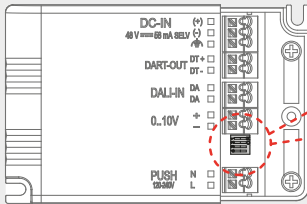
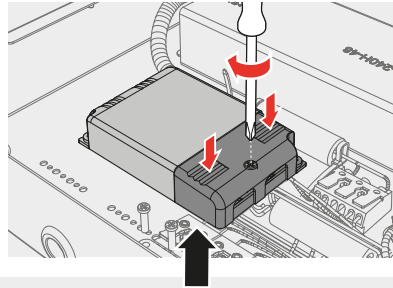
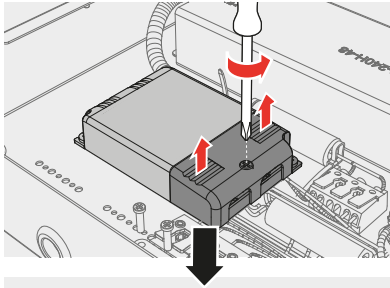
DART = DALI SELV



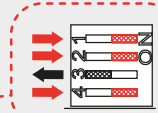
| | EN | IT | ES | FR | DE |
|-------|--------|-----------|---------|---------|---------|
| DART- | Purple | Viola | Morado | Pourpre | Lila |
| DART+ | Orange | Arancione | Naranja | Orange | Orange |
| - | Black | Nero | Negro | Noir | Schwarz |
| + | Red | Rosso | Rojo | Rouge | Rot |



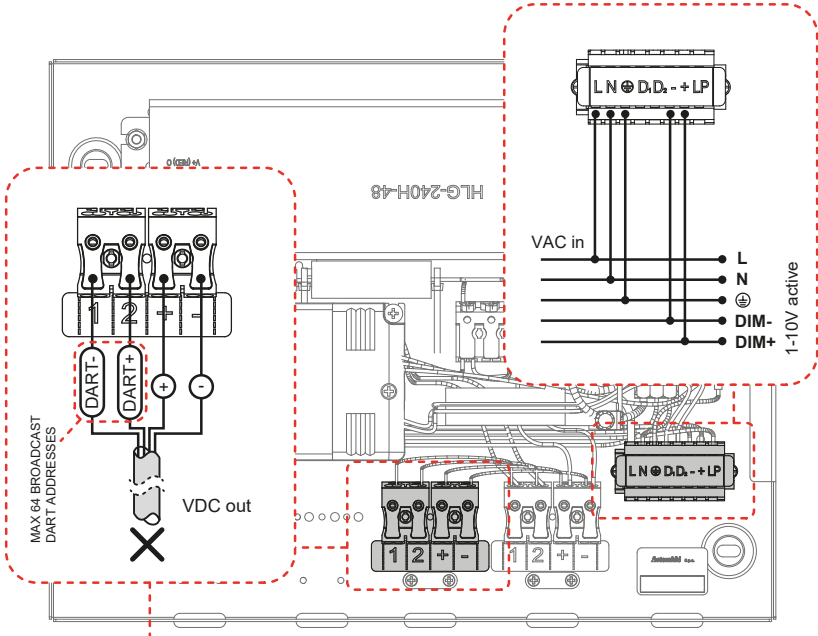
| | EN | IT | ES | FR | DE |
|-------|--------|-----------|---------|---------|---------|
| DART- | Purple | Viola | Morado | Pourpre | Lila |
| DART+ | Orange | Arancione | Naranja | Orange | Orange |
| - | Black | Nero | Negro | Noir | Schwarz |
| + | Red | Rosso | Rojo | Rouge | Rot |



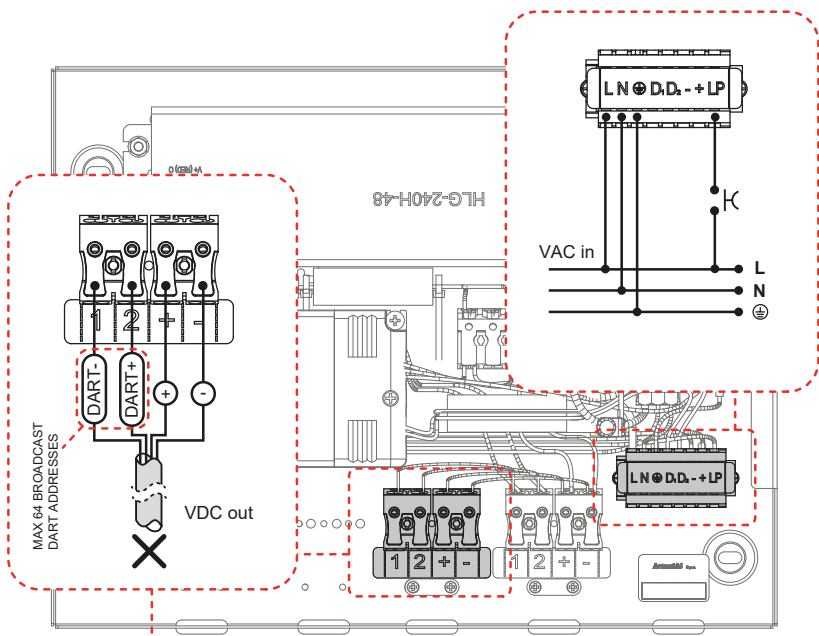
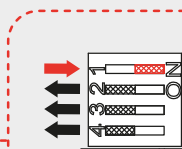
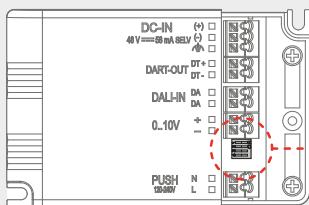
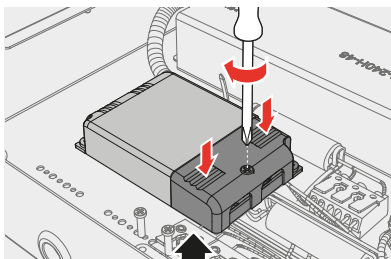
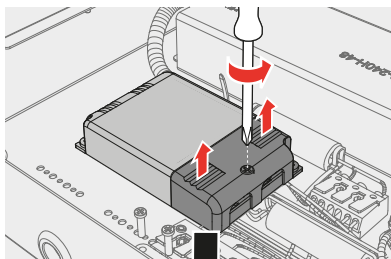
MIN. DIMMING LEVEL 1%



MIN. DIMMING LEVEL 5%



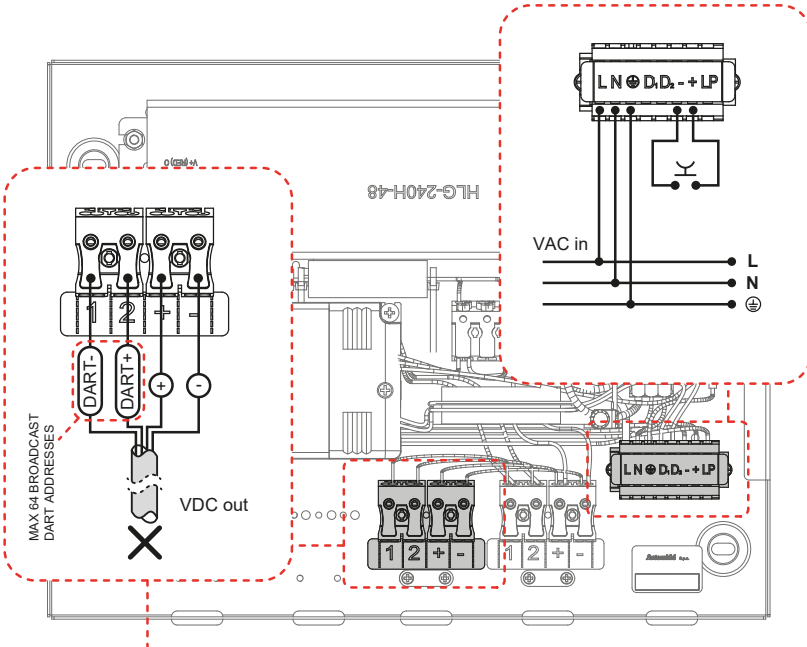
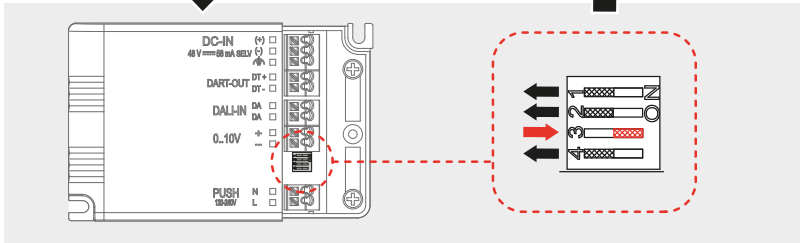
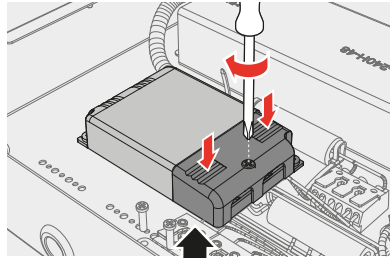
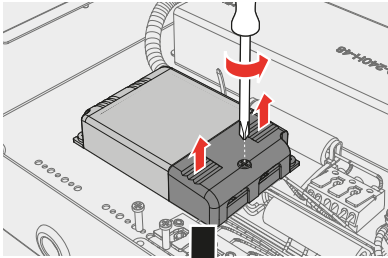
| | EN | IT | ES | FR | DE |
|-------|--------|-----------|---------|---------|---------|
| DART- | Purple | Viola | Morado | Pourpre | Lila |
| DART+ | Orange | Arancione | Naranja | Orange | Orange |
| - | Black | Nero | Negro | Noir | Schwarz |
| + | Red | Rosso | Rojo | Rouge | Rot |



MAX 64 BROADCAST
DART ADDRESSES

VDC out

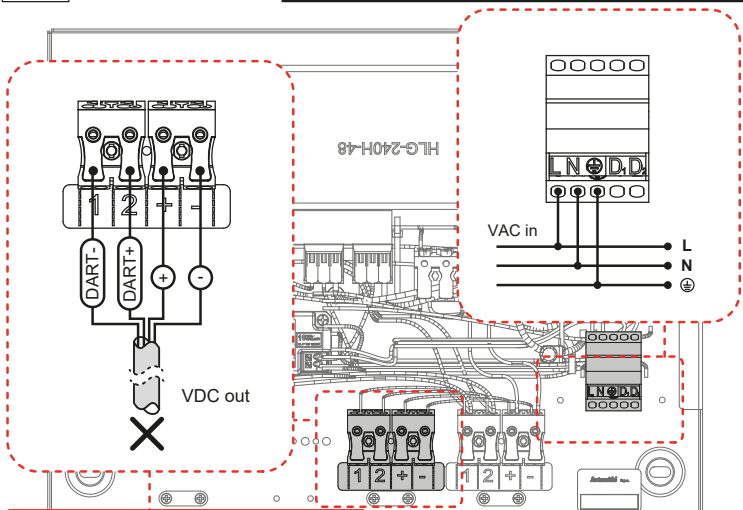
| | EN | IT | ES | FR | DE |
|-------|--------|-----------|---------|---------|---------|
| DART- | Purple | Viola | Morado | Pourpre | Lila |
| DART+ | Orange | Arancione | Naranja | Orange | Orange |
| - | Black | Nero | Negro | Noir | Schwarz |
| + | Red | Rosso | Rojo | Rouge | Rot |



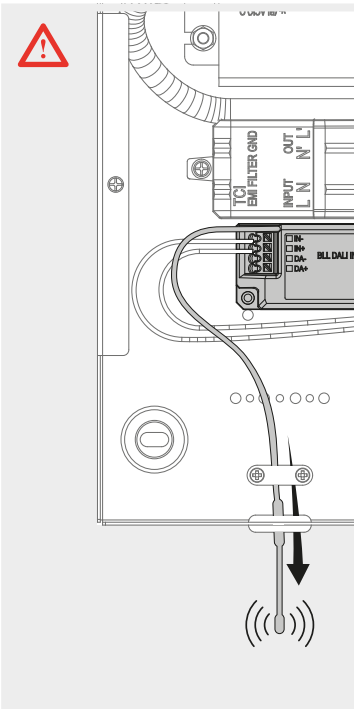
| | EN | IT | ES | FR | DE |
|-------|--------|-----------|---------|---------|---------|
| DART- | Purple | Viola | Morado | Pourpre | Lila |
| DART+ | Orange | Arancione | Naranja | Orange | Orange |
| - | Black | Nero | Negro | Noir | Schwarz |
| + | Red | Rosso | Rojo | Rouge | Rot |



Only for TA62500APP, TA68000APP



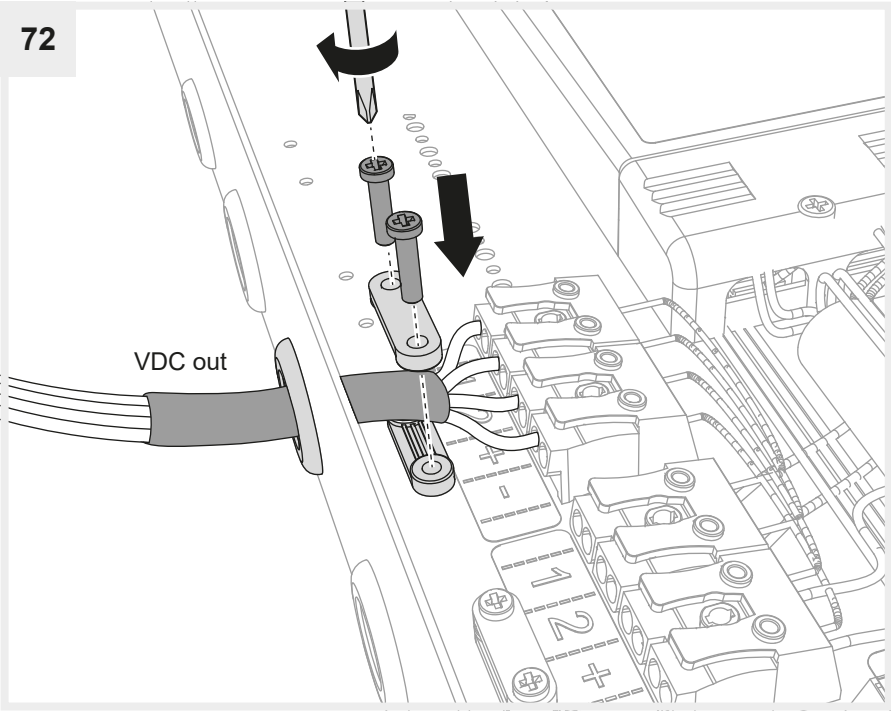
| | EN | IT | ES | FR | DE |
|-------|--------|-----------|---------|---------|---------|
| DART- | Purple | Viola | Morado | Pourpre | Lila |
| DART+ | Orange | Arancione | Naranja | Orange | Orange |
| - | Black | Nero | Negro | Noir | Schwarz |
| + | Red | Rosso | Rojo | Rouge | Rot |



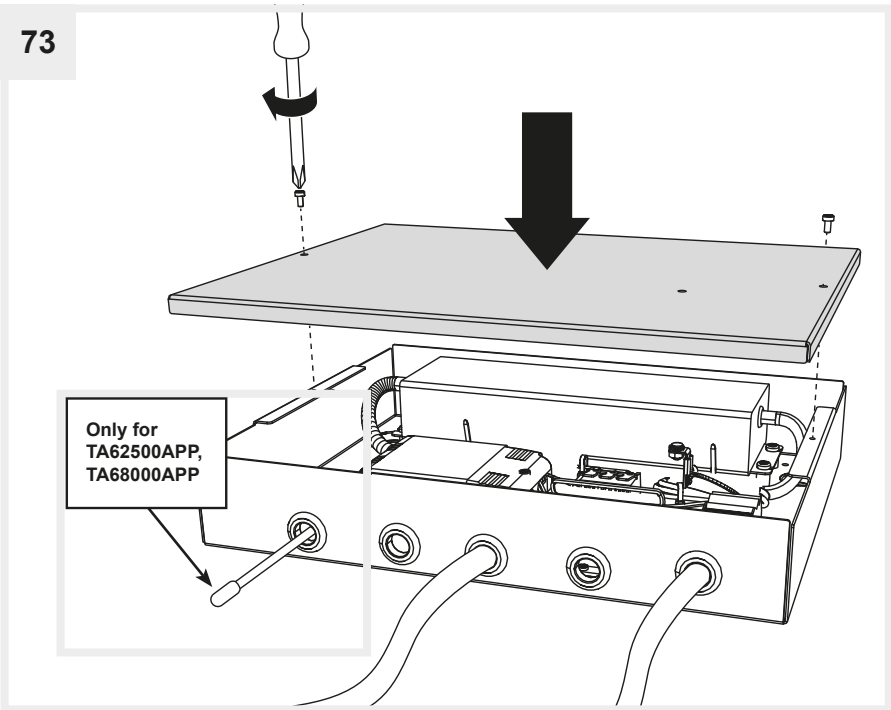
Only for TA62500APP, TA68000APP

Only for TA62500APP, TA68000APP

72

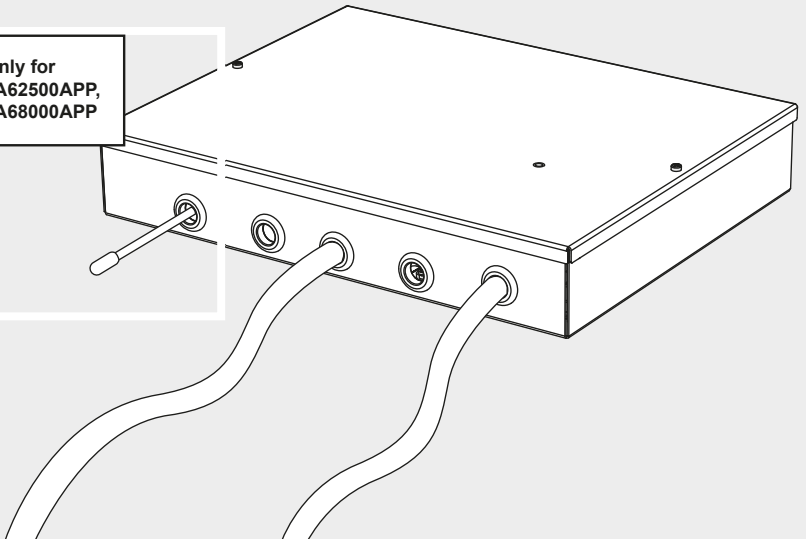


73





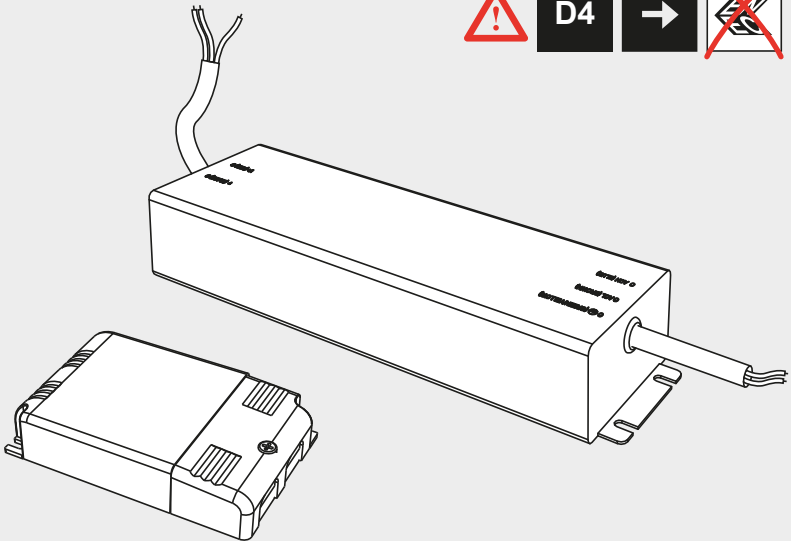
Only for
TA62500APP,
TA68000APP



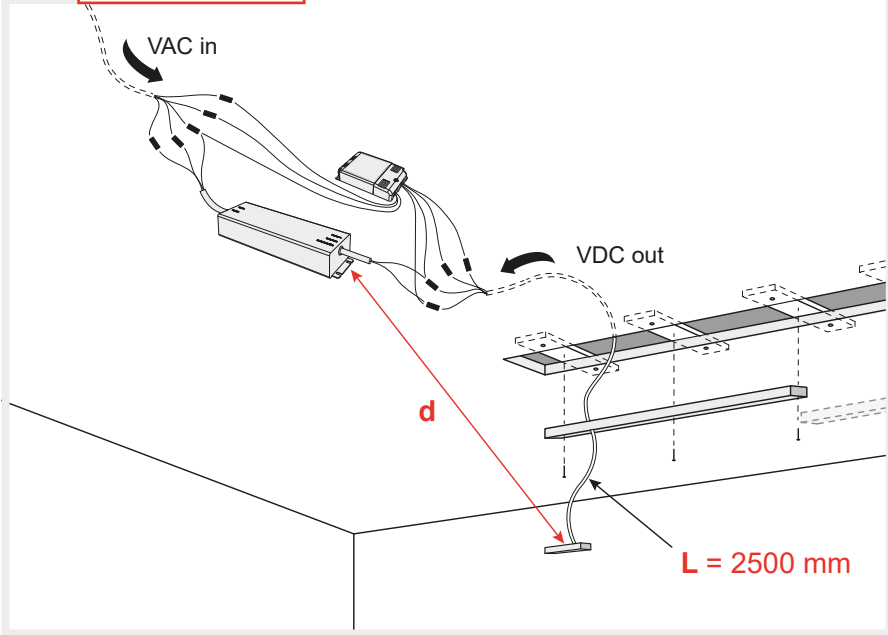
D4



D4



74

d < 2300 mm

75

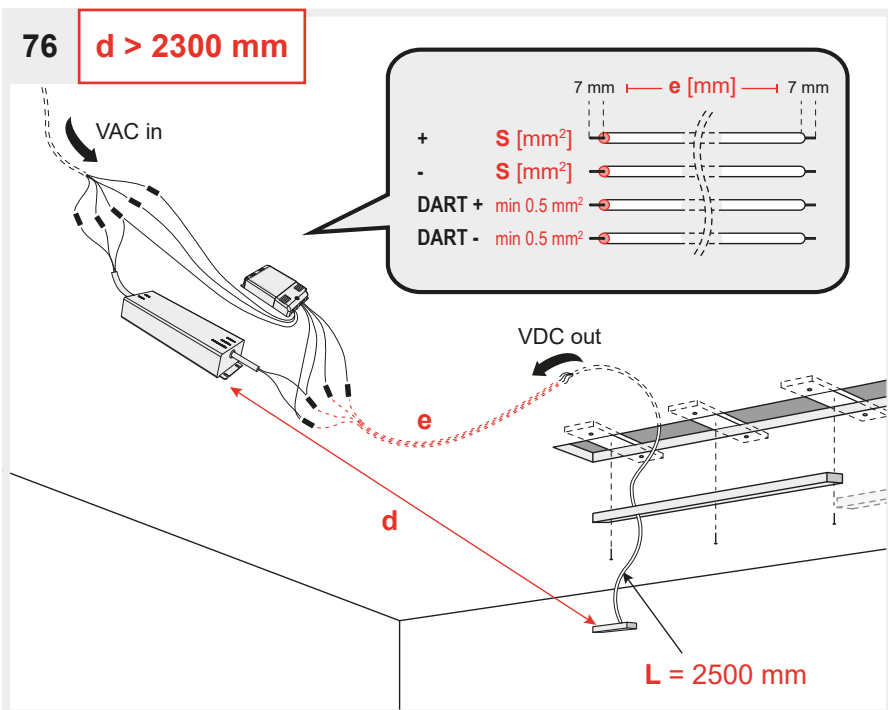
d < 2300 mm

| Output Max [W] | Max configuration length powerable with standard power cable L = 2500 mm [m] |
|----------------|------------------------------------------------------------------------------|
| 125 | 97 |
| 210 | 54 |
| 270 | 42 |

| | Standard power cable colours | | | | | Cable cross section | |
|-------|------------------------------|-----------|---------|---------|---------|---------------------|--------------------|
| | EN | IT | ES | FR | DE | AWG | [mm ²] |
| DART- | Purple | Viola | Morado | Pourpre | Lila | 20 | 0.5 |
| DART+ | Orange | Arancione | Naranja | Orange | Orange | 20 | 0.5 |
| - | Black | Nero | Negro | Noir | Schwarz | 16 | 1.5 |
| + | Red | Rosso | Rojo | Rouge | Rot | 16 | 1.5 |



76

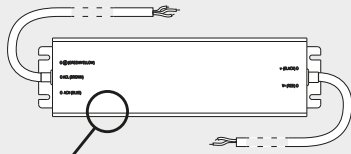
 $d > 2300 \text{ mm}$ 

77

 $d > 2300 \text{ mm}$

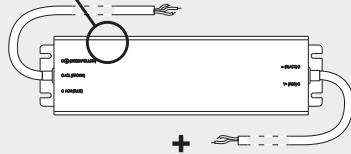
| Output Max [W] | Extension cord length $e \text{ [m]}$ | Extension cord cross section $S \text{ [mm}^2\text{]}$ | Max configuration length powerable with a cable length $= e + L \text{ [m]}$ |
|----------------|---------------------------------------|--------------------------------------------------------|------------------------------------------------------------------------------|
| 125 | 10 | 1 | 58 |
| | 15 | 1.5 | 58 |
| | 25 | 2.5 | 58 |
| | 40 | 4 | 58 |
| 210 | 5 | 1 | 35 |
| | 10 | 1.5 | 29 |
| | 16 | 2.5 | 30 |
| | 25 | 4 | 30 |
| 270 | 5 | 1.5 | 28 |
| | 10 | 2.5 | 25 |
| | 17 | 4 | 24 |
| | 25 | 6 | 25 |

i

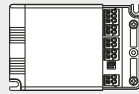


78

Output Max



79



Max Output DART addresses = 64

78



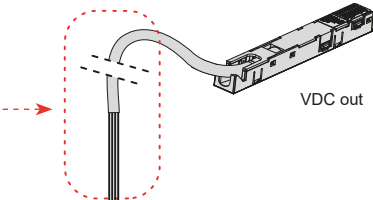
i



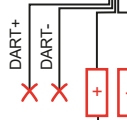
75

77

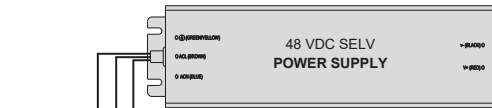
| | EN | IT | ES | FR | DE |
|--------------|--------|-----------|---------|---------|---------|
| DART- | Purple | Viola | Morado | Pourpre | Lila |
| DART+ | Orange | Arancione | Naranja | Orange | Orange |
| - | Black | Nero | Negro | Noir | Schwarz |
| + | Red | Rosso | Rojo | Rouge | Rot |



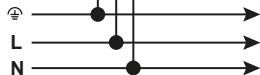
VDC out



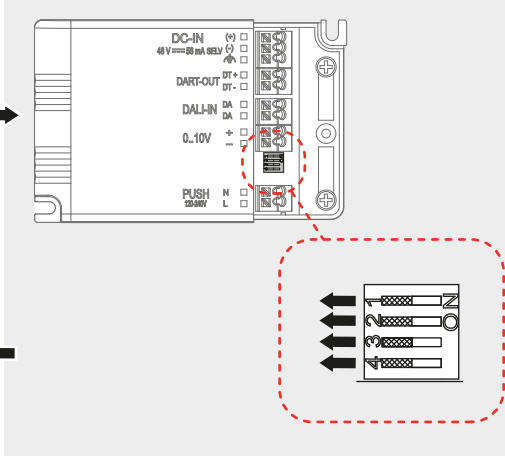
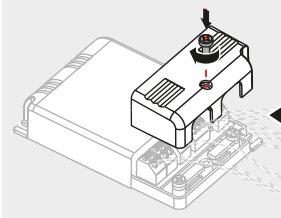
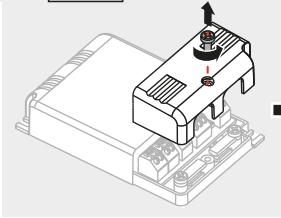
min 100V
min 10A
mm² → fig. 75 / 77



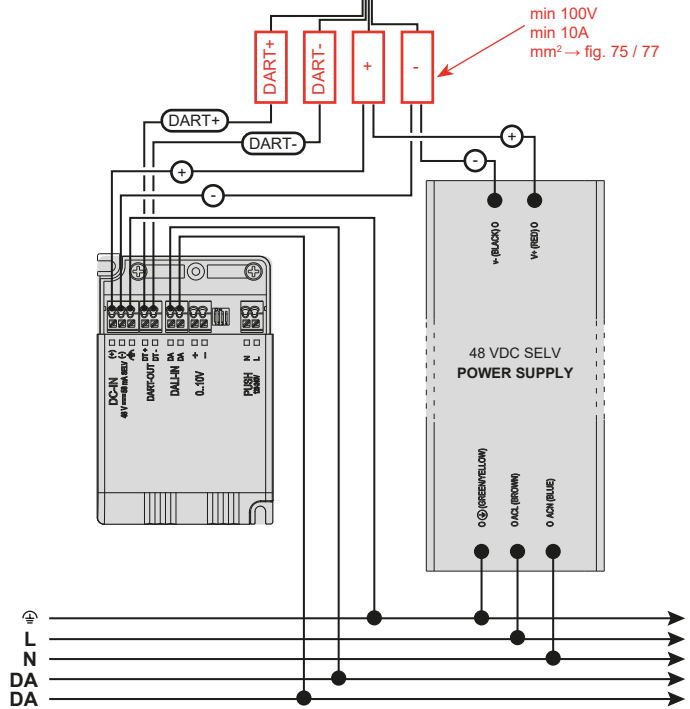
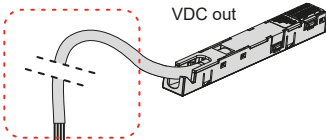
VAC in



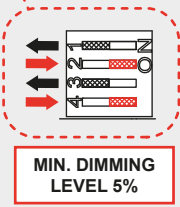
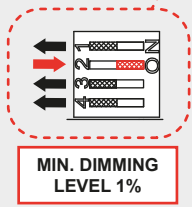
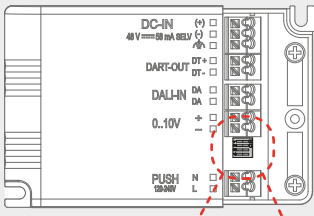
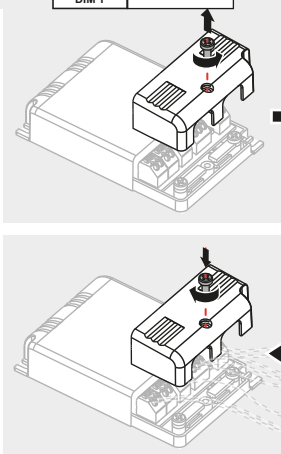
79a



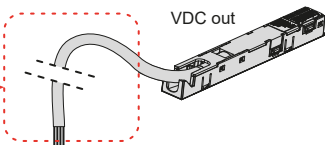
i → 75 77



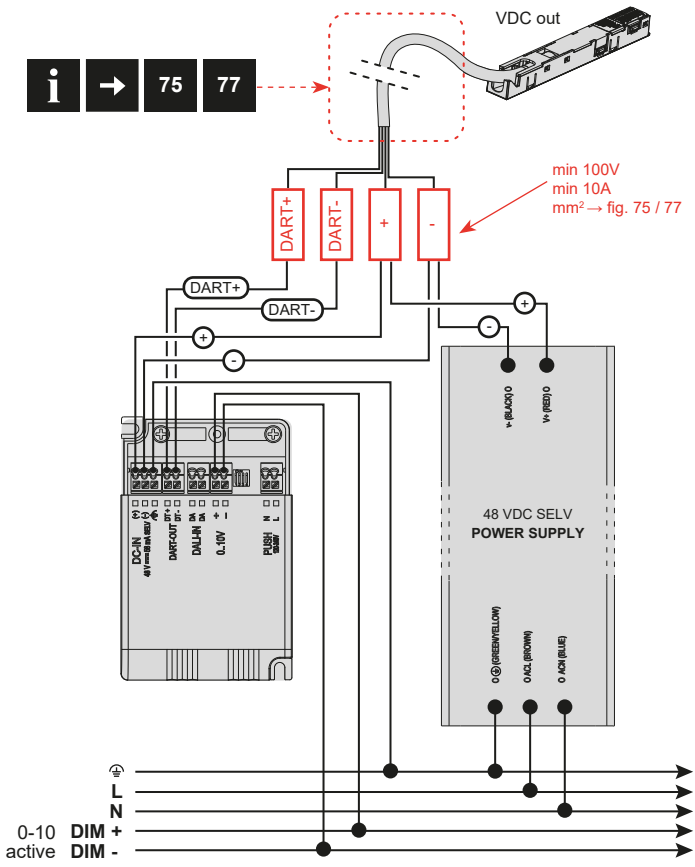
79b



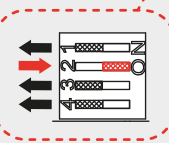
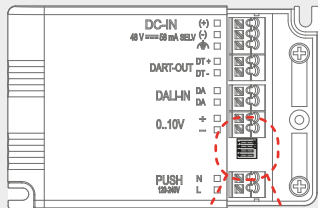
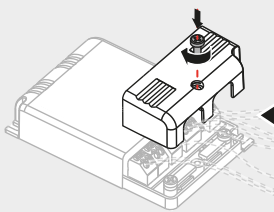
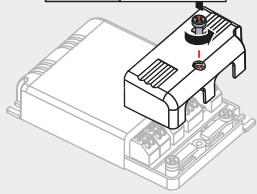
i → **75** **77**



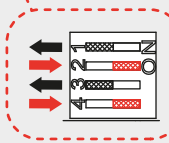
min 100V
min 10A
mm² → fig. 75 / 77



79c

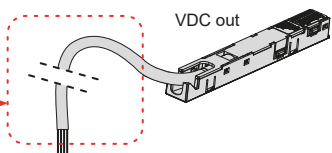


MIN. DIMMING LEVEL 1%

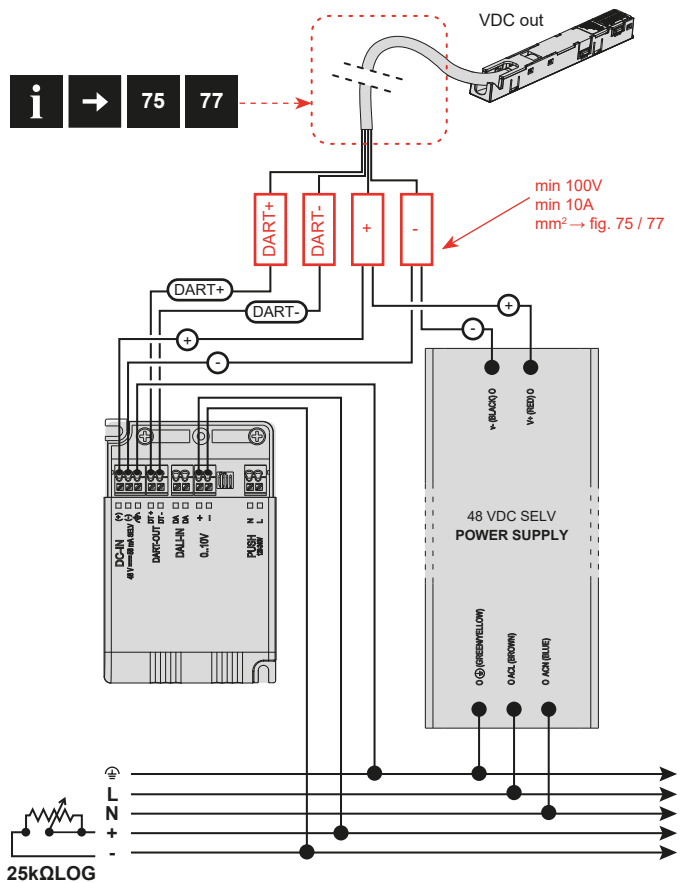


MIN. DIMMING LEVEL 5%

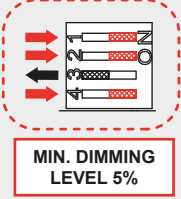
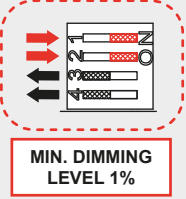
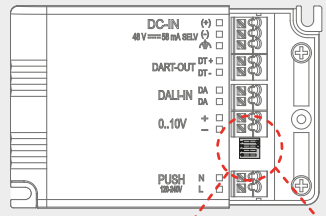
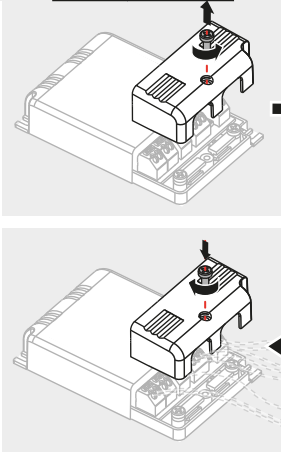
i → 75 77



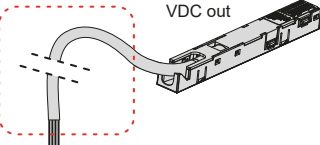
min 100V
min 10A
mm² → fig. 75 / 77



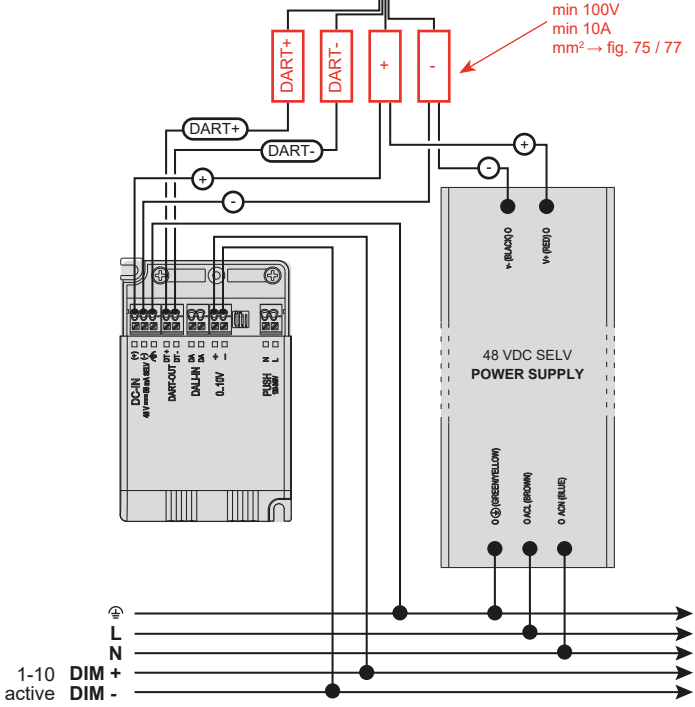
79d



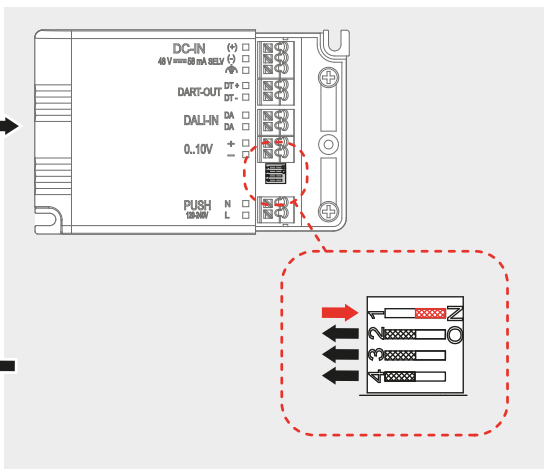
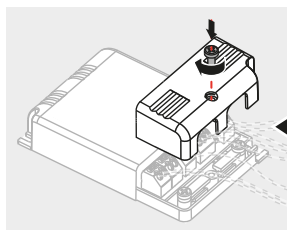
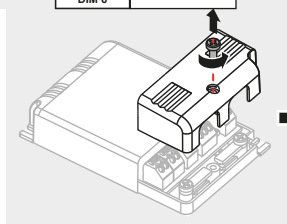
i → 75 77



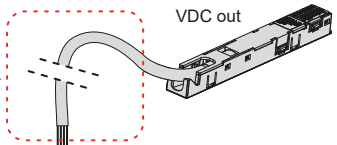
min 100V
min 10A
mm² → fig. 75 / 77



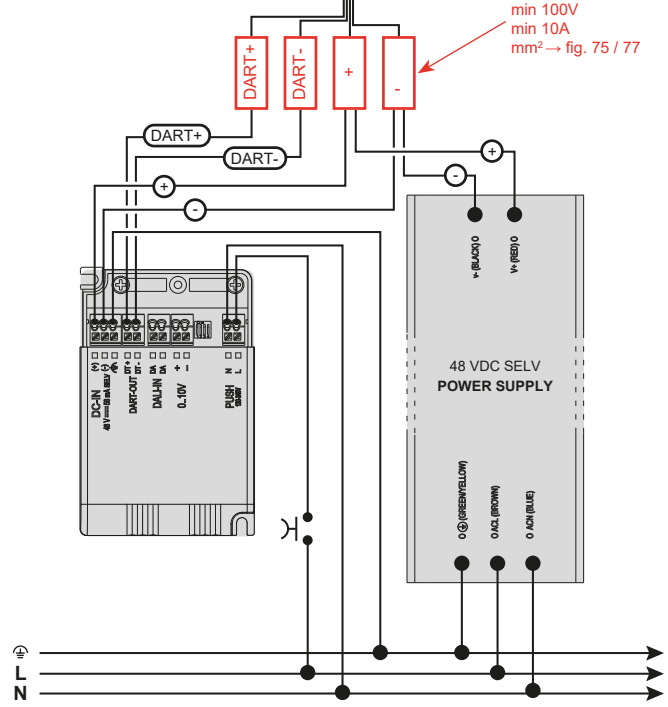
79e



i → 75 77



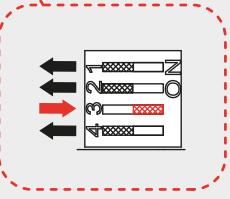
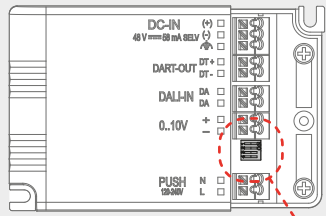
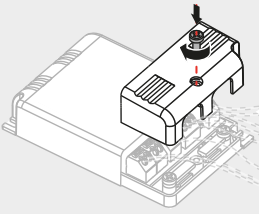
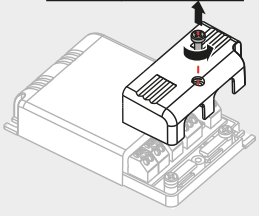
min 100V
min 10A
mm² → fig. 75 / 77



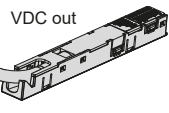
79f



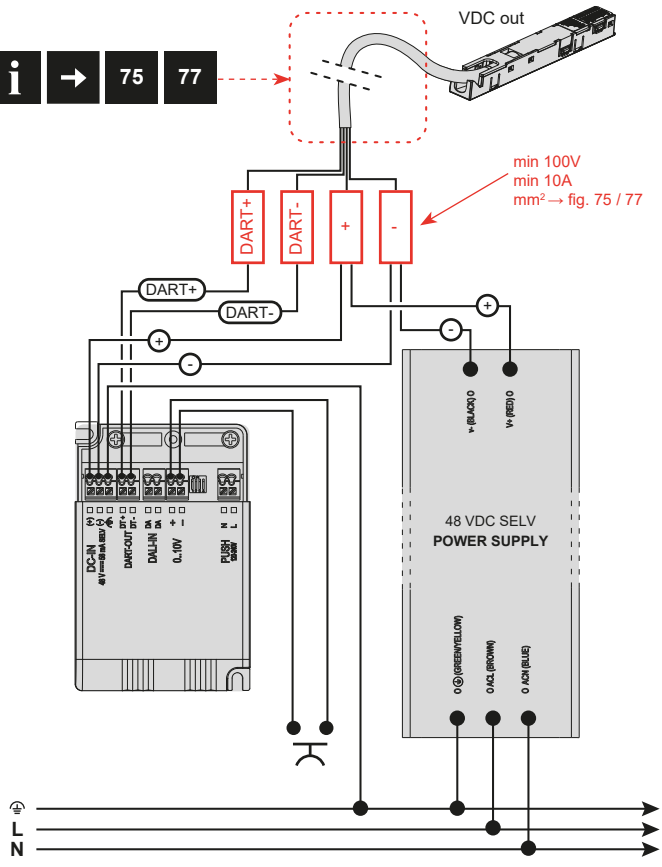
LV Push

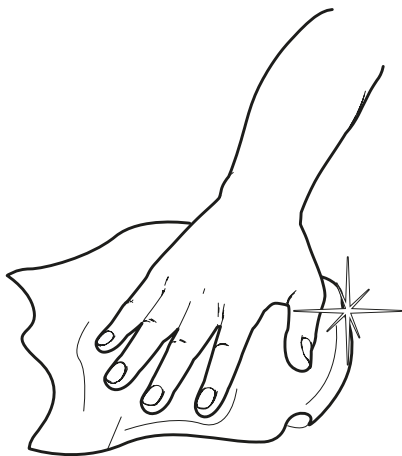


i → 75 77

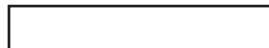


min 100V
min 10A
mm² → fig. 75 / 77





Artemide®



Artemide

via Bergamo, 18
20006 Pregnana M.se (MI)
ITALIA

tel. +39 02 935 181
fax +39 02 935 90 254
fax +39 02 935 90 496

www.artemide.com

VAT IT00846890150

cod. Y513001469C