

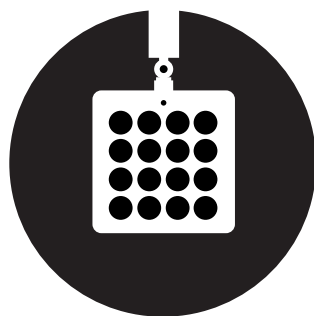
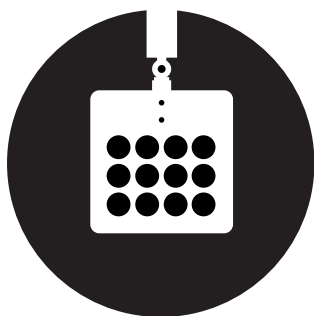
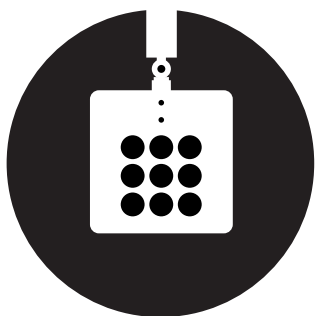
UNA PRO

wall / ceiling

Carlotta de Bevilacqua | 2010

DANESE

MILANO



PATENT PENDING N° MI2010A000185



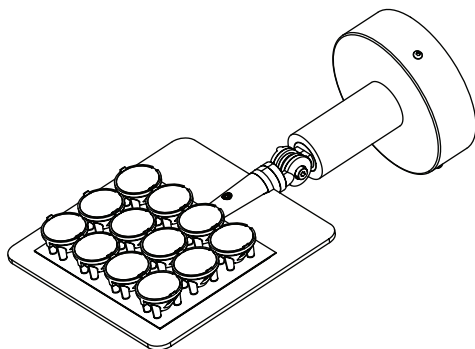
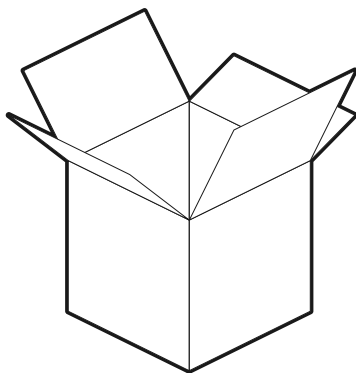
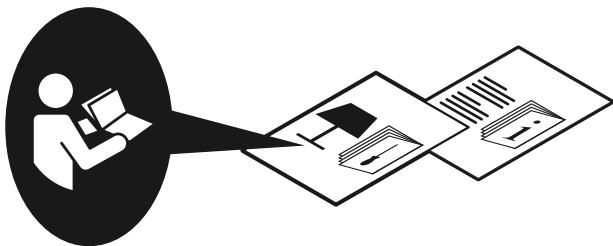
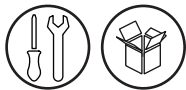


Fig. 1

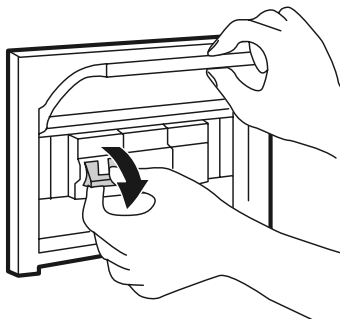
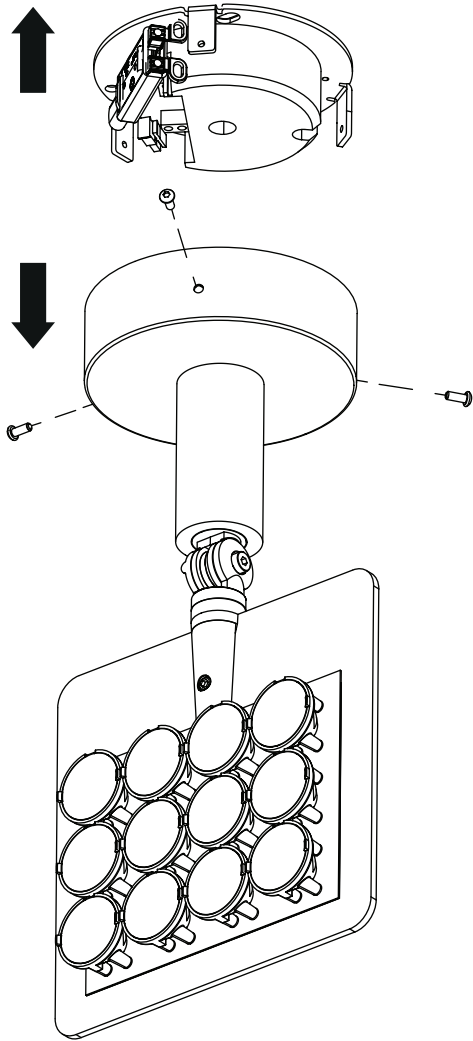


Fig. 2

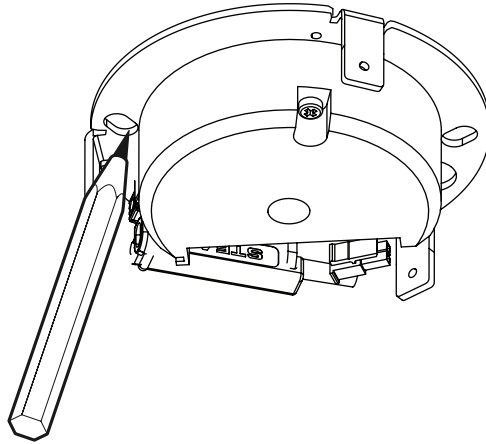


Fig. 3

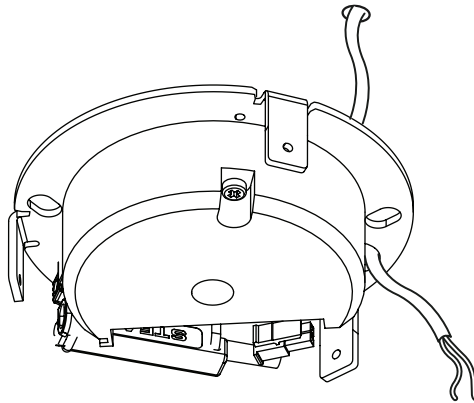


Fig. 4

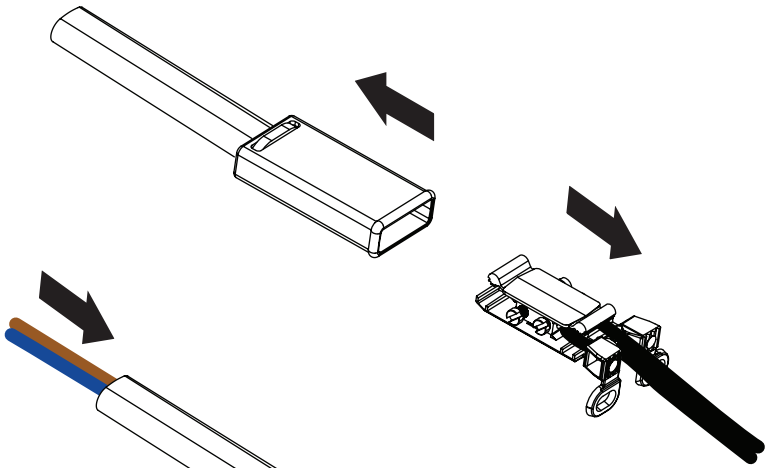


Fig. 5

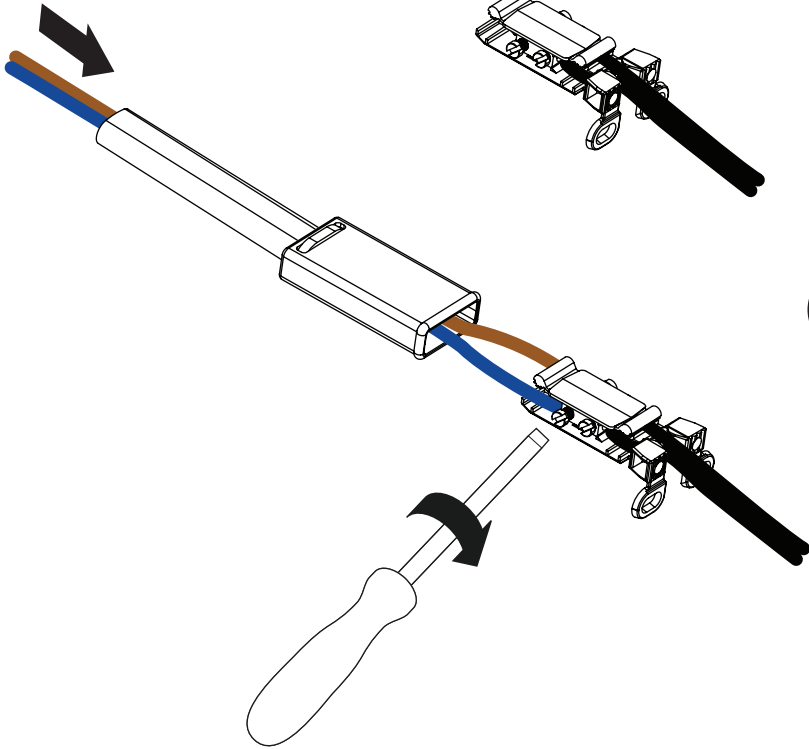


Fig. 6

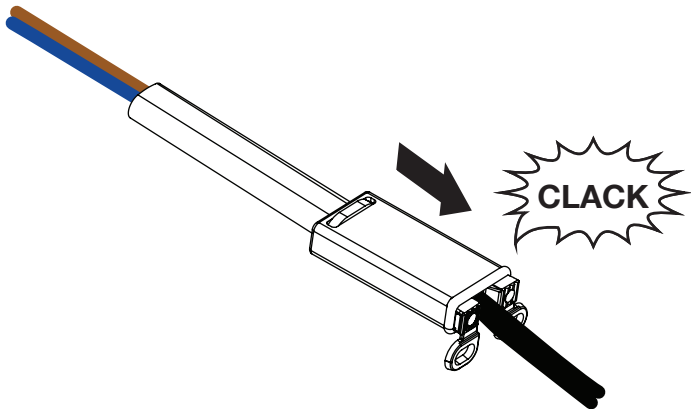


Fig. 7

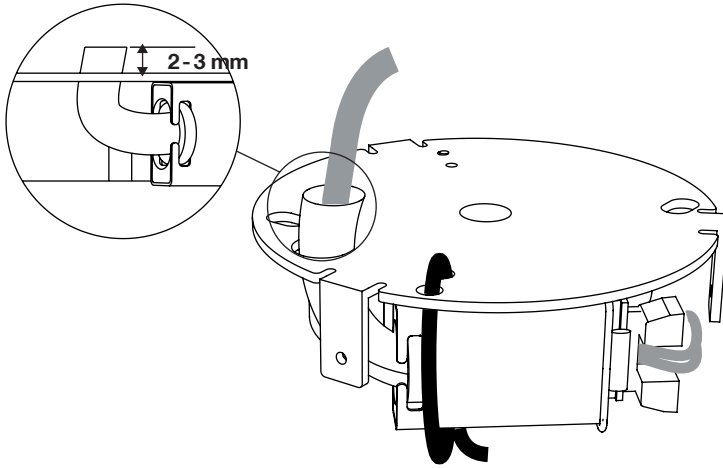


Fig. 8

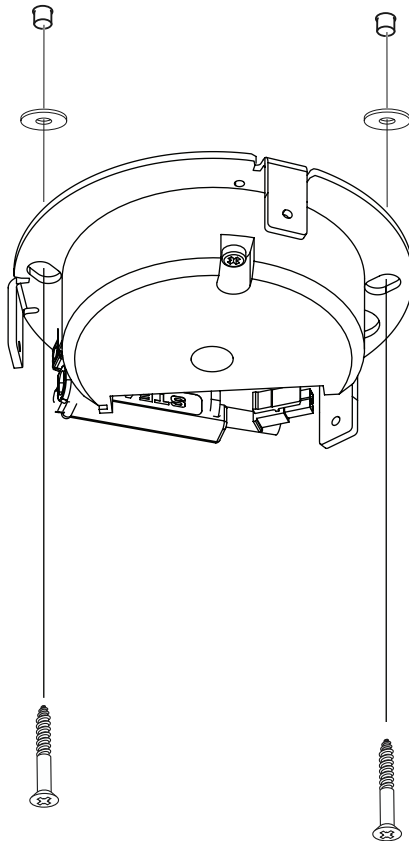


Fig. 9

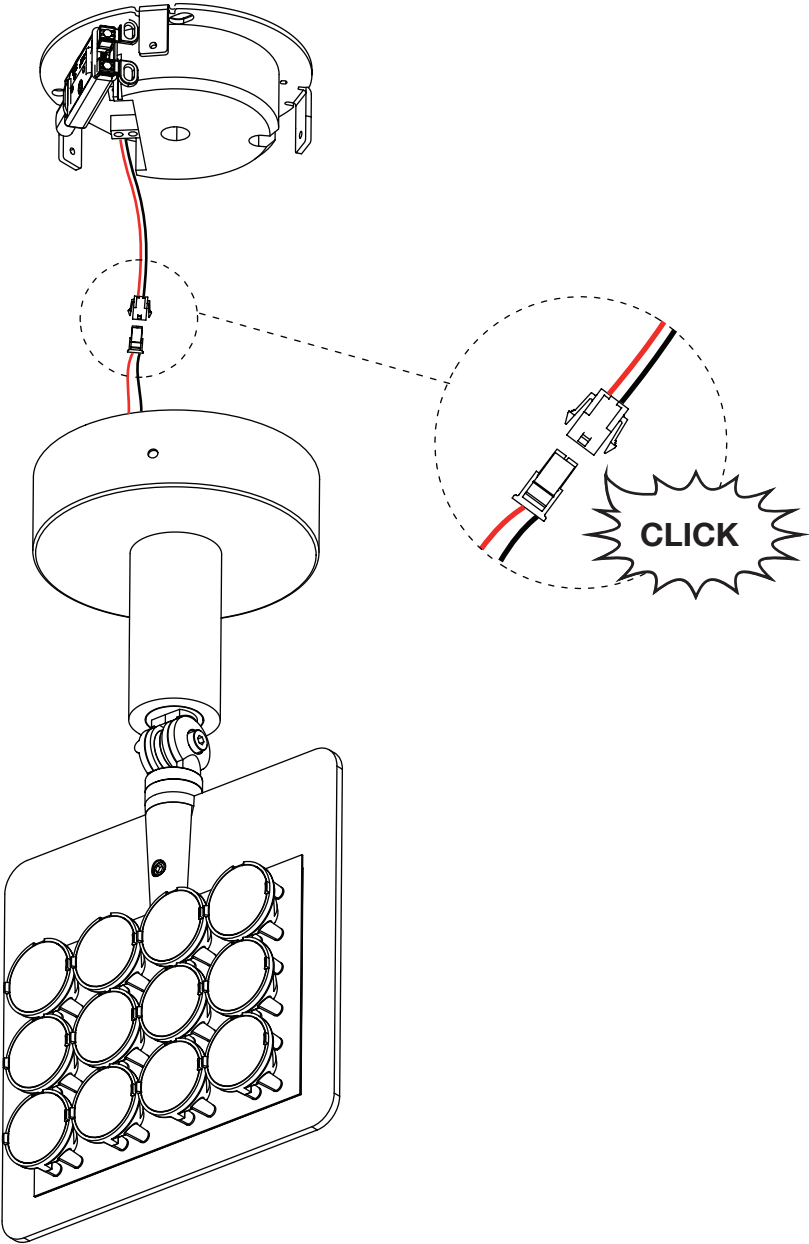


Fig. 10

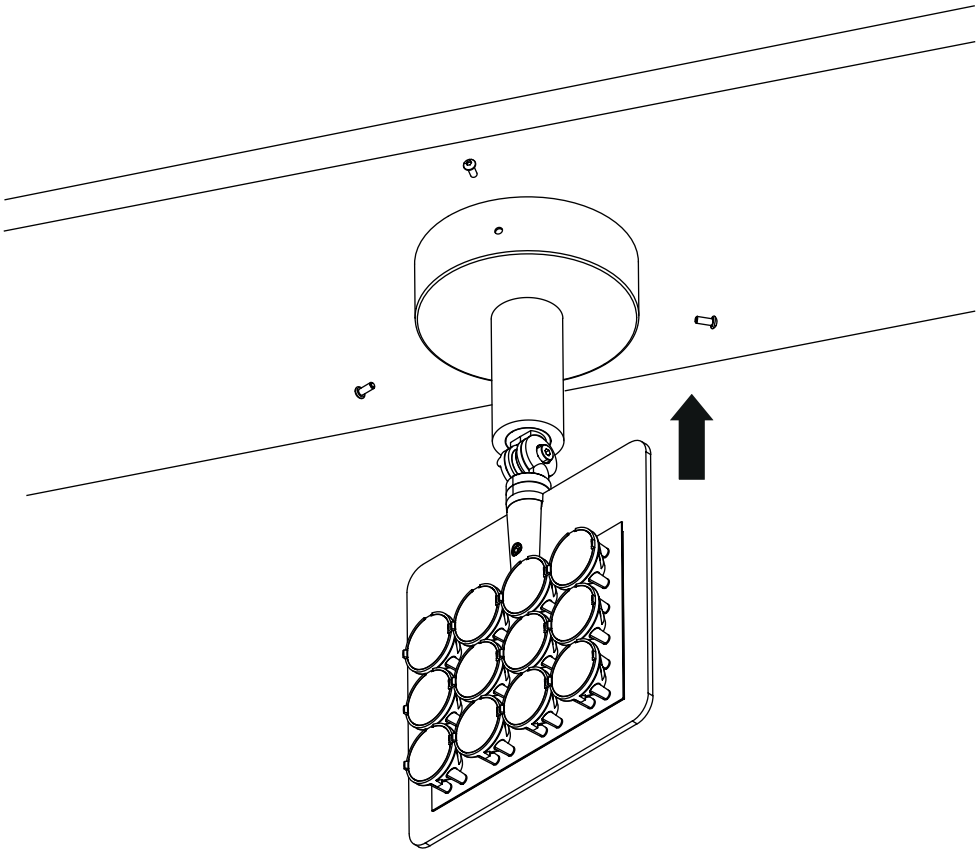
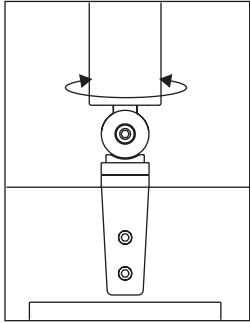
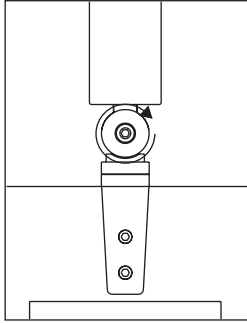


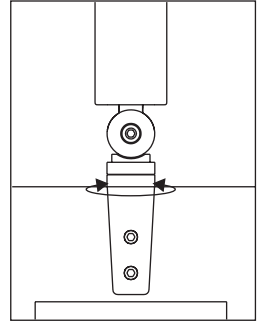
Fig. 11



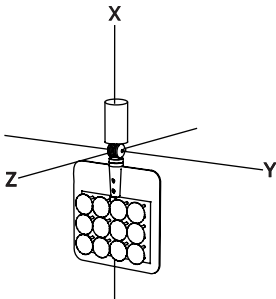
358°



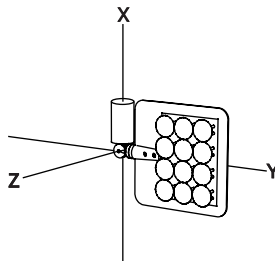
180°



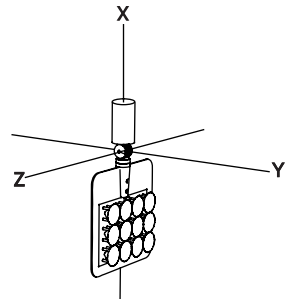
358°



358°

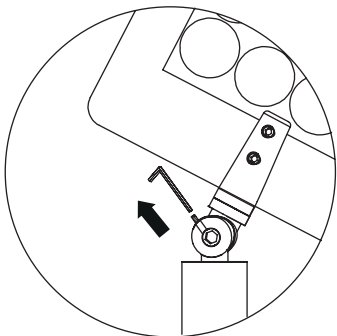


180°

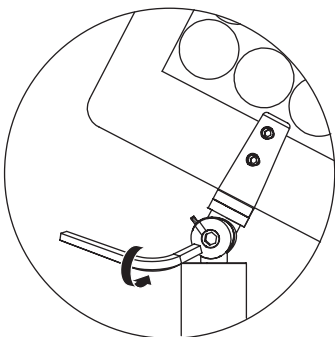


358°

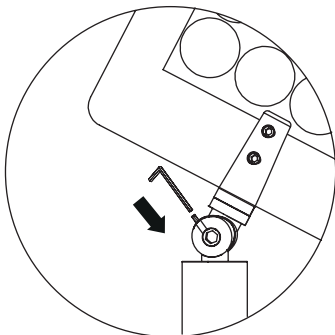
Fig. 12



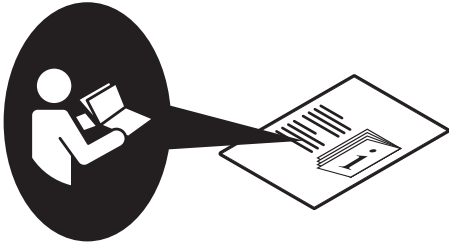
12.A



12.B



12.C



DANESE

VIA ANTONIO CANOVA 34

20145 MILANO

T. +39.02.349611

F. +39.02.34538211

info@danese milano.com

www.danese milano.com

SHOWROOM

PIAZZA SAN NAZARO IN BROLO 15

20122 MILANO

T. +39.02.58304150

F. +39.02.58433350

showroomdanese@artemide.com

DANESE



MILANO | Artemide®

VIA BERGAMO 18

20010 PREGNANA MILANESE (MI) ITALY

T. +39.02.935181 - 935261

Numero Verde 800 834 093 (from Italy only)

© OCTOBER 2016 DANESE

DANESE reserves the right to change, at any time and without prior warning, the technical specification of any product illustrated in this instruction.

cod. DS0014BIS