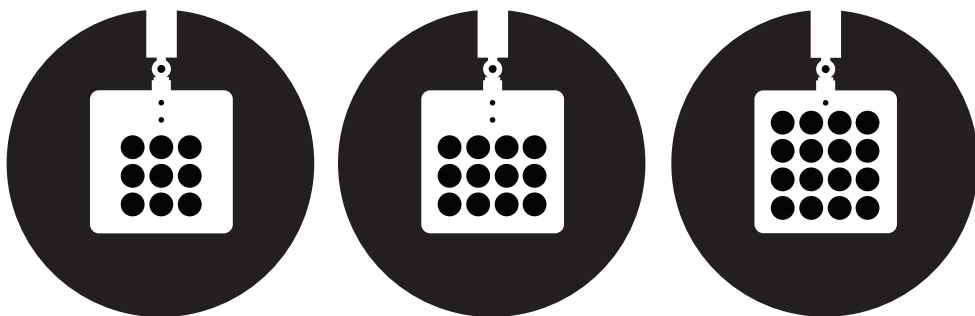


# UNA PRO

semi-recessed

Carlotta de Bevilacqua | 2010

DANESE  
  
MILANO



PATENT PENDING N° MI2010A000185



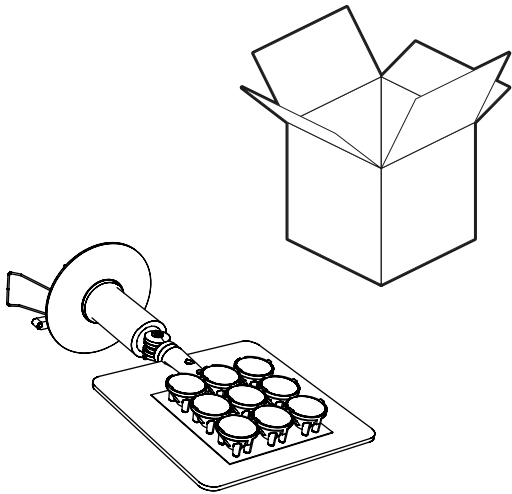
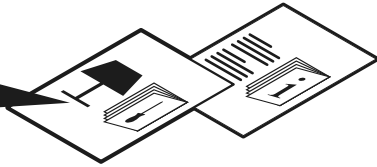
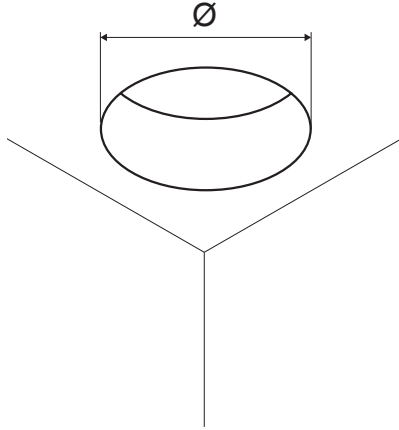


Fig. 1



D. 80 mm

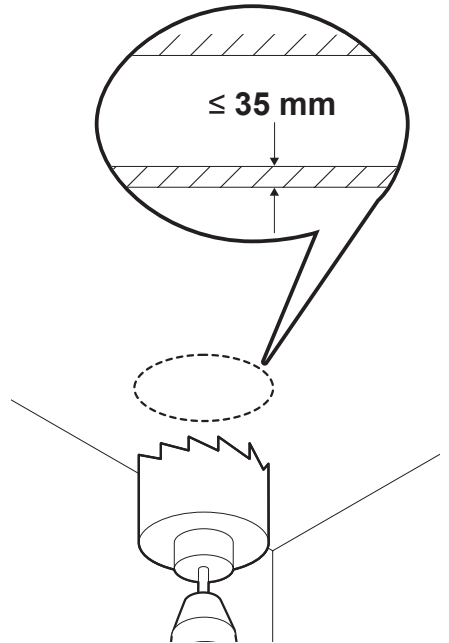
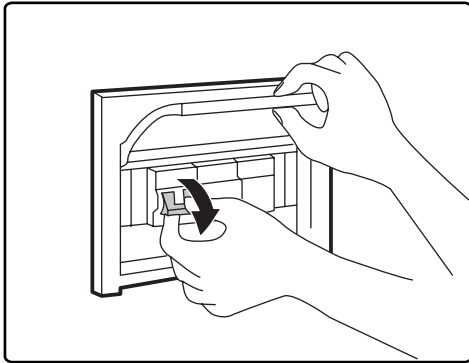
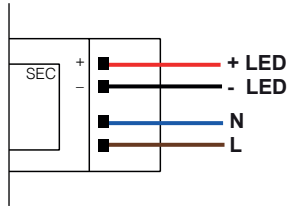
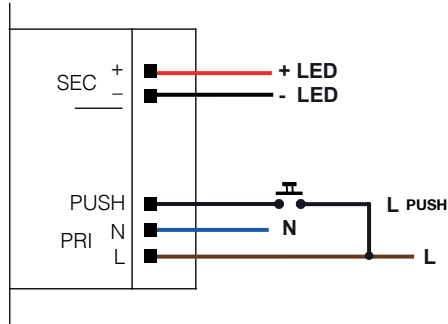


Fig. 2

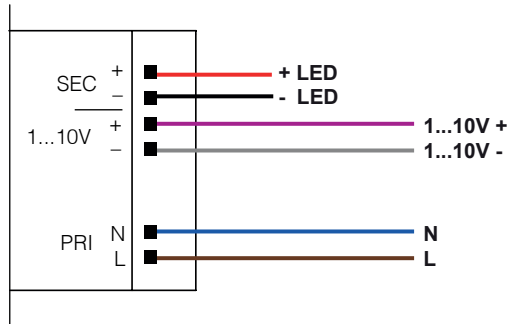
### ON / OFF (Standard version)



### PUSH (Special dimmable version)



### 1..10V (Special dimmable version)



### DALI (Special dimmable version)

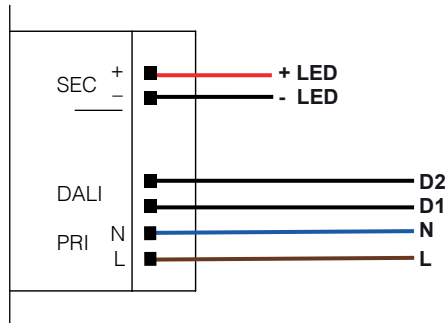


Fig. 3

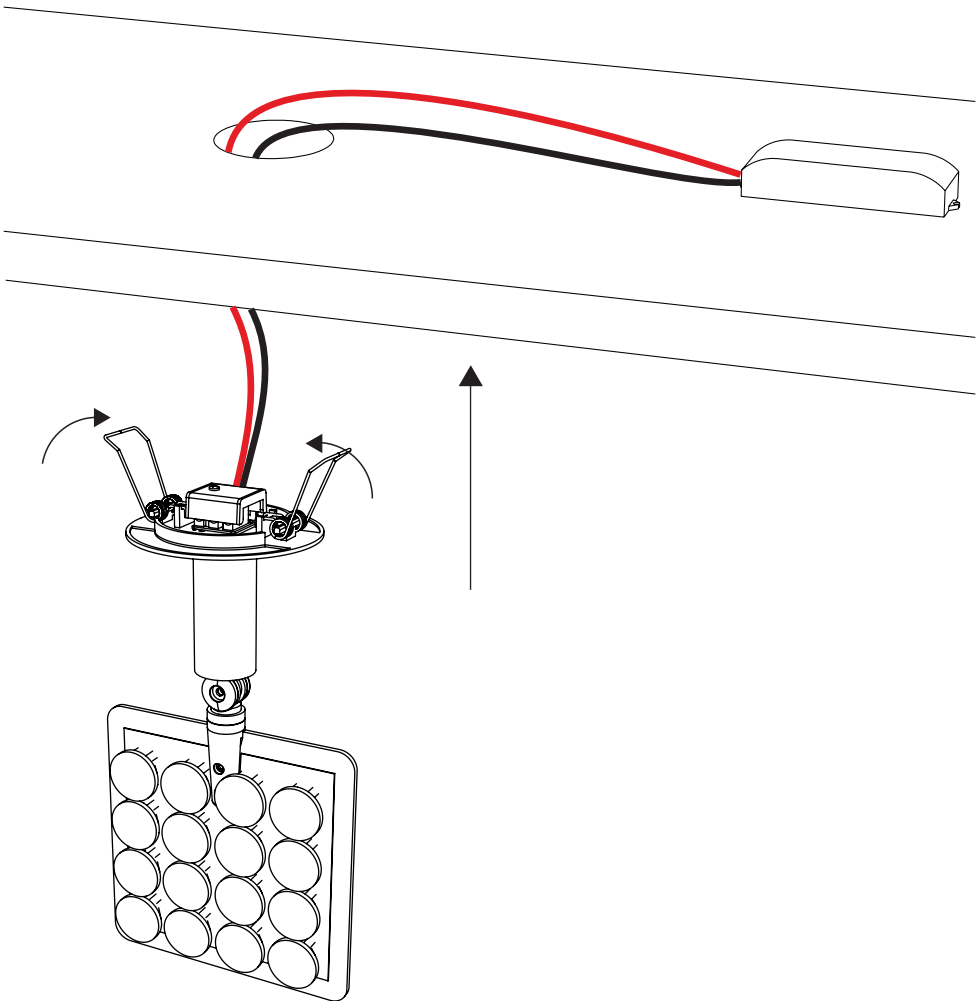


Fig. 4

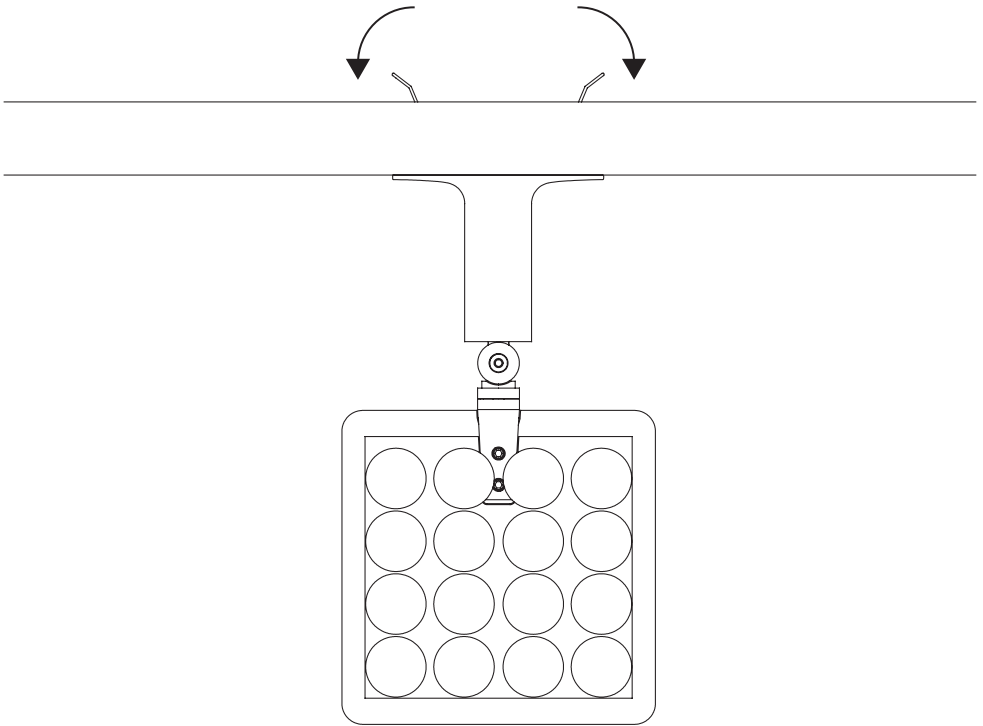
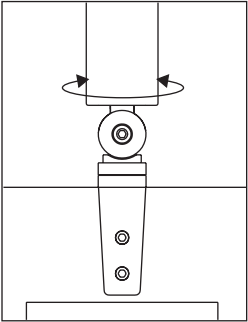
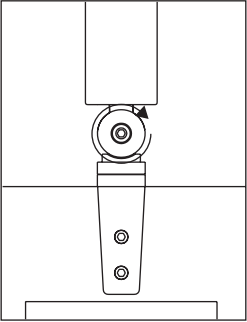


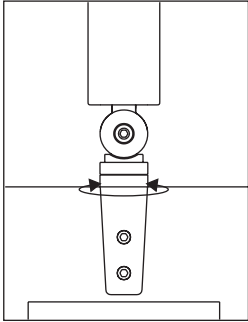
Fig. 5



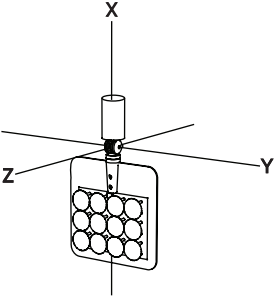
358°



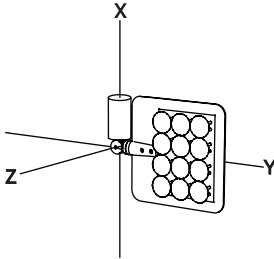
180°



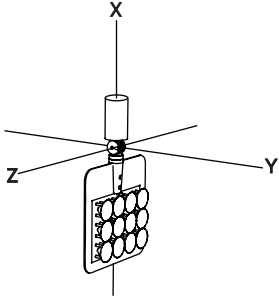
358°



358°

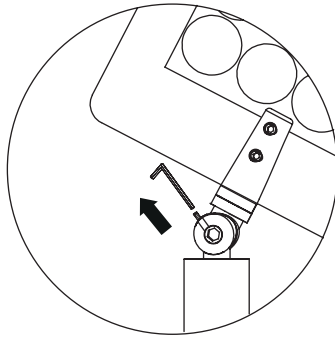


180°

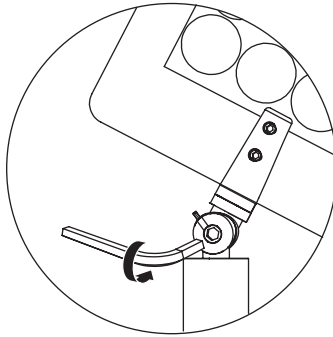


358°

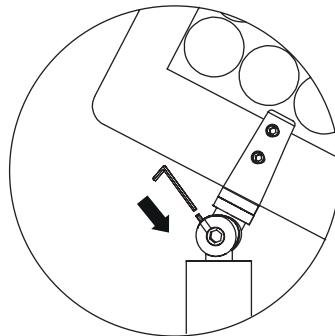
**Fig. 6**



**6.A**

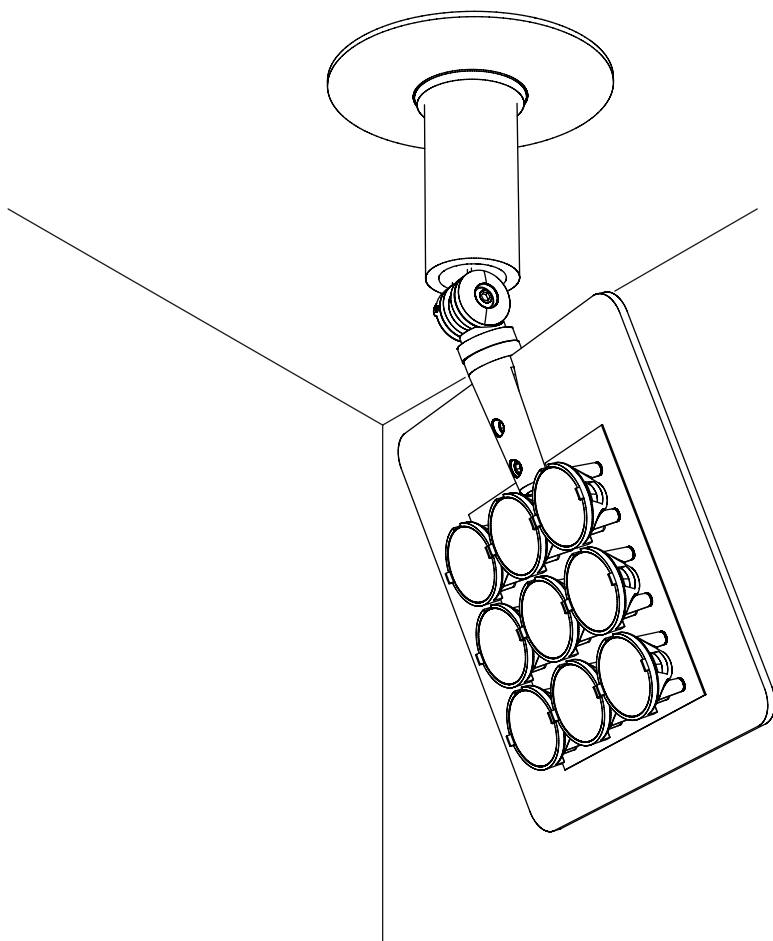


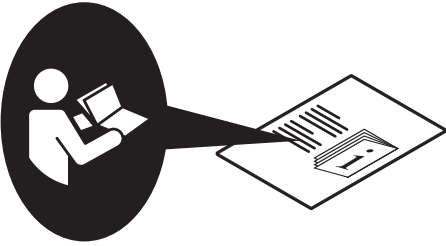
**6.B**



**6.C**









## DANESE

---

VIA ANTONIO CANOVA 34

---

20145 MILANO

---

T. +39.02.349611

F. +39.02.34538211

info@danese milano.com

www.danese milano.com

## SHOWROOM

---

PIAZZA SAN NAZARO IN BROLO 15

---

20122 MILANO

---

T. +39.02.58304150

F. +39.02.58433350

showroomdanese@artemide.com

# DANESE



# MILANO | Artemide®

VIA BERGAMO 18

---

20010 PREGNANA MILANESE (MI) ITALY

---

T. +39.02.935181 - 935261

Numero Verde 800 834 093 (from Italy only)

© MAY 2016 DANESE

---

DANESE reserves the right to change, at any time and without prior warning, the technical specification of any product illustrated in this instruction.

cod. DS0014GIS