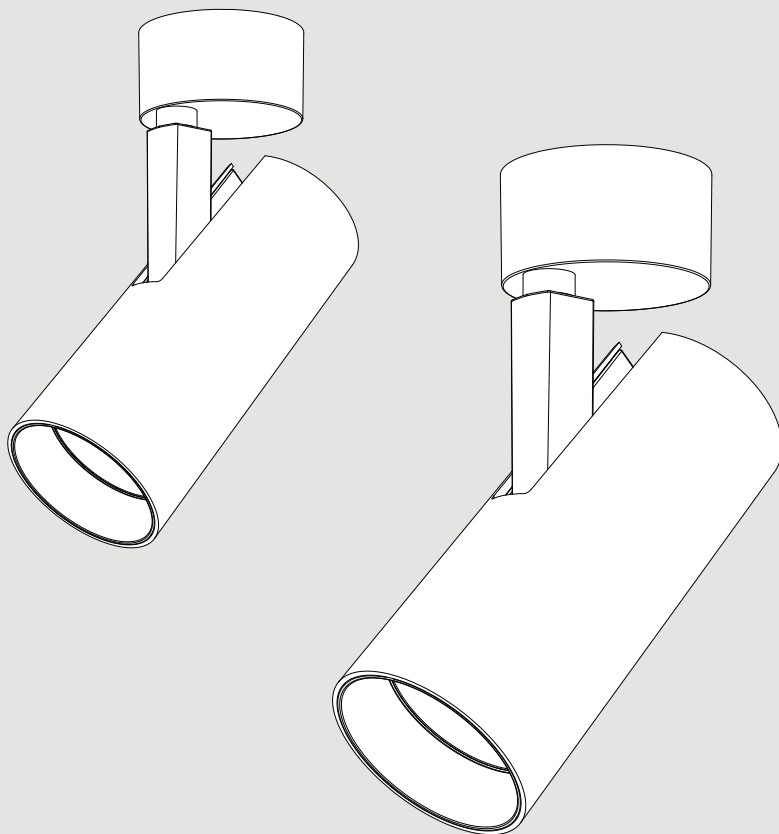


VECTOR 40/55 CEILING

design

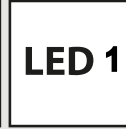
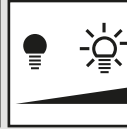
Carlotta de Bevilacqua





i

VECTOR 55

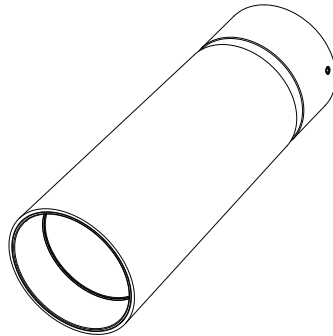
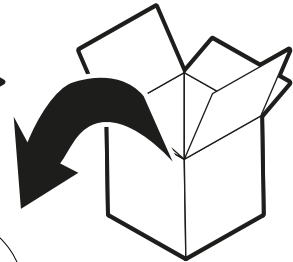
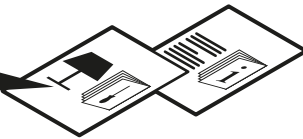
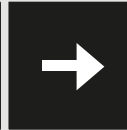
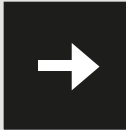
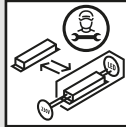
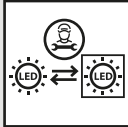
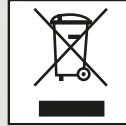


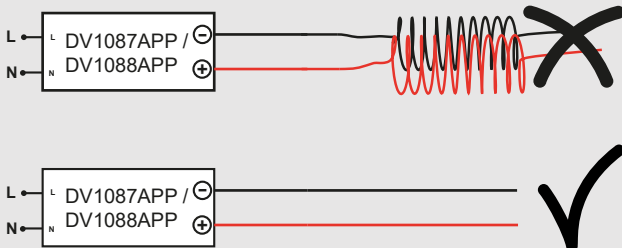
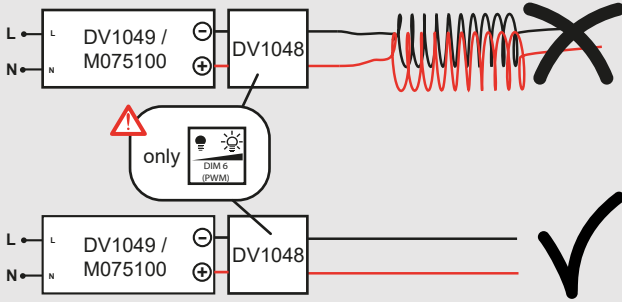
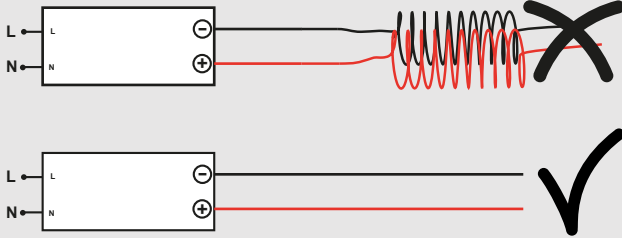
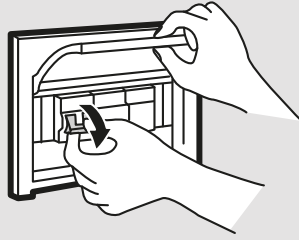
VECTOR 40

VECTOR 40



	LED1 from Dthr (m)		
	2700K	3000K	4000K
SP	1,6	1,6	2,15
FL	LED1	LED1	1,75
WF	LED1	LED1	1,75





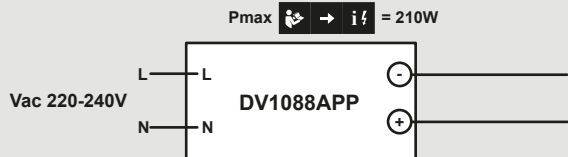
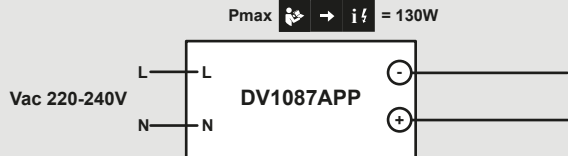
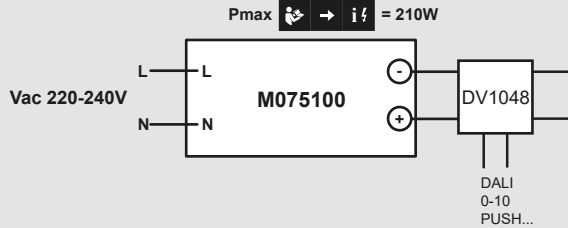
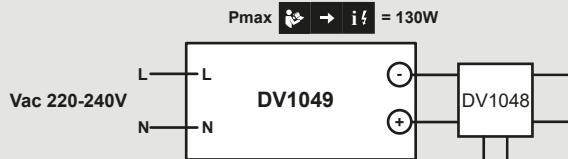
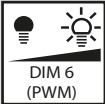
i



VECTOR 40 P = 9 Watt

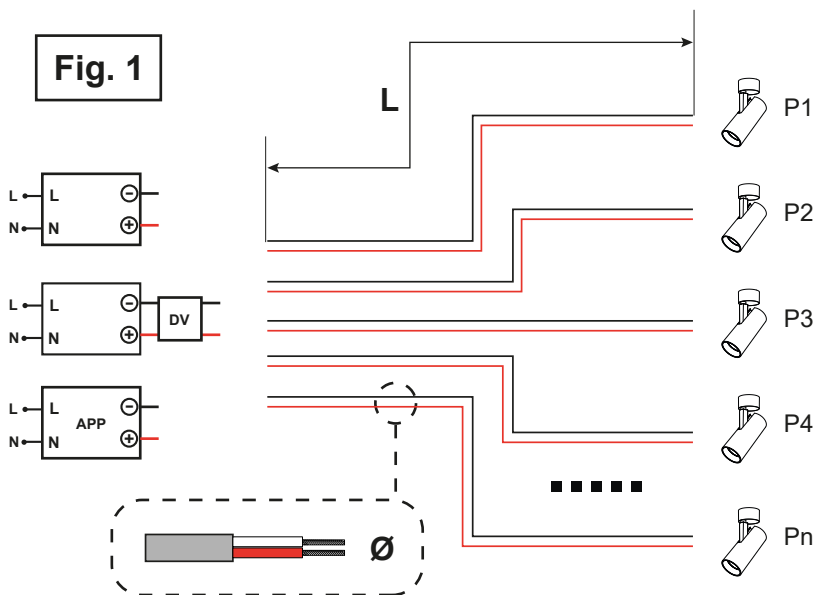


VECTOR 55 P = 24 Watt



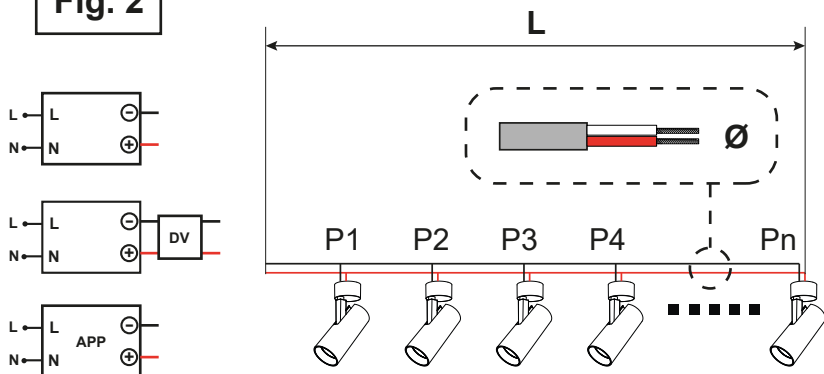
ND / DIM / APP	Pmax [W]	Max # V40	Max # V55	Ø [mm ²]	L [m]	Fig.
	130	14		1.5	2-25	1
			5	1.5	2-15	1
			5	2.5	2-25	1
	210	22		1.5	2-25	1
			8	1.5	2-15	1
			8	2.5	2-25	1
	Pmax [W]	Max # V40	Max # V55	Ø [mm ²]	L [m]	Fig.
	130	10		2.5	2-25	2
		14		4	2-15	2
14		6		2-25	2	
		3	2.5	2-25	2	
		5	4	2-15	2	
		5	6	2-25	2	
210	14		2.5	2-25	2	
	22		4	2-15	2	
	22		6	2-25	2	
		5	2.5	2-25	2	
		8	4	2-15	2	
		8	6	2-25	2	

Fig. 1



$$P1 + P2 + P3 + P4 + \dots + Pn \leq P \text{ Max}$$

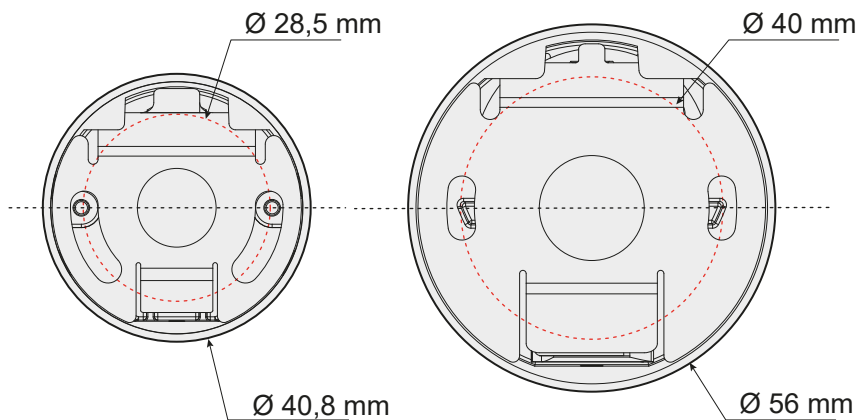
Fig. 2



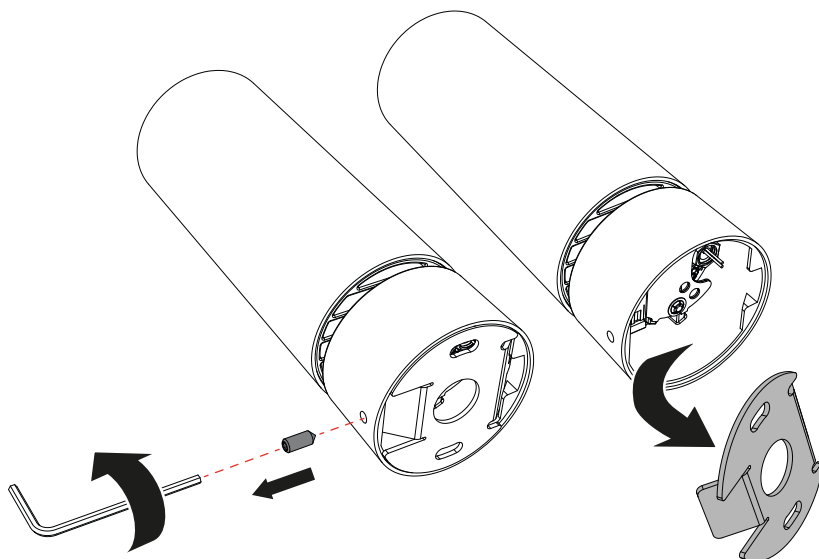
1

VECTOR 40

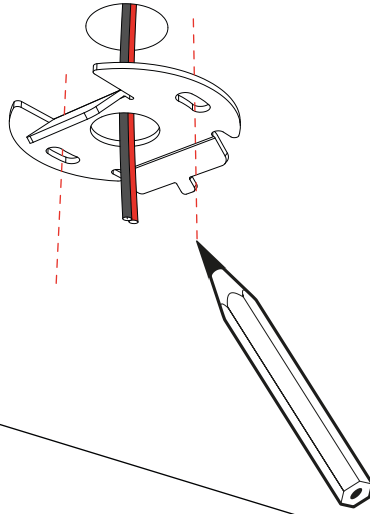
VECTOR 55



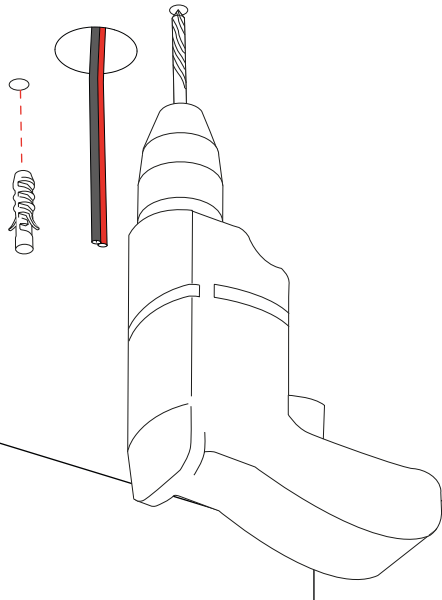
2



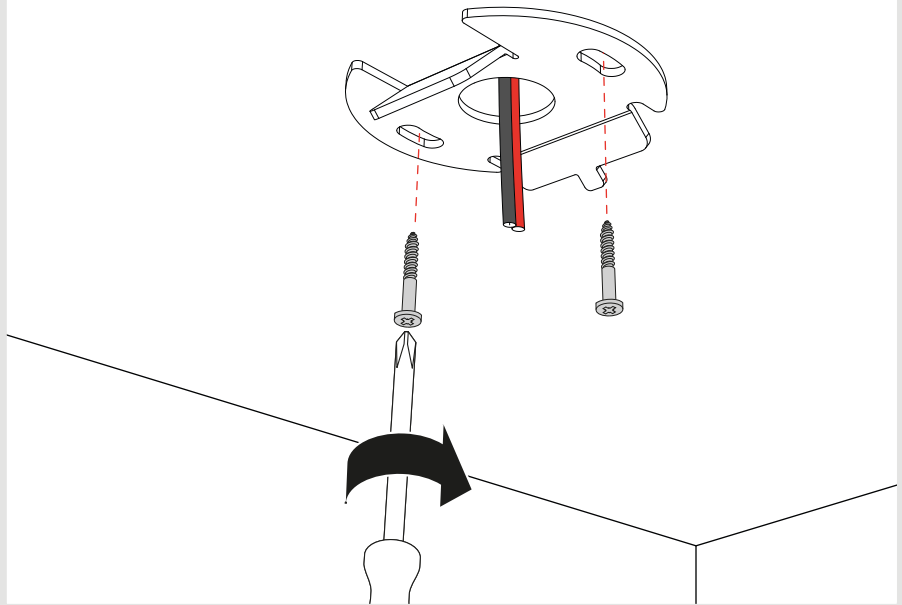
3



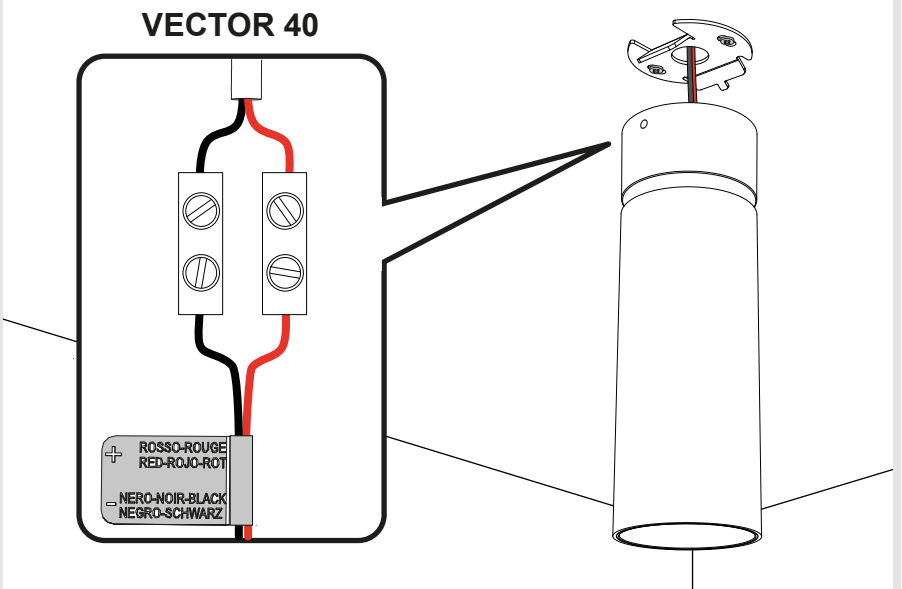
4



5

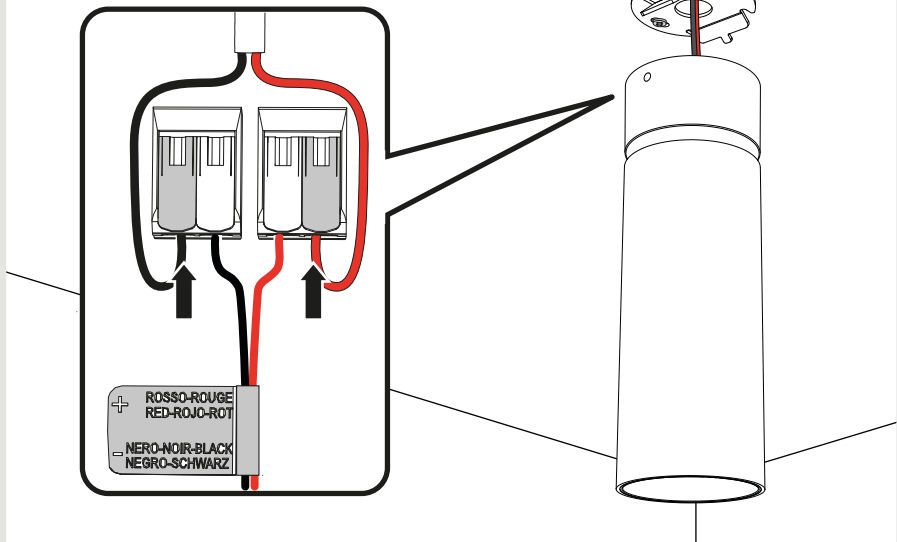


6a

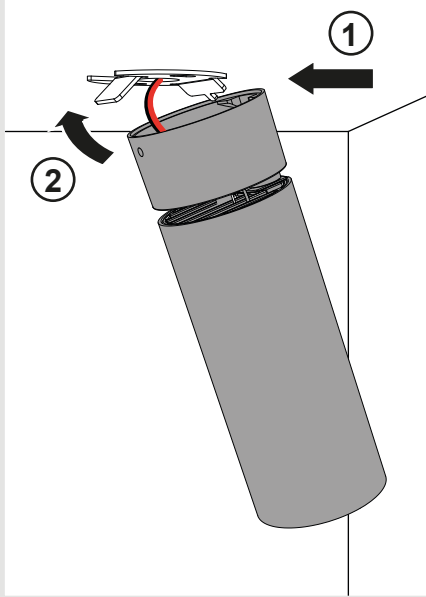


6b

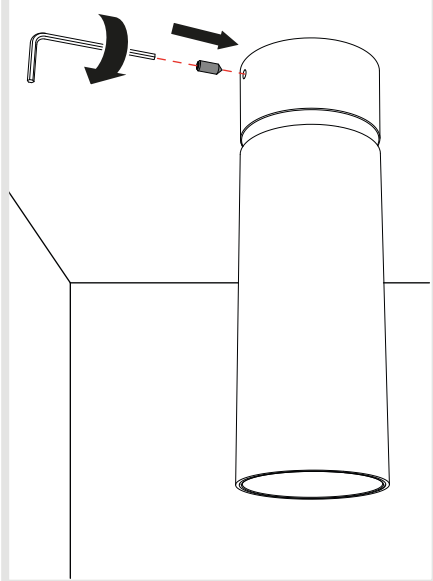
VECTOR 55



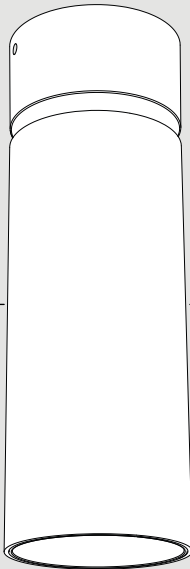
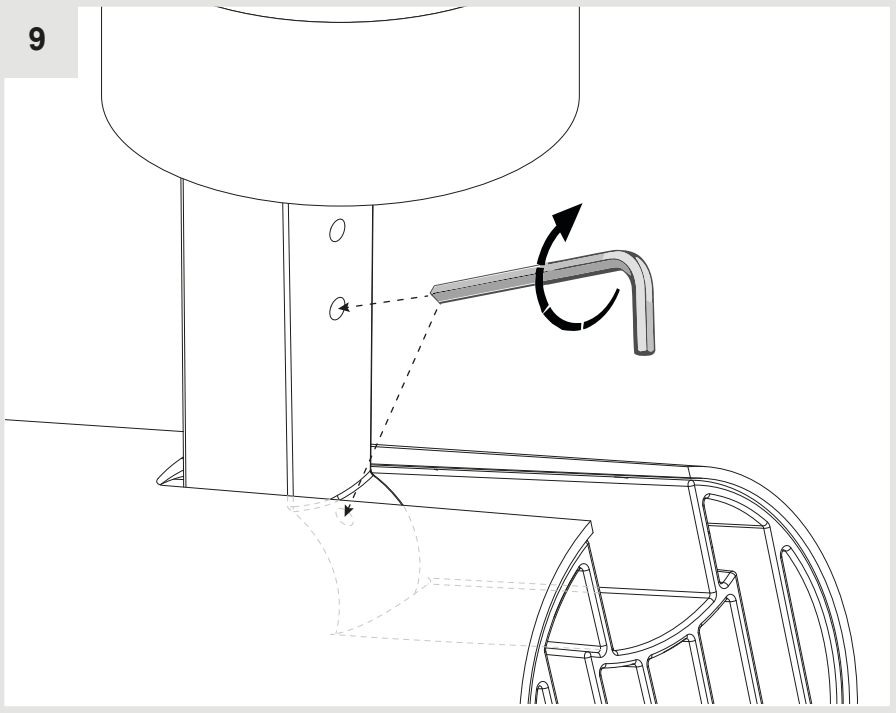
7



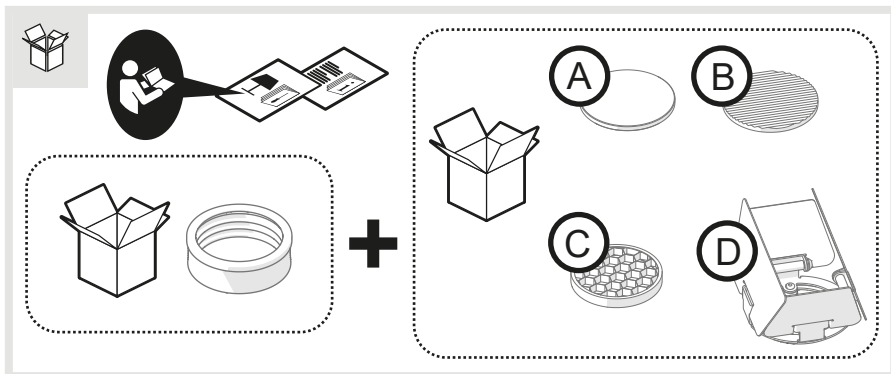
8



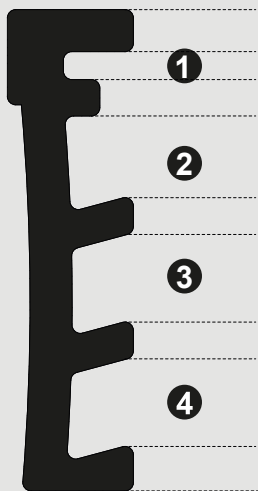
9



VECTOR 40/55 ACCESSORIES

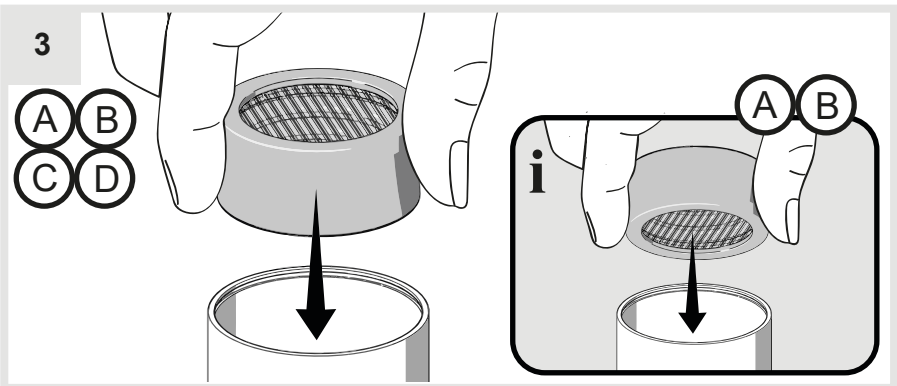
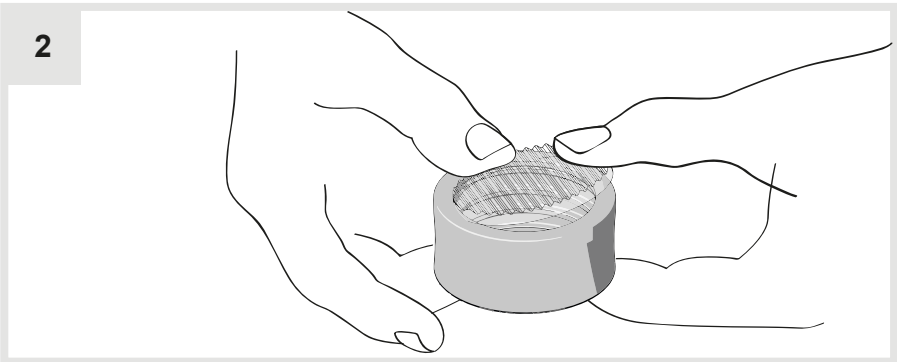
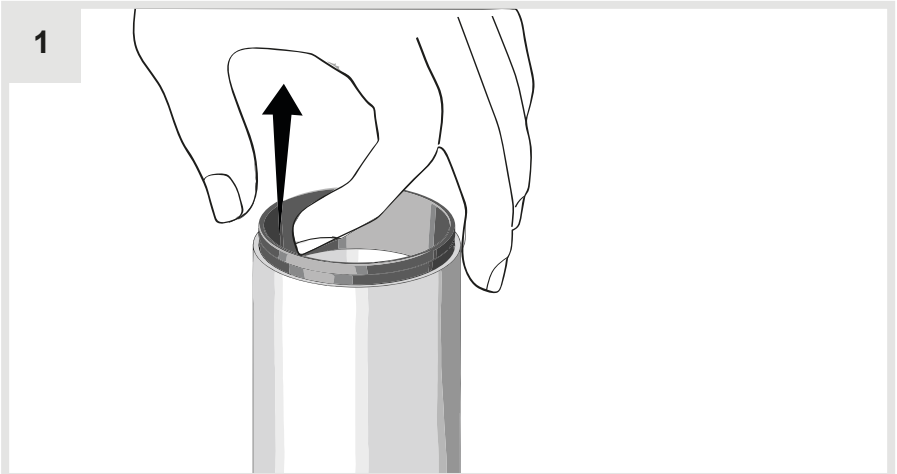


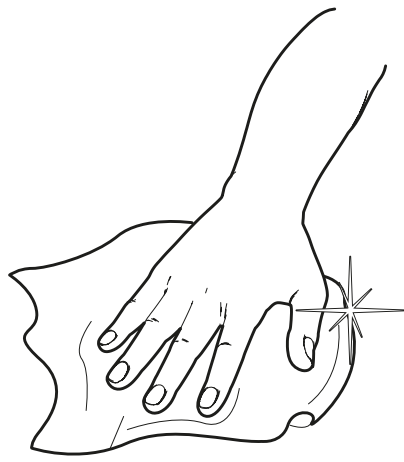
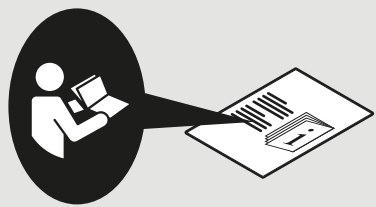
i



	A	B	C	VECTOR 55 D
1				X
2	X	X	X	
3	X	X		
4	X	X		

VECTOR 40/55 ACCESSORIES





Artemide®



Artemide

via Bergamo, 18
20006 Pregnana M.se (MI)
ITALIA

tel. +39 02 935 181
fax +39 02 935 90 254
fax +39 02 935 90 496

www.artemide.com

VAT IT00846890150

cod. Y513001420E