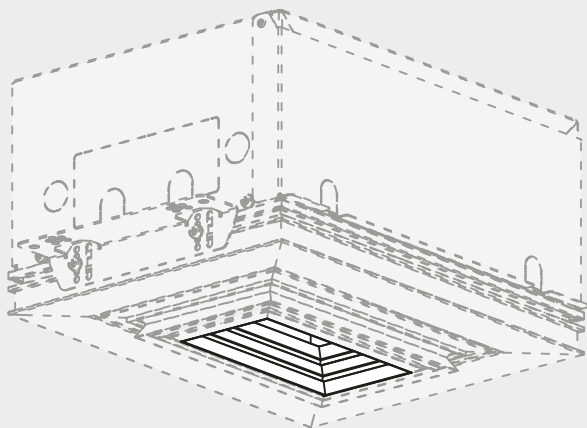
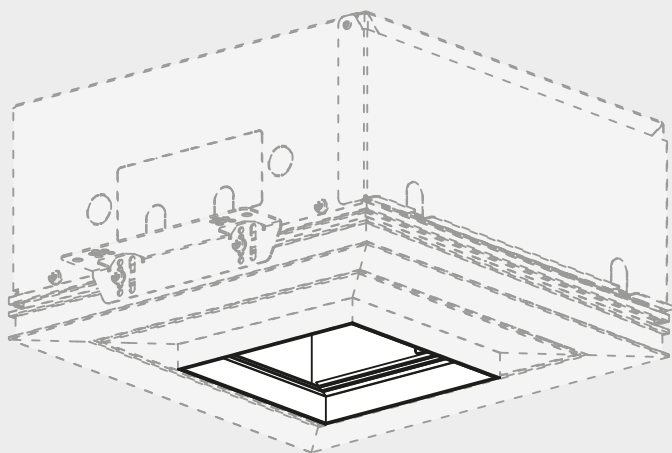


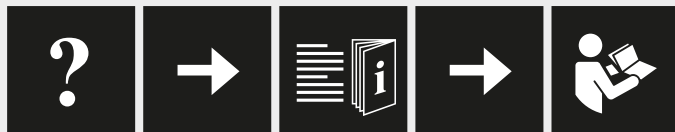
## VECTOR BOX

design  
Carlotta de Bevilacqua



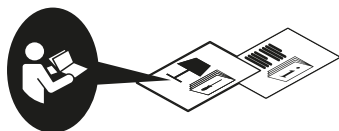
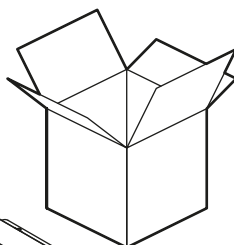
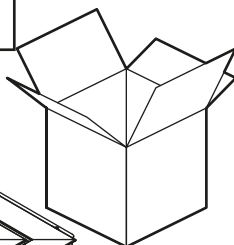
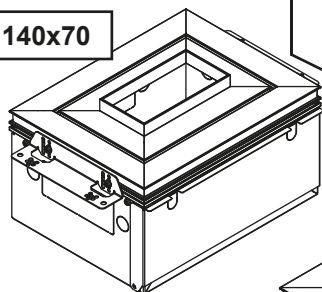


**i**

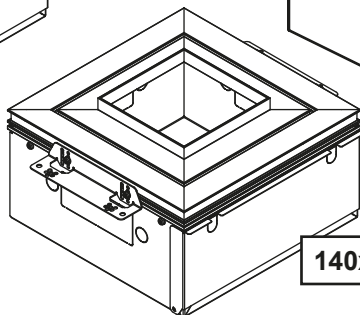


### VECTOR BOX TRIM

140x70

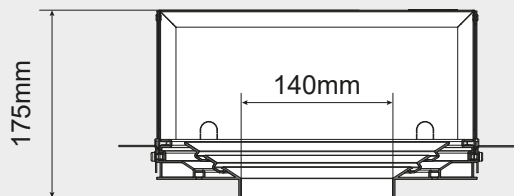


140x140

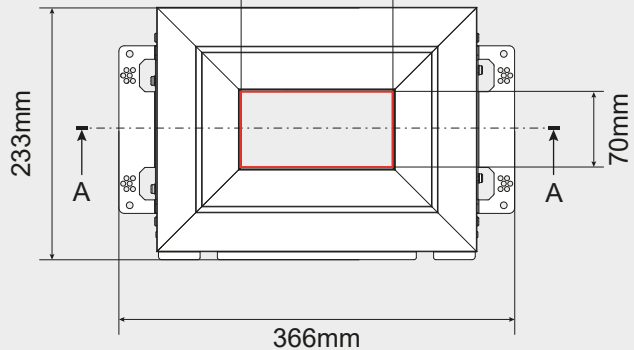


**i**

Sect. A-A

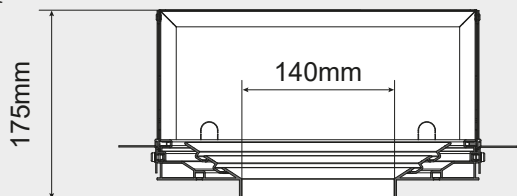


**VECTOR BOX  
TRIM  
140x70**

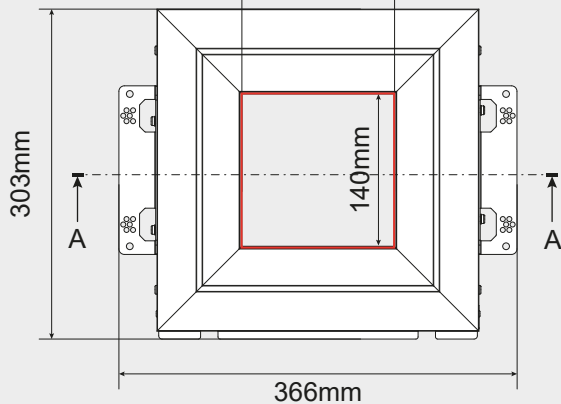


**i**

Sect. A-A



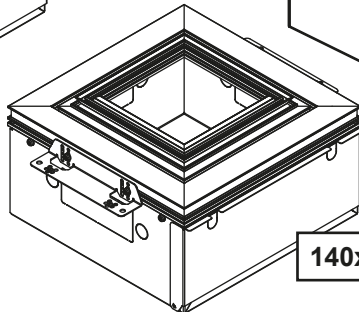
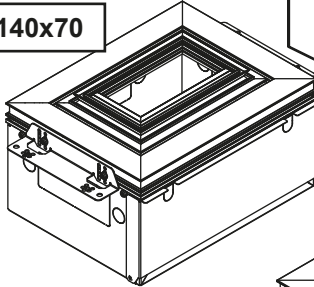
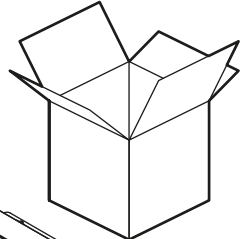
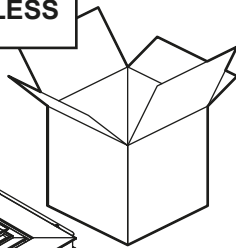
**VECTOR BOX  
TRIM  
140x140**



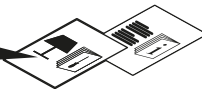


# VECTOR BOX TRIMLESS

140x70

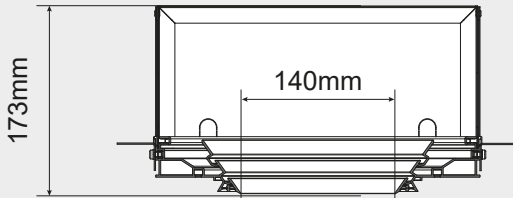


140x140

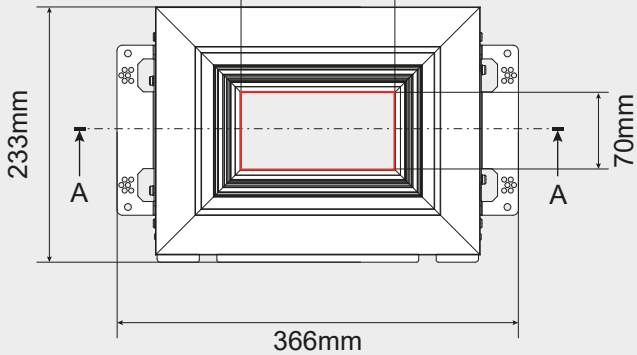


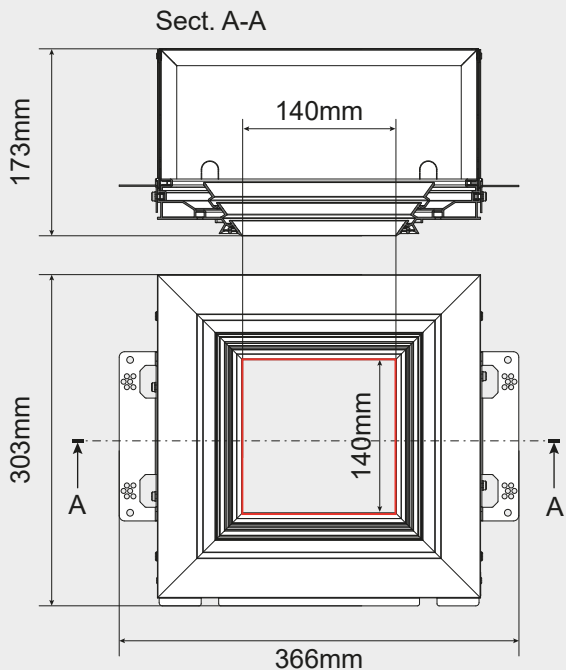
**i**

Sect. A-A

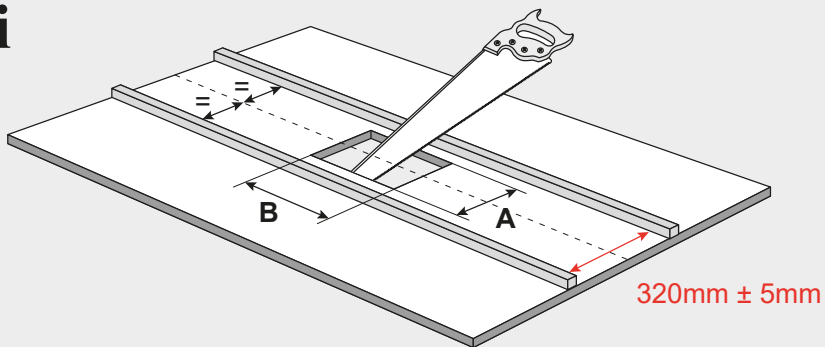


**VECTOR BOX  
TRIMLESS  
140x70**



**i**

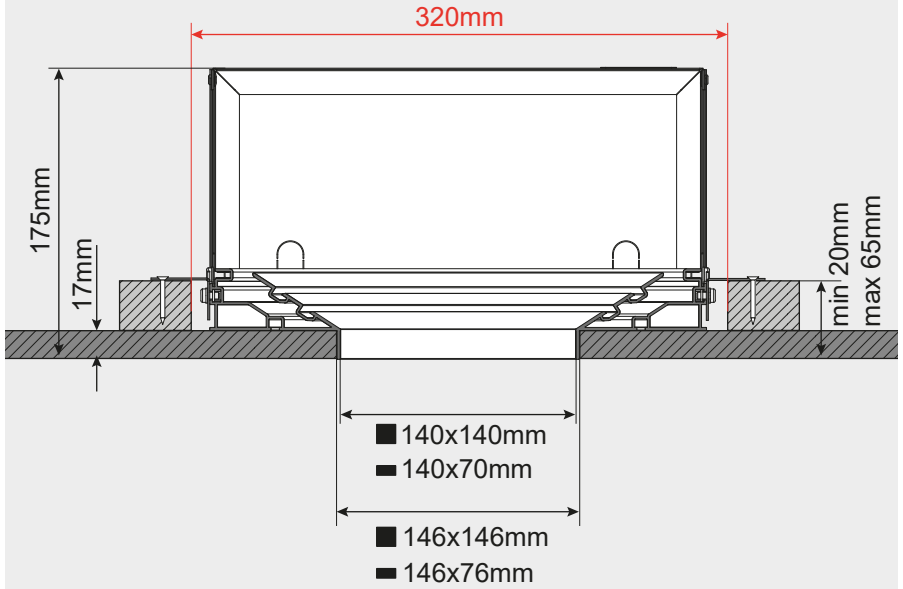
**VECTOR BOX  
TRIMLESS  
140x140**

**i**

VECTOR BOX TRIM		
	A	B
<b>140x140</b>	146mm	146mm
<b>140x70</b>	146mm	76mm
VECTOR BOX TRIMLESS		
	A	B
<b>140x140</b>	192mm	192mm
<b>140x70</b>	192mm	122mm

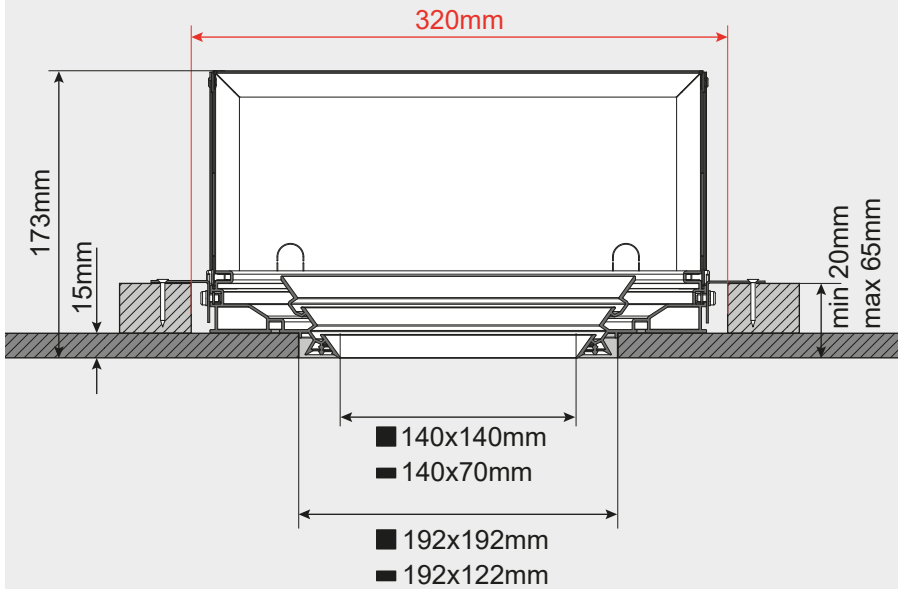
**i**

### VECTOR BOX TRIM



**i**

### VECTOR BOX TRIMLESS



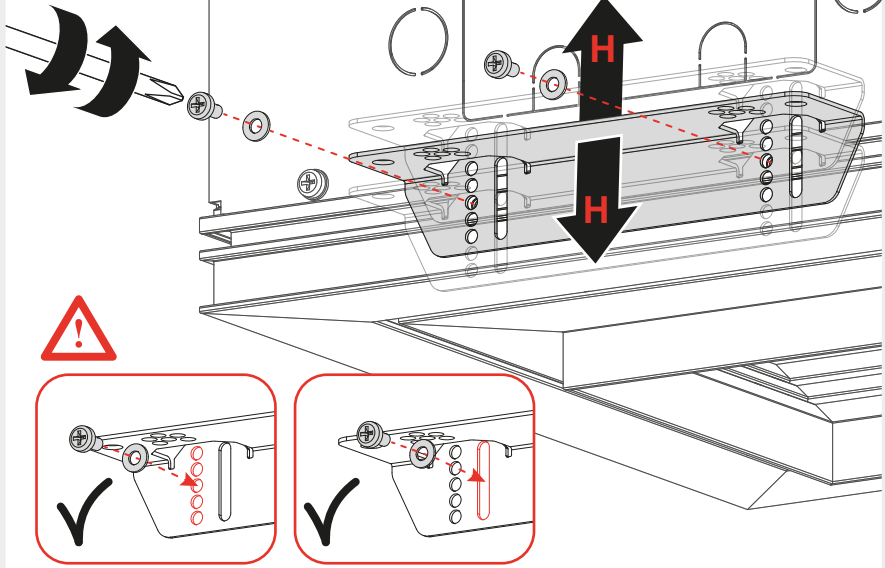
1

TRIM:

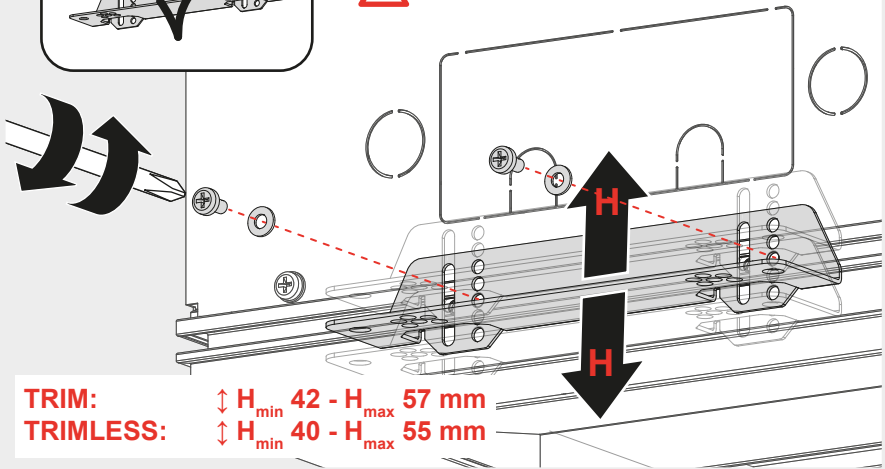
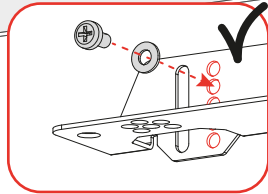
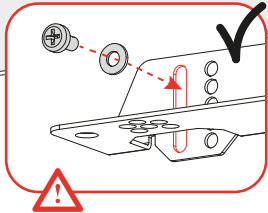
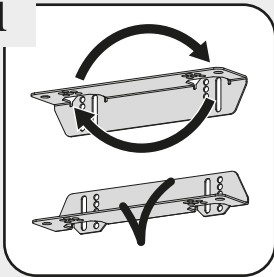
↑  $H_{\min}$  22 -  $H_{\max}$  37 mm

TRIMLESS:

↑  $H_{\min}$  20 -  $H_{\max}$  35 mm



i



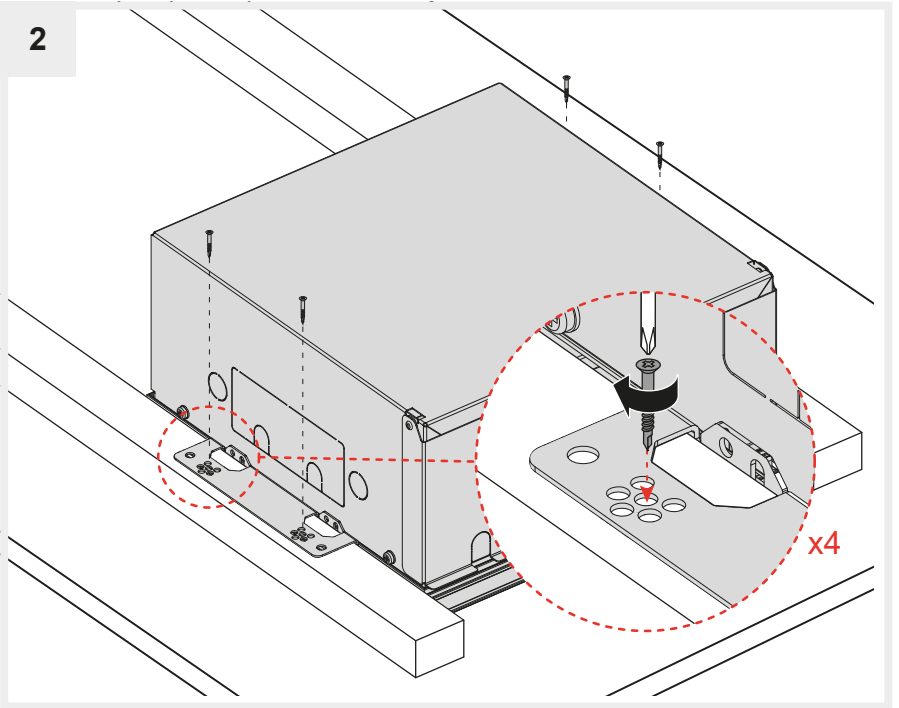
TRIM:

↑  $H_{\min}$  42 -  $H_{\max}$  57 mm

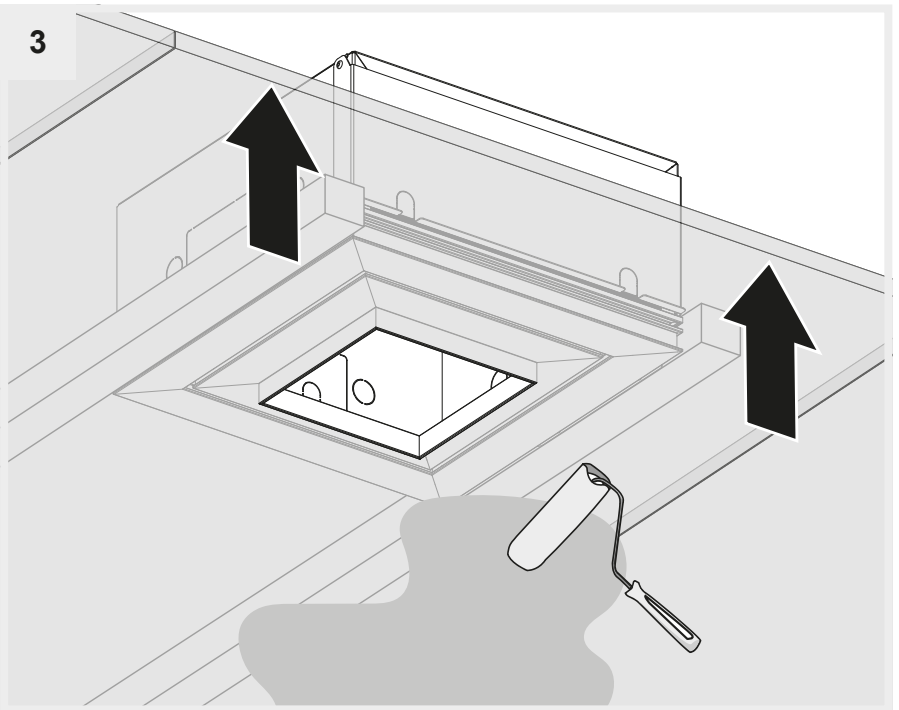
TRIMLESS:

↑  $H_{\min}$  40 -  $H_{\max}$  55 mm

2



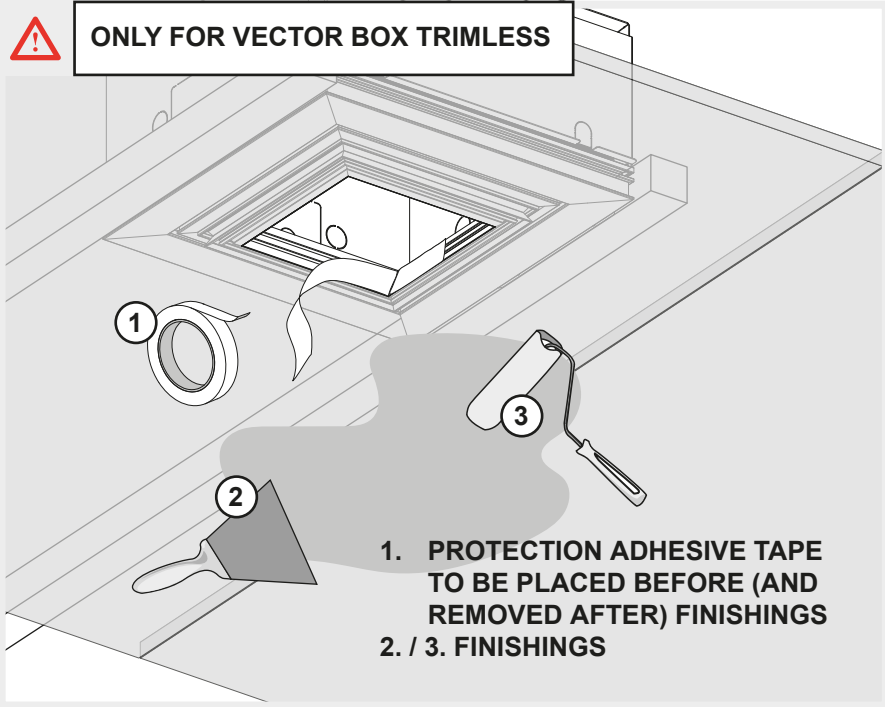
3







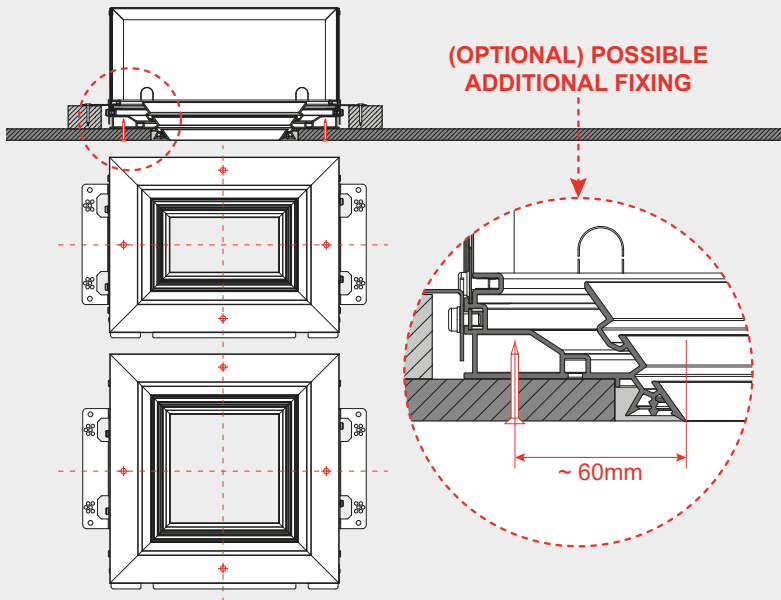
**ONLY FOR VECTOR BOX TRIMLESS**



1. PROTECTION ADHESIVE TAPE TO BE PLACED BEFORE (AND REMOVED AFTER) FINISHINGS
2. / 3. FINISHINGS

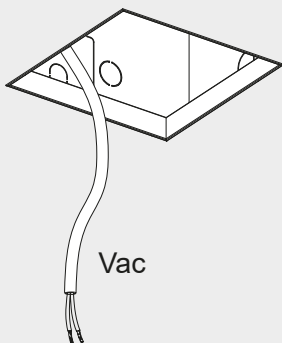


**ONLY FOR VECTOR BOX TRIMLESS**

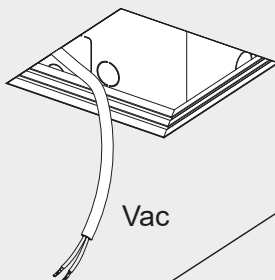


**(OPTIONAL) POSSIBLE  
ADDITIONAL FIXING**

**~ 60mm**



Vac

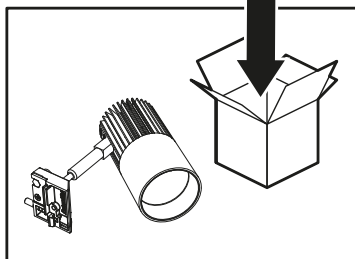
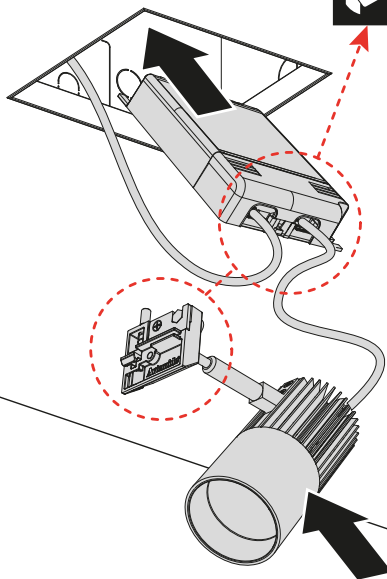


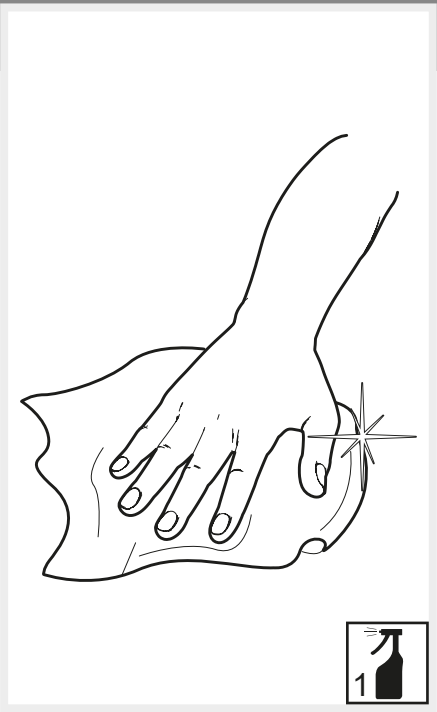
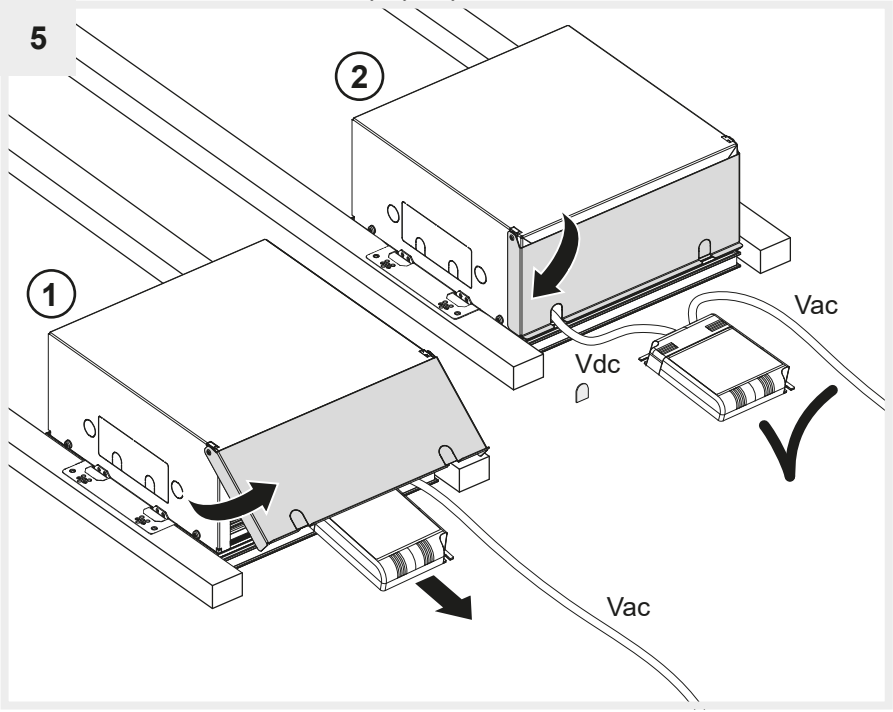
Vac

4

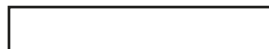


Y513001638





**Artemide®**



**Artemide**

via Bergamo, 18  
20006 Pregnana M.se (MI)  
ITALIA

tel. +39 02 935 181  
fax +39 02 935 90 254  
fax +39 02 935 90 496

[www.artemide.com](http://www.artemide.com)

VAT IT00846890150

cod. Y513001669