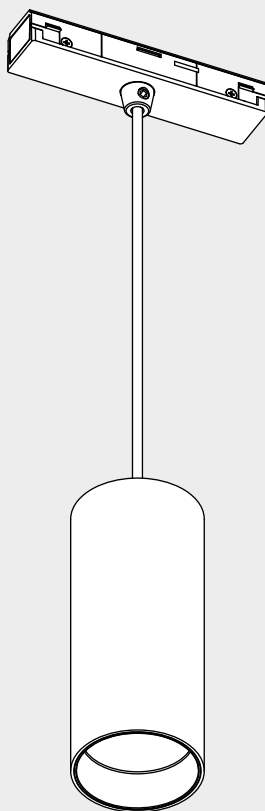
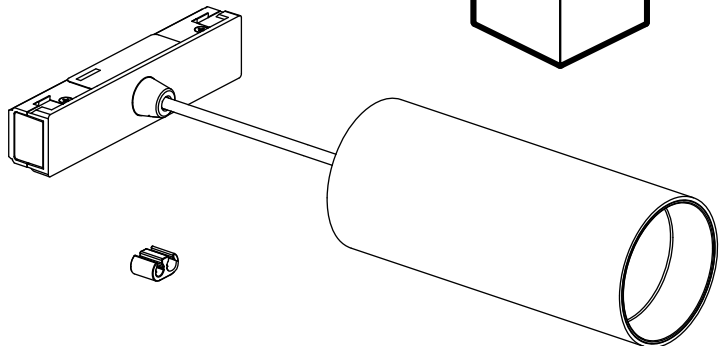
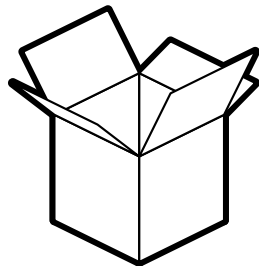
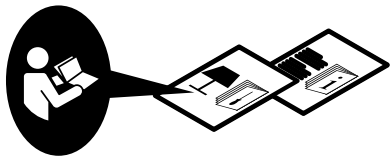
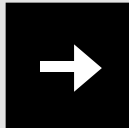
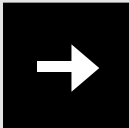
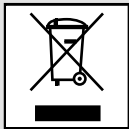
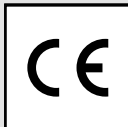


# Artemide®

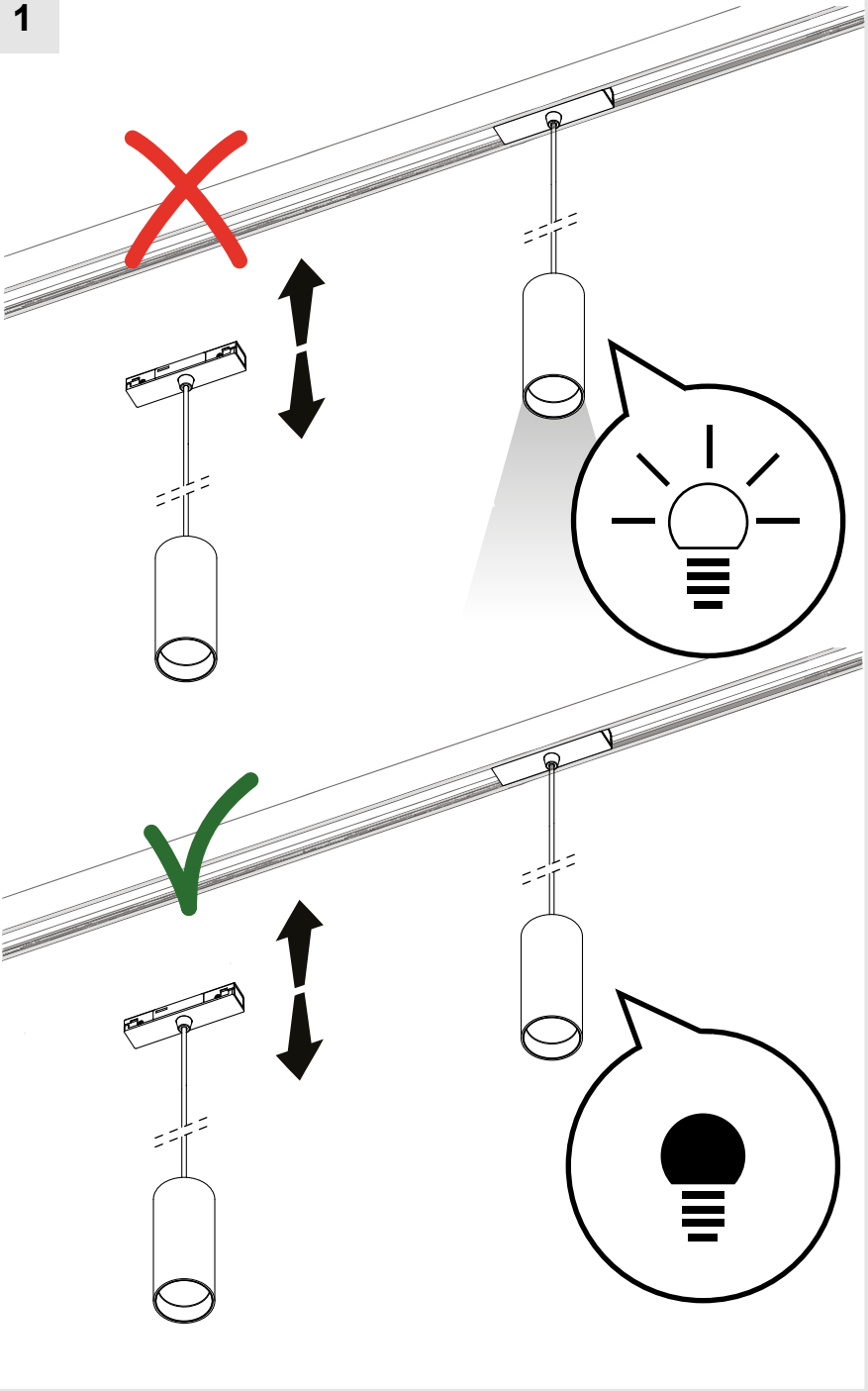
## VECTOR 55 PENDANT MAGNETIC INTEGRALIS®

design  
Carlotta de Bevilacqua

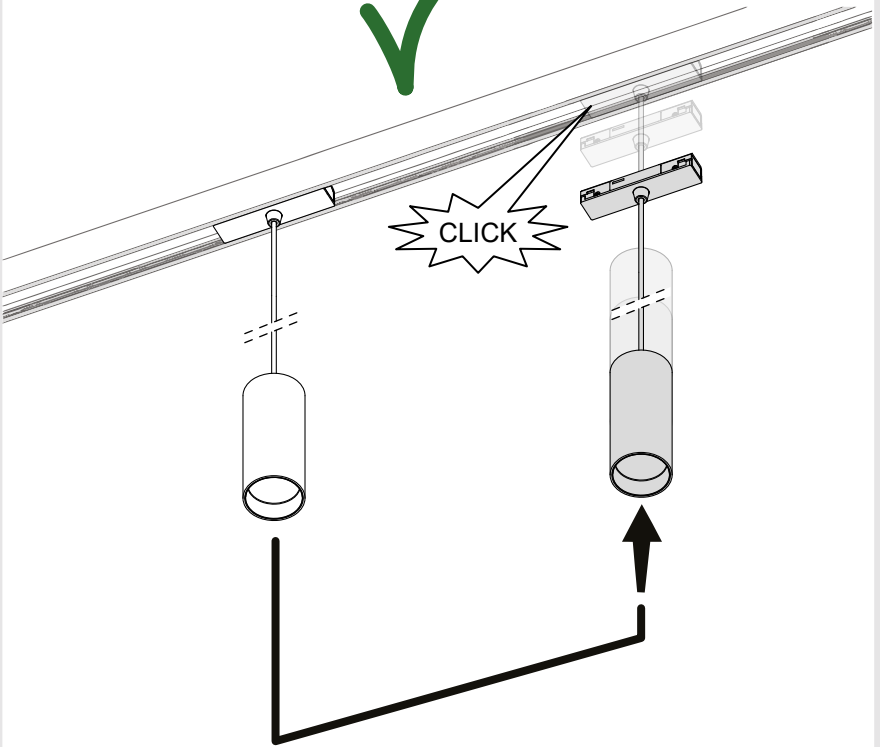
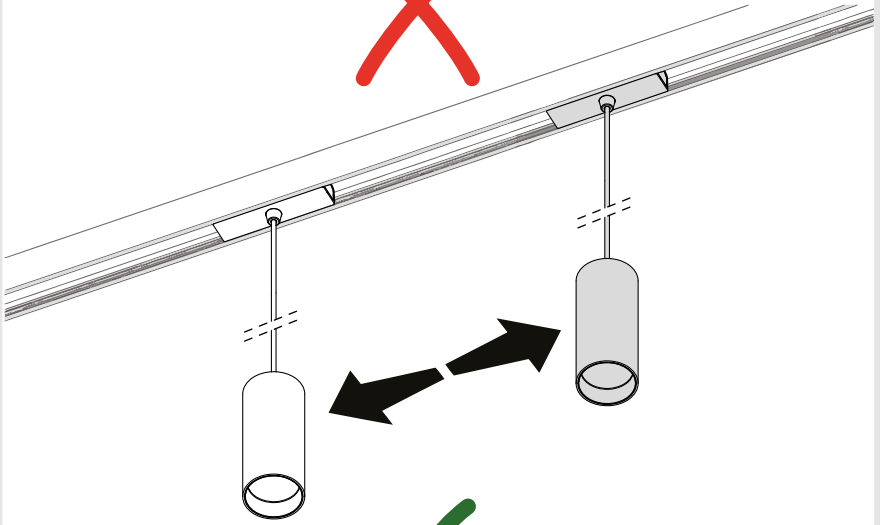




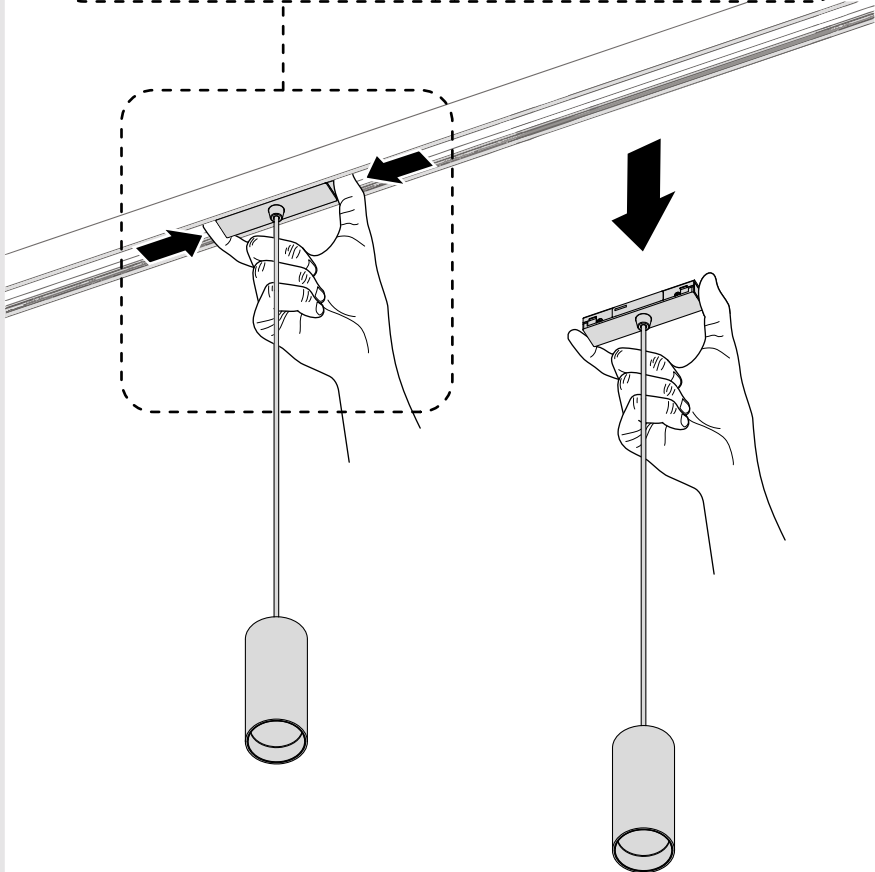
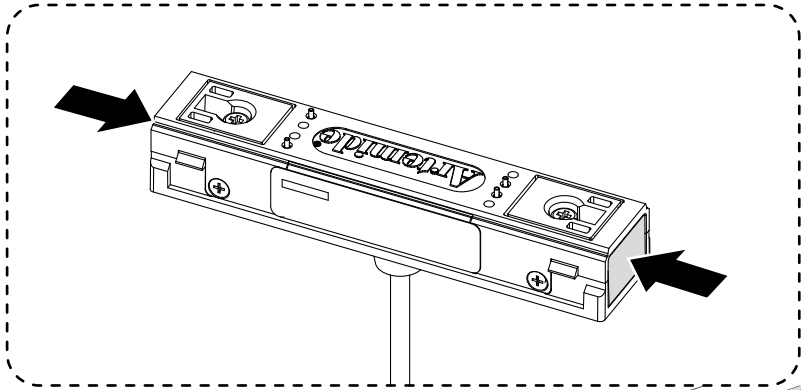
1



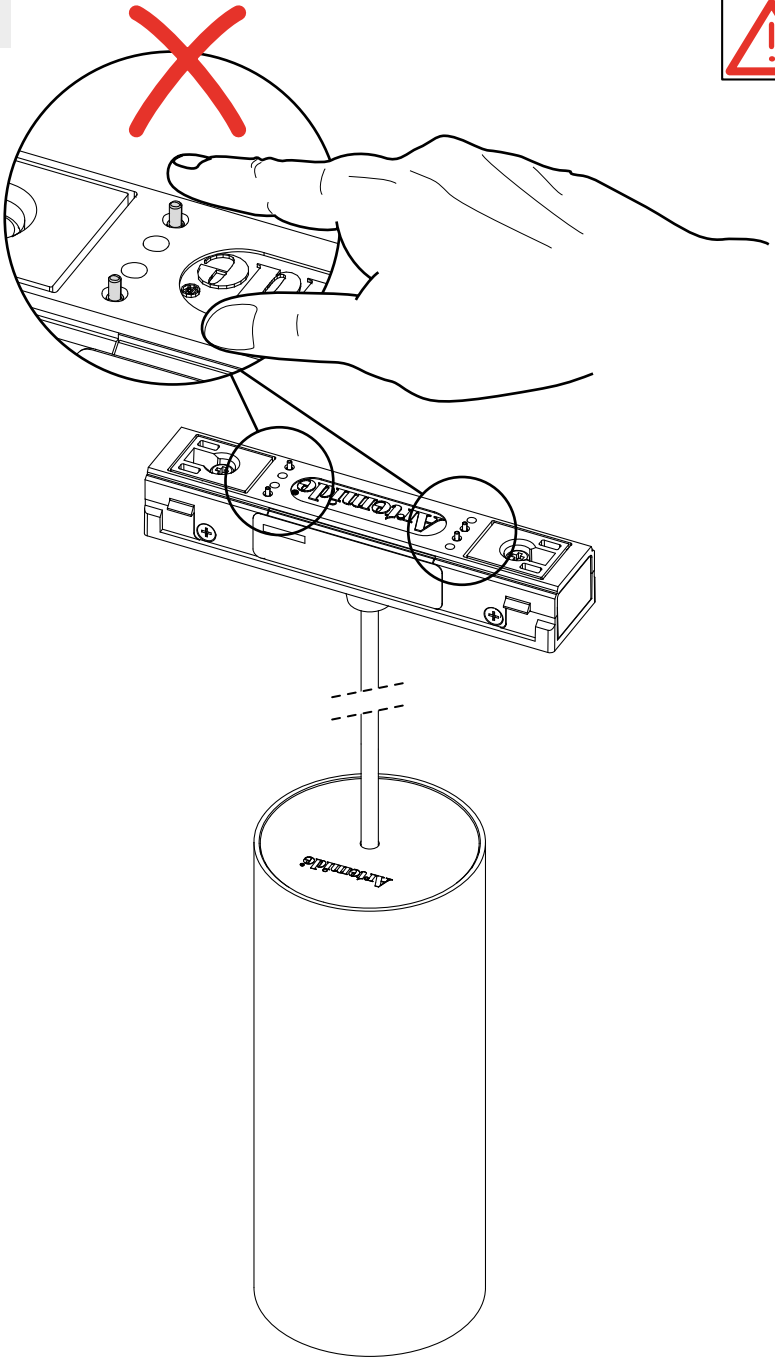
2



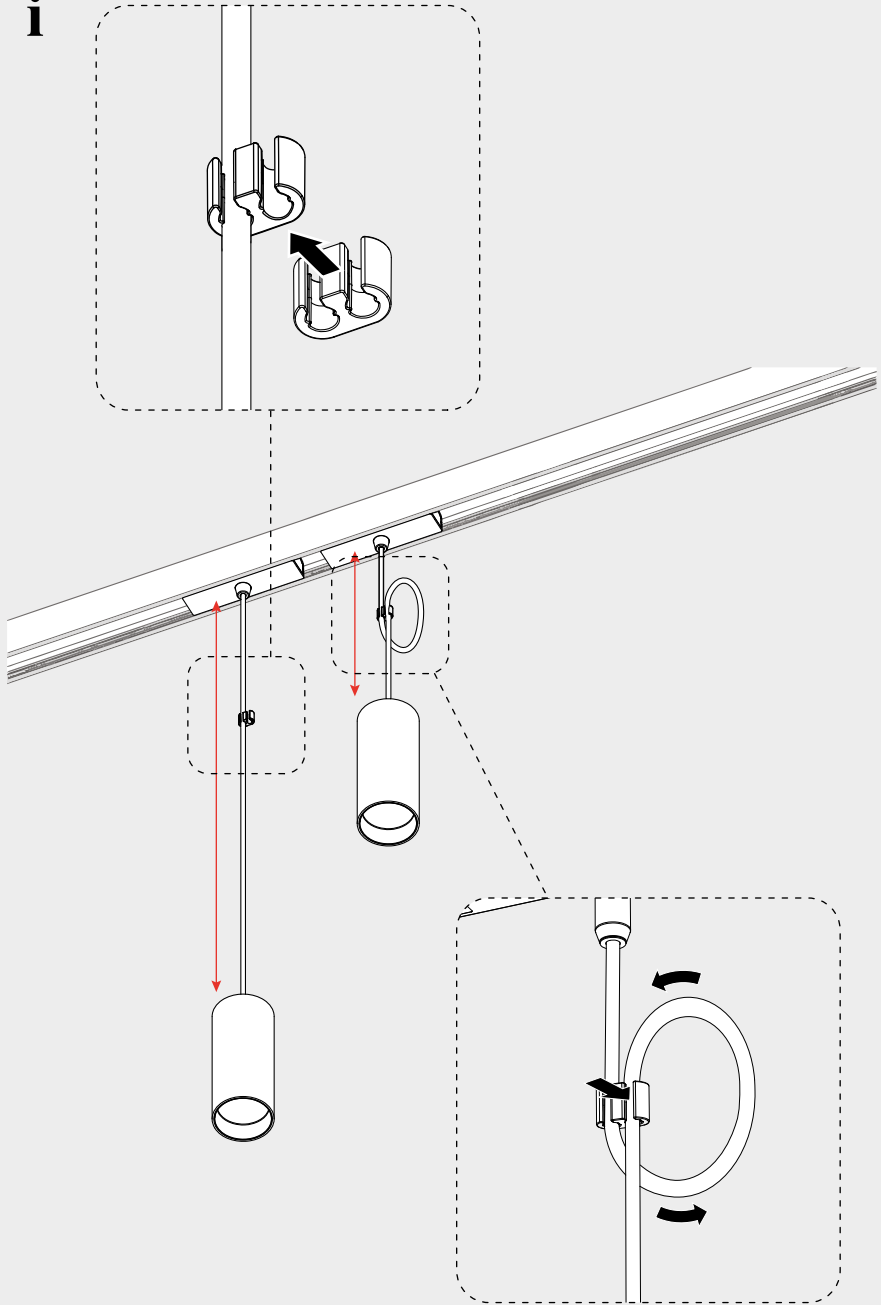
3

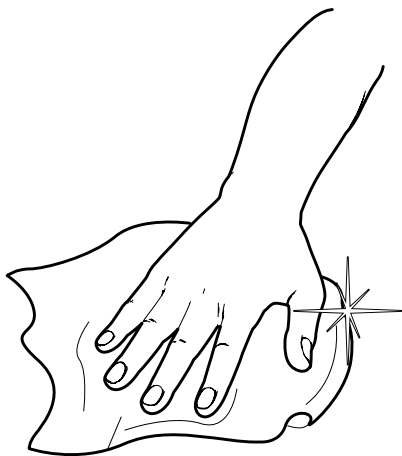
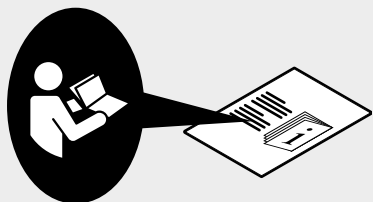


4



**i**





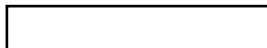








**Artemide®**



## **Artemide Spa**

via Bergamo, 18  
20010 Pregnana M.se (MI)  
ITALIA

Tel. +39 02 935 181  
Fax +39 02 935 90 254  
Fax +39 02 935 90 496

[www.artemide.com](http://www.artemide.com)

VAT IT00846890150

cod. Y513001489