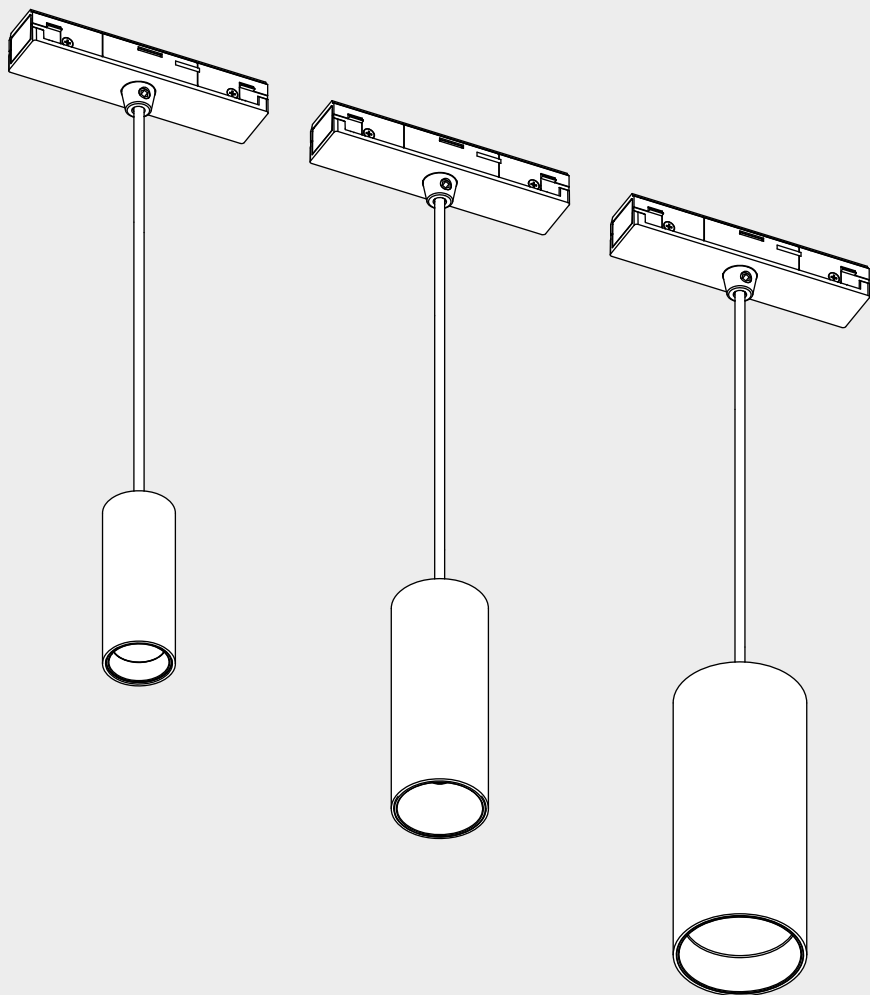


Artemide®

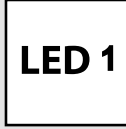
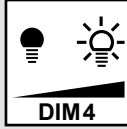
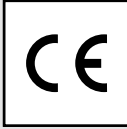
VECTOR 30/40/55 PENDANT MAGNETIC

design
Carlotta de Bevilacqua





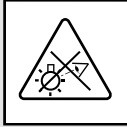
VECTOR 55



VECTOR 30/40

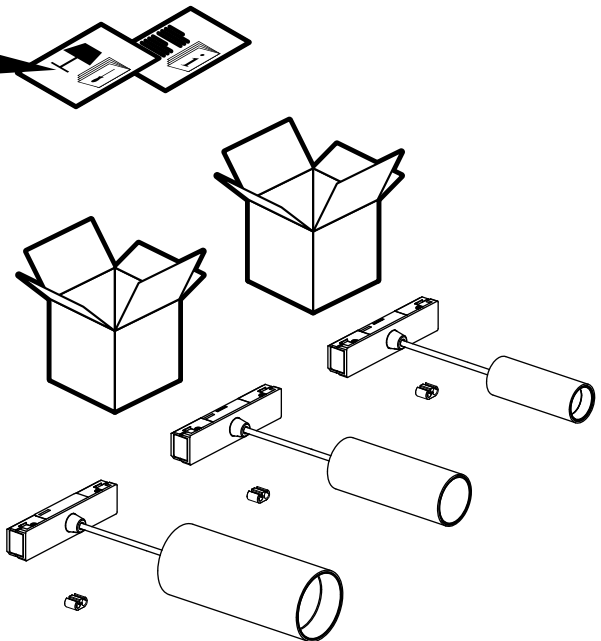
VECTOR 30

VECTOR 40

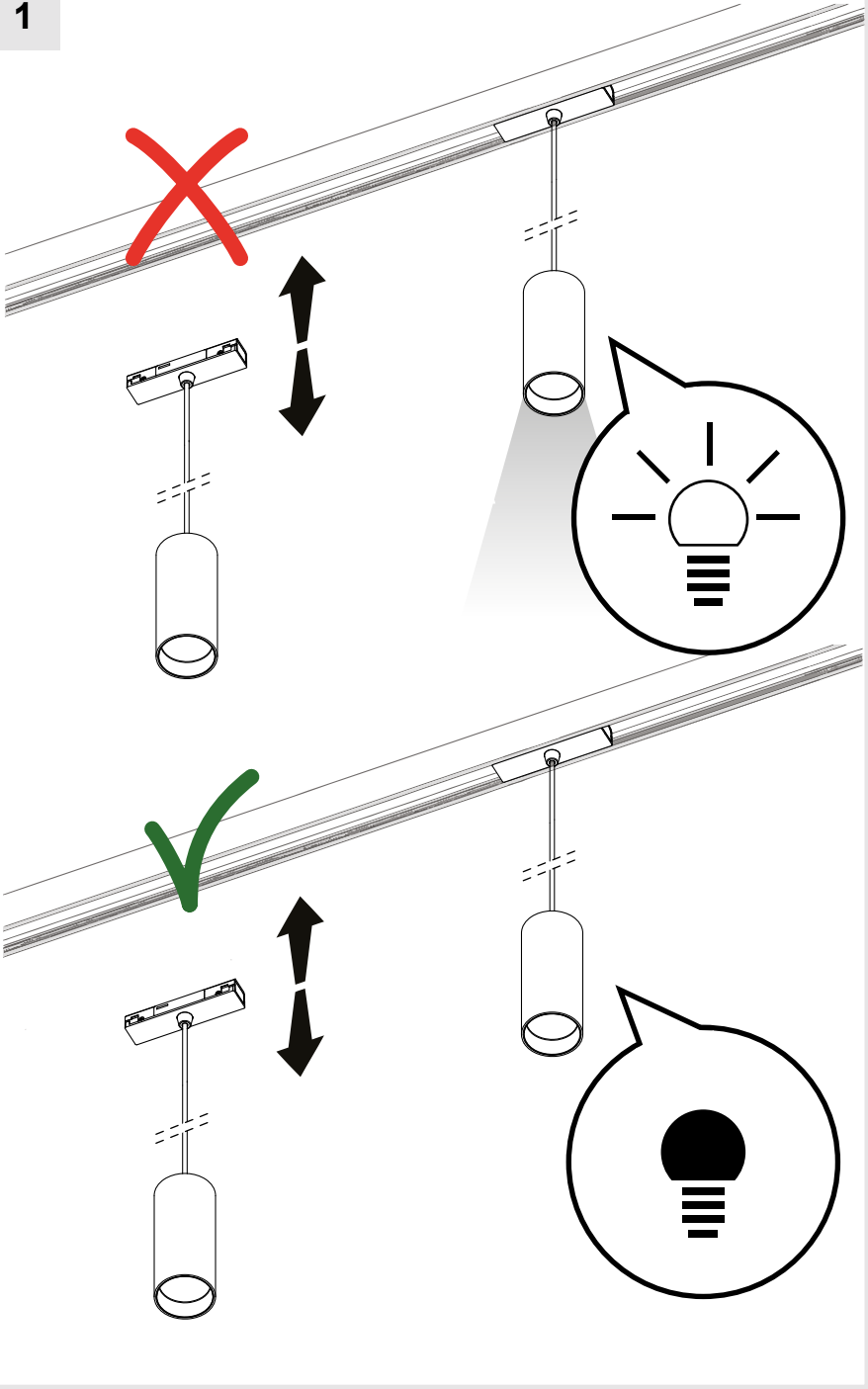


	LED1 from Dthr (m)			
	2700K	3000K	3500K	4000K
SP	LED1	LED1	1,66	1,66
FL	LED1	LED1	1,4	1,4
WF	LED1	LED1	1,4	1,4

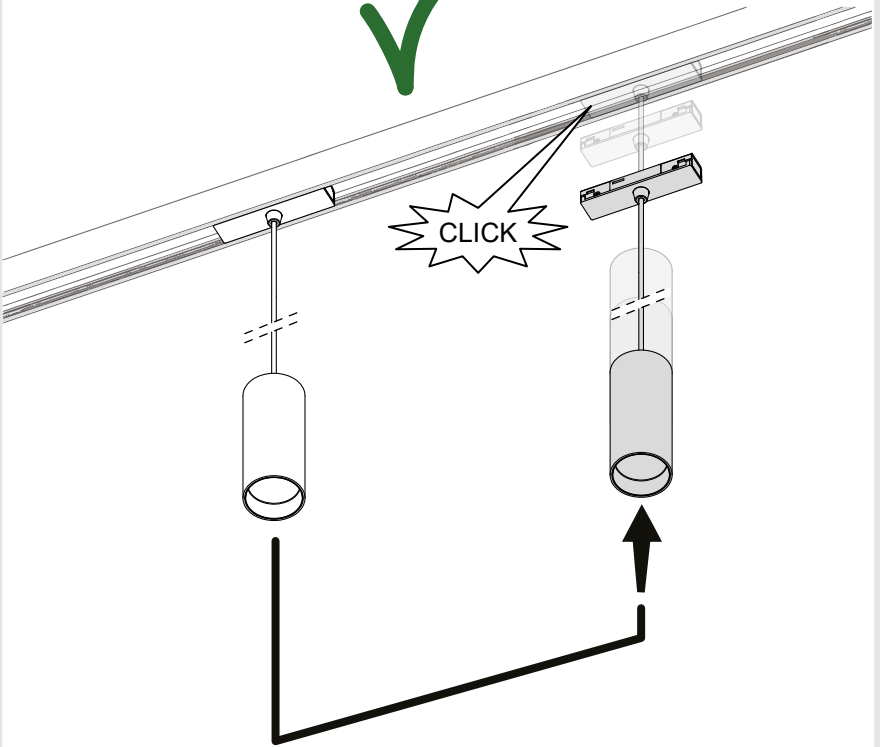
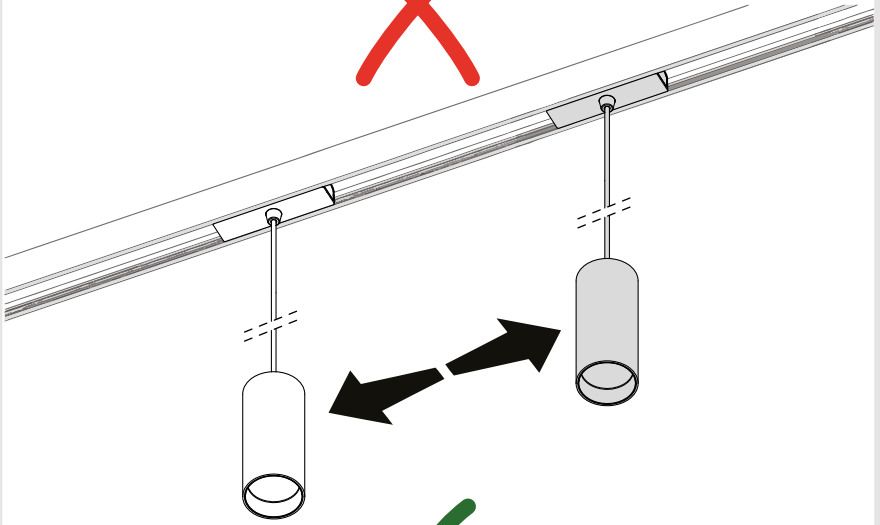
	LED1 from Dthr (m)			
	2700K	3000K	3500K	4000K
SP	1,6	1,6	2,15	2,15
FL	LED1	LED1	1,75	1,75
WF	LED1	LED1	1,75	1,75



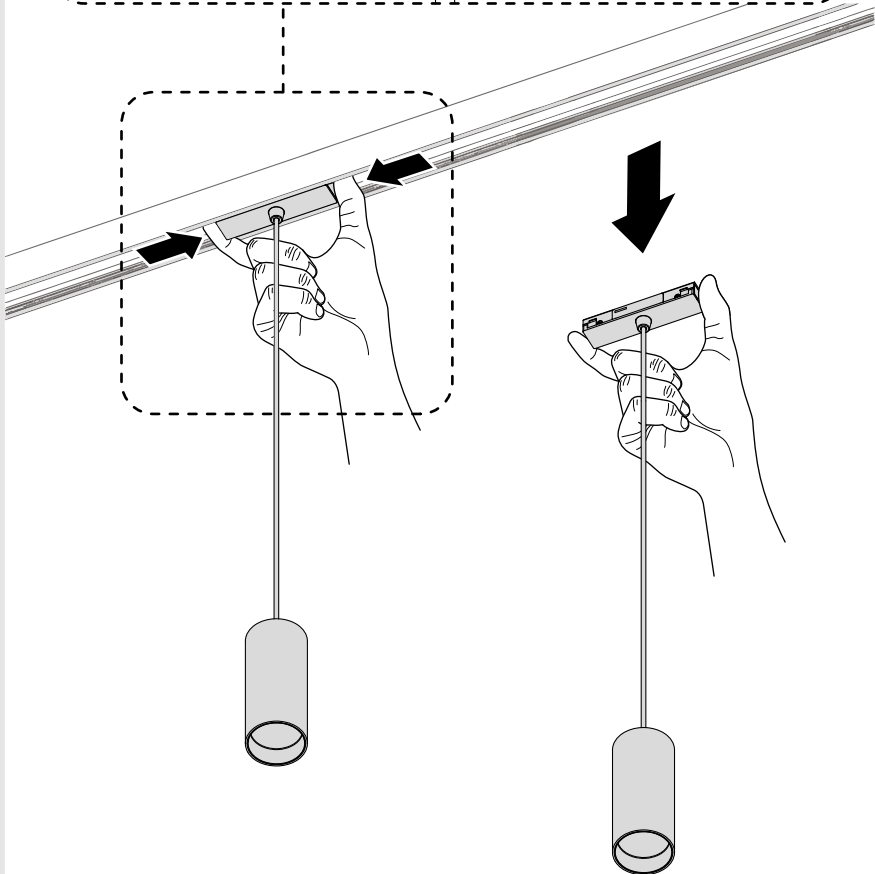
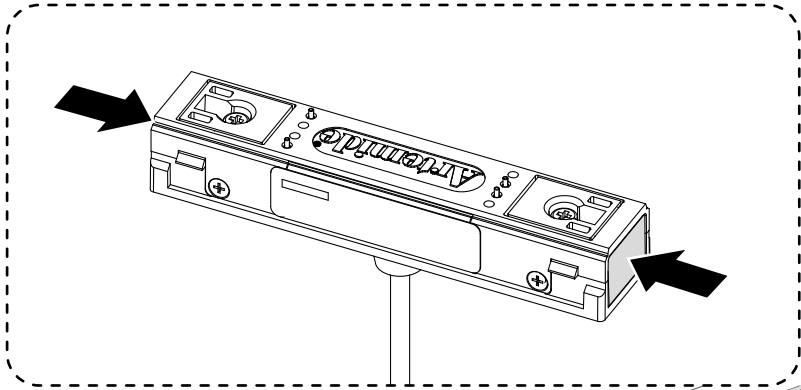
1



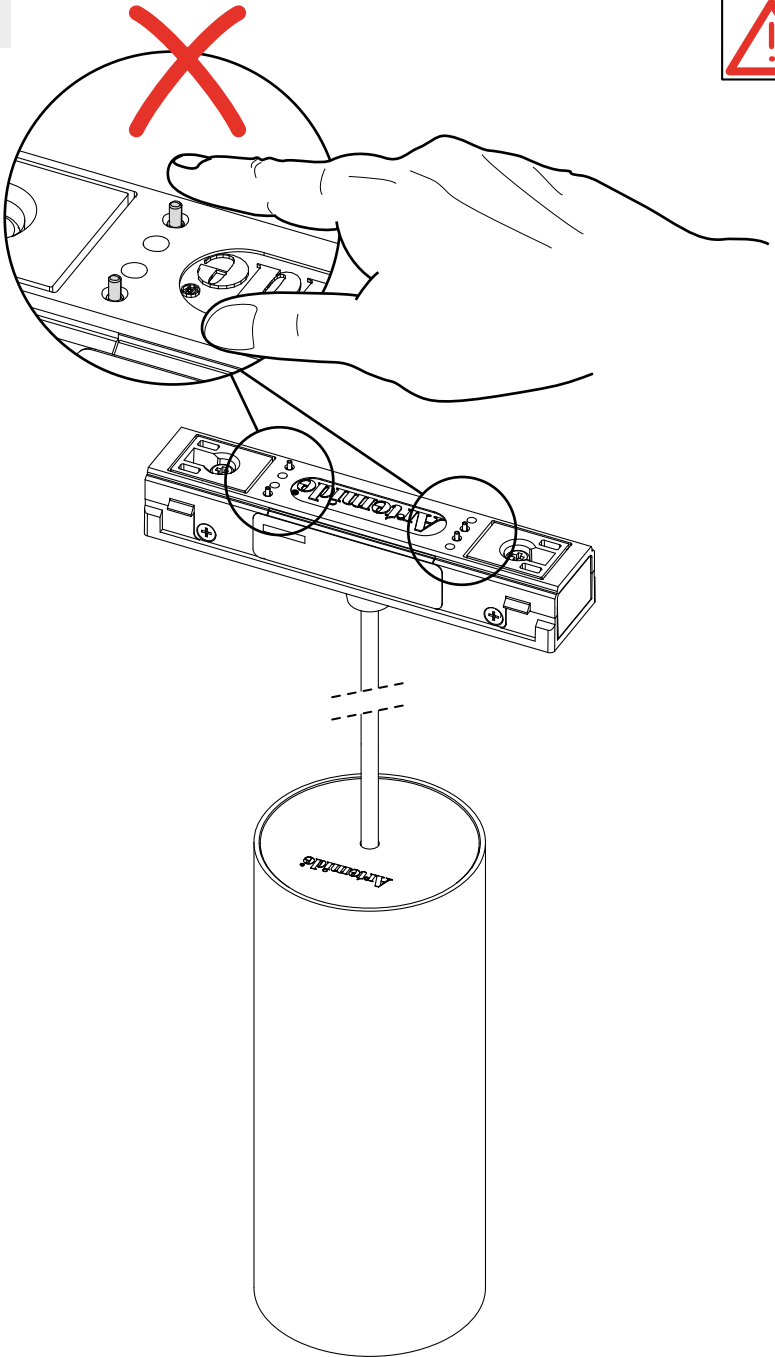
2



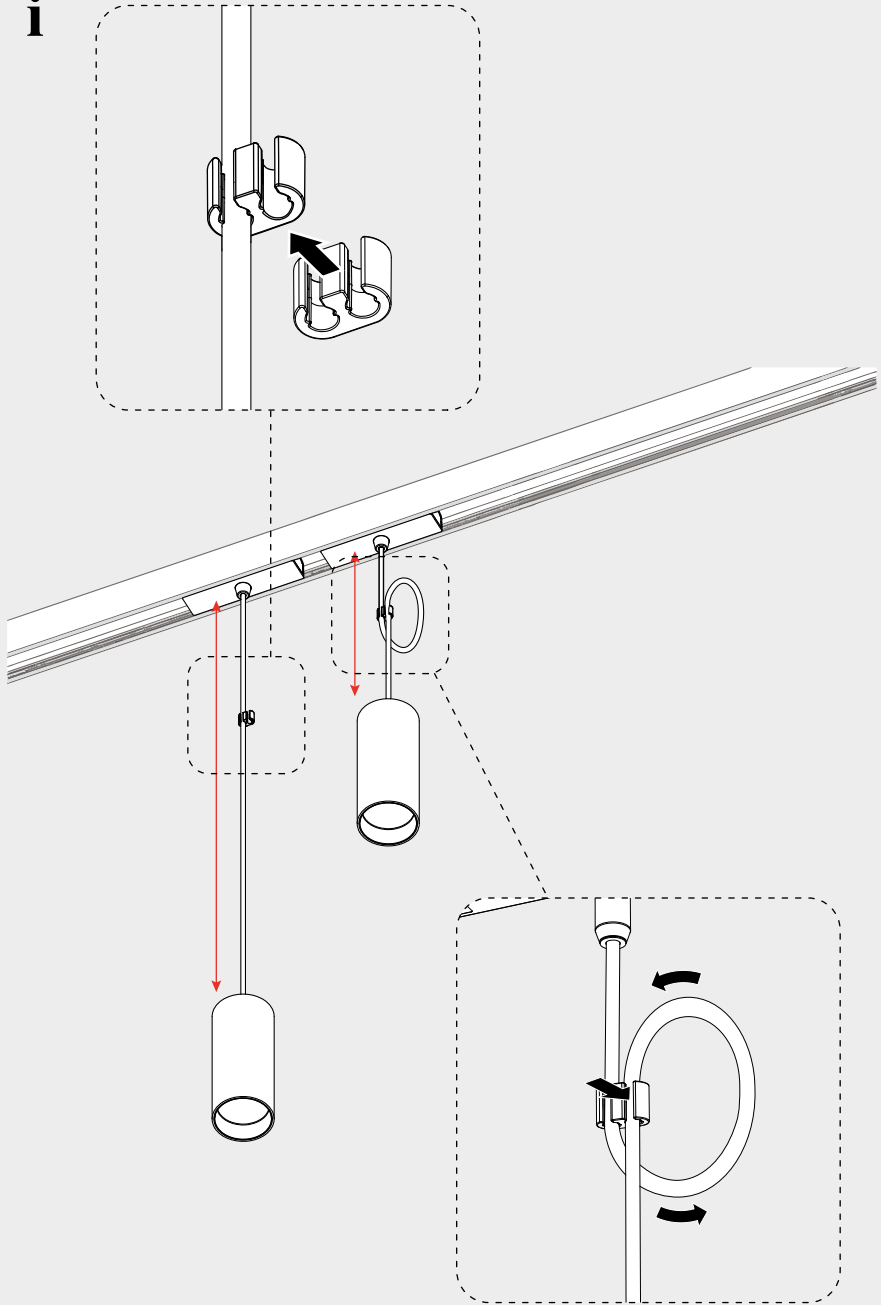
3



4

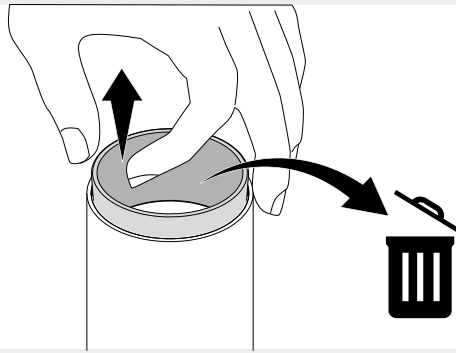


i



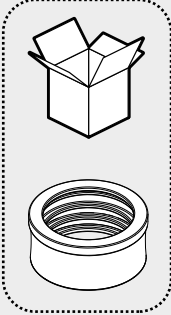
VECTOR 40 ACCESSORIES

1

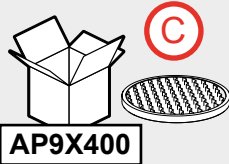
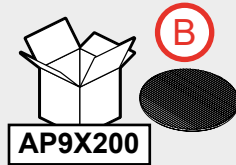
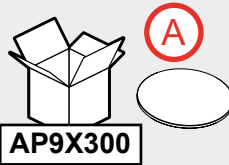


i 

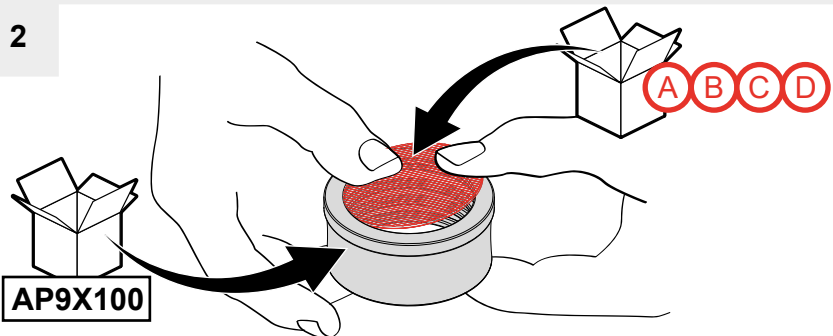
AP9X100



+

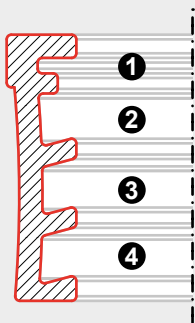
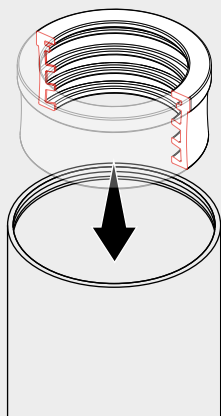


2



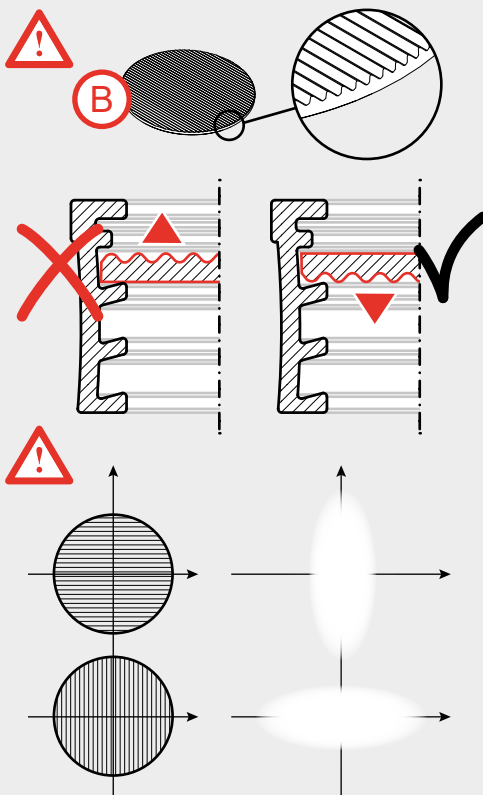
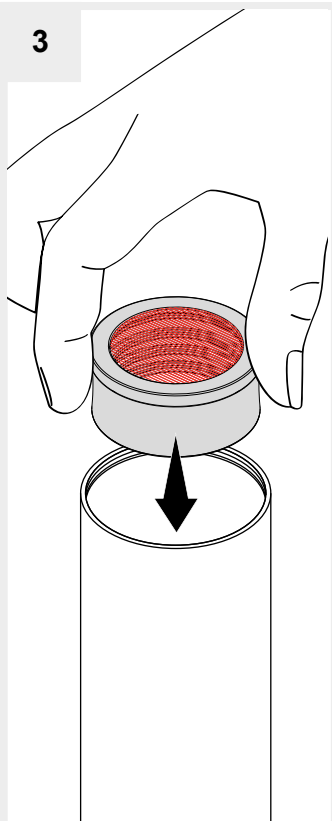
VECTOR 40 ACCESSORIES

i

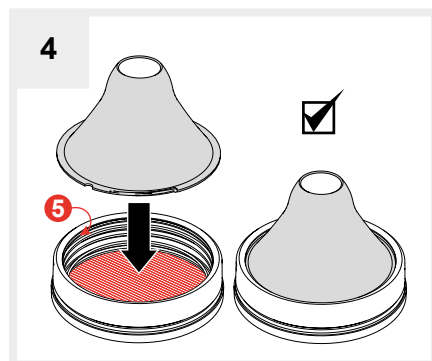
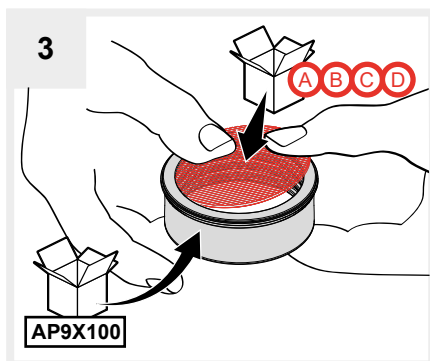
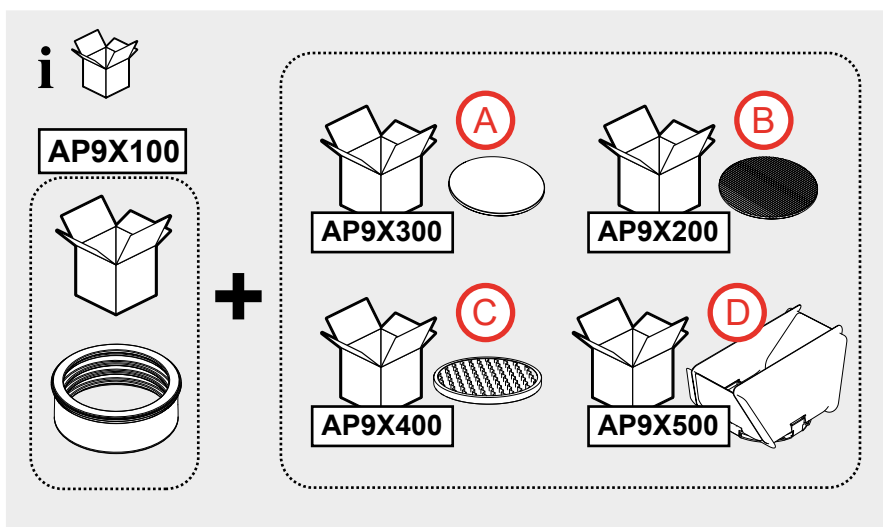
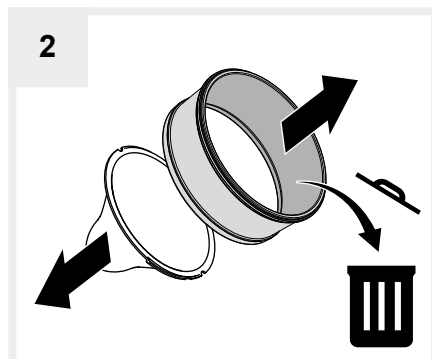
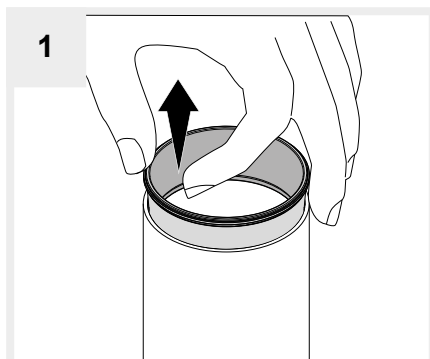


	A	B	C	D
1				•
2	•	•	•	
3	•	•		
4	•	•		

3




VECTOR 55 ACCESSORIES



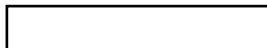
VECTOR 55 ACCESSORIES

i

	A	B	C	D	
1				•	
2	•	•	•		
3	•	•			
4	•	•			
5					•

5

Artemide®



Artemide Spa

via Bergamo, 18
20008 Pregnana M.se (MI)
ITALIA

Tel. +39 02 935 181
Fax +39 02 935 90 254
Fax +39 02 935 90 496

www.artemide.com

VAT IT00846890150

cod. Y513001482B