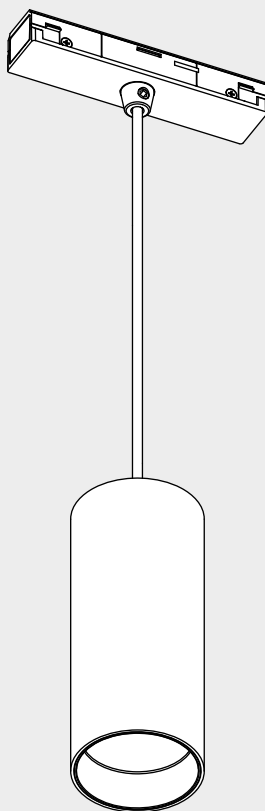
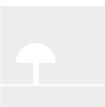
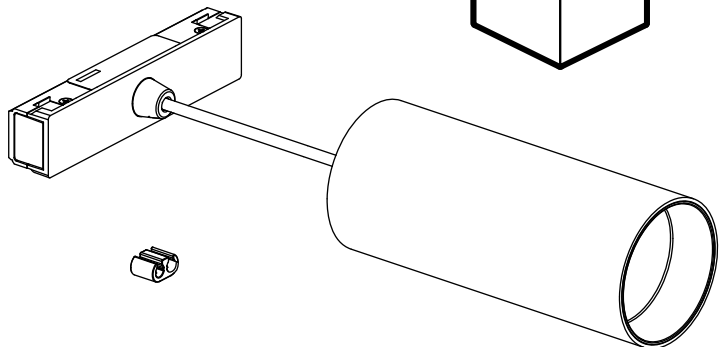
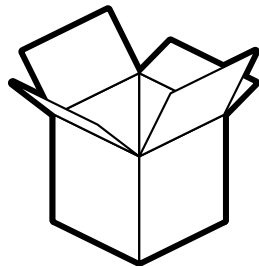
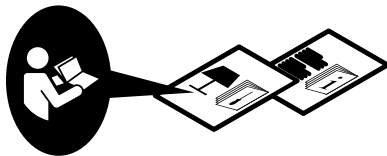
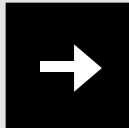
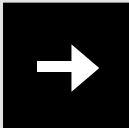
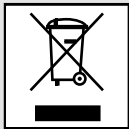
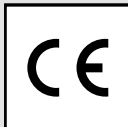


# Artemide®

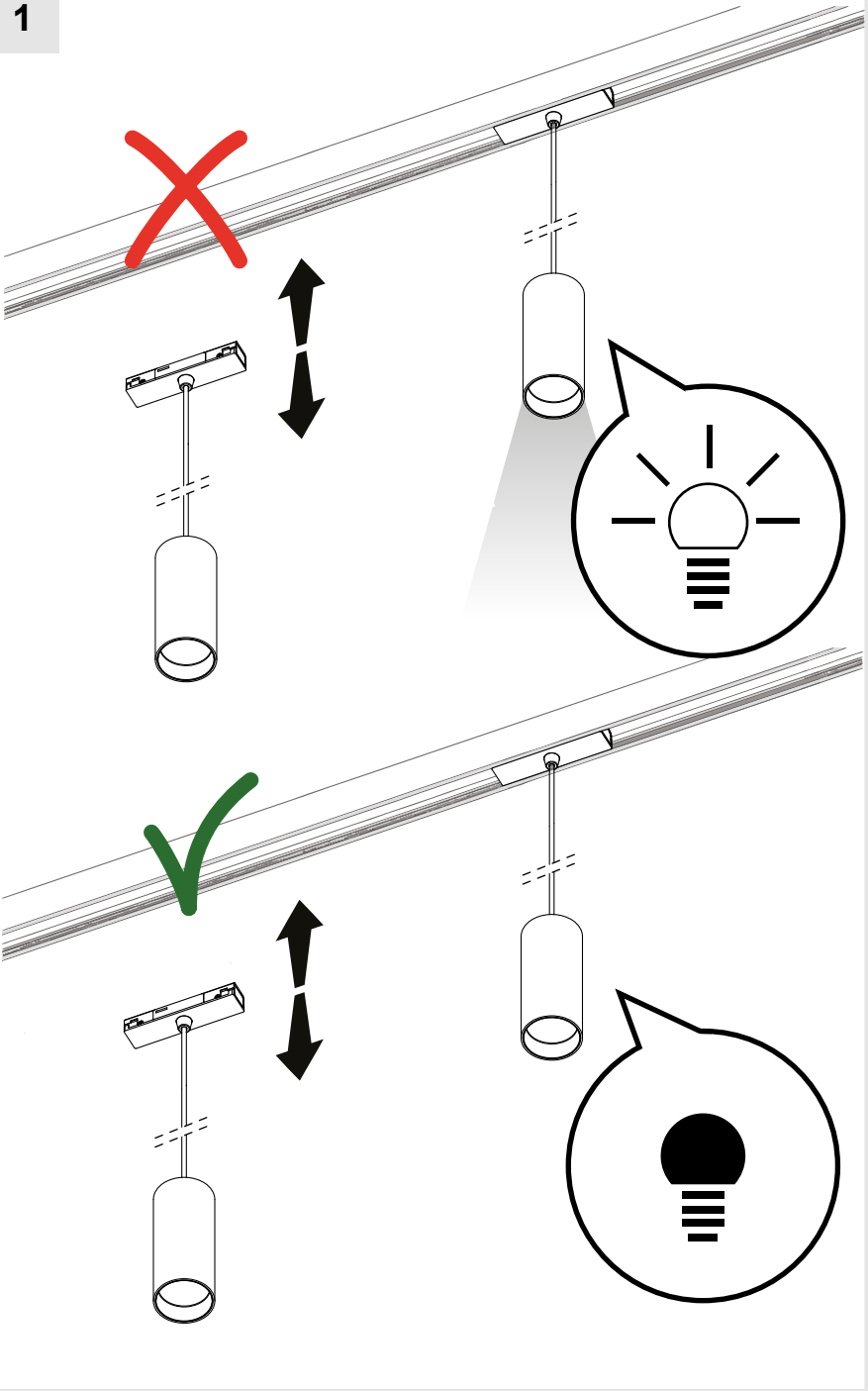
## VECTOR 55 PENDANT MAGNETIC INTEGRALIS®

design  
Carlotta de Bevilacqua

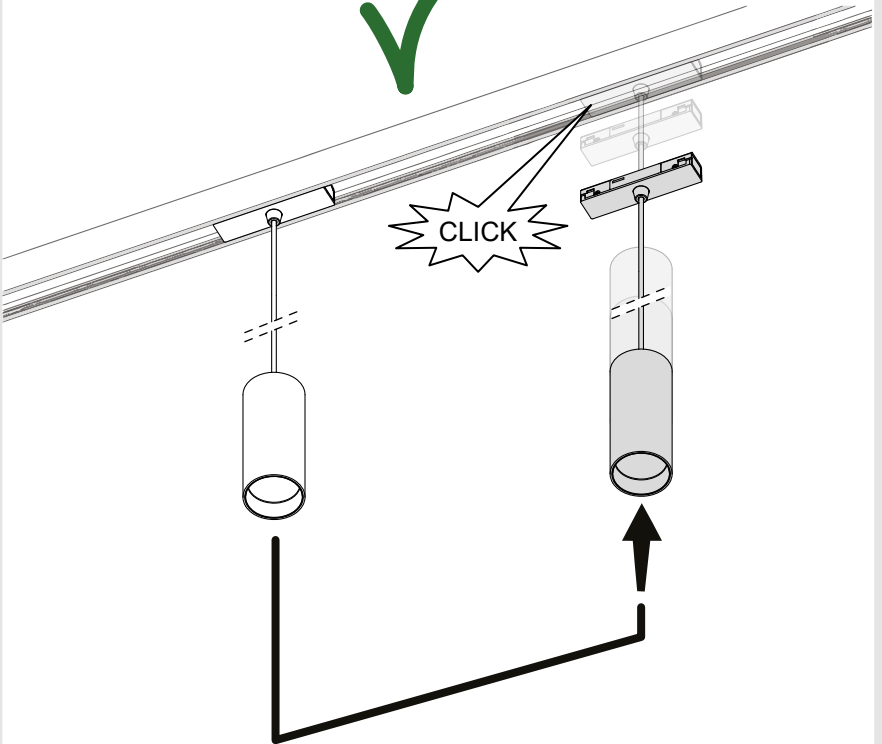
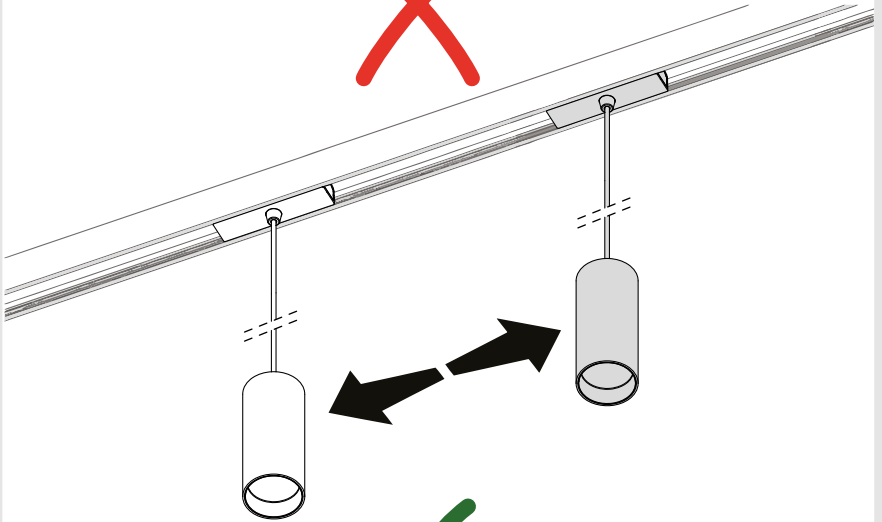




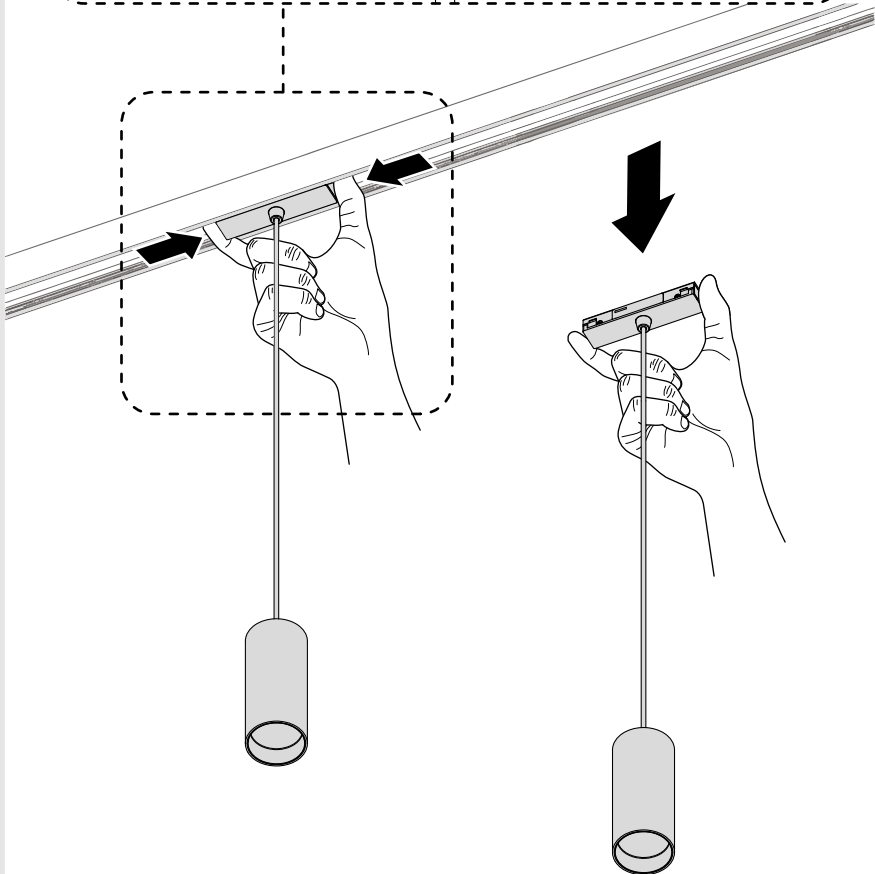
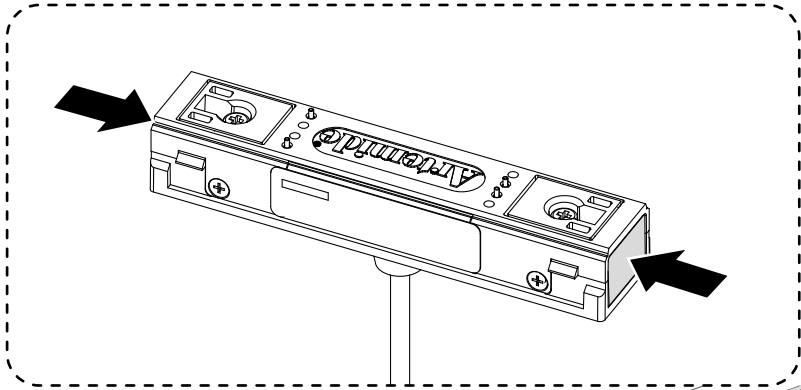
1



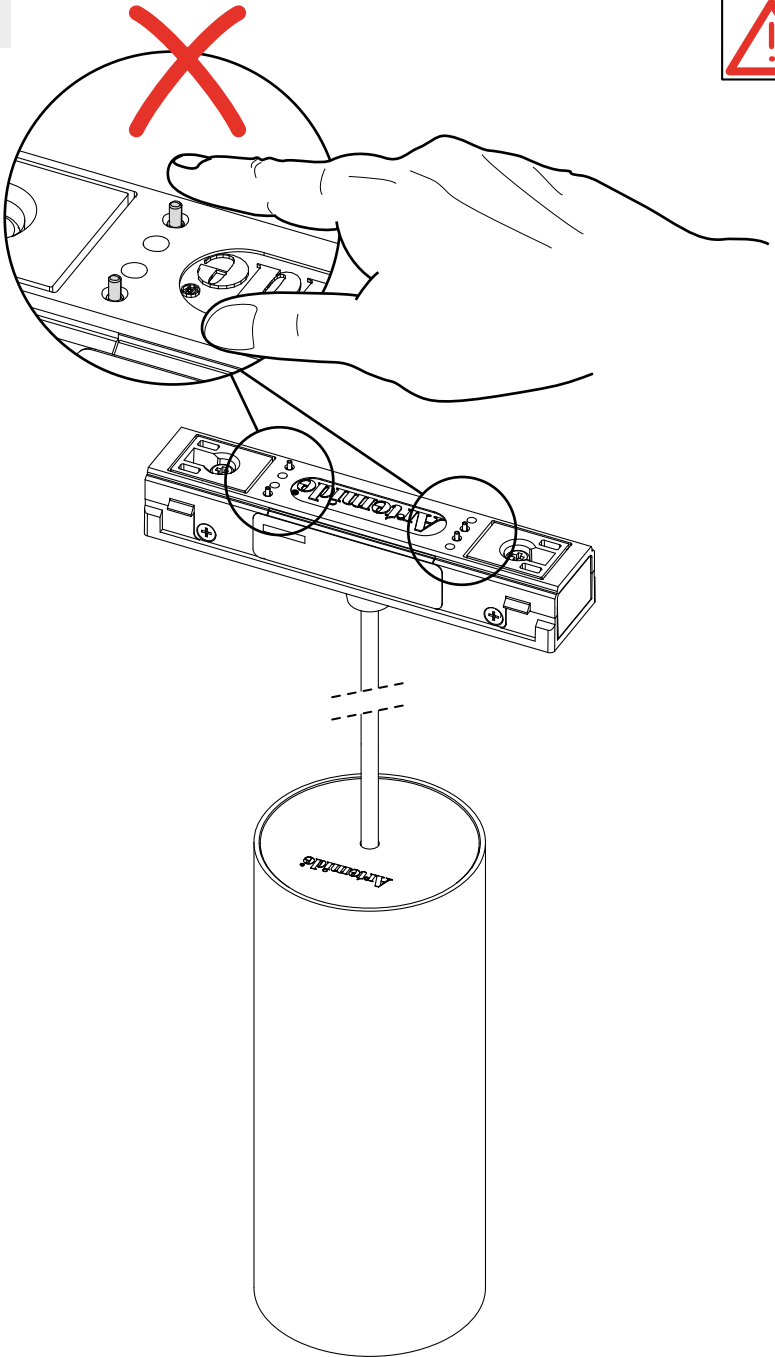
2



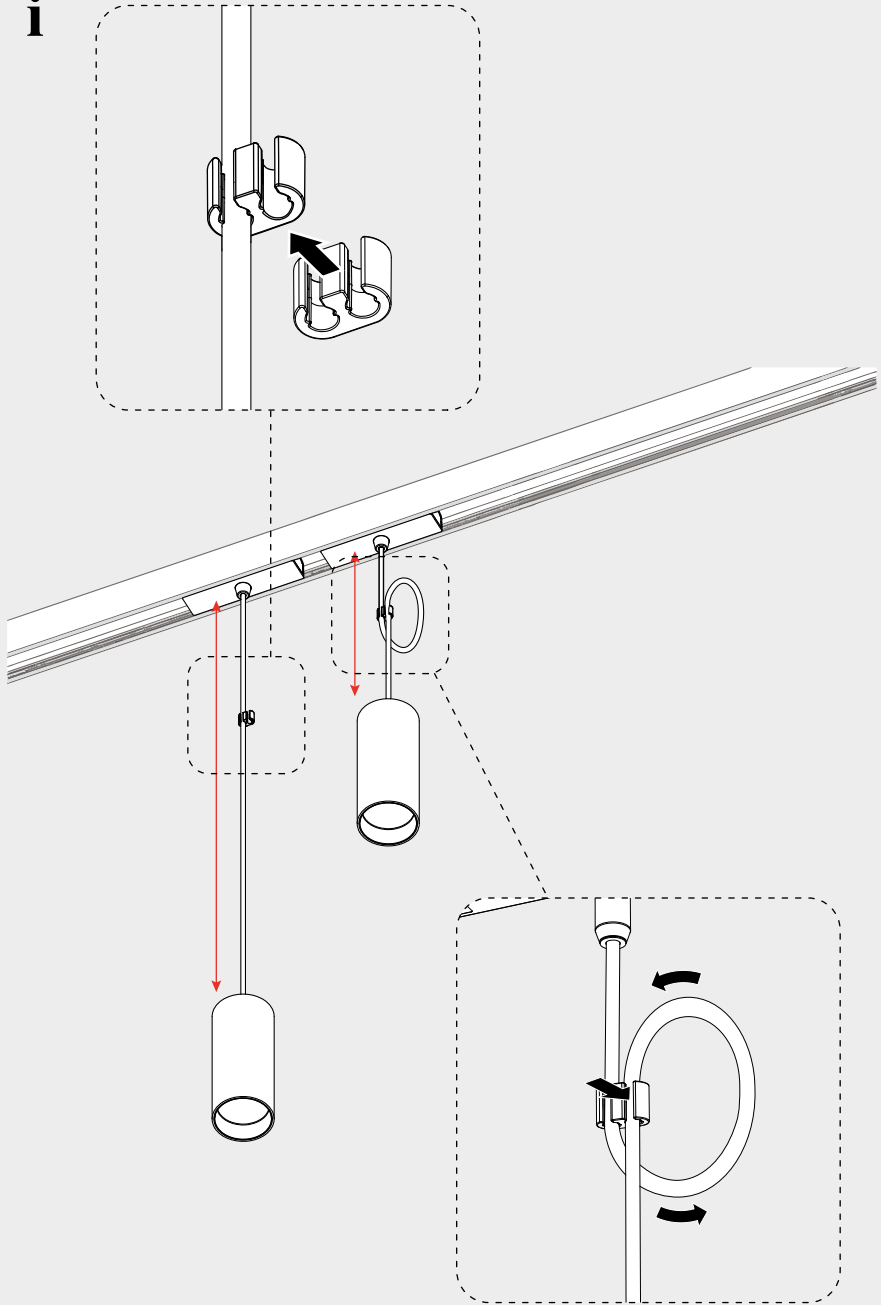
3



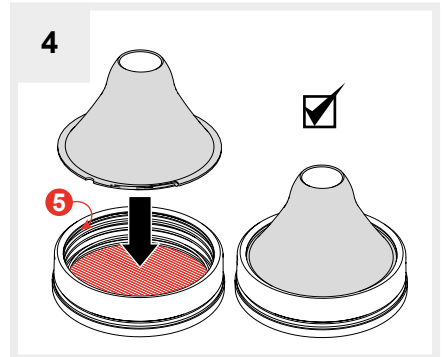
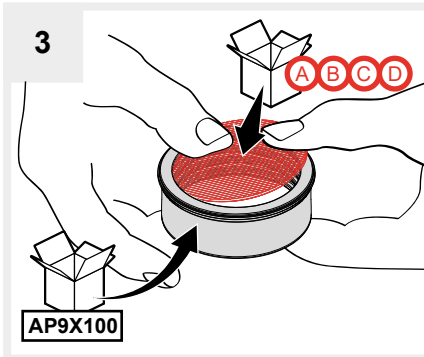
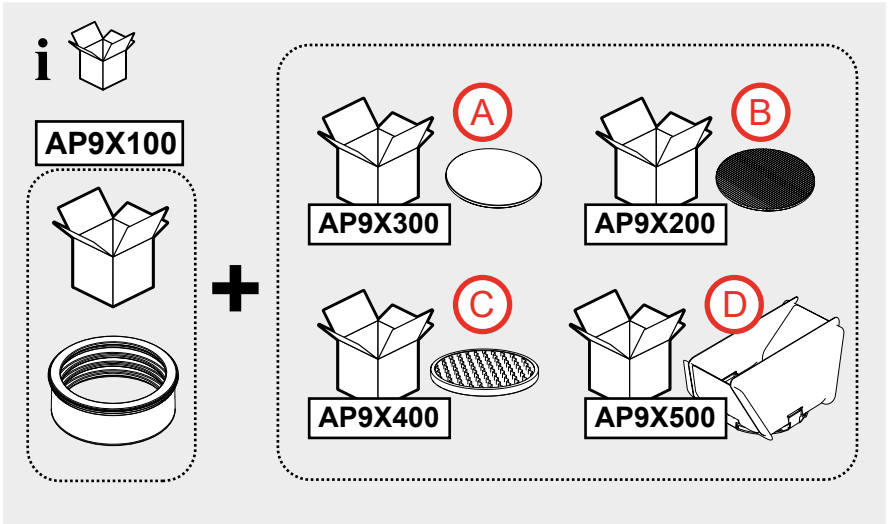
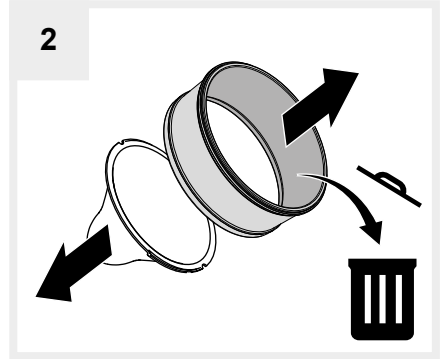
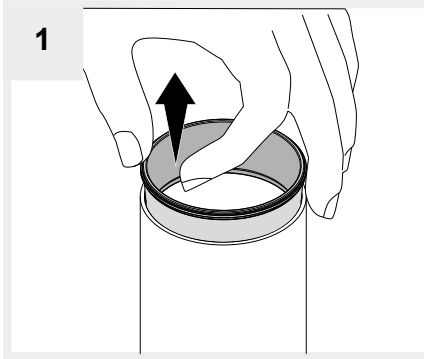
4



**i**




# VECTOR 55 ACCESSORIES



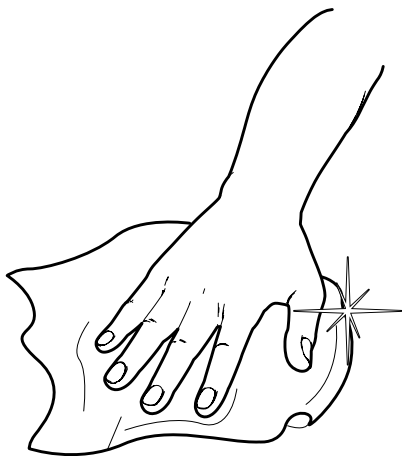
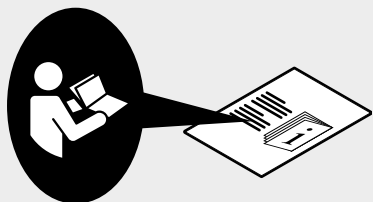


# VECTOR 55 ACCESSORIES

**i**

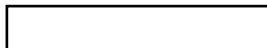
	A	B	C	D	
1				•	
2	•	•	•		
3	•	•			
4	•	•			
5					•

**5**





**Artemide®**



## **Artemide Spa**

via Bergamo, 18  
20006 Pregnana M.se (MI)  
ITALIA

Tel. +39 02 935 181  
Fax +39 02 935 90 254  
Fax +39 02 935 90 496

[www.artemide.com](http://www.artemide.com)

VAT IT00846890150

cod. Y513001489A