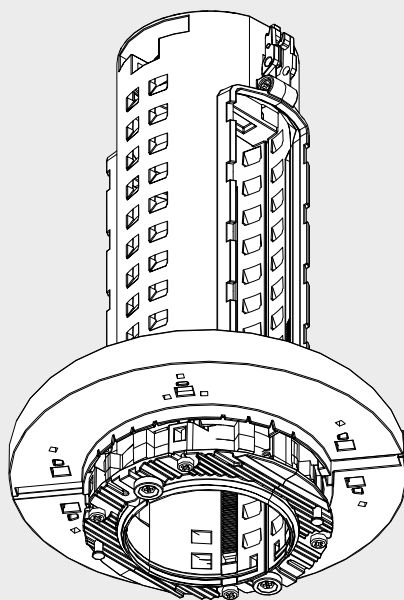


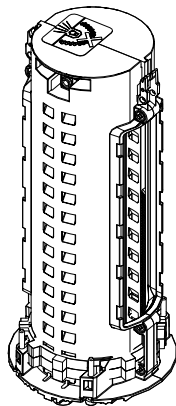
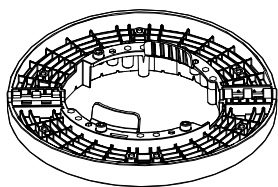
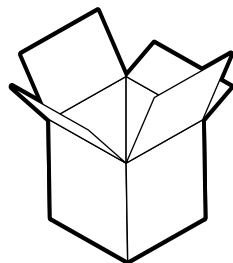
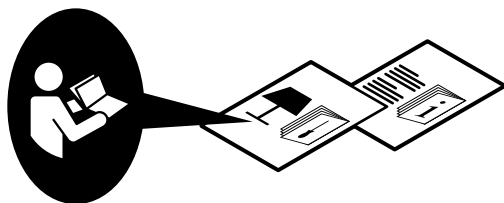
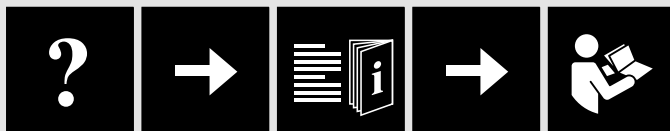
VECTOR RECESSED - STRUCTURE

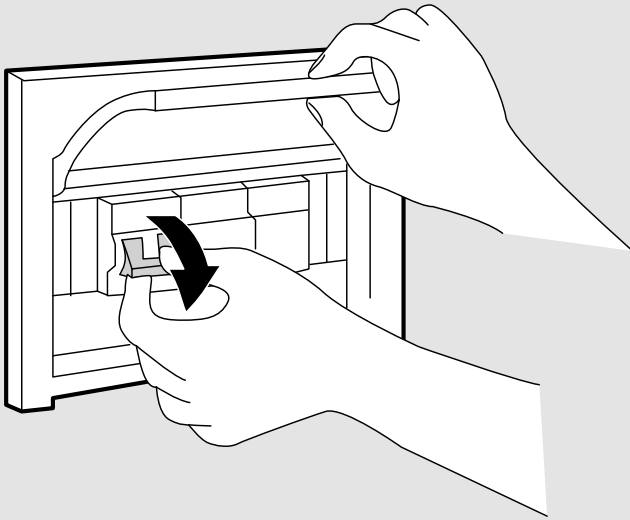
design
Carlotta De Bevilacqua





i

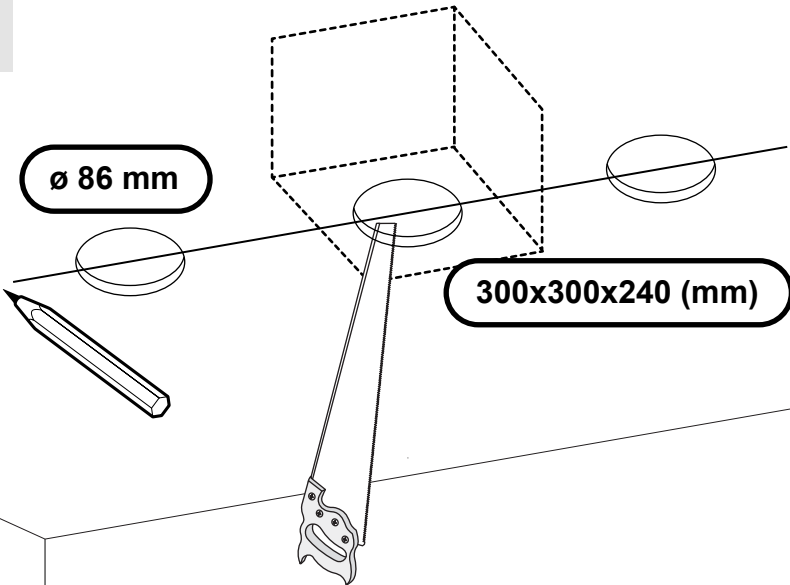




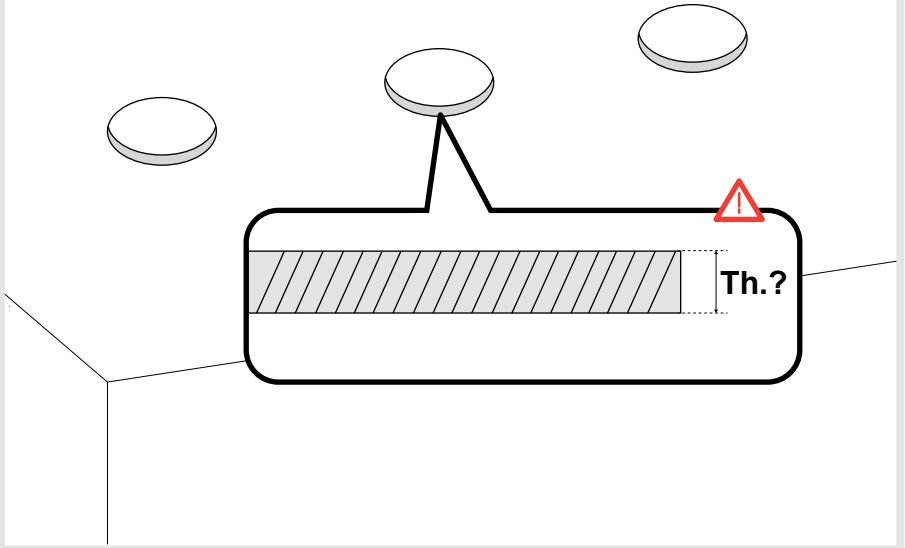
1

∅ 86 mm

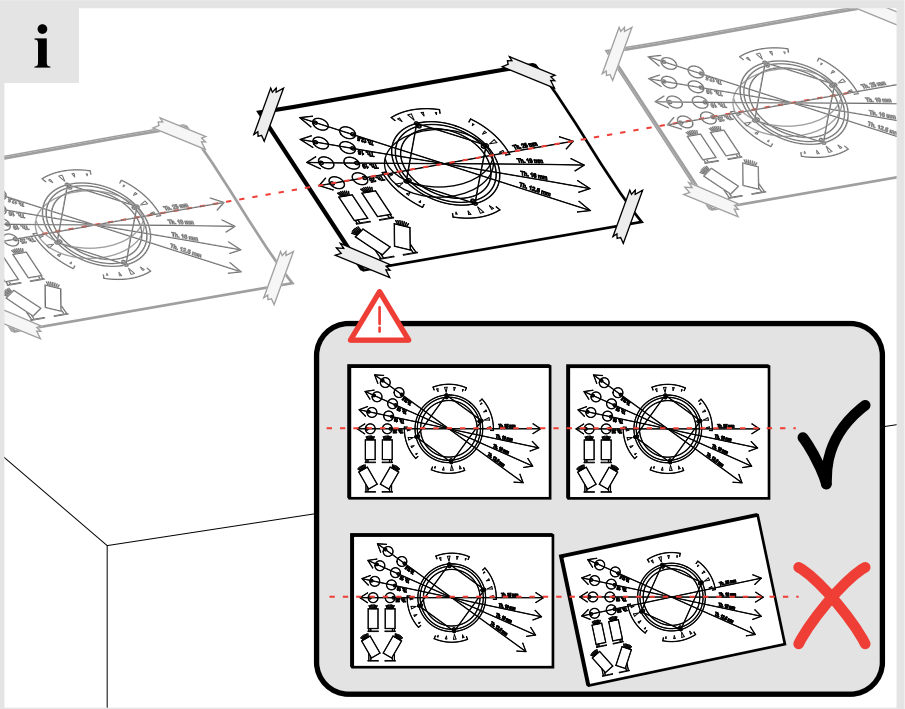
300x300x240 (mm)



2

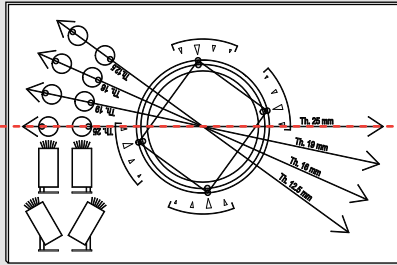


i

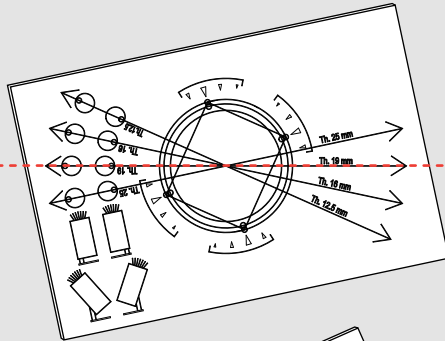


i

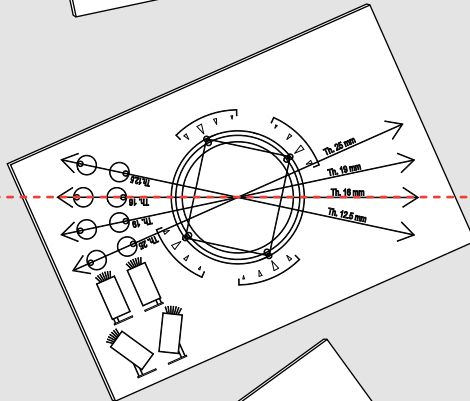
Th. = 25 mm (+2 mm)



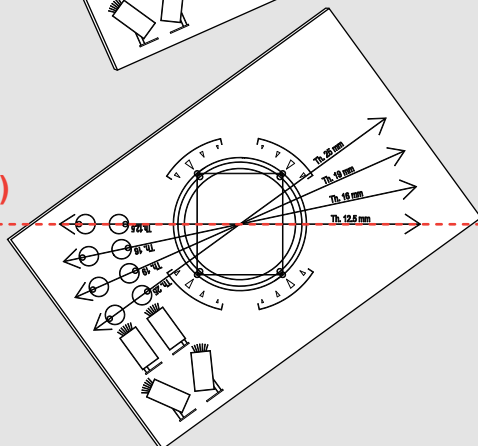
Th. = 19 mm (+2 mm)



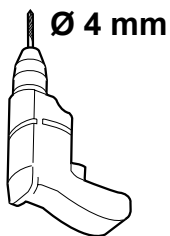
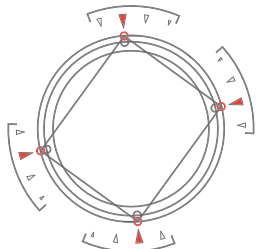
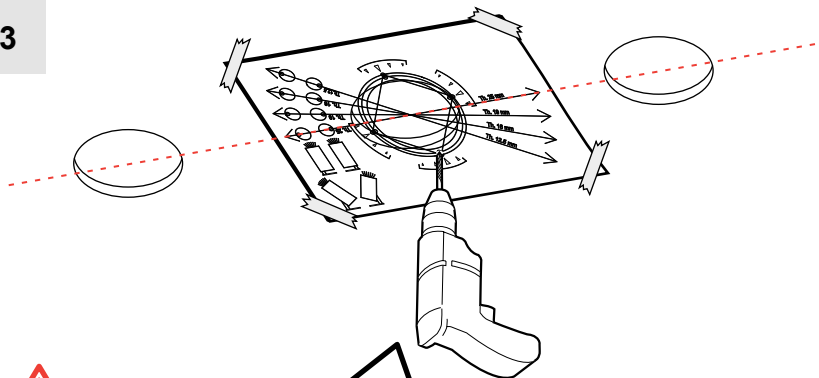
Th. = 16 mm (+2mm)



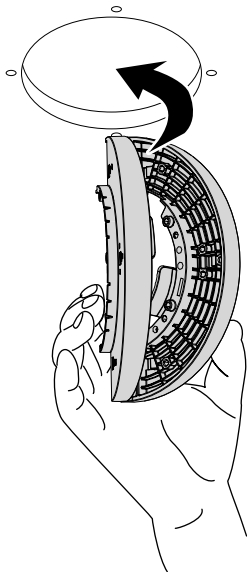
Th. = 12,5 mm (+2 mm)



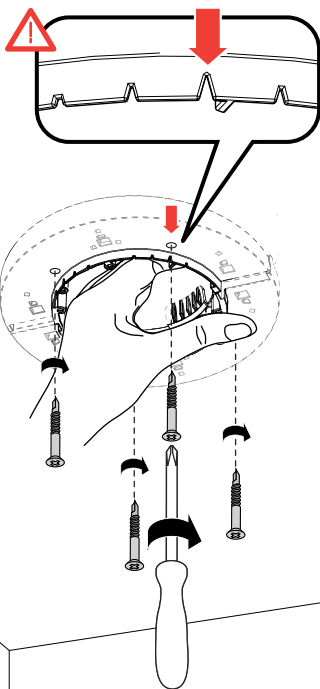
3



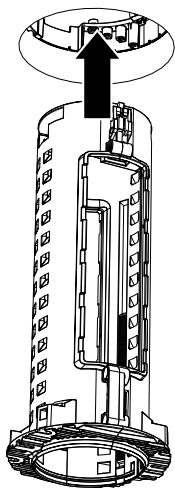
4



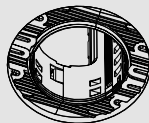
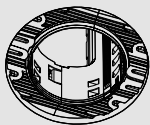
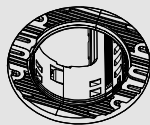
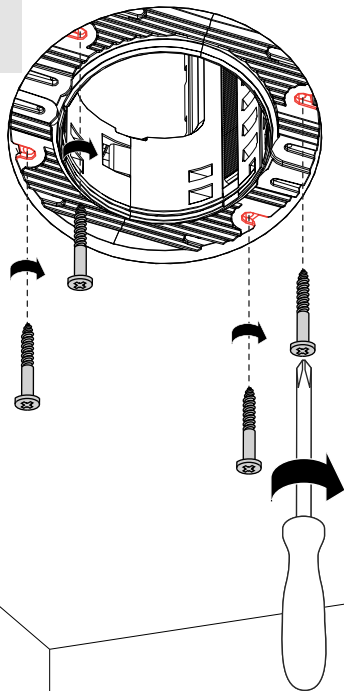
5



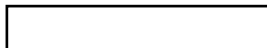
6



7



Artemide[®]
ARCHITECTURAL



Artemide Spa

via Bergamo, 18
20010 Pregnana M.se (MI)
ITALIA

Tel. +39 02 935 181
Fax +39 02 935 90 254
Fax +39 02 935 90 496

www.artemide.com

VAT IT00846890150

cod. Y5130001060A