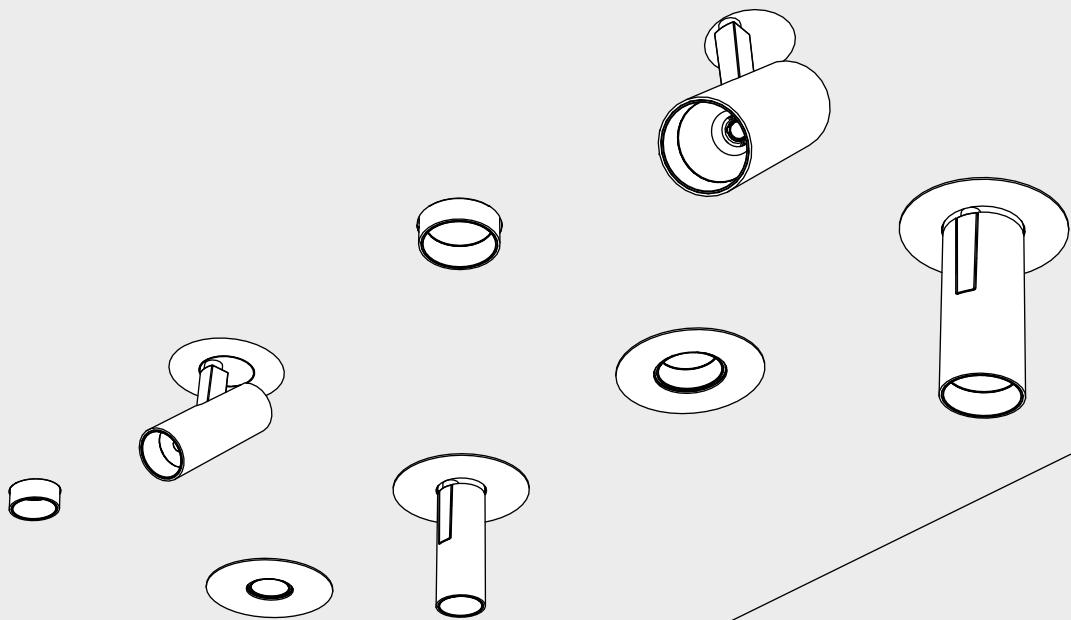


VECTOR 40/55 RECESSED TRIM/TRIMLESS

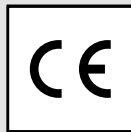
design
Carlotta de Bevilacqua





i

VECTOR
40/55 DALI

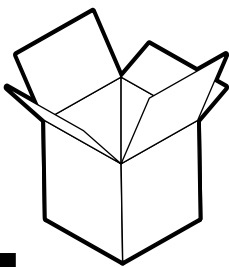
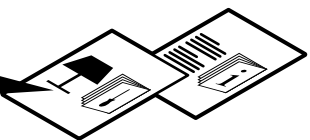
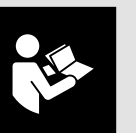
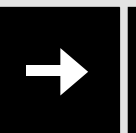
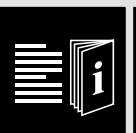
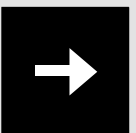
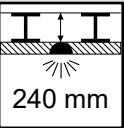
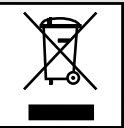


VECTOR 40

VECTOR 40

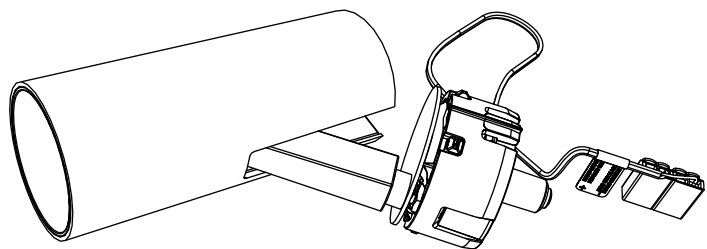


	LED1 from Dthr (m)		
	2700K	3000K	4000K
SP	1,6	1,6	2,15
FL	LED1	LED1	1,75
WF	LED1	LED1	1,75

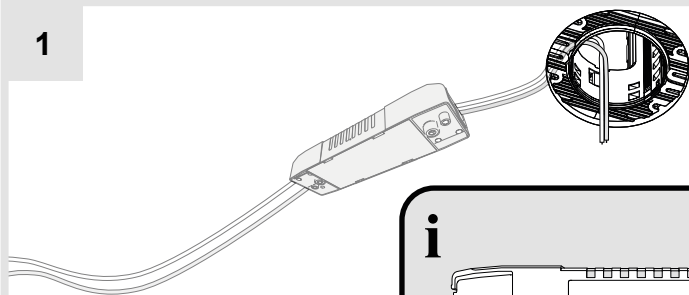


VECTOR 40/55 TRIMLESS → A

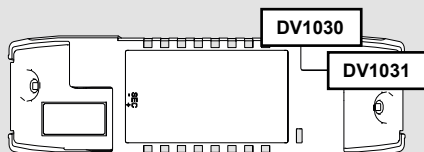
VECTOR 40/55 TRIM → B



1

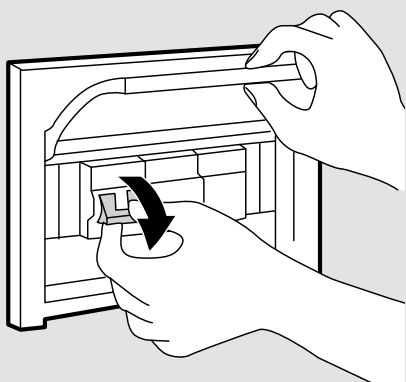


i

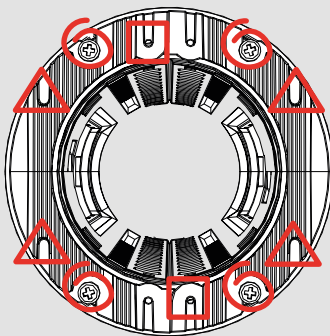


Y513001040

	Vout	mA	W
VECTOR 40	60V ---	700mA	8W
VECTOR 55	60V ---	500mA	17,5W



i



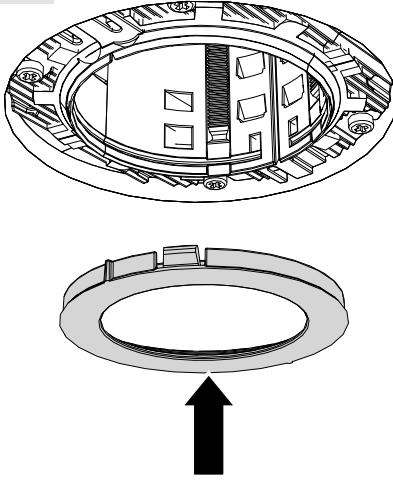
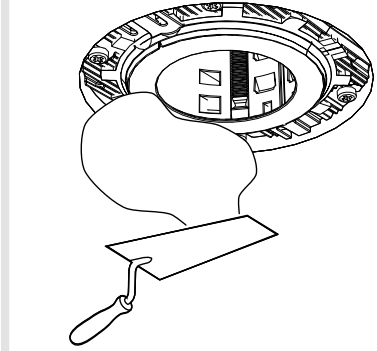
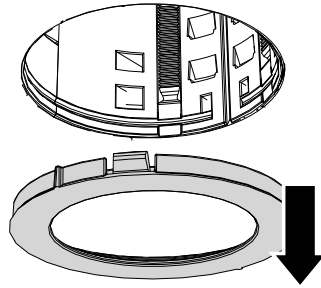
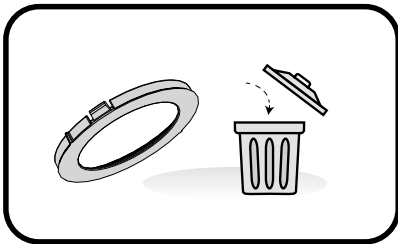
Fixing structure screw



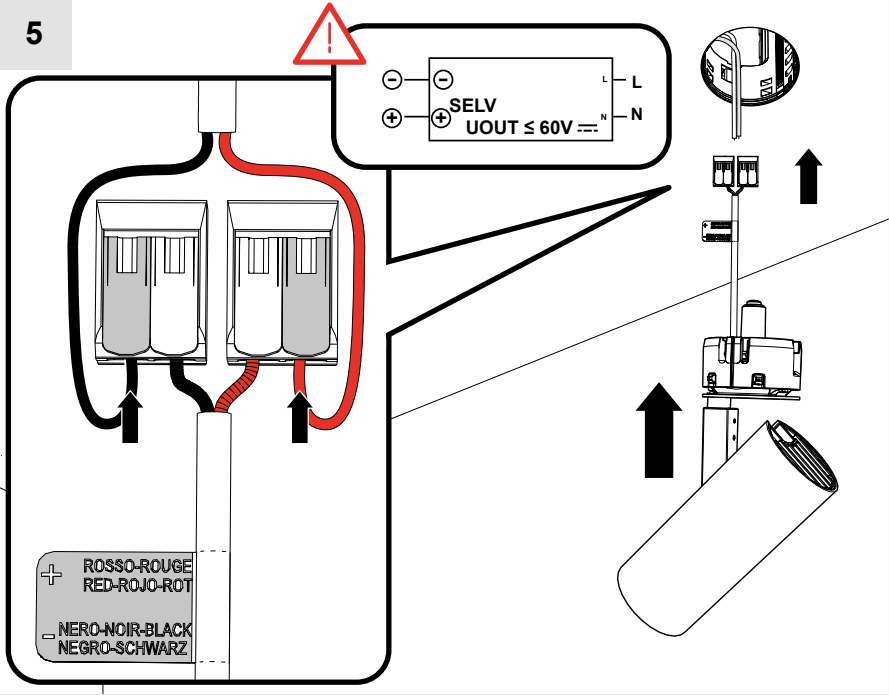
Fixing ceiling screw



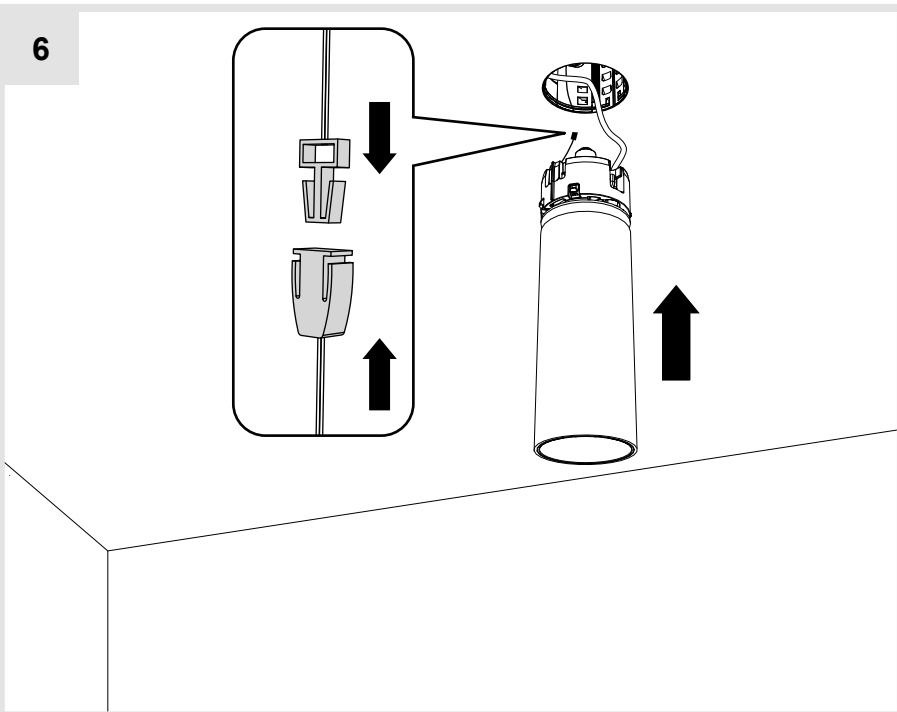
Magnetic fixing

A**2****3****4**

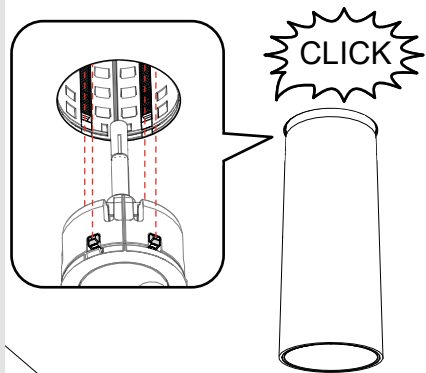
5



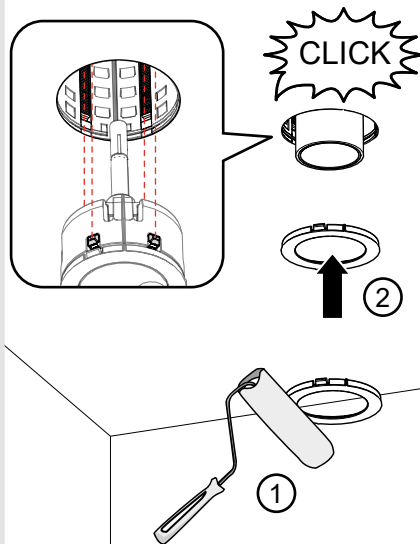
6



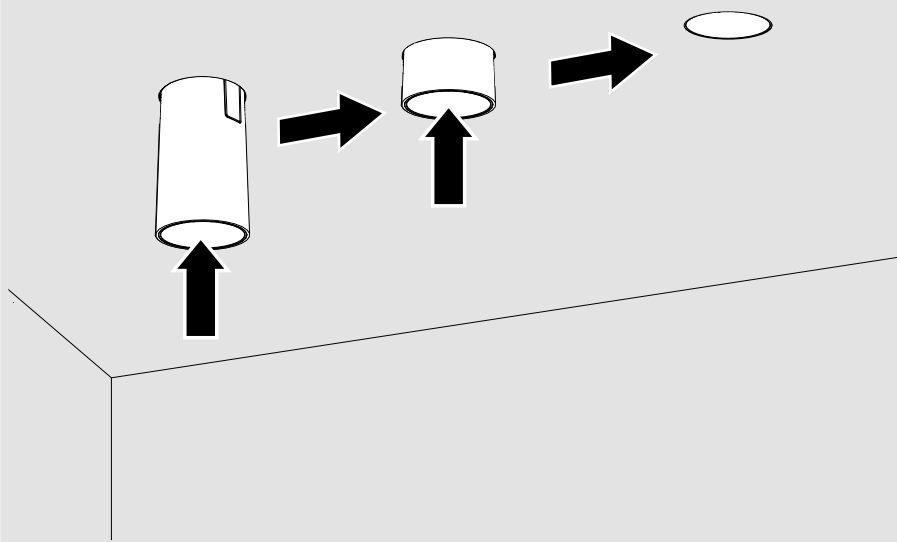
7a VECTOR 55



7b VECTOR 40



i

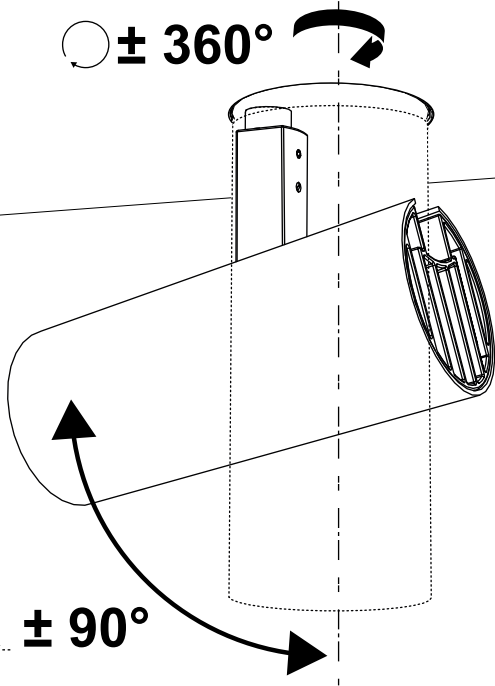




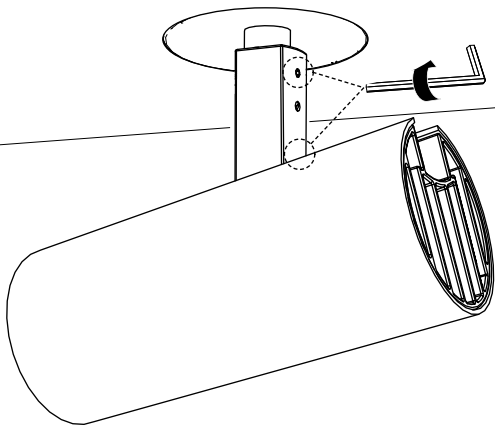
i

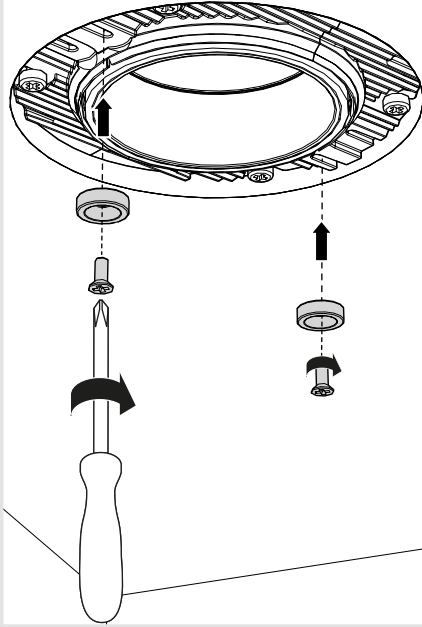
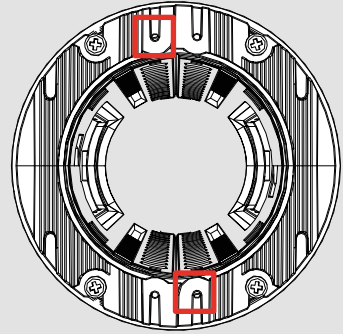
$\pm 360^\circ$

$\pm 90^\circ$

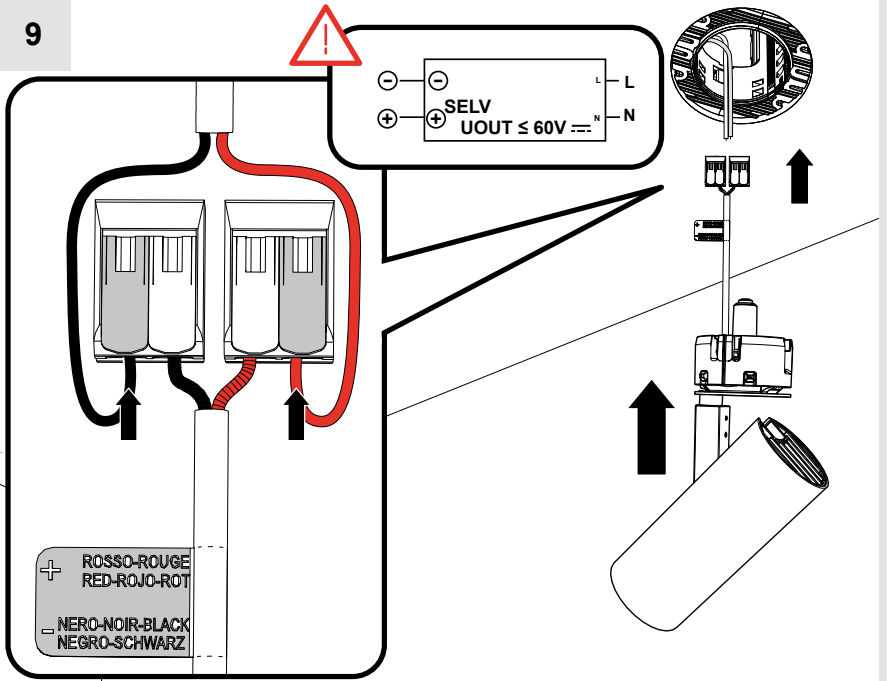


i

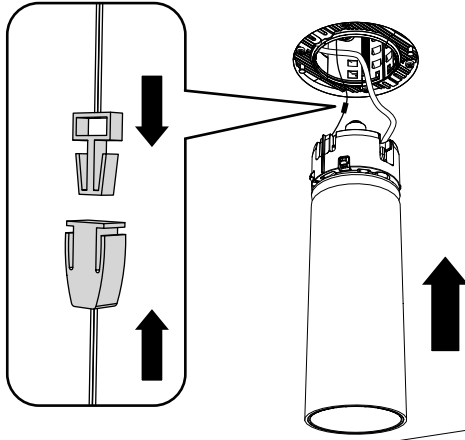


B**8****i**

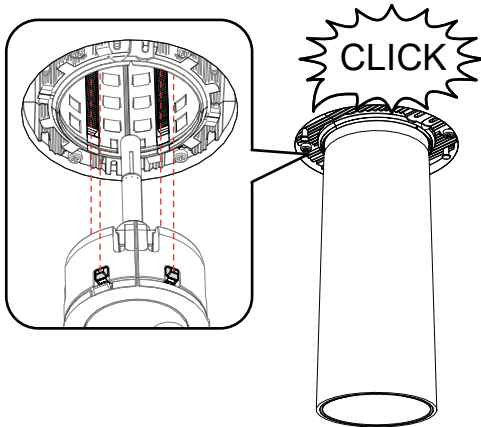
 Magnetic fixing

9

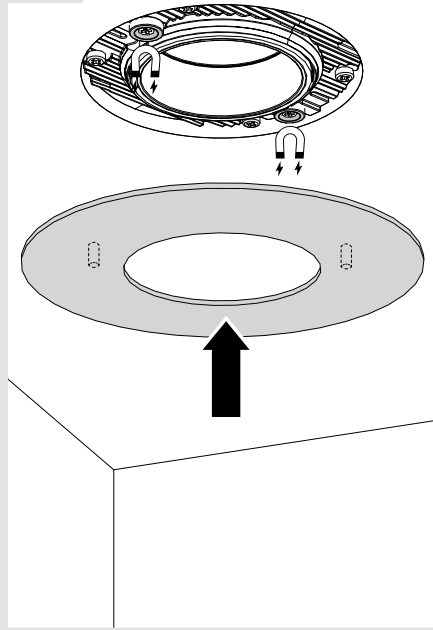
10



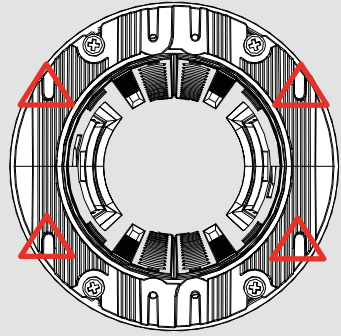
11




12



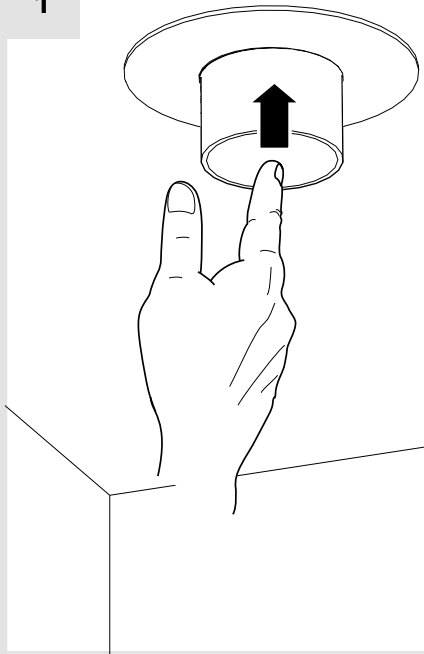
i



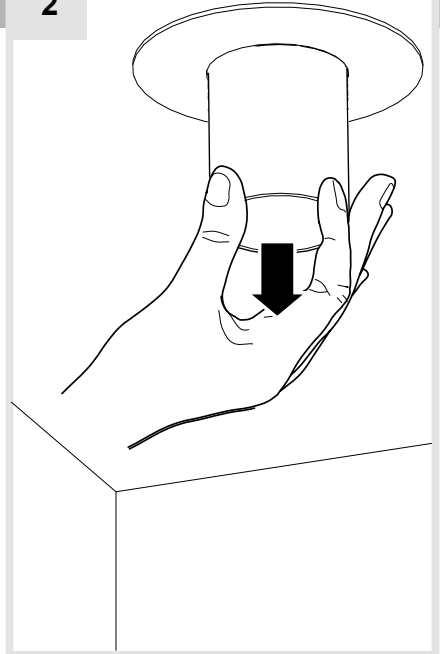
 Fixing ceiling screw

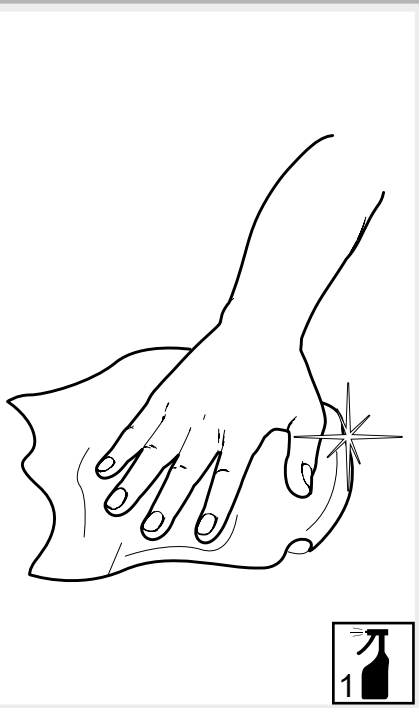
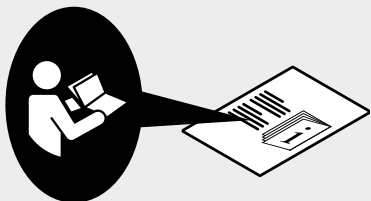


1



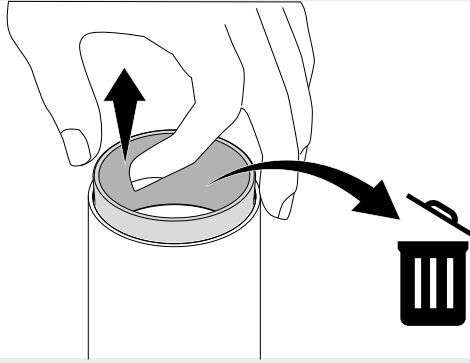
2





VECTOR 40 ACCESSORIES

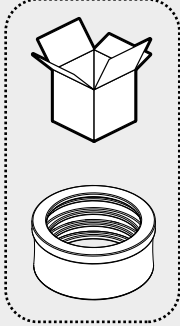
1



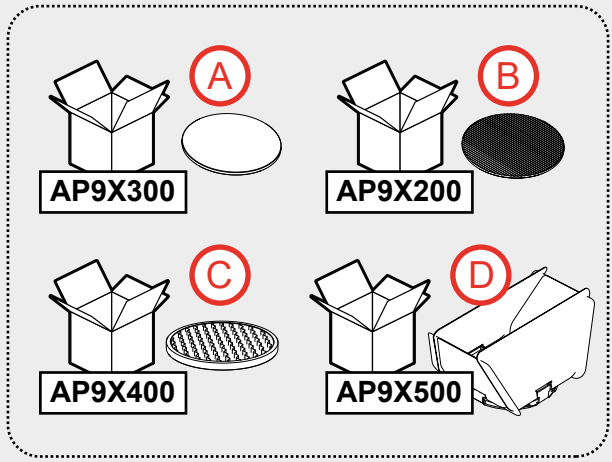
i



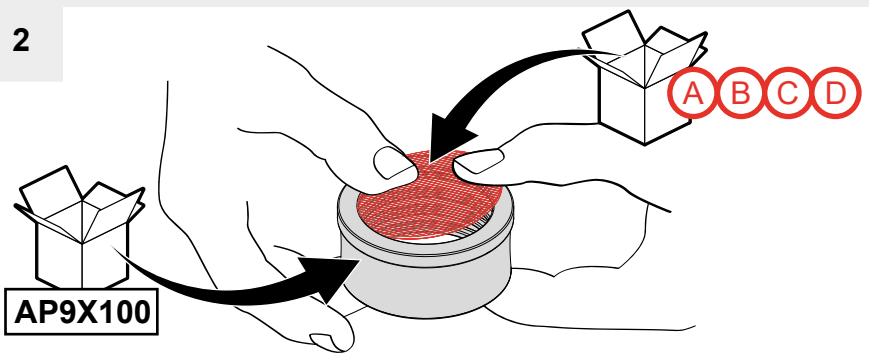
AP9X100



+

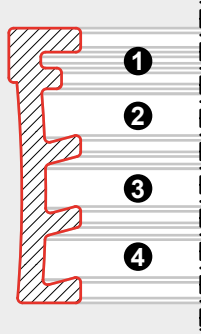
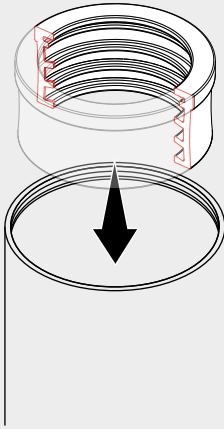


2



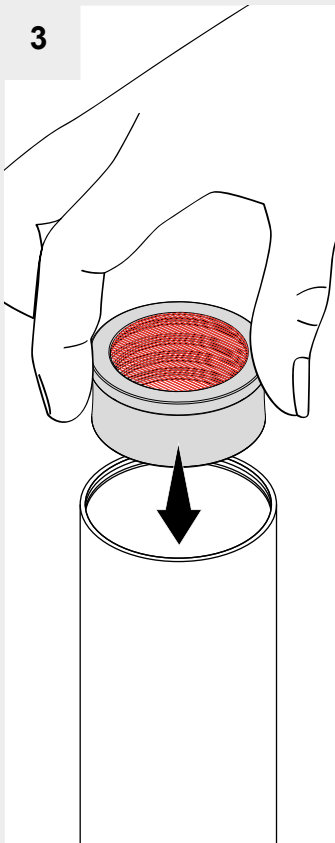
VECTOR 40 ACCESSORIES

i

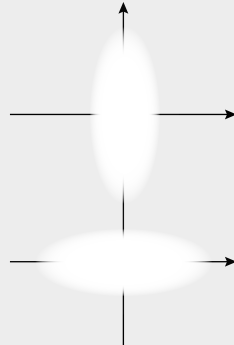
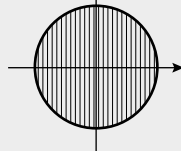
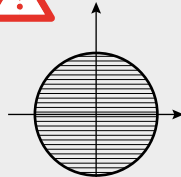
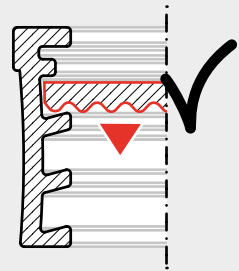
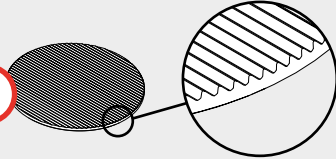


	A	B	C	D
1				•
2	•	•	•	
3	•	•		
4	•	•		

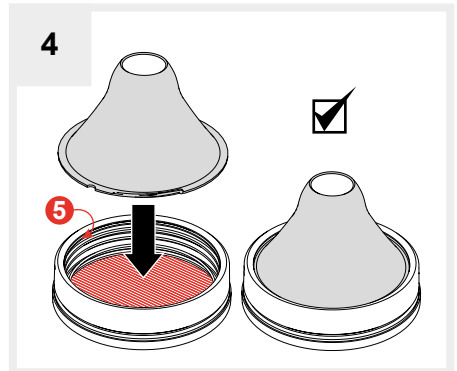
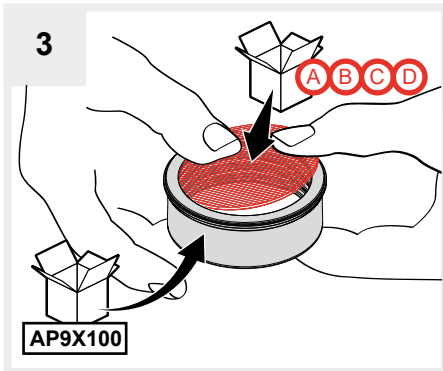
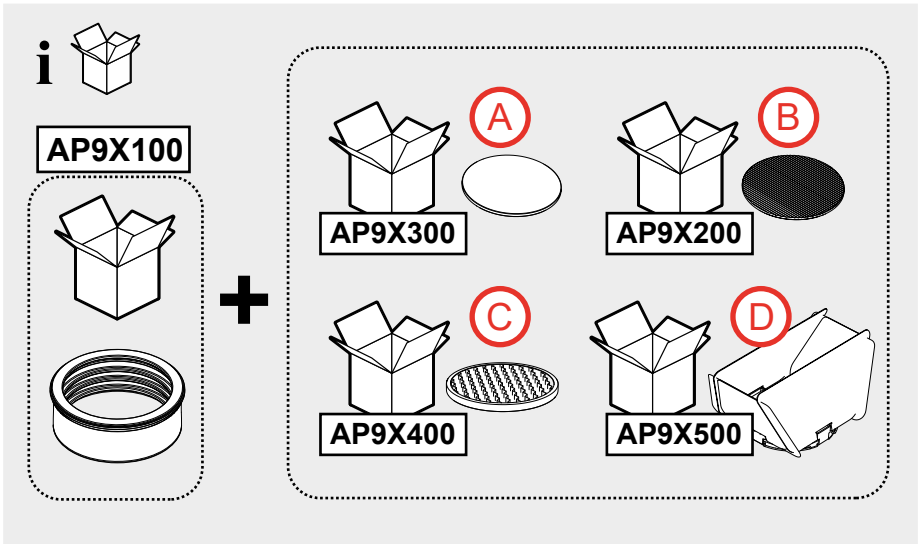
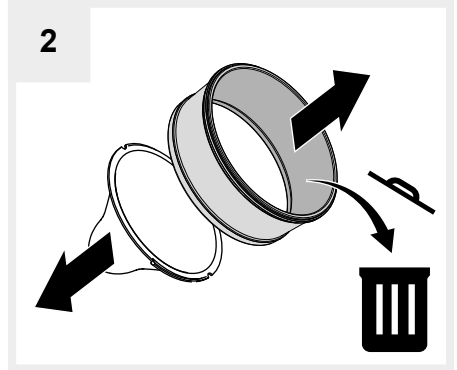
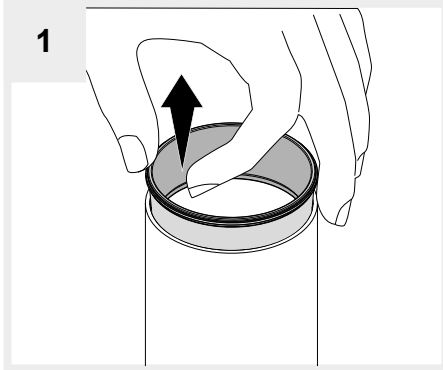
3



B




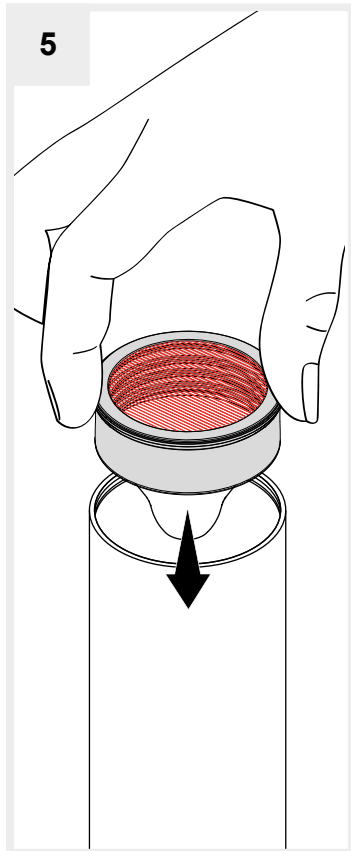
VECTOR 55 ACCESSORIES

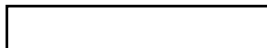


VECTOR 55 ACCESSORIES

i

	A	B	C	D	
1				•	
2	•	•	•		
3	•	•			
4	•	•			
5					•





Artemide Spa

via Bergamo, 18
20006 Pregnana M.se (MI)
ITALIA

Tel. +39 02 935 181
Fax +39 02 935 90 254
Fax +39 02 935 90 496

www.artemide.com

VAT IT00846890150