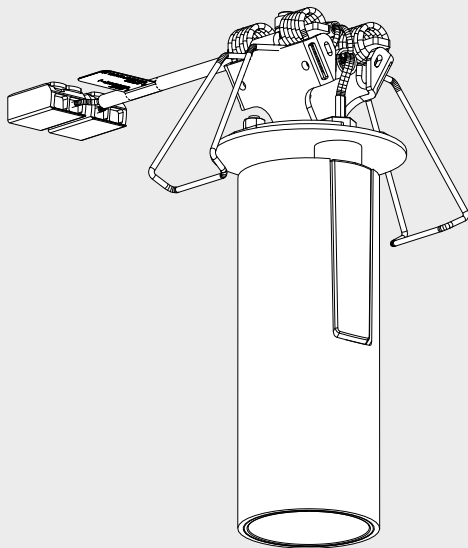
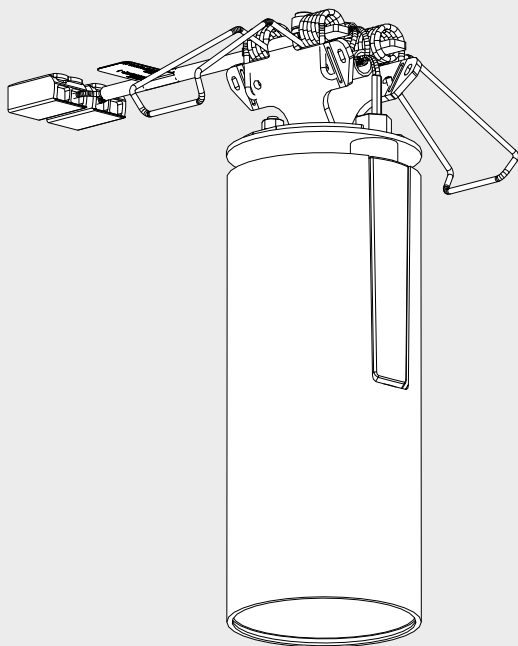


VECTOR 40 SEMI-RECESSED VECTOR 55 SEMI-RECESSED

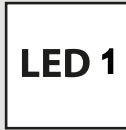
design
Carlotta De Bevilacqua





i

VECTOR
40/55 DALI

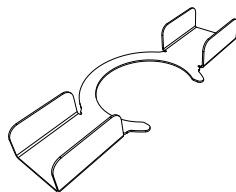
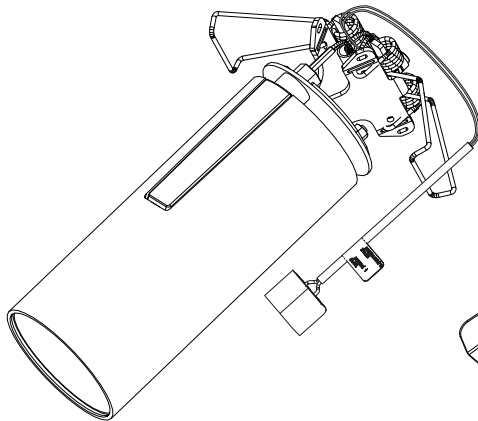
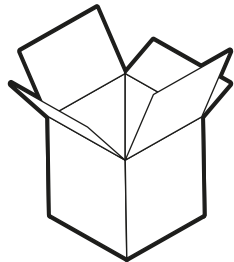
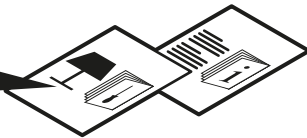
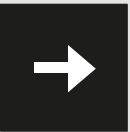
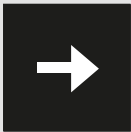
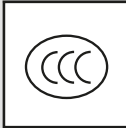
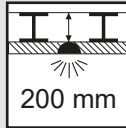
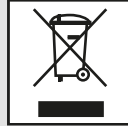


VECTOR 40

VECTOR 40



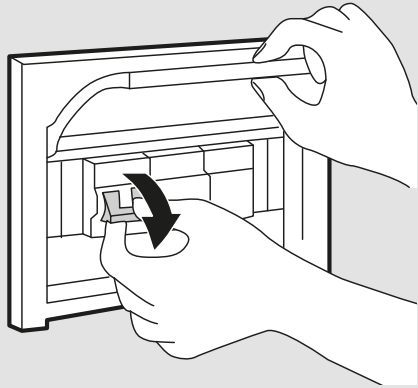
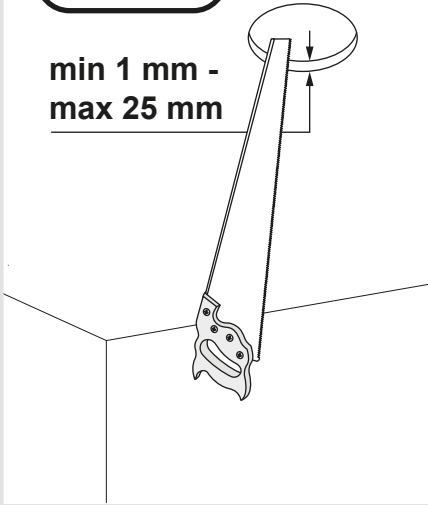
	LED1 from Dthr (m)		
	2700K	3000K	4000K
SP	1,6	1,6	2,15
FL	LED1	LED1	1,75
WF	LED1	LED1	1,75



1

ø 50 mm

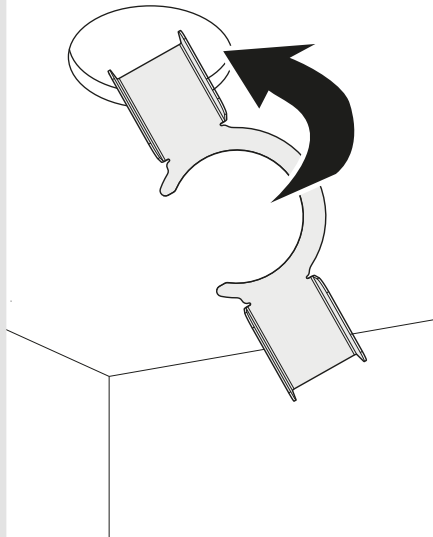
min 1 mm -
max 25 mm



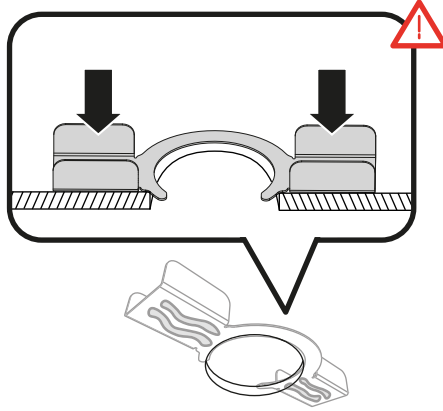
2



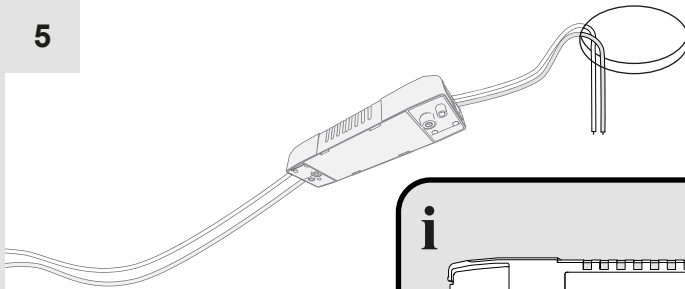
3



4



5



i

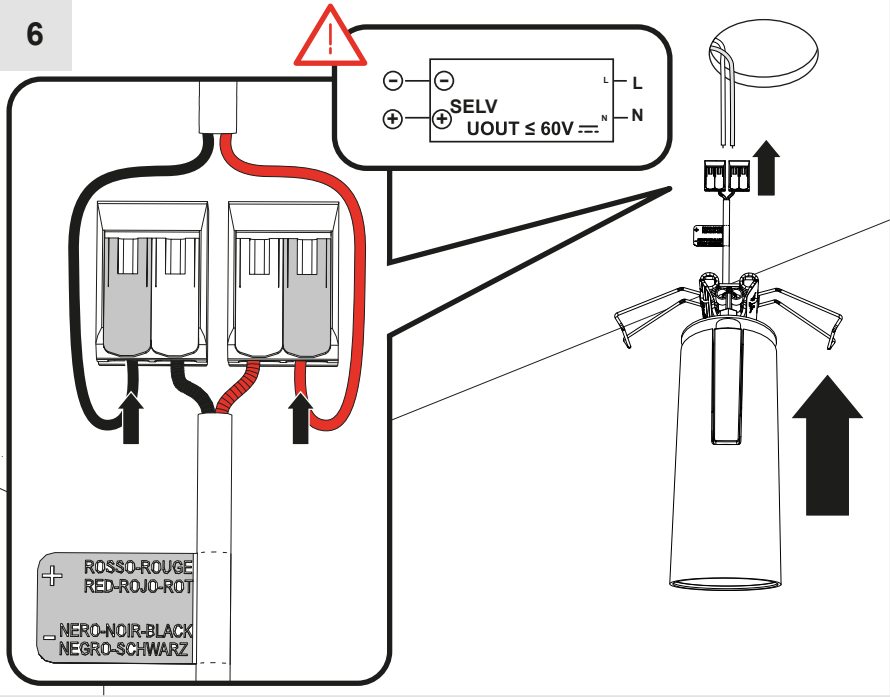
DV1030

DV1031

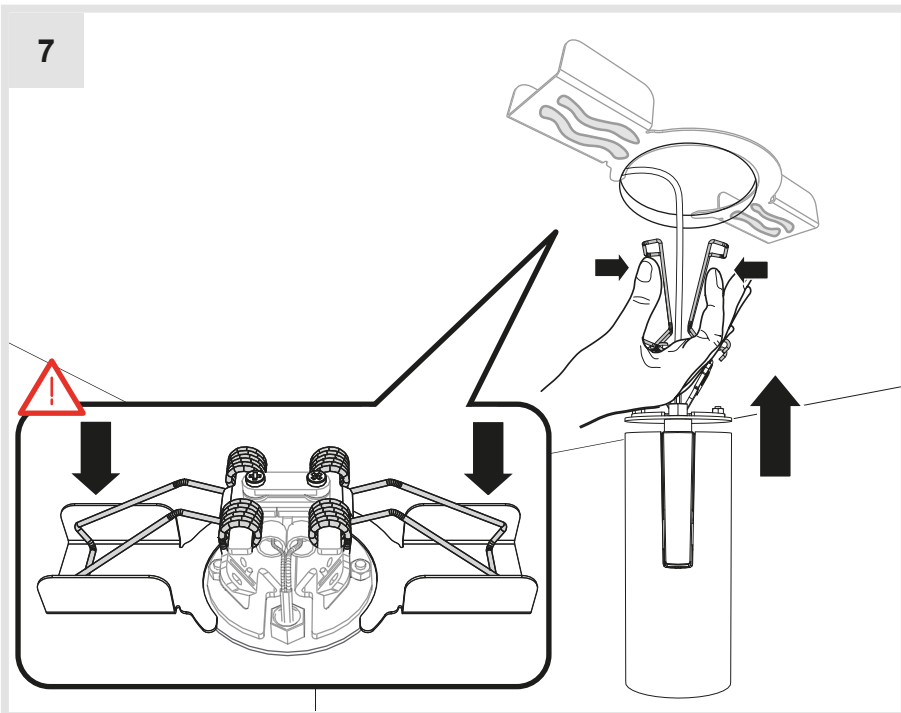
Y513001040

	Vout	mA	W
VECTOR 40	60V ---	700mA	8W
VECTOR 55	60V ---	600mA	21W

6



7

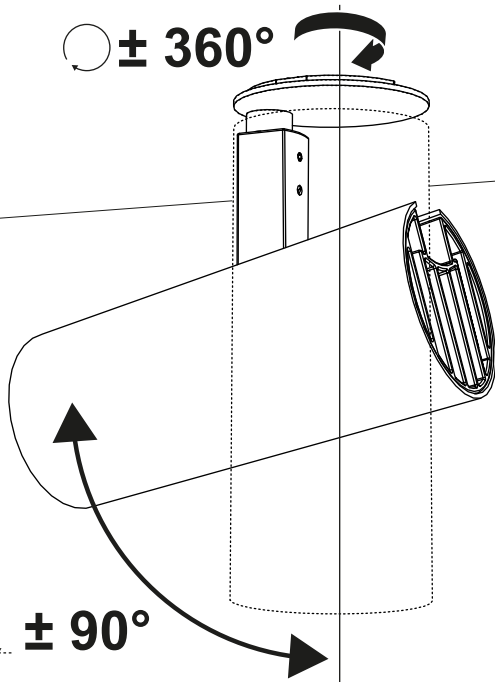




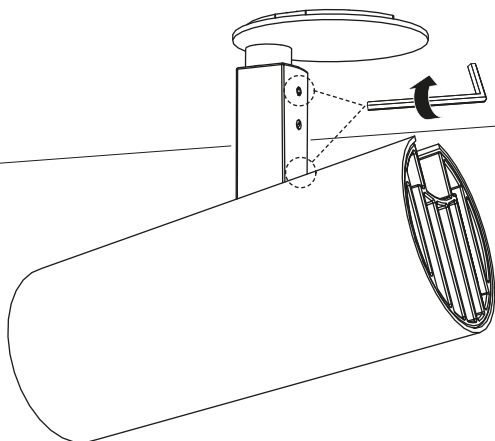
8

$\pm 360^\circ$

$\pm 90^\circ$

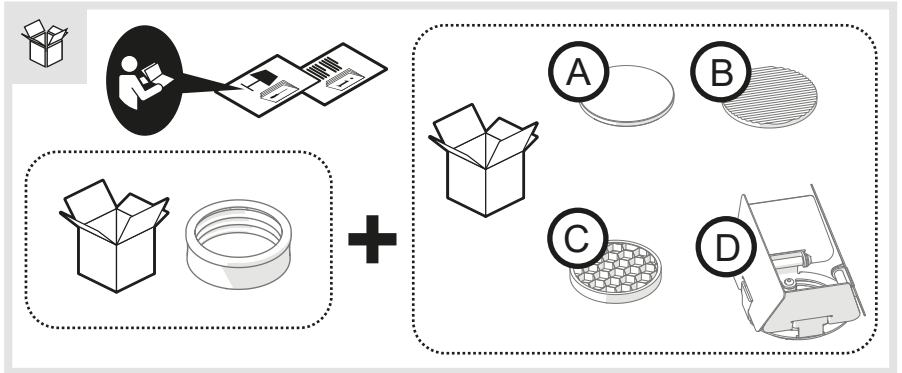


9

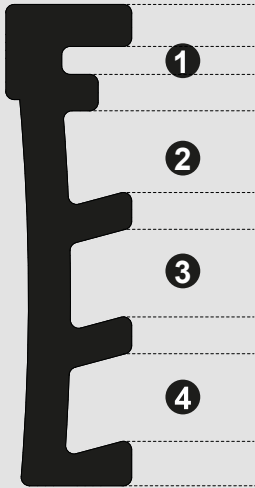




VECTOR 40/55 ACCESSORIES

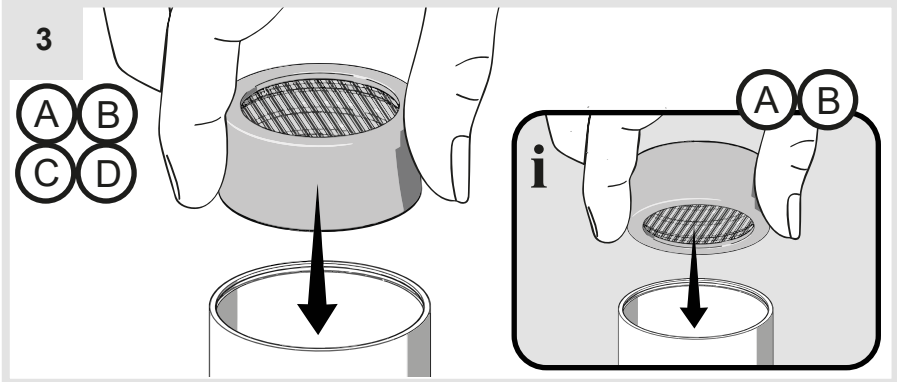
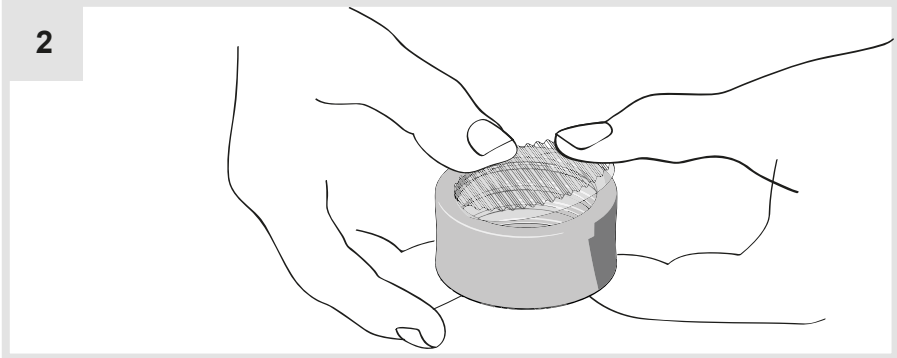
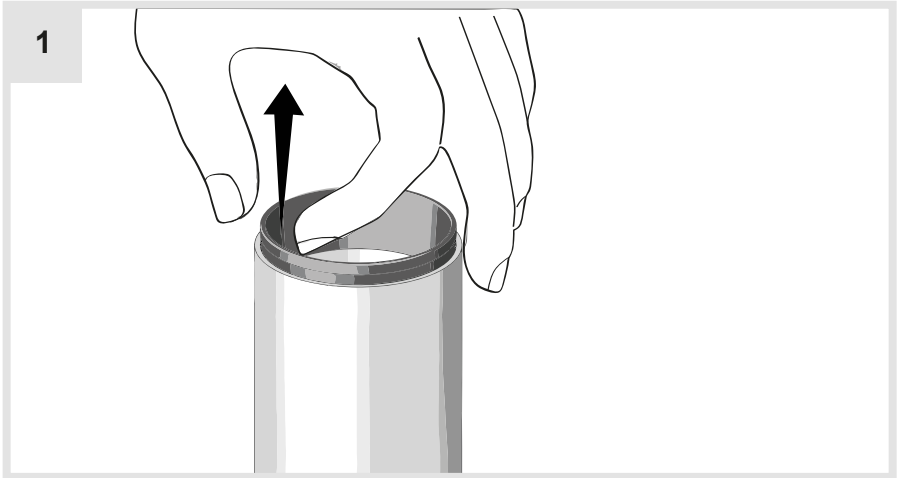


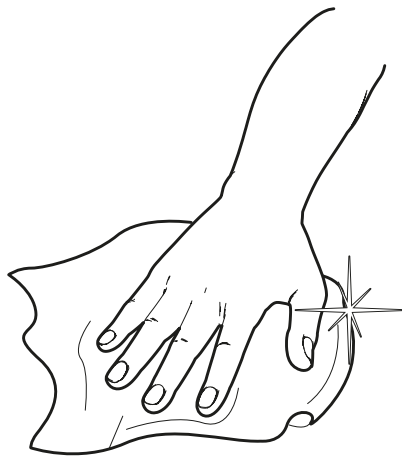
i



	A	B	C	VECTOR 55 D
1			X	X
2	X	X		
3	X	X		
4	X	X		

VECTOR 40/55 ACCESSORIES







Artemide Spa

via Bergamo, 18
20010 Pregnana M.se (MI)
ITALIA

Tel. +39 02 935 181
Fax +39 02 935 90 254
Fax +39 02 935 90 496

www.artemide.com

VAT IT00846890150