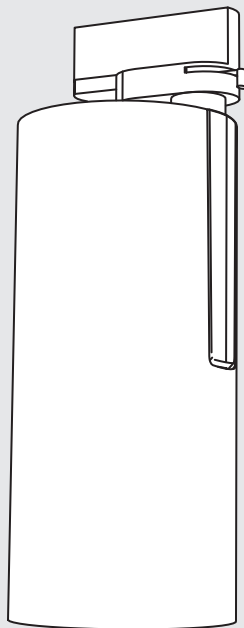
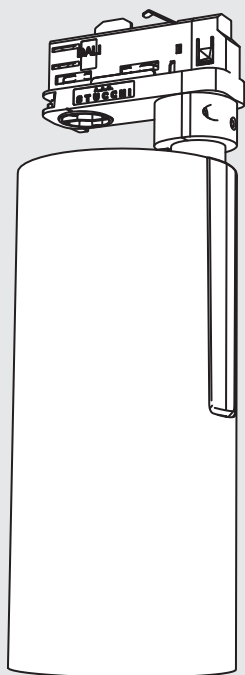


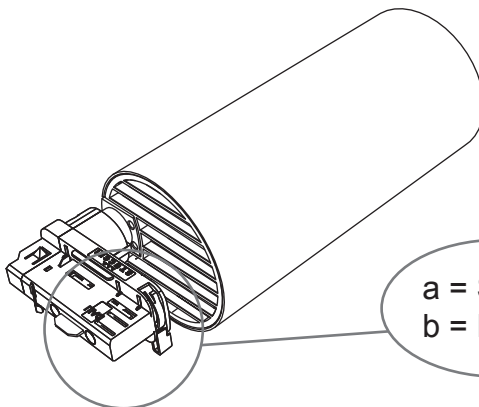
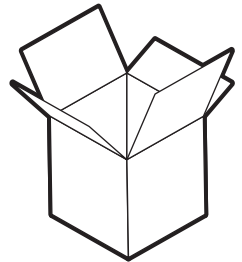
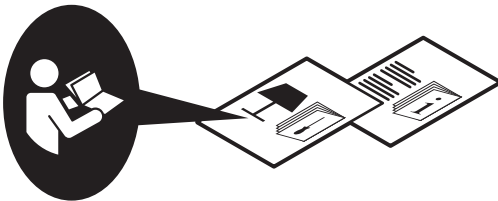
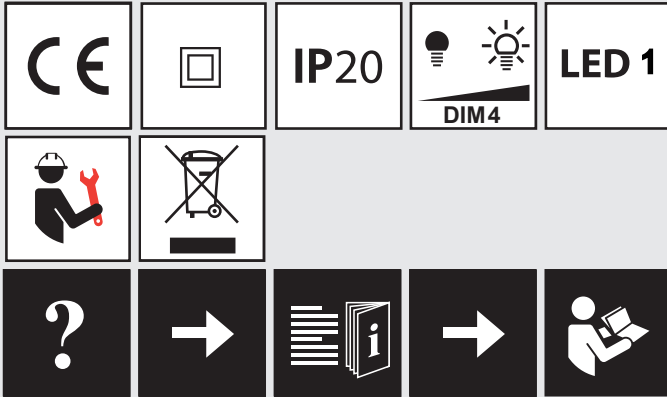
VECTOR 95 THREE-PHASE ON-OFF VECTOR 95 THREE-PHASE DALI

design
Carlotta de Bevilacqua

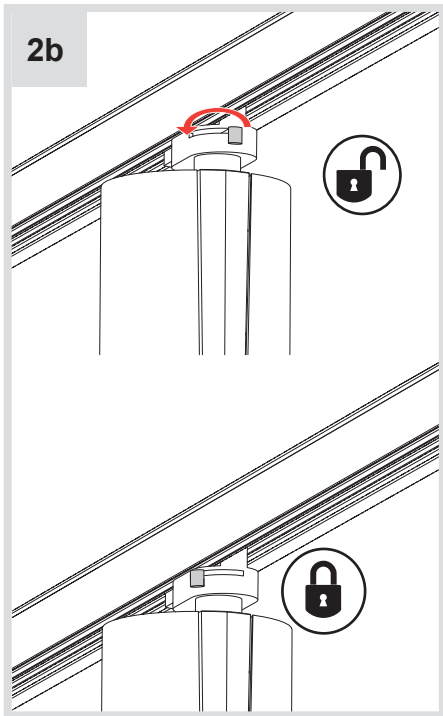
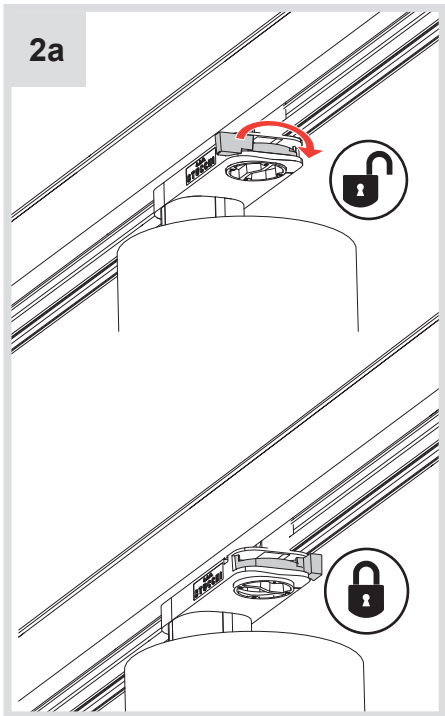
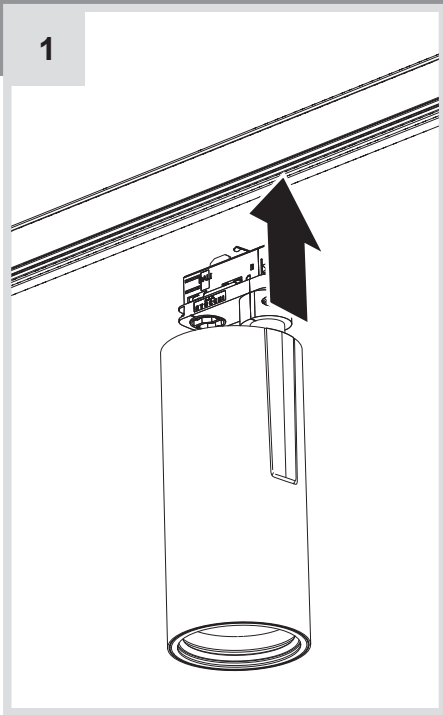
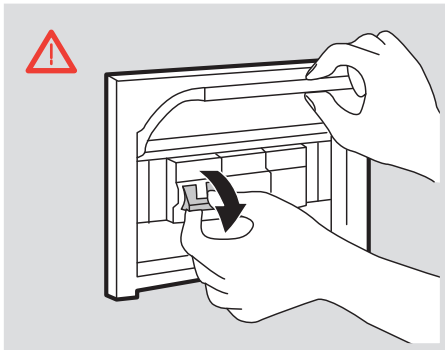
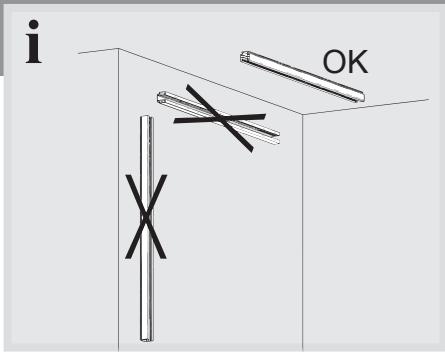


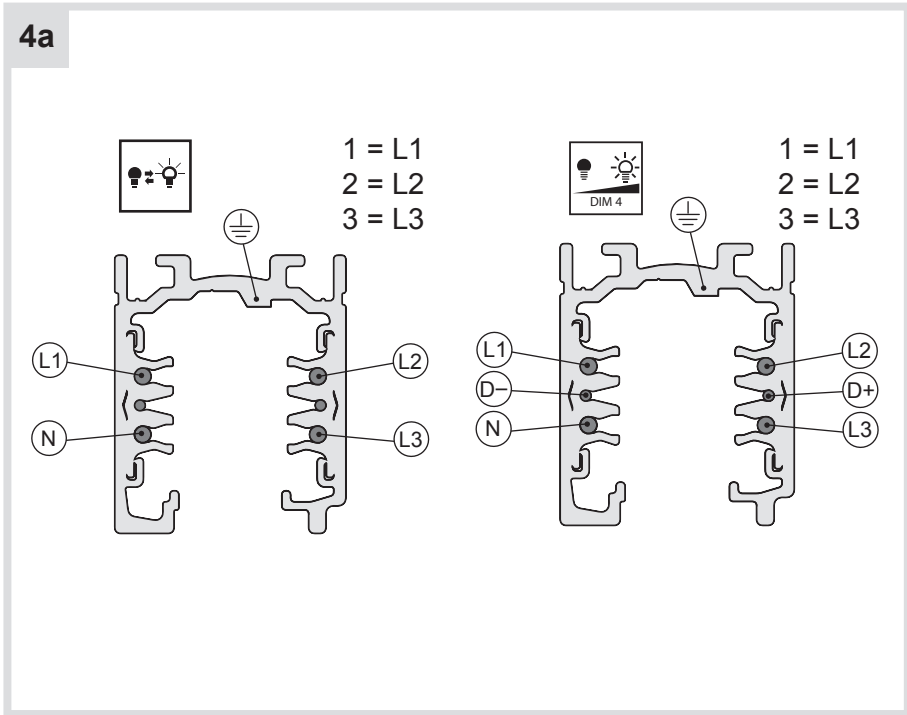
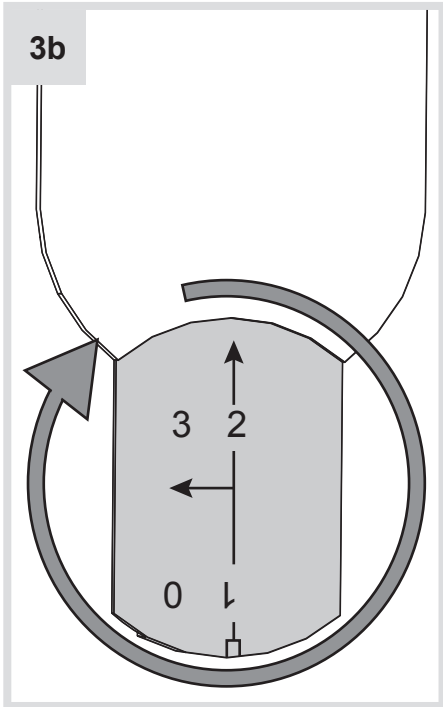
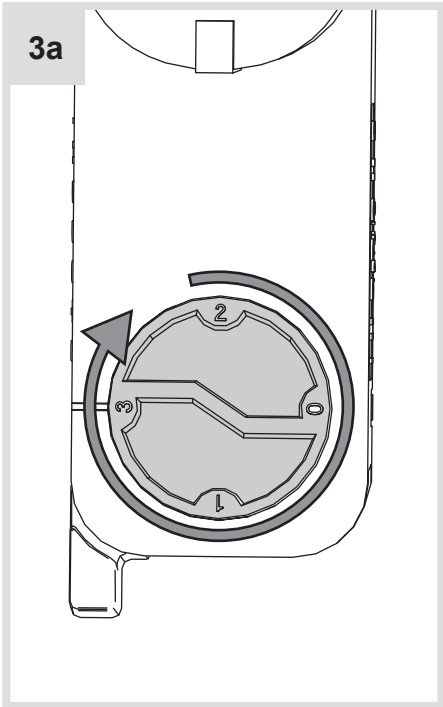


i



a = Stucchi
b = Eutrac





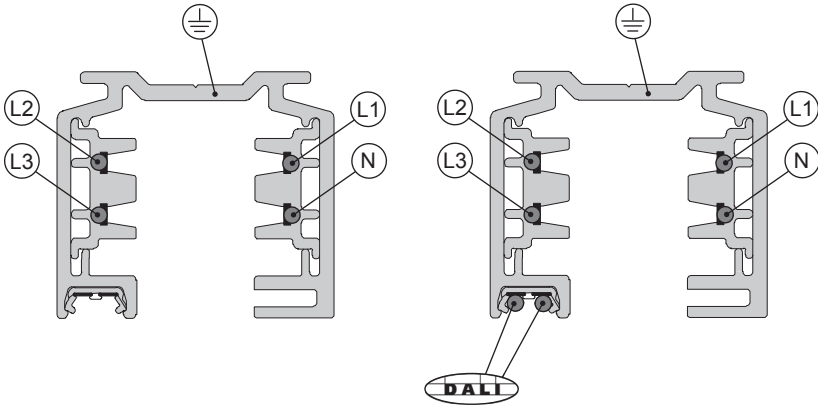
4b



1 = L1
2 = L2
3 = L3



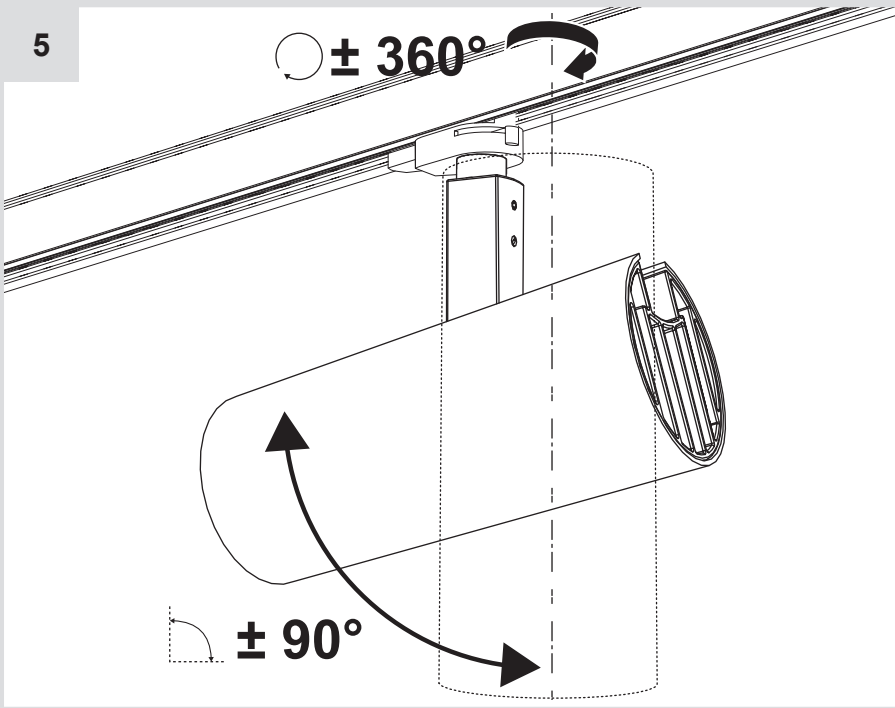
1 = L1
2 = L2
3 = L3



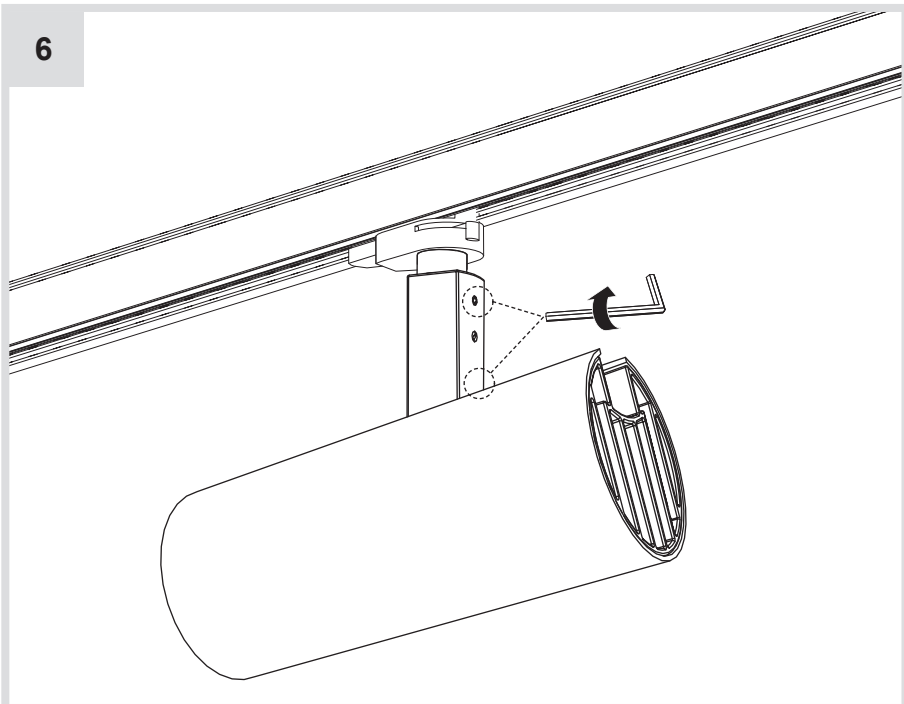
5

$\pm 360^\circ$

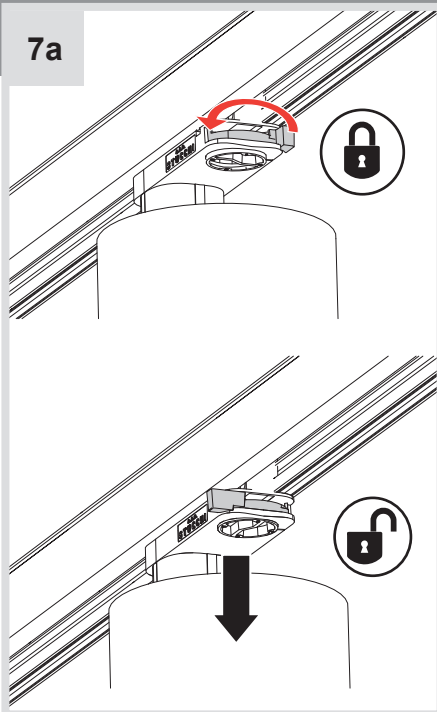
$\pm 90^\circ$



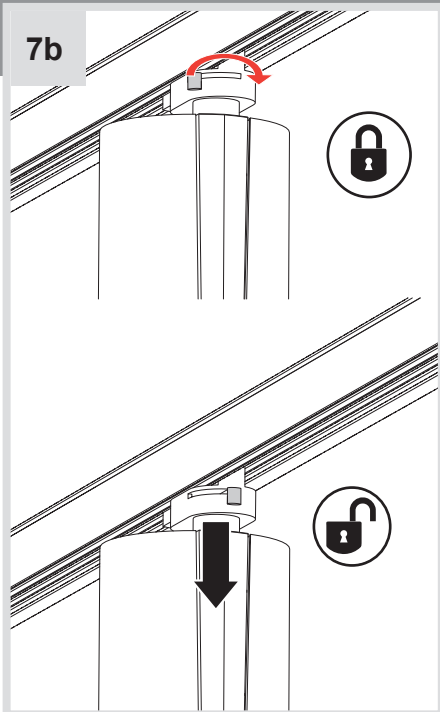
6

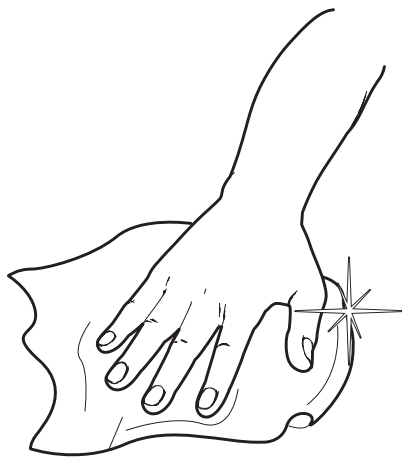


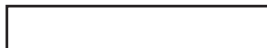
7a



7b







Artemide Spa

via Bergamo, 18
20010 Pregnana M.se (MI)
ITALIA

Tel. +39 02 935 181
Fax +39 02 935 90 254
Fax +39 02 935 90 496

www.artemide.com

VAT IT00846890150