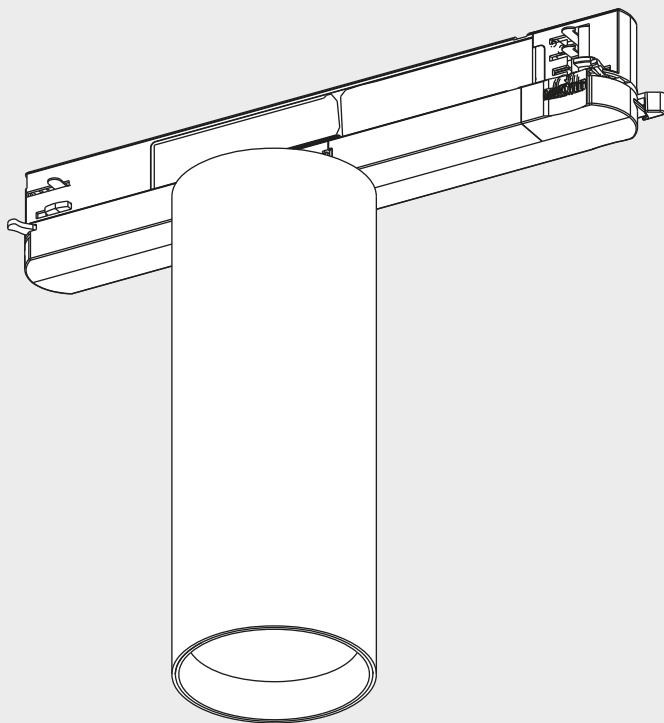


## VECTOR 75 TRACK TW

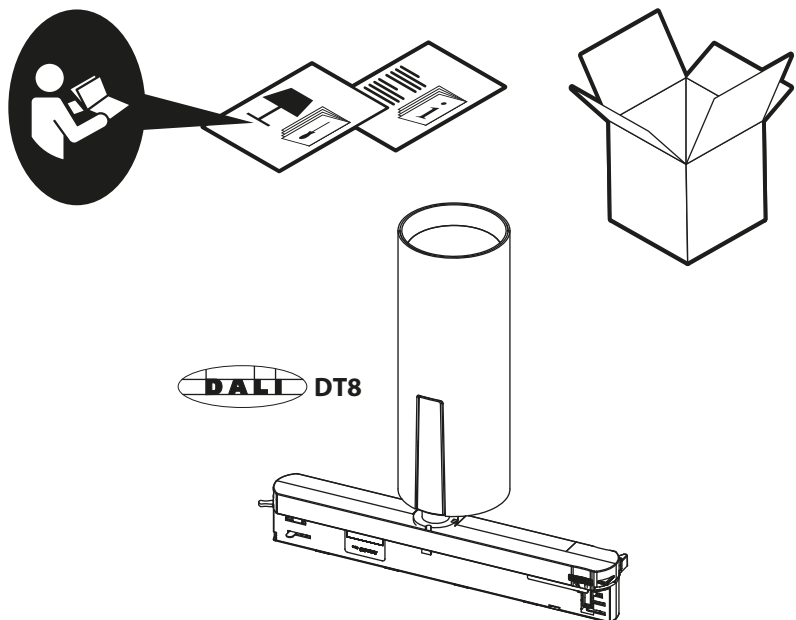
design  
Carlotta De Bevilacqua

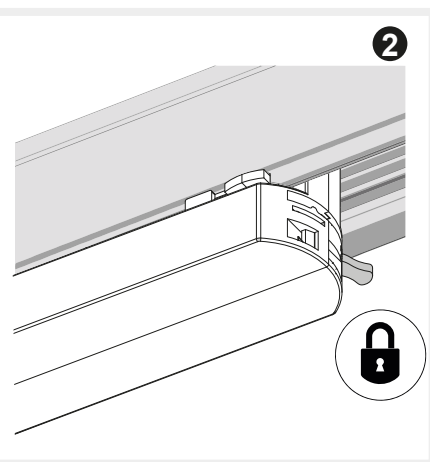
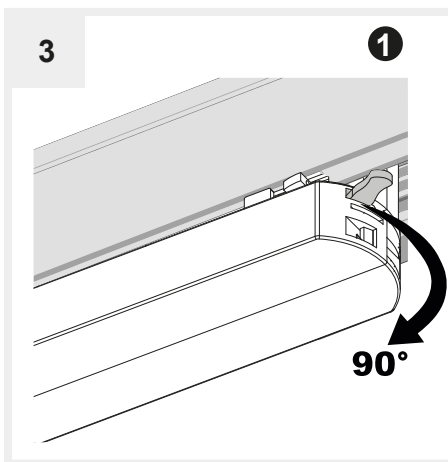
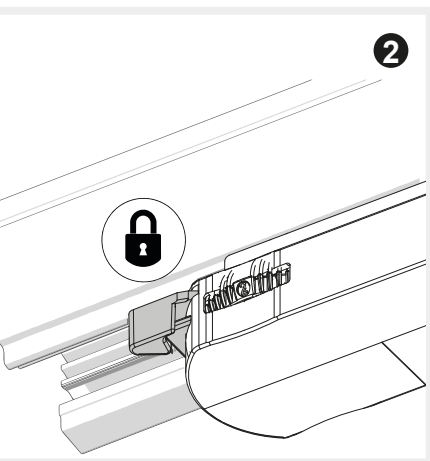
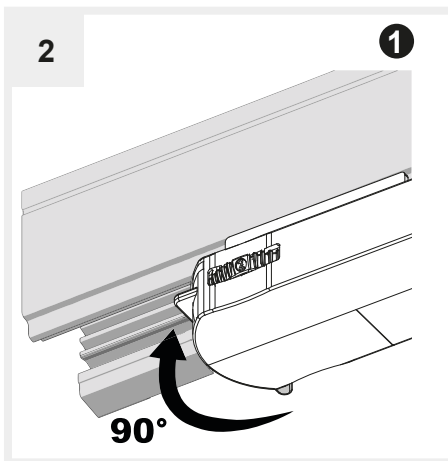
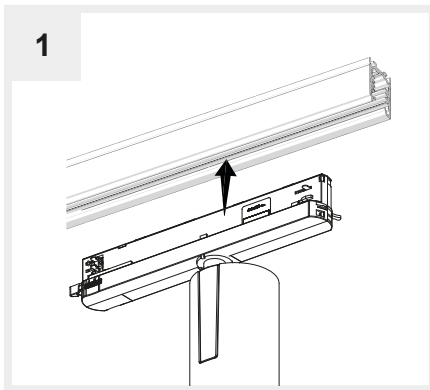
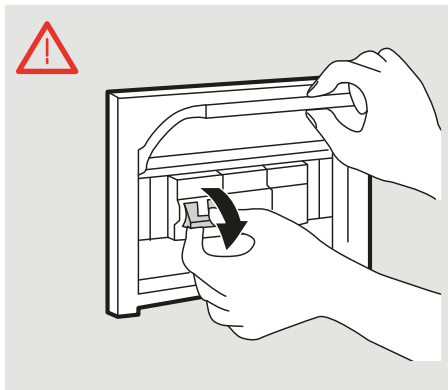




i

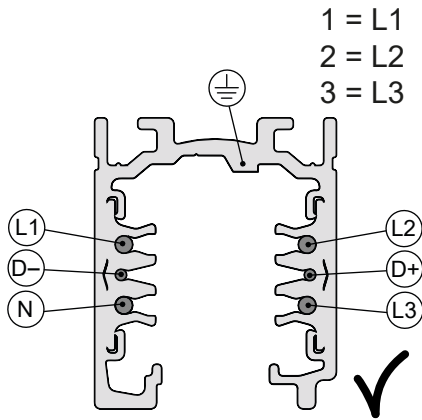
		<b>IP20</b>		<b>LED 1</b>
				<b>UK CA</b>



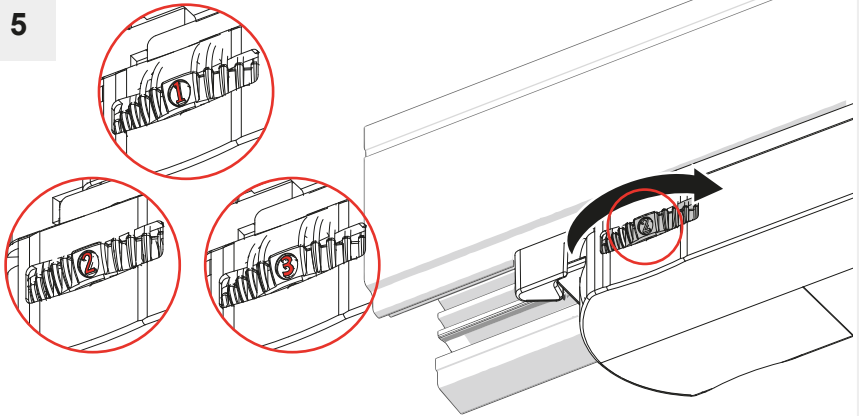


4

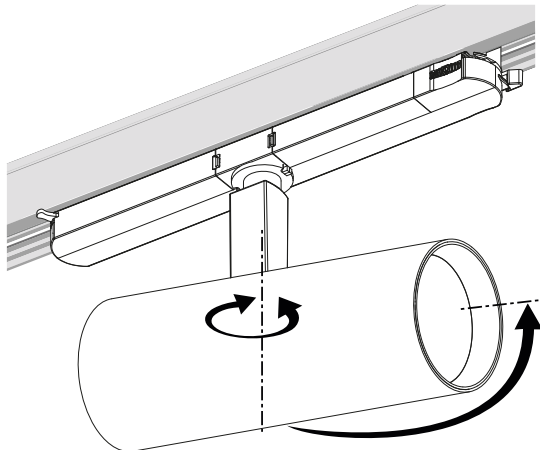
Use on  
AAG STUCCHI  
9000 SERIES  
tracks



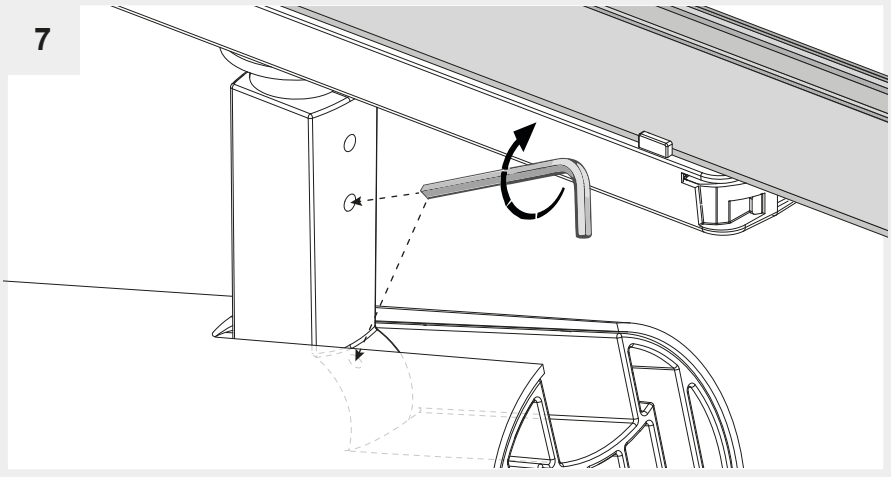
5



6



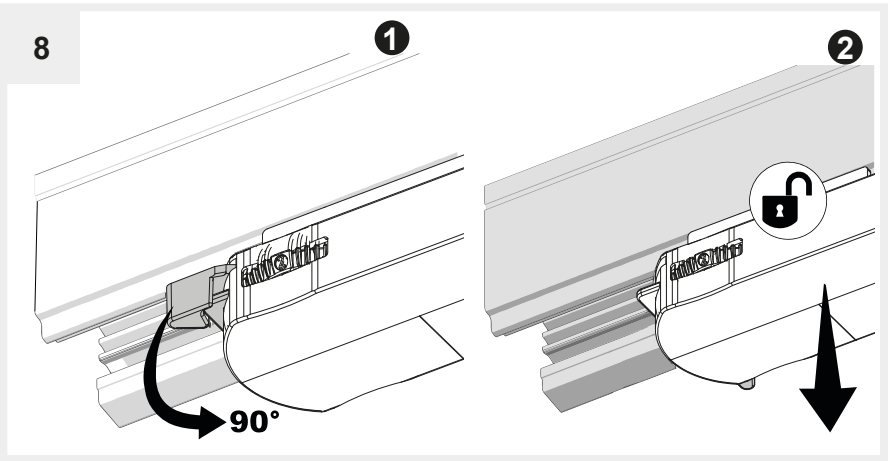
7



8

1

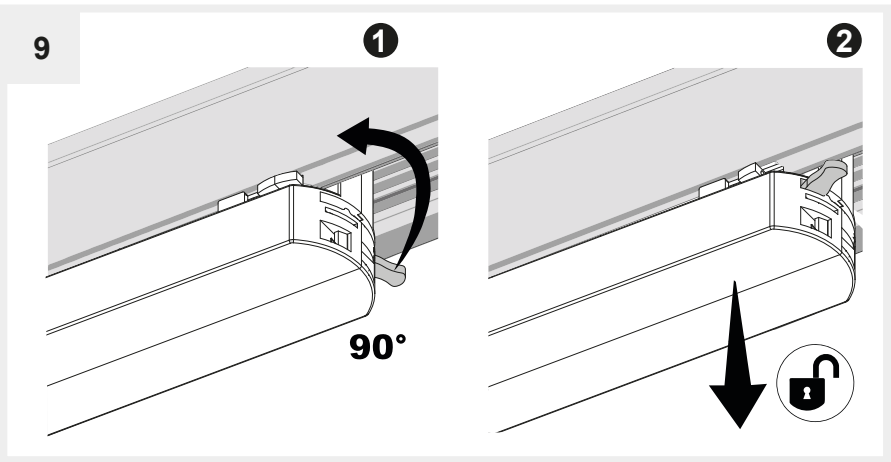
2



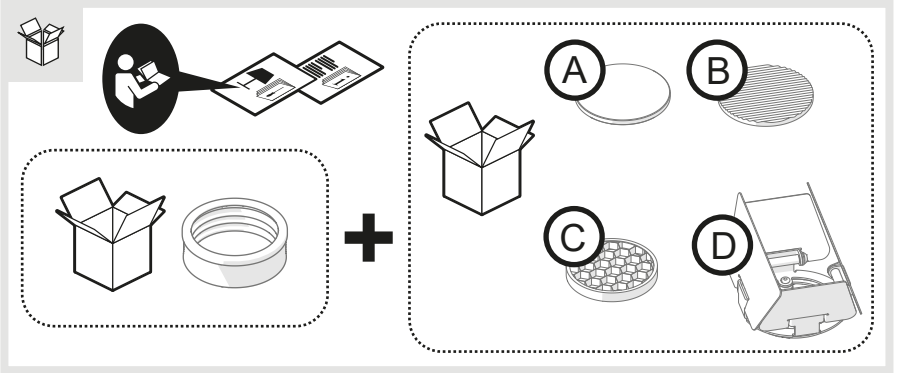
9

1

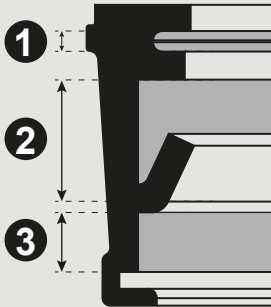
2



# VECTOR 75 ACCESSORIES



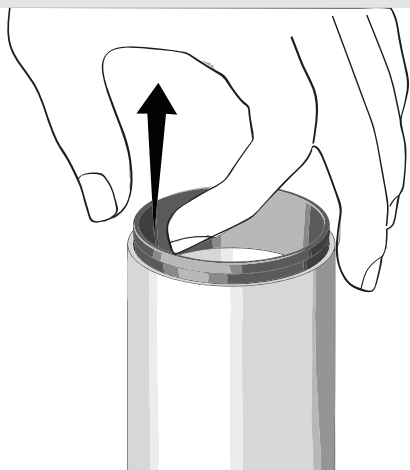
**i**



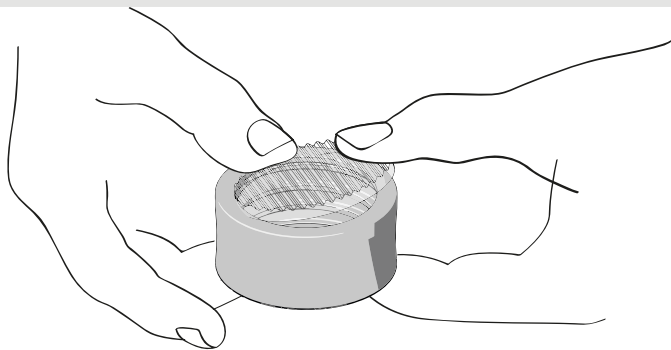
	A	B	C	D
1				X
2			X	
3	X			
		X		

# VECTOR 75 ACCESSORIES

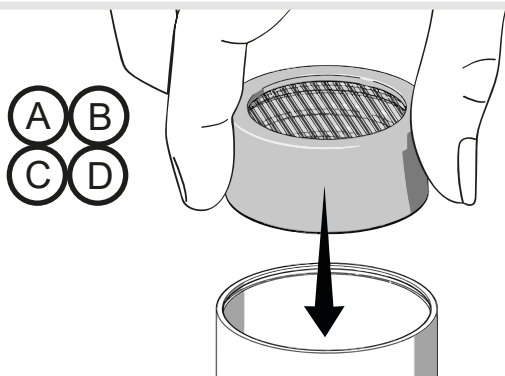
1

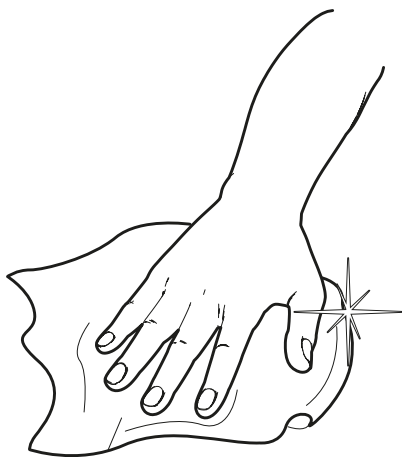


2



3





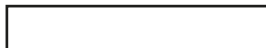








# Artemide®



## **Artemide**

via Bergamo, 18  
20006 Pregnana M.se (MI)  
ITALIA

tel. +39 02 935 181  
fax +39 02 935 90 254  
fax +39 02 935 90 496

[www.artemide.com](http://www.artemide.com)

VAT IT00846890150

## **Artemide Inc.**

250 Karin Lane  
Hicksville, NY 11801

Tel. 631 694 9292  
Toll Free 1-877-Art-9111  
Fax 631 694 9275

[www.artemide.net](http://www.artemide.net)

## **Artemide Ltée/Ltd.**

11105 rue Renaude Lapointe  
Montréal, Québec H1J 2T4

Tel. 514 323 6537  
Toll Free 888 777 2783  
Fax 514 323 8864

[www.artemide.net](http://www.artemide.net)

cod. Y513001560D