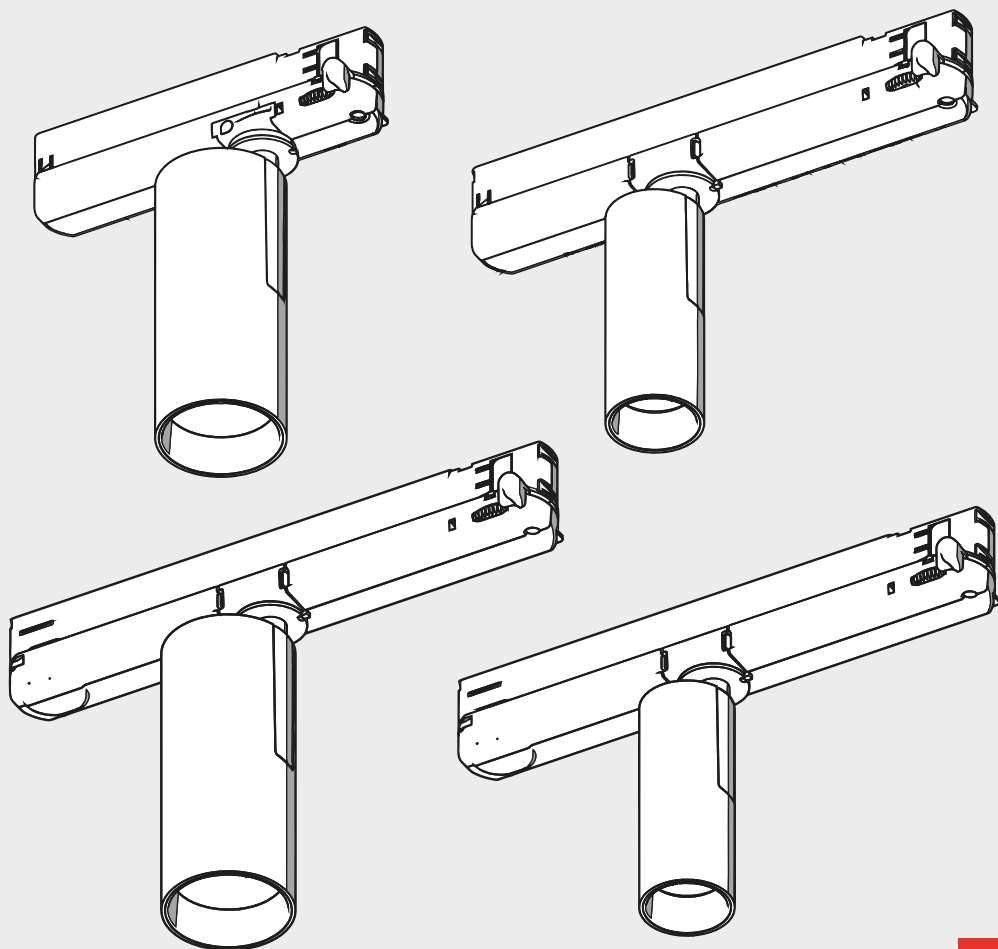


VECTOR 40/55 THREE-PHASE ON-OFF
VECTOR 40/55 THREE-PHASE DALI
VECTOR 55 ZOOM THREE-PHASE DALI

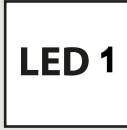
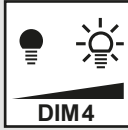
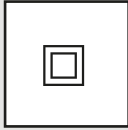
design
Carlotta De Bevilacqua





i

VECTOR
40/55 DALI

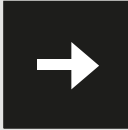
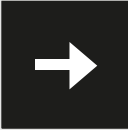


VECTOR 40

VECTOR 40

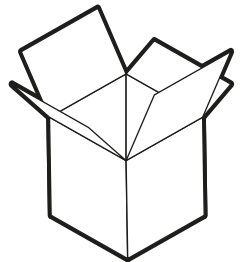
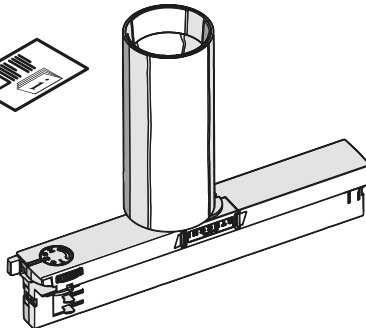


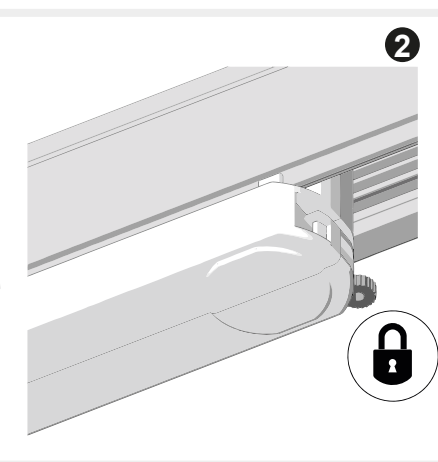
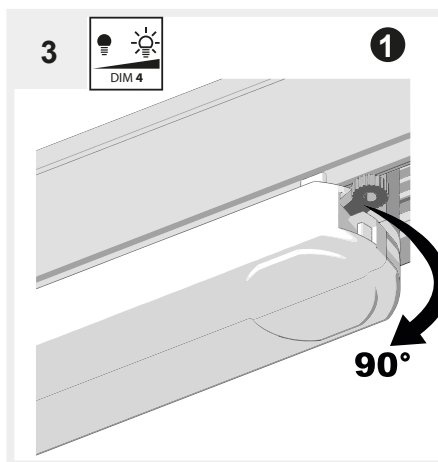
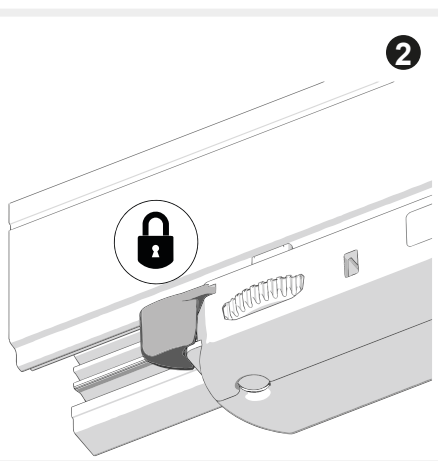
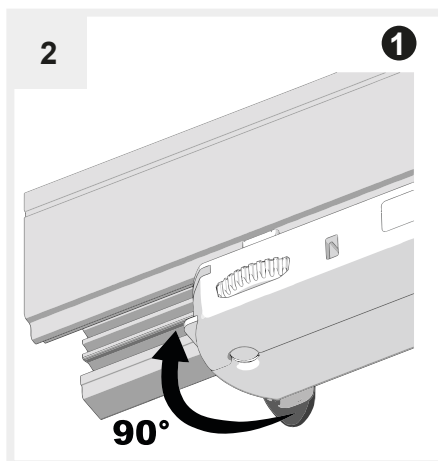
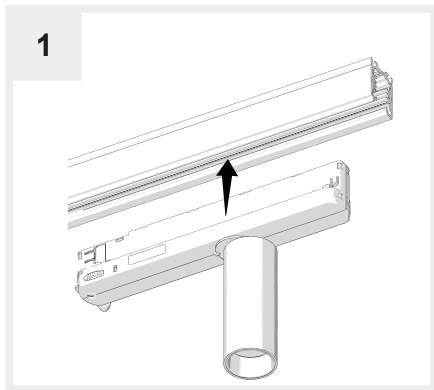
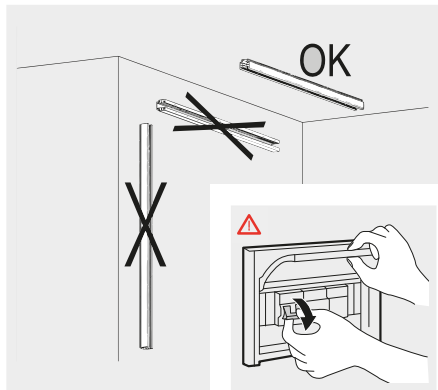
	LED1 from Dthr (m)		
	2700K	3000K	4000K
SP	1,6	1,6	2,15
FL	LED1	LED1	1,75
WF	LED1	LED1	1,75



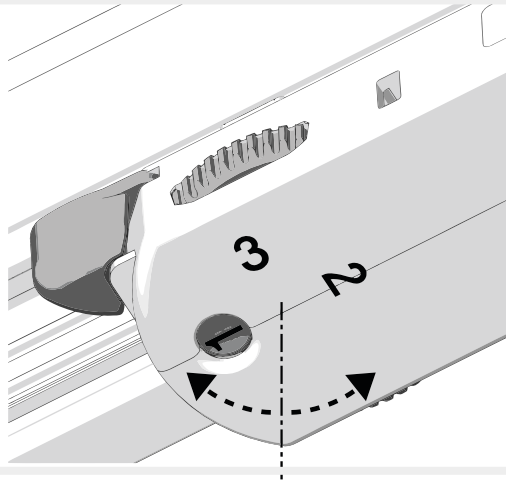
i

	Inrush current (typ @230VAC) [A]	t _{width} measured at 50% I _{peak} [µsec]	Number of spots under same MCB		
			B16A	B20A	B25A
DALI	5	50	50	62	75
ND	5	50	50	62	75





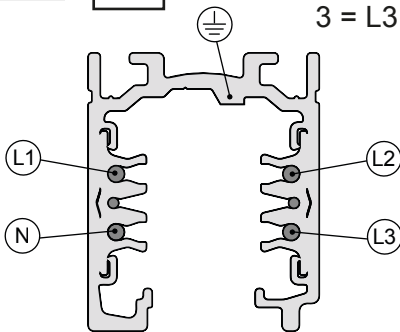
4



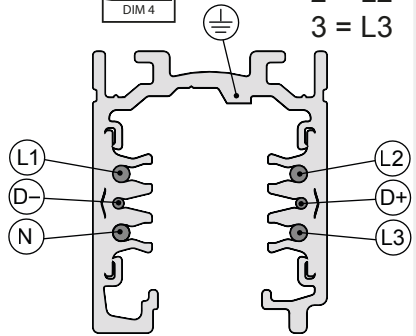
5



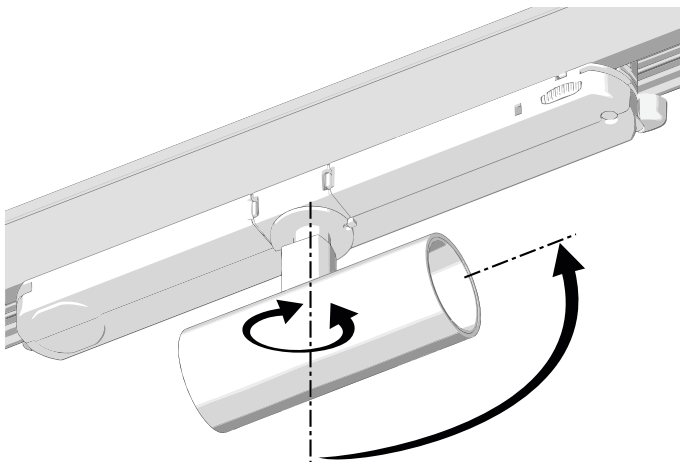
1 = L1
2 = L2
3 = L3



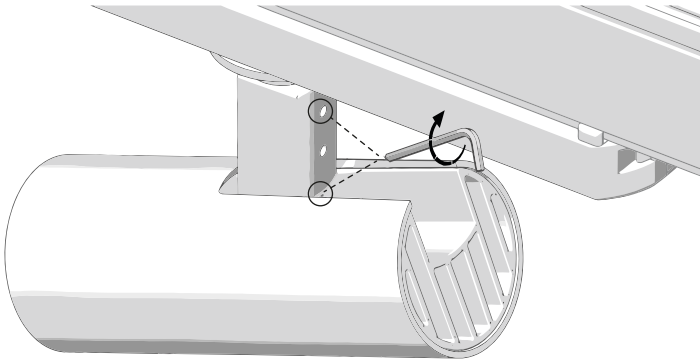
1 = L1
2 = L2
3 = L3



6



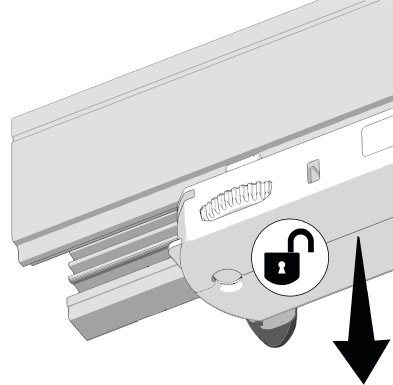
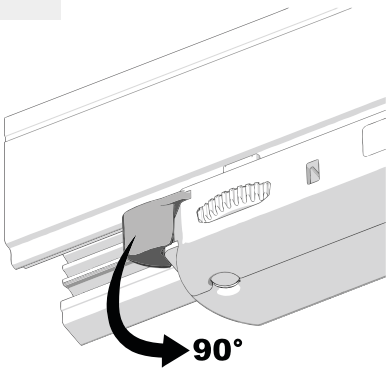
7



8

1

2

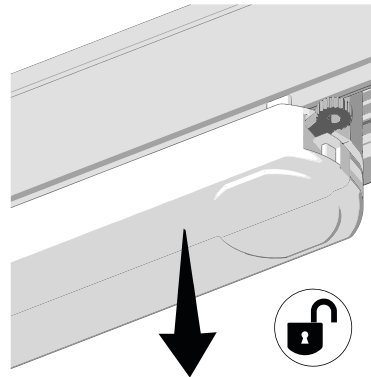
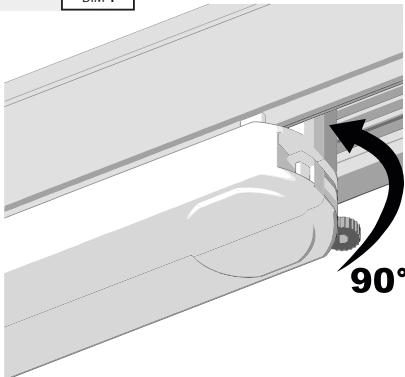


9

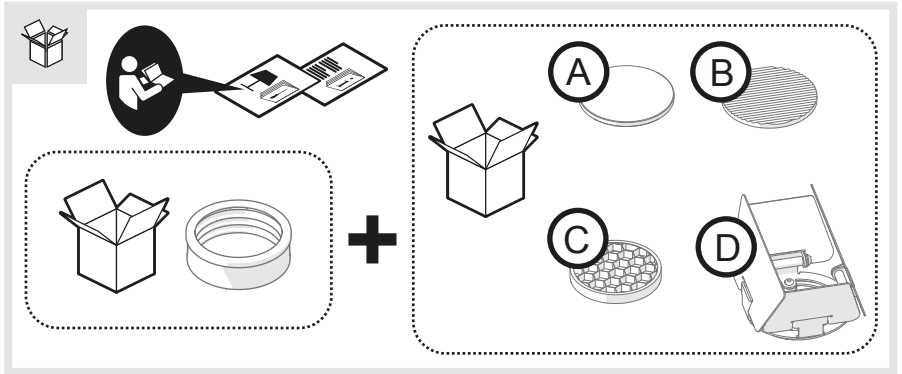


1

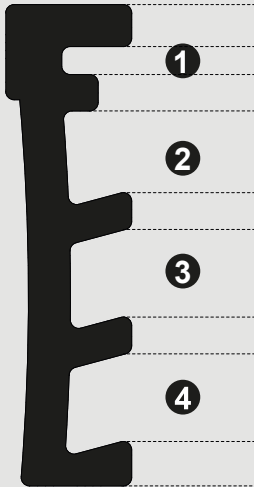
2



VECTOR 40/55 ACCESSORIES

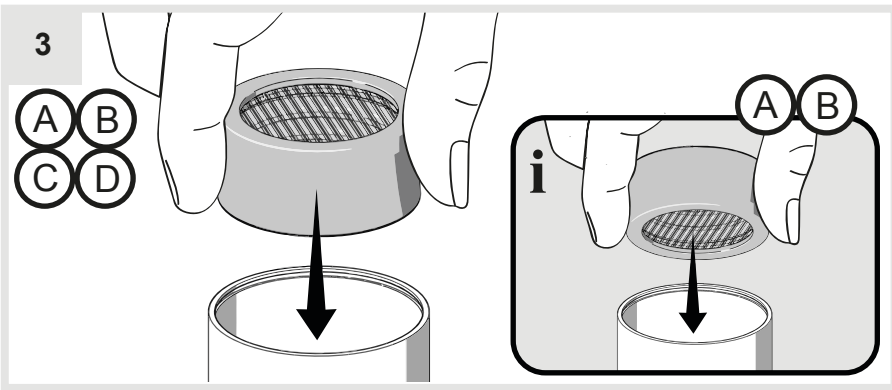
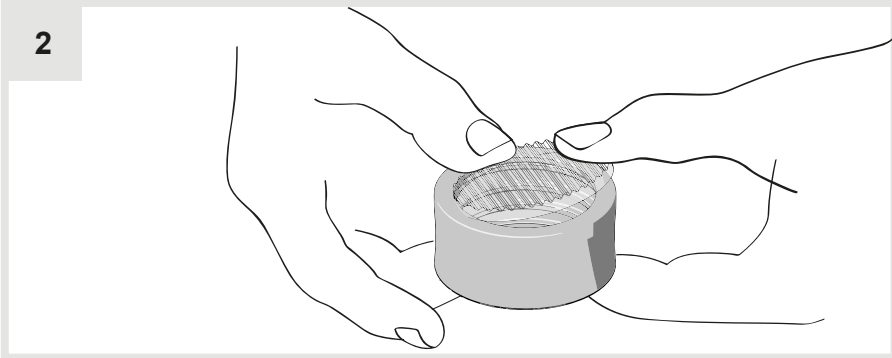
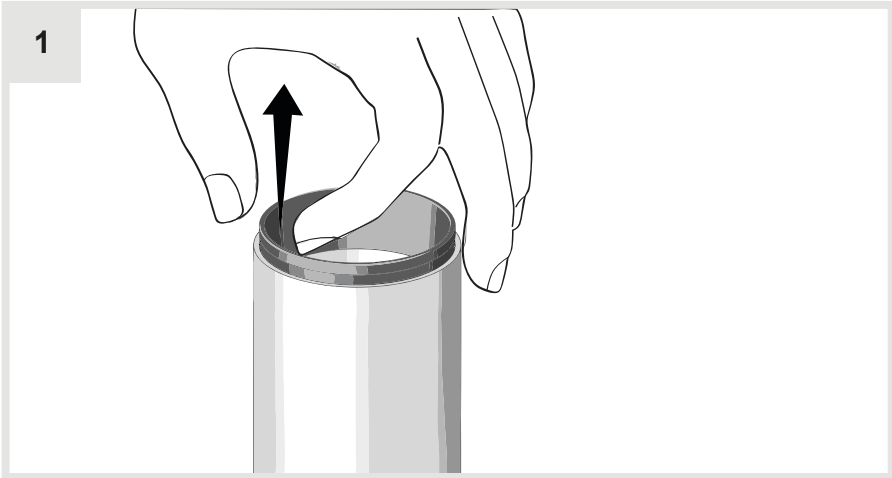


i

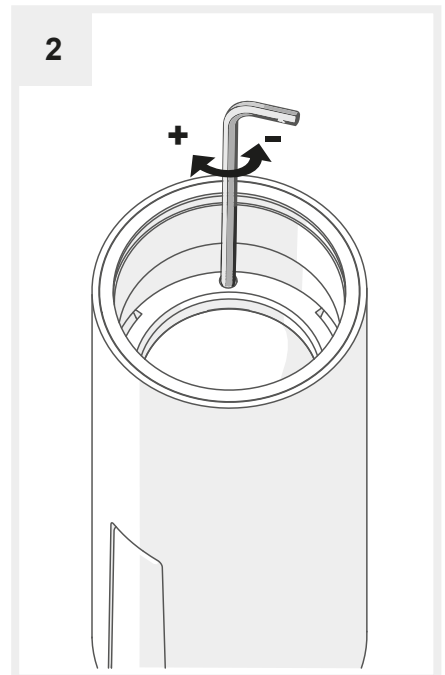
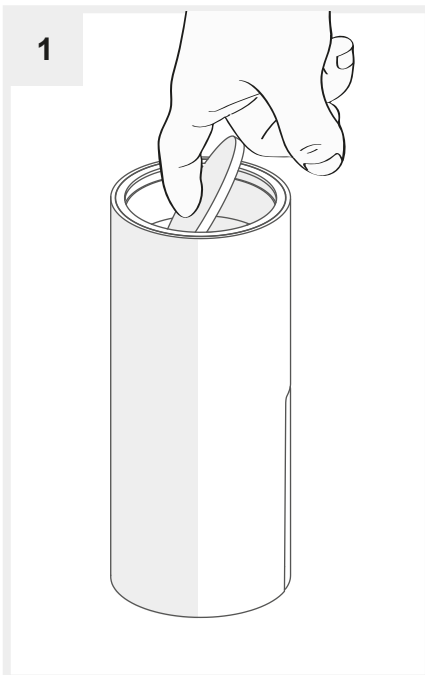
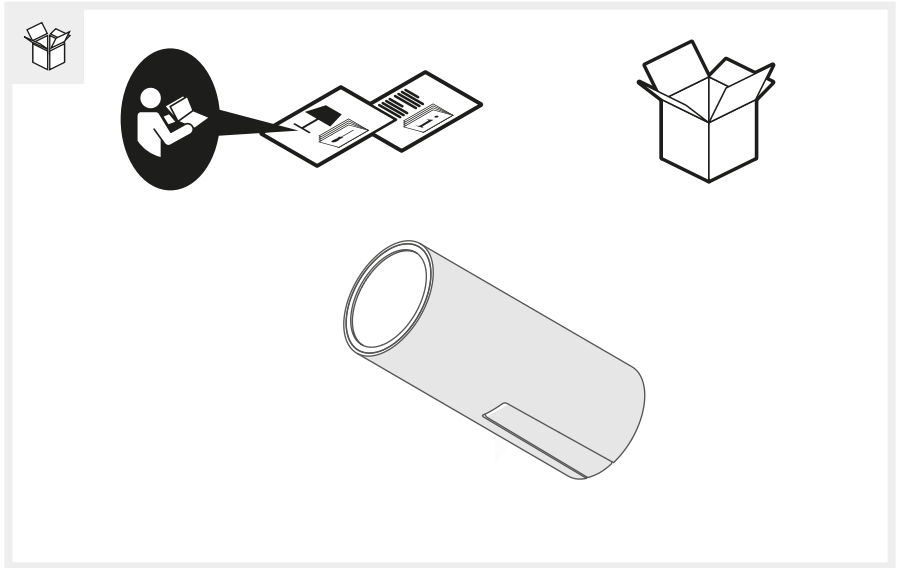


	A	B	C	VECTOR 55 D
1				X
2	X	X	X	
3	X	X		
4	X	X		

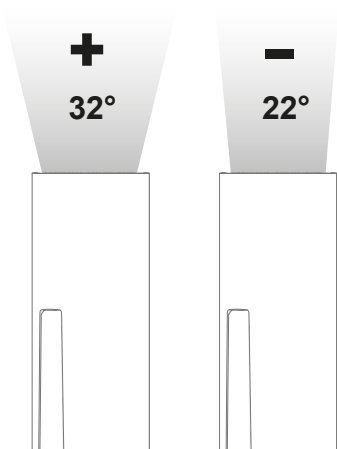
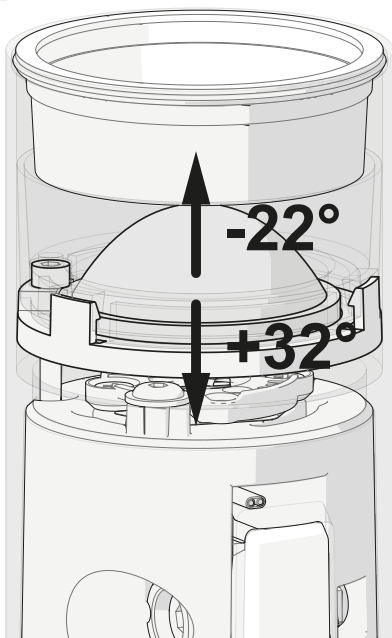
VECTOR 40/55 ACCESSORIES



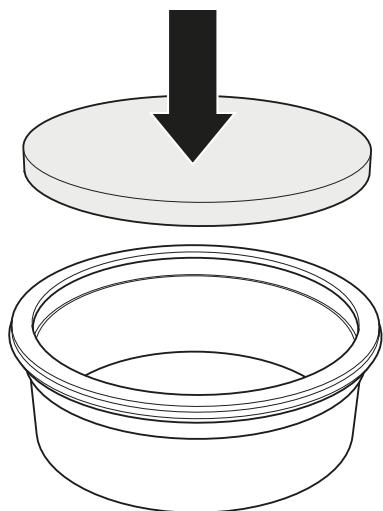
VECTOR 55 ZOOM THREE-PHASE DALI



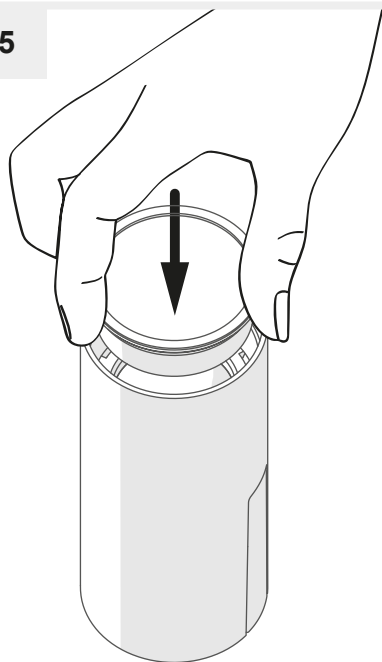
3

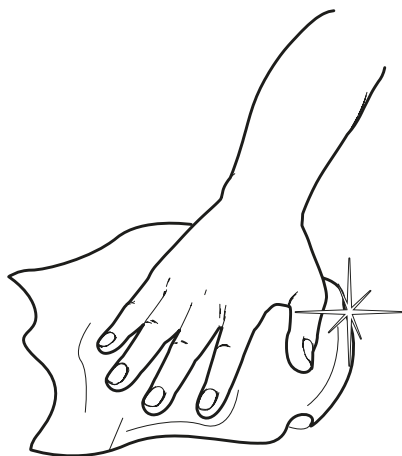


4

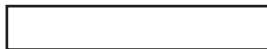


5





ND / DIM	Driver	Max # V40	Max # V55	Ø [mm ²]	L [mm]	Fig.
	ELG150-48	14		1.5	2-25	1
			5	1.5	2-15	1
			5	2.5	2-25	1
	HLG240-48	22		1.5	2-25	1
			8	1.5	2-15	1
			8	2.5	2-25	1
	Driver	Max # V40	Max # V55	Ø [mm ²]	L [mm]	Fig.
	ELG150-48	10		2.5	2-25	2
		14		4	2-15	2
		14		6	2-25	2
			3	2.5	2-25	2
			5	4	2-15	2
			5	6	2-25	2
HLG240-48	14		2.5	2-25	2	
	22		4	2-15	2	
	22		6	2-25	2	
		5	2.5	2-25	2	
		8	4	2-15	2	
		8	6	2-25	2	



Artemide Spa

via Bergamo, 18
20006 Pregnana M.se (MI)
ITALIA

Tel. +39 02 935 181
Fax +39 02 935 90 254
Fax +39 02 935 90 496

www.artemide.com

VAT IT00846890150