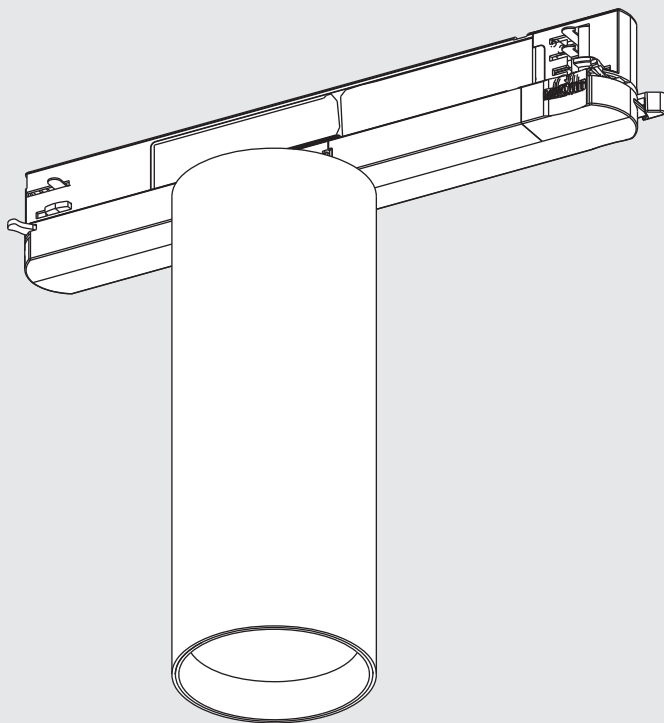


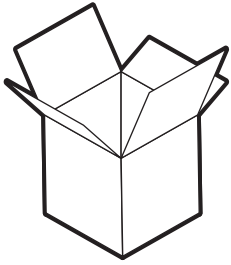
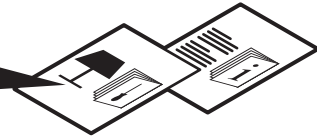
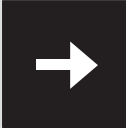
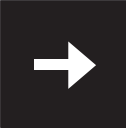
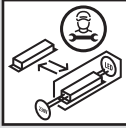
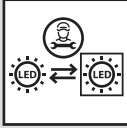
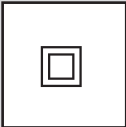
VECTOR 75 TRACK TW

design
Carlotta De Bevilacqua

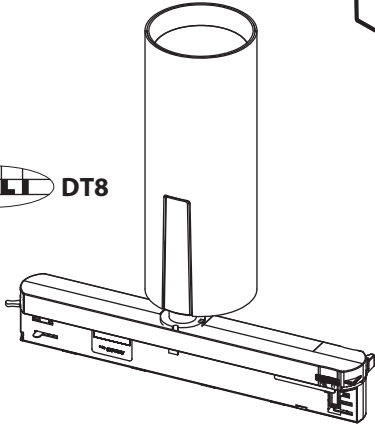


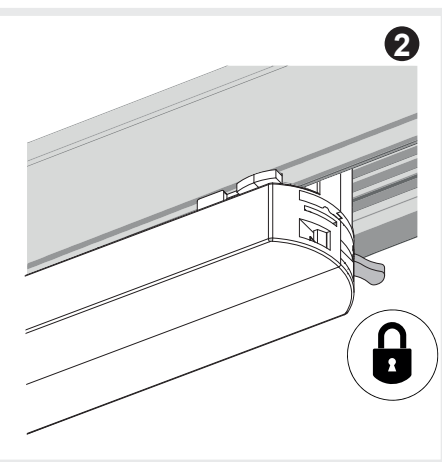
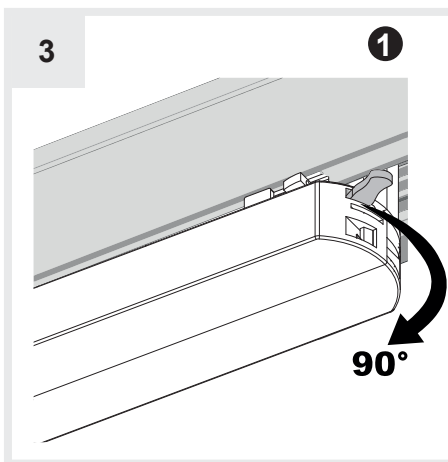
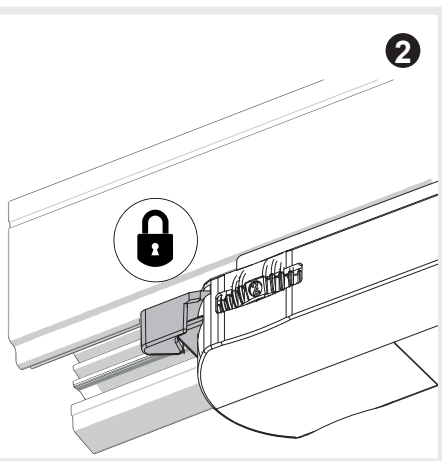
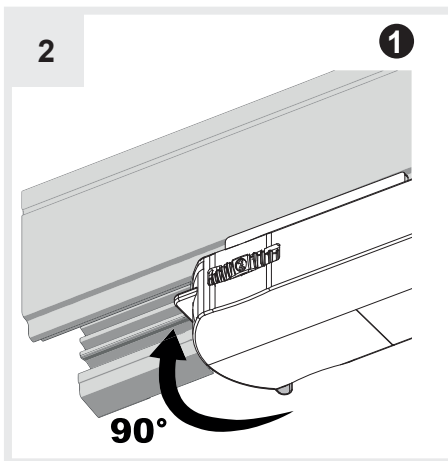
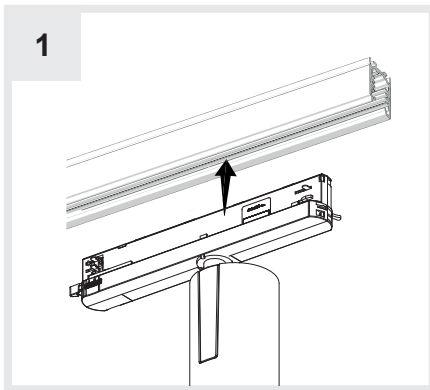
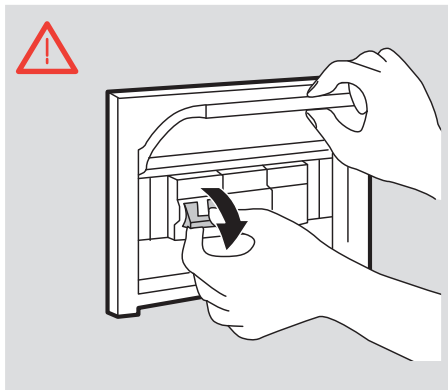


i



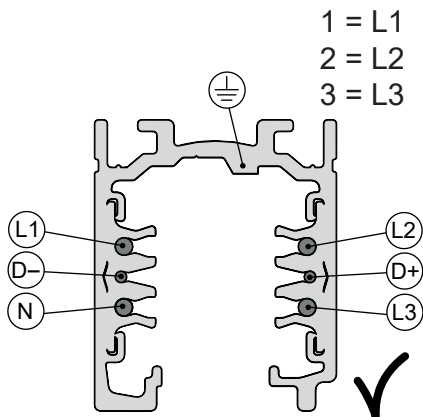
DALI DT8



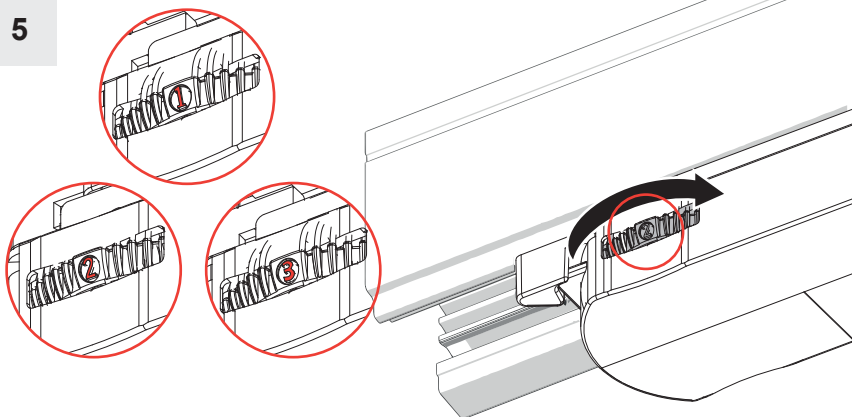


4

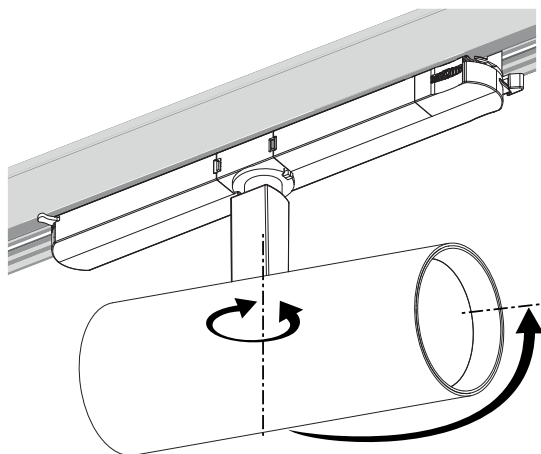
Use on
AAG STUCCHI
9000 SERIES
tracks



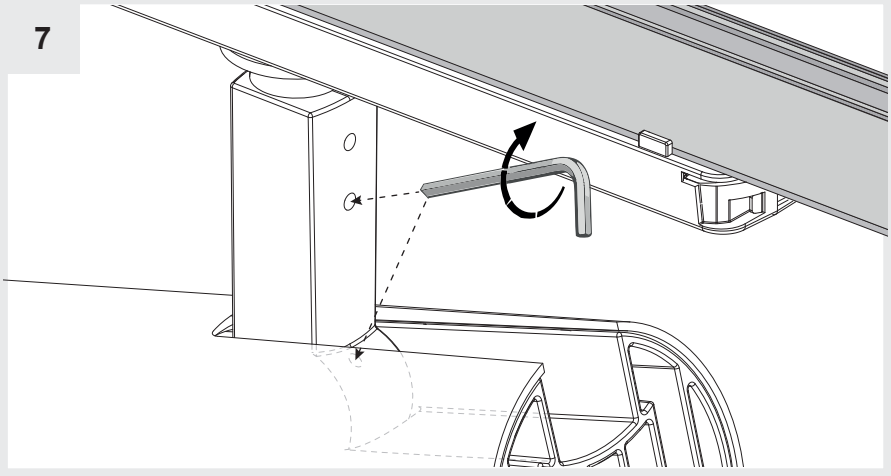
5



6



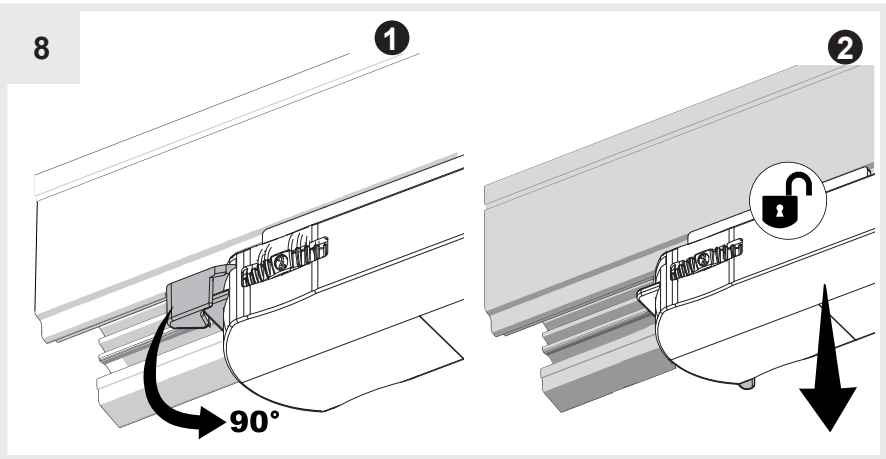
7



8

1

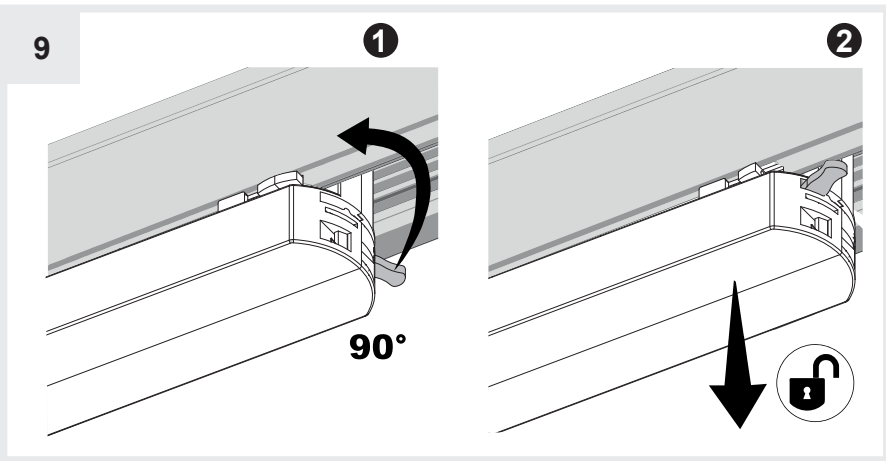
2



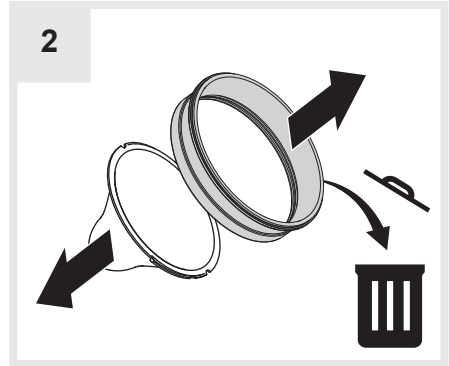
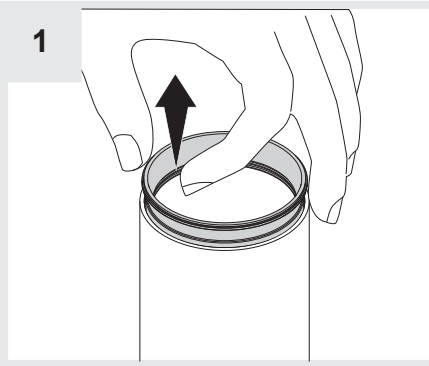
9


1

2


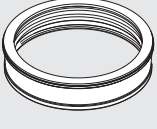


VECTOR 75 ACCESSORIES






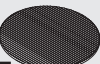
i 



AP9X100


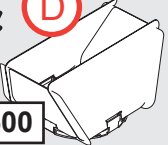



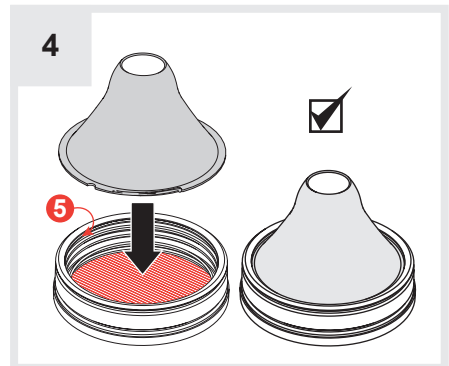
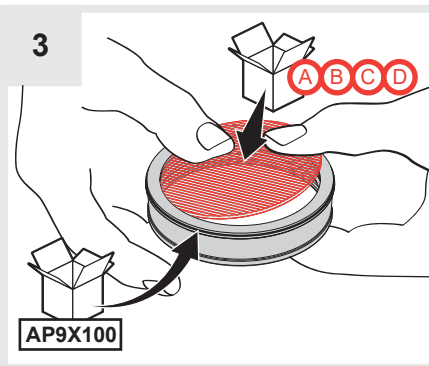
+

A 
AP9X300 

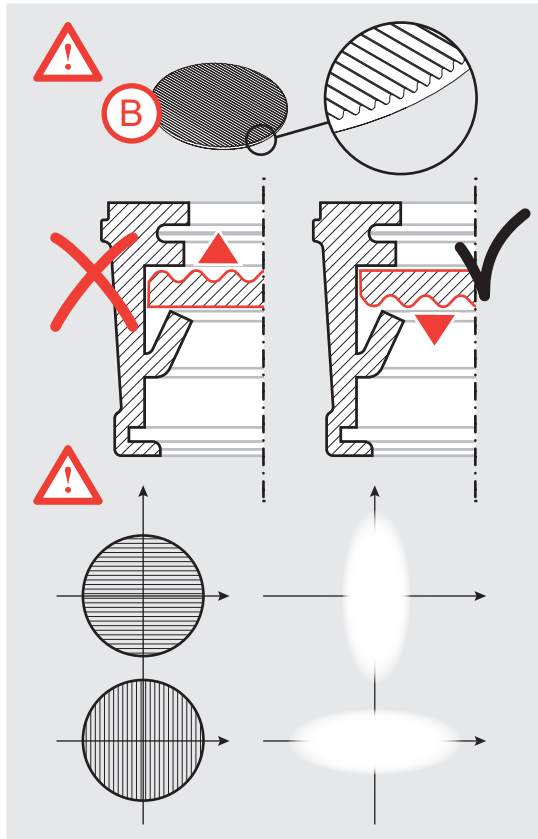
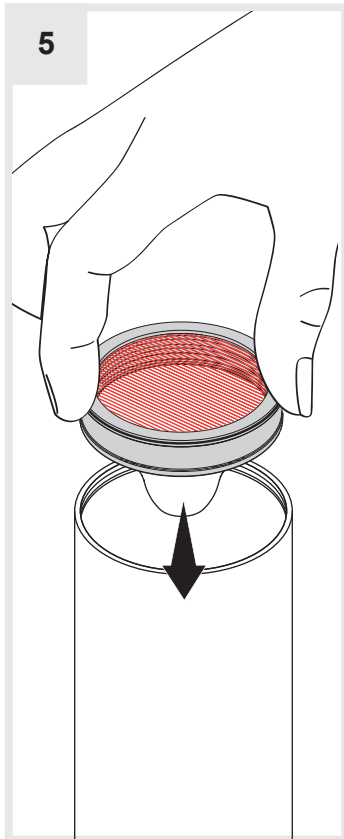
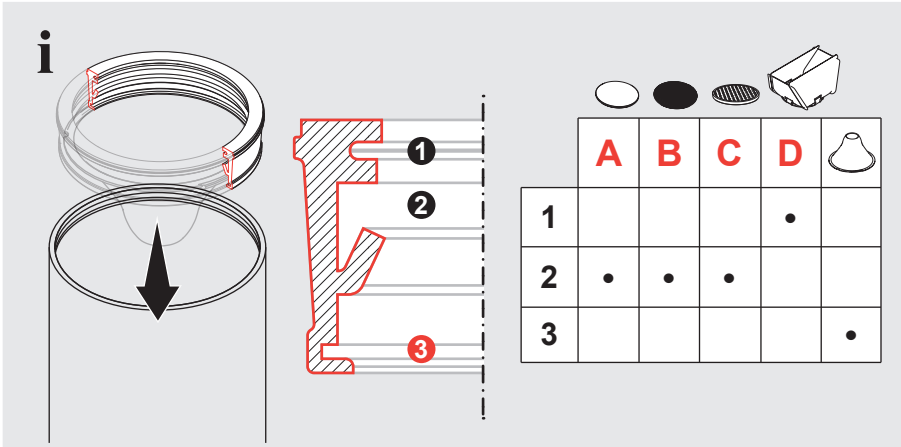
B 
AP9X200 

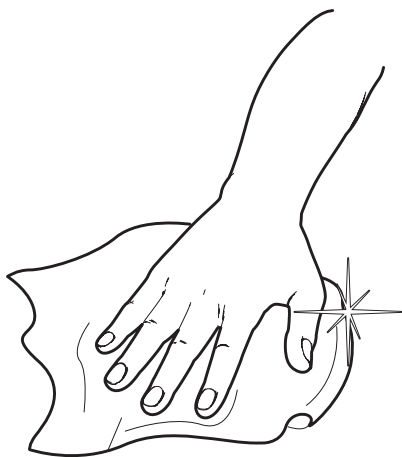
C 
AP9X400 

D 
AP9X500 



VECTOR 75 ACCESSORIES





Artemide®



Artemide

via Bergamo, 18
20006 Pregnana M.se (MI)
ITALIA

tel. +39 02 935 181
fax +39 02 935 90 254
fax +39 02 935 90 496

www.artemide.com

VAT IT00846890150

Artemide Inc.

250 Karin Lane
Hicksville, NY 11801

Tel. 631 694 9292
Toll Free 1-877-Art-9111
Fax 631 694 9275

www.artemide.net

Artemide Ltée/Ltd.

11105 rue Renaude Lapointe
Montréal, Québec H1J 2T4

Tel. 514 323 6537
Toll Free 888 777 2783
Fax 514 323 8864

www.artemide.net

cod. Y513001560E