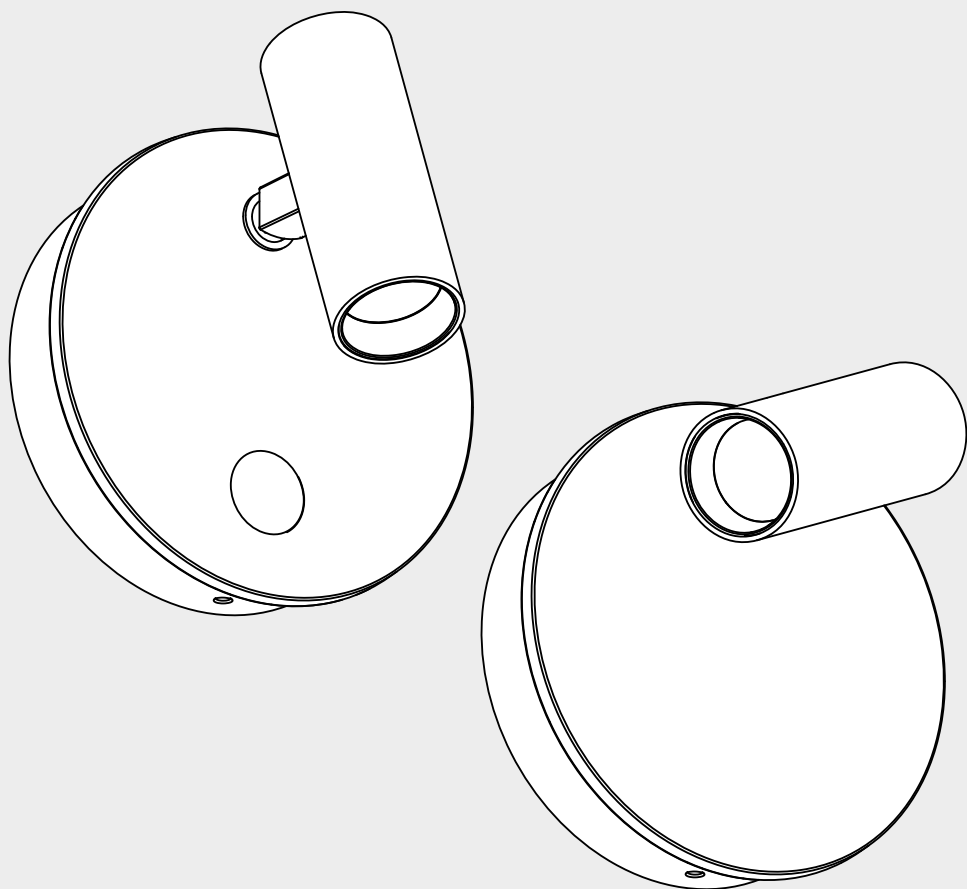


Artemide®

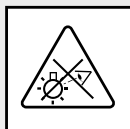
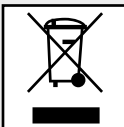
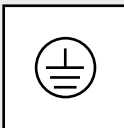
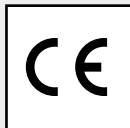
VECTOR WALL

design
Carlotta de Bevilacqua





i

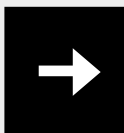
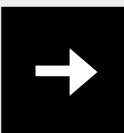


VECTOR 30

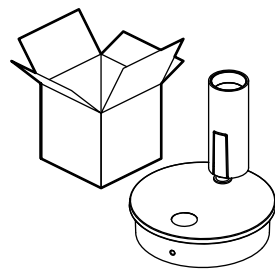
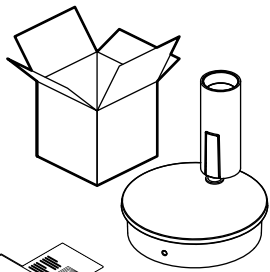
	LED1 from Dthr (m)			
	2700K	3000K	3500K	4000K
SP	LED1	LED1	1,66	1,66
FL	LED1	LED1	1,4	1,4
WF	LED1	LED1	1,4	1,4

VECTOR 40

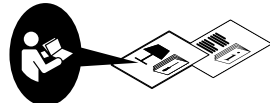
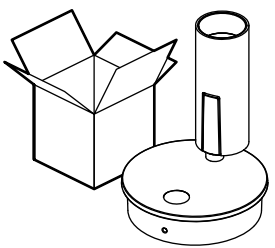
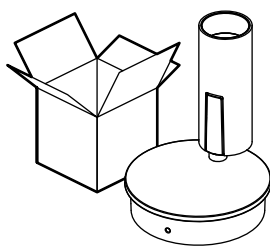
	LED1 from Dthr (m)			
	2700K	3000K	3500K	4000K
SP	1,6	1,6	2,15	2,15
FL	LED1	LED1	1,75	1,75
WF	LED1	LED1	1,75	1,75



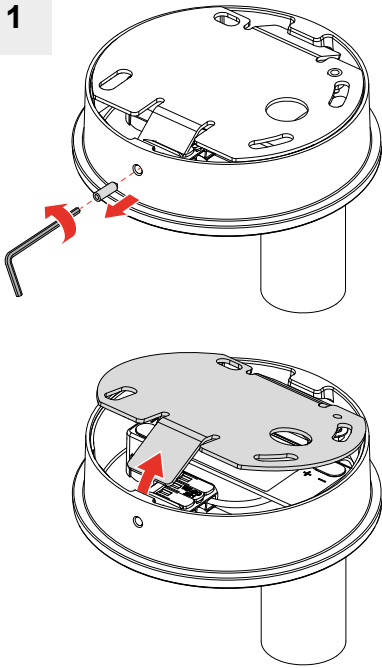
VECTOR 30 WALL



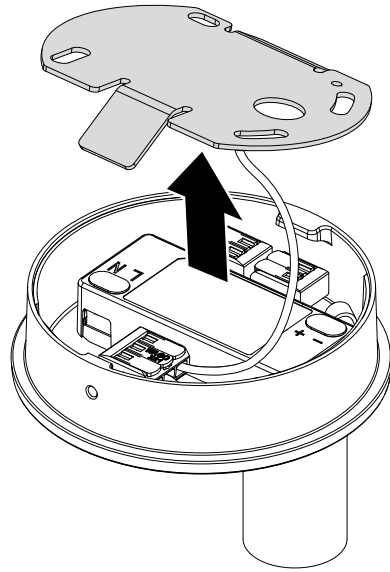
VECTOR 40 WALL



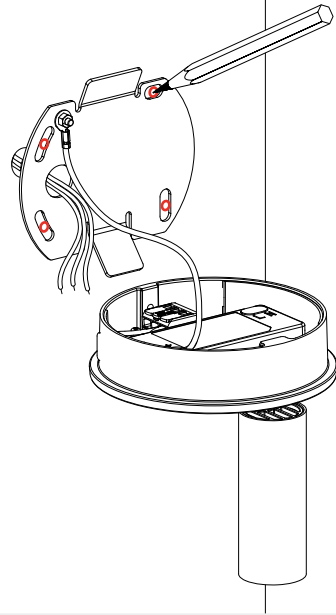
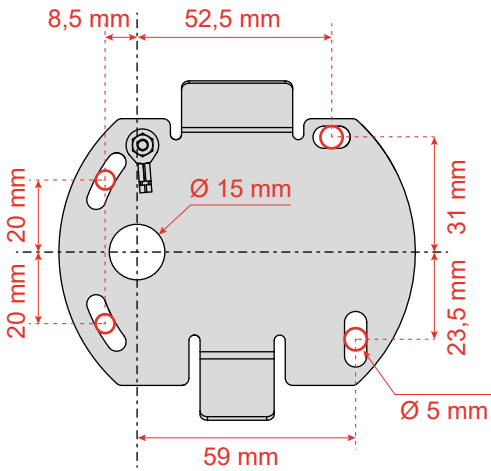
1



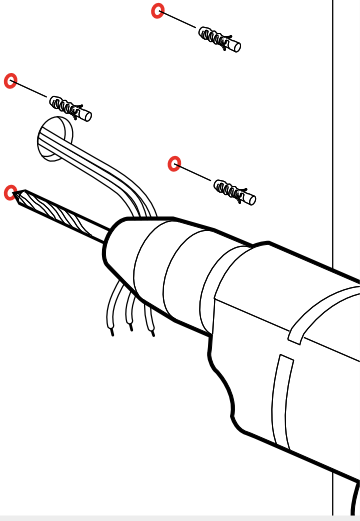
2



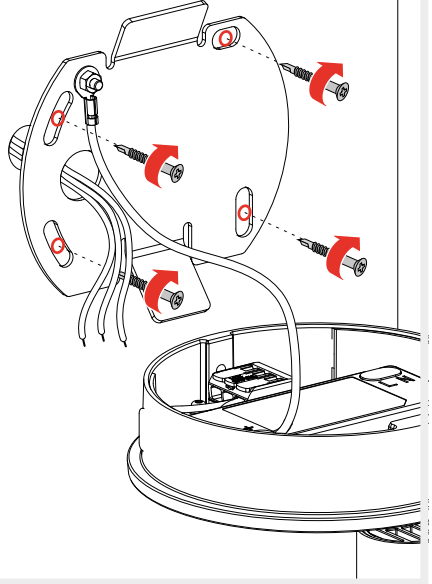
3



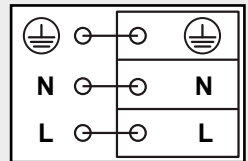
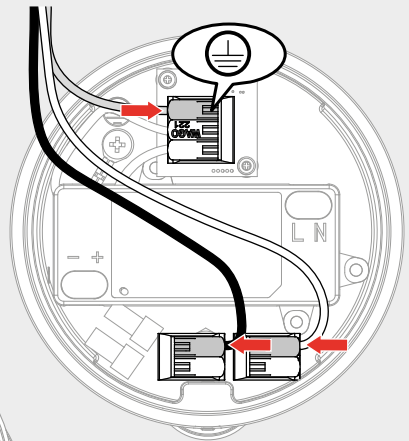
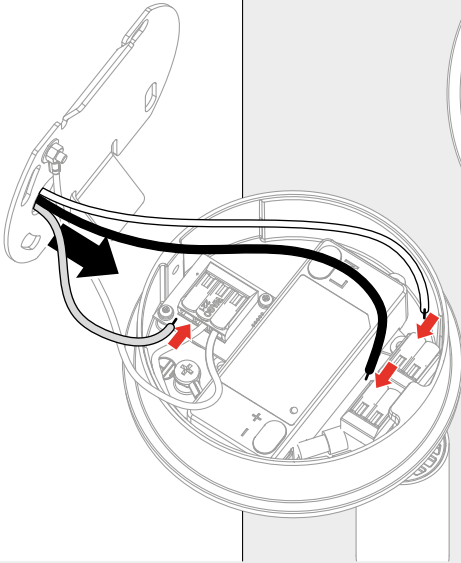
4



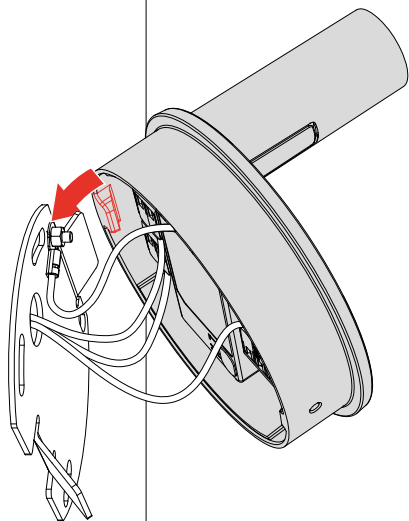
5



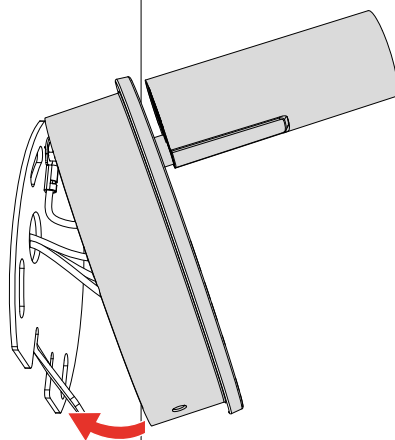
6



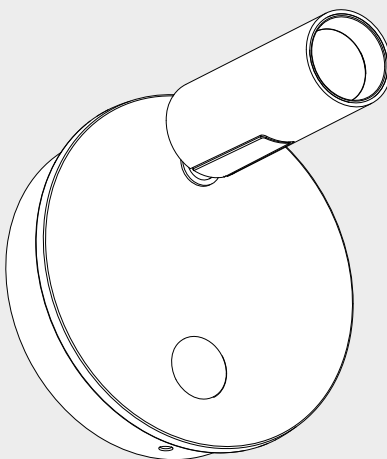
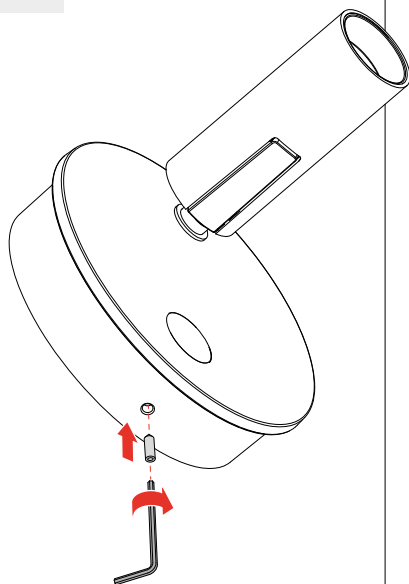
7



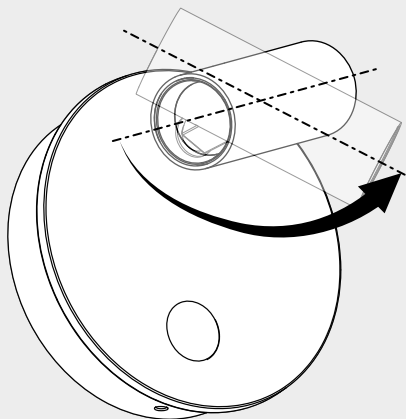
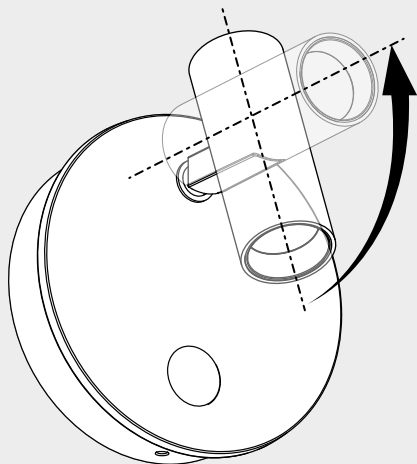
8



9

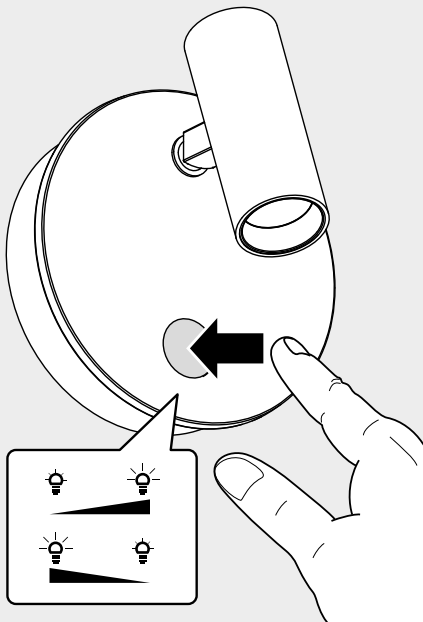
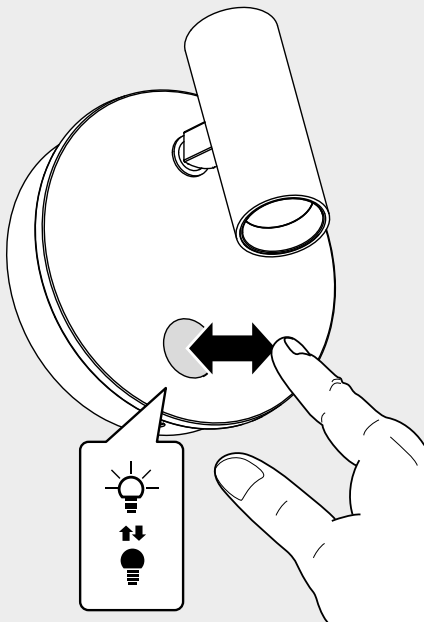


i



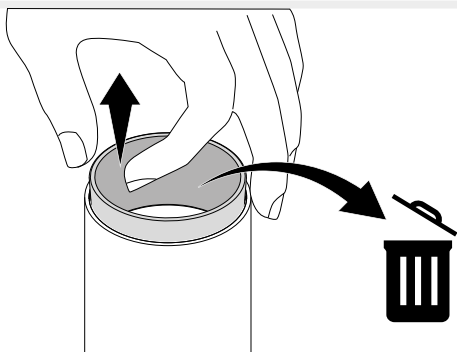
i

Only for BQ60XXX, BQ61XXX, BQ80XXX, BQ81XXX



VECTOR 40 ACCESSORIES

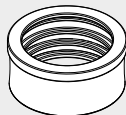
1



i



AP9X100



+



A

AP9X300



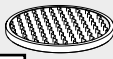
B

AP9X200



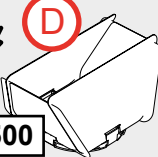
C

AP9X400

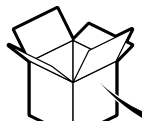


D

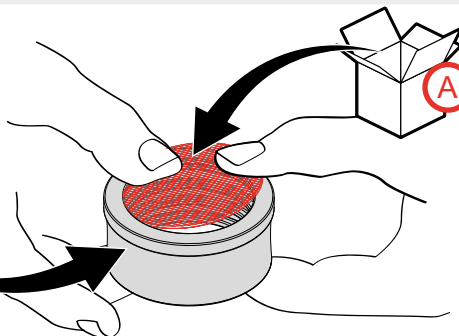
AP9X500



2



AP9X100



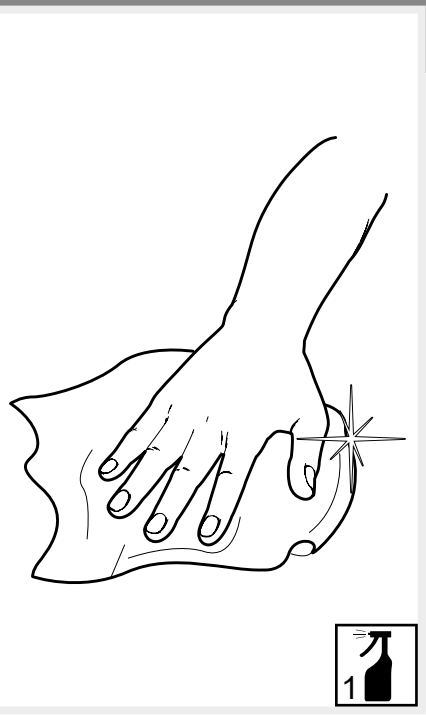
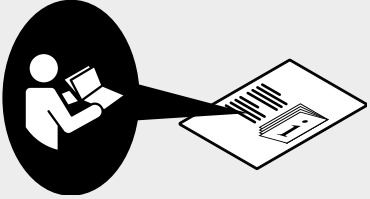
A B C D

VECTOR 40 ACCESSORIES

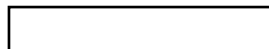
i

	A	B	C	D
1				•
2	•	•	•	
3	•	•		
4	•	•		

3



Artemide®



Artemide

via Bergamo, 18
20006 Pregnana M.se (MI)
ITALIA

tel. +39 02 935 181
fax +39 02 935 90 254
fax +39 02 935 90 496

www.artemide.com

VAT IT00846890150

cod. Y513001610A