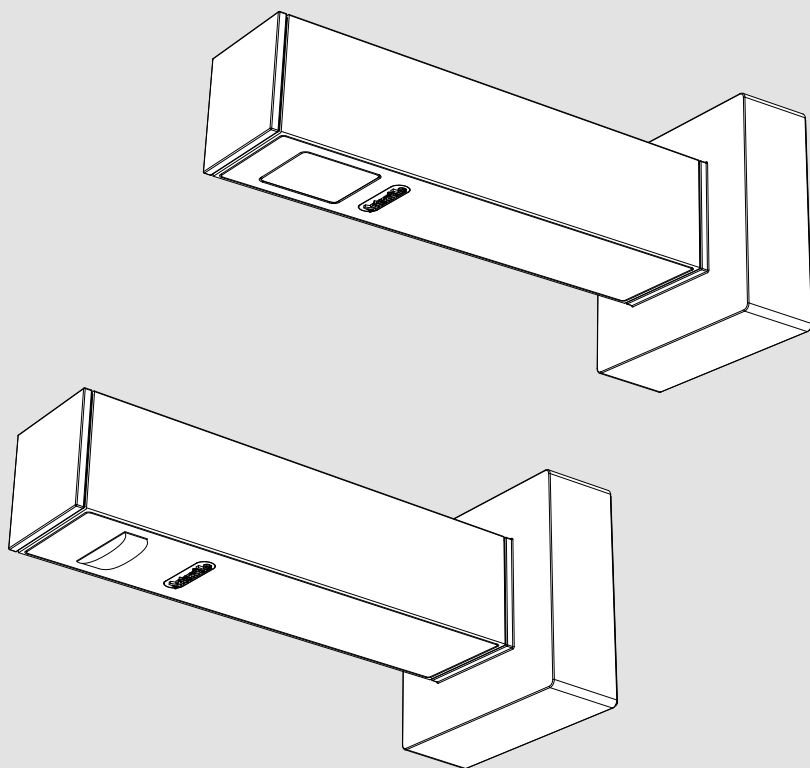
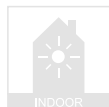


# Artemide®

## Walking wall

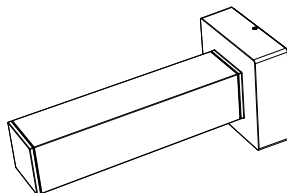
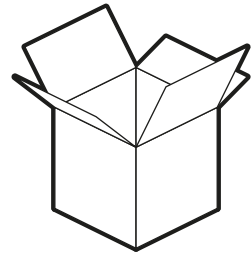
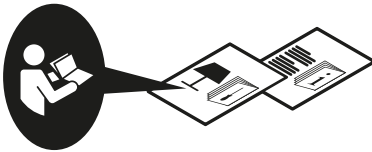
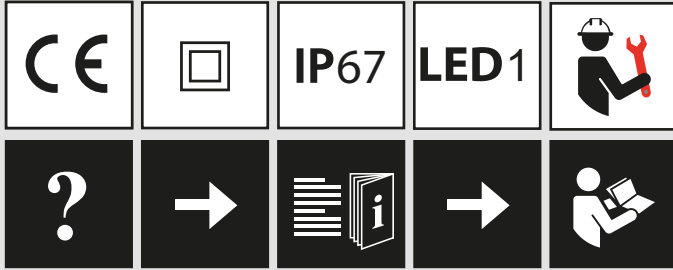
design

Carlotta de Bevilacqua

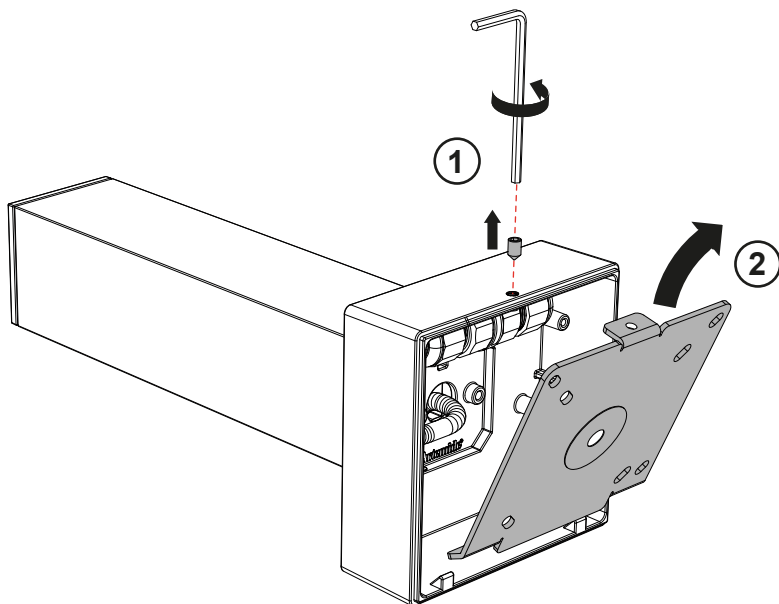




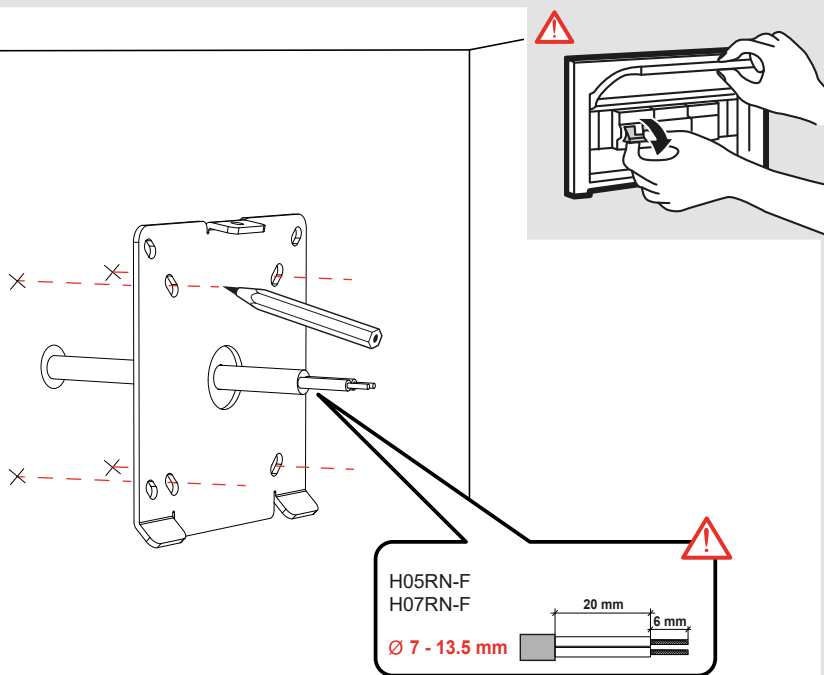
i



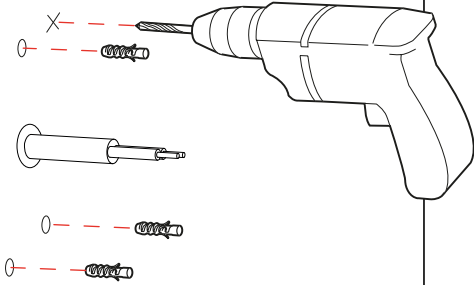
1



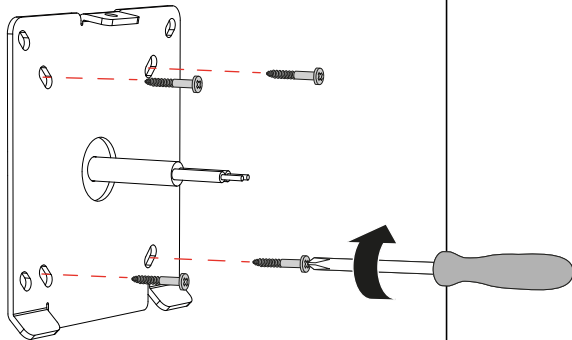
2



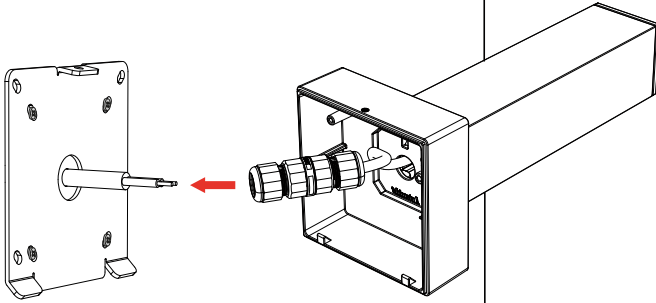
3



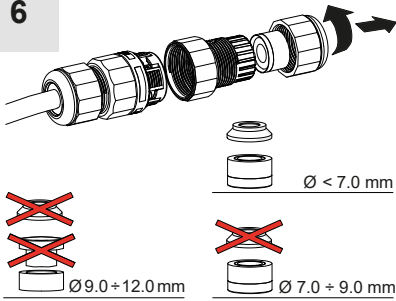
4



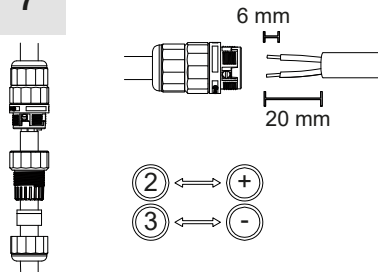
5



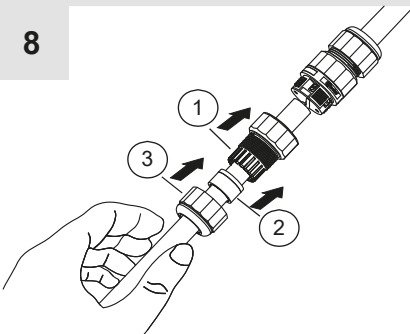
6



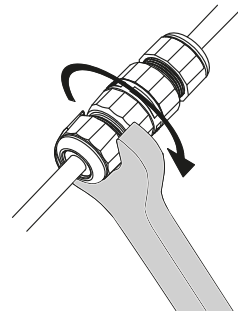
7



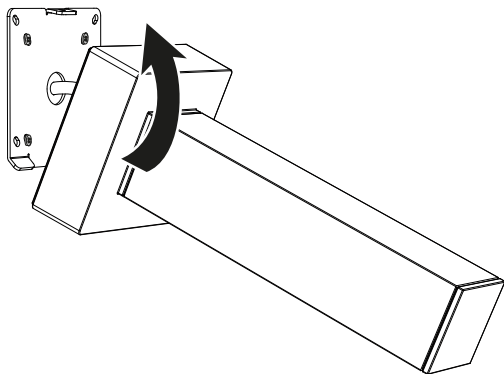
8



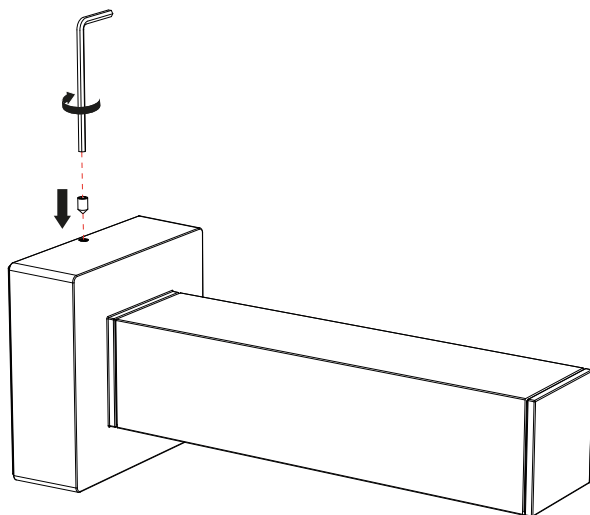
9



10



11





**Artemide®**



**Artemide**

via Bergamo, 18  
20010 Pregnana M.se (MI)  
ITALIA

tel. +39 02 935 181  
fax +39 02 935 90 254  
fax +39 02 935 90 496

[www.artemide.com](http://www.artemide.com)

VAT IT00846890150

cod. Y513001165A