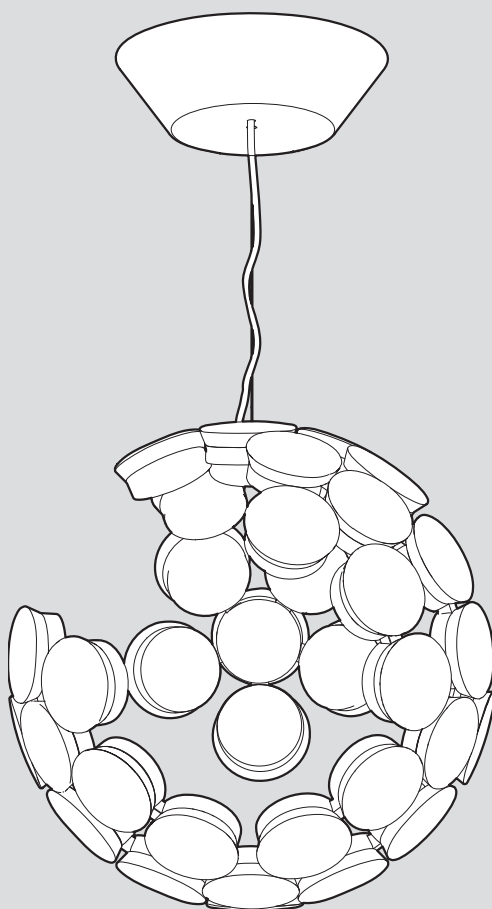


Artemide®

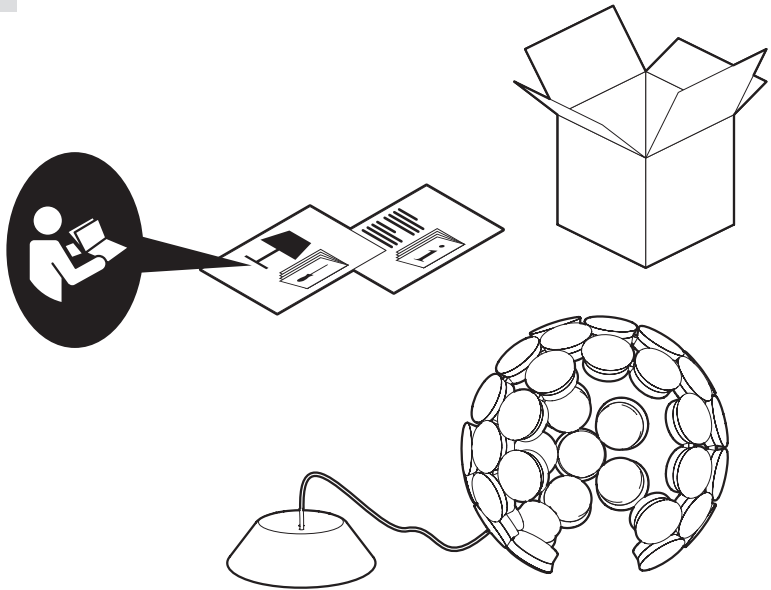
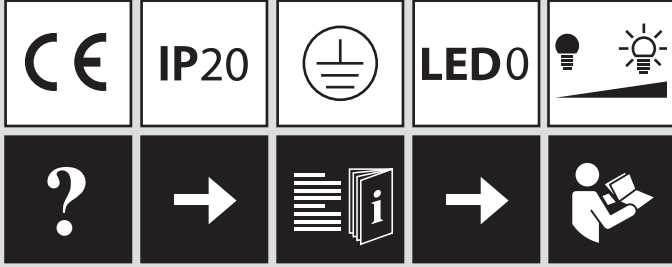
Scopas

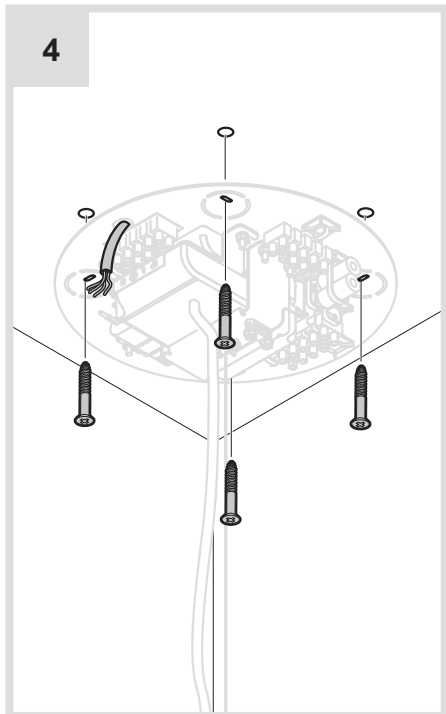
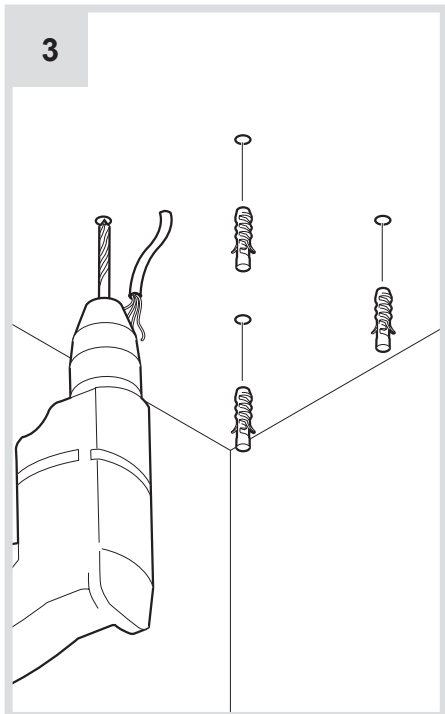
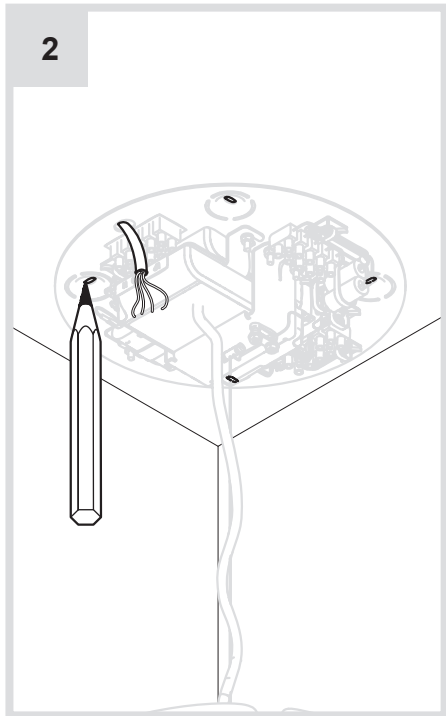
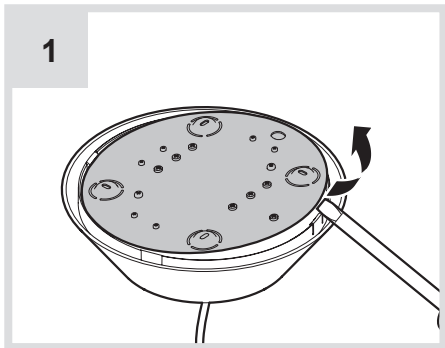
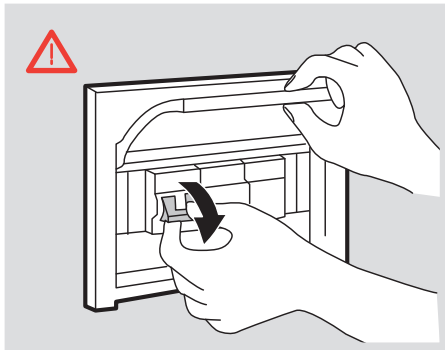
design by
N. Poulton

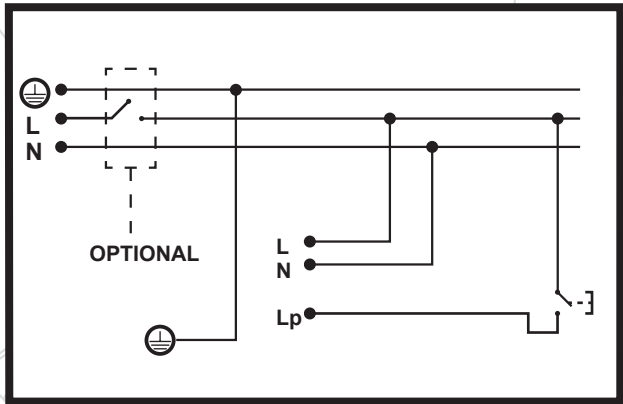
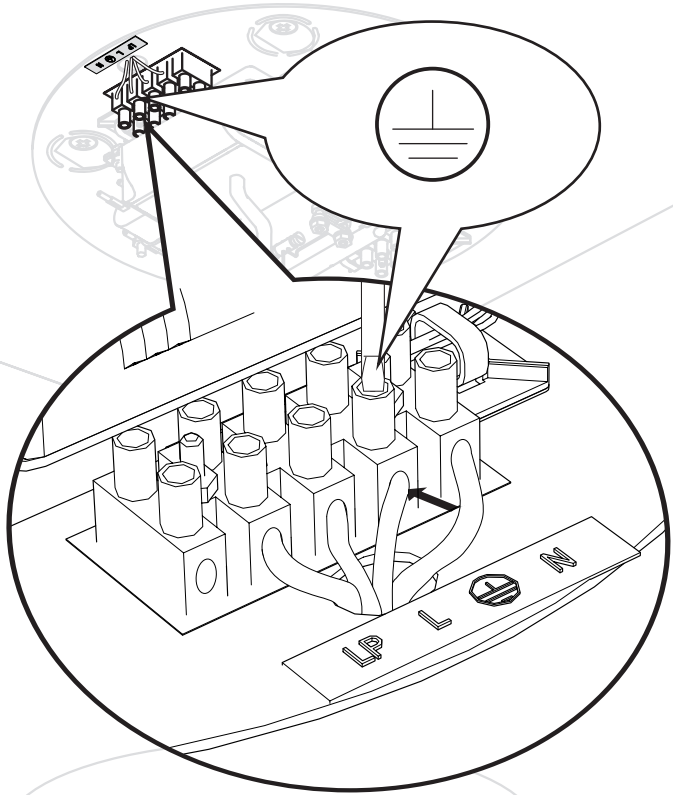




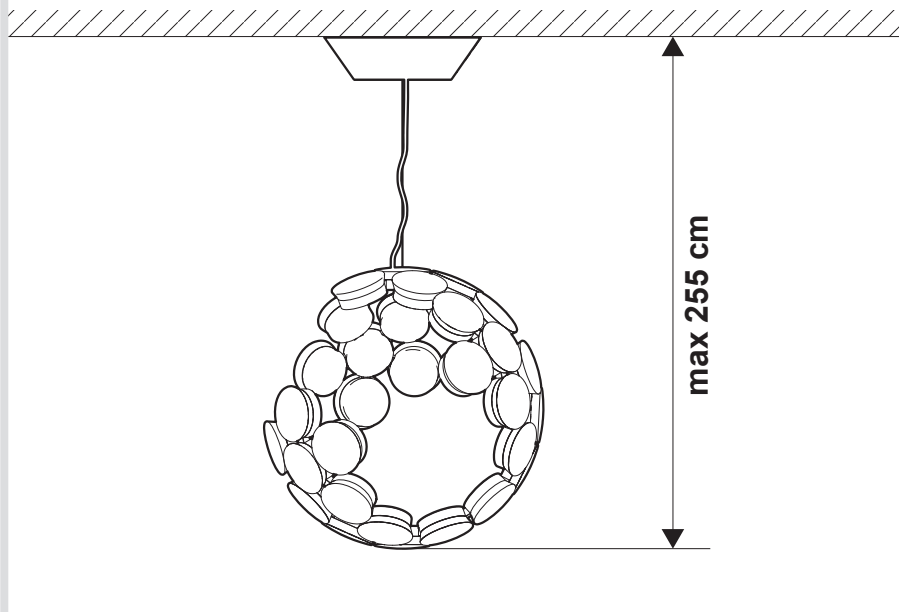
i



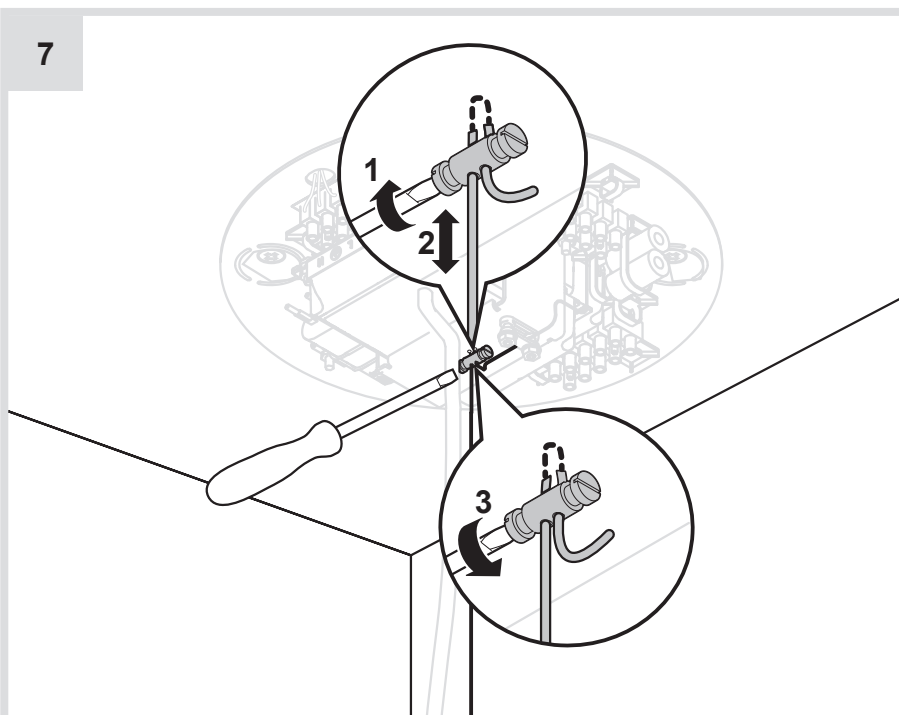




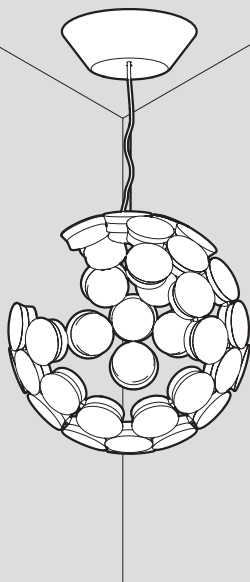
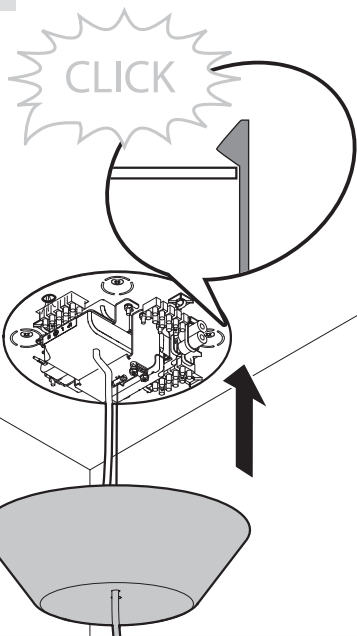
6



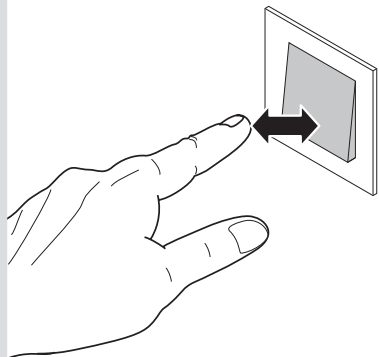
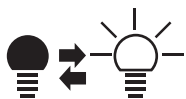
7



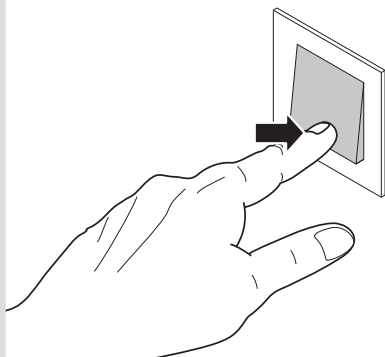
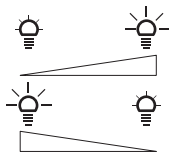
8



1



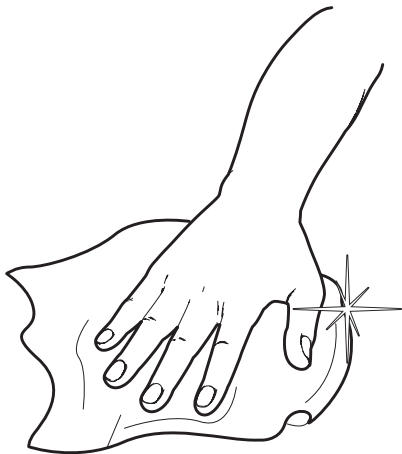
2



i



1



Artemide®



Artemide

via Bergamo, 18
20010 Pregnana M.se (MI)
ITALIA

tel. +39 02 935 181
fax +39 02 935 90 254
fax +39 02 935 90 496

www.artemide.com

VAT IT00846890150

cod. Y513000149