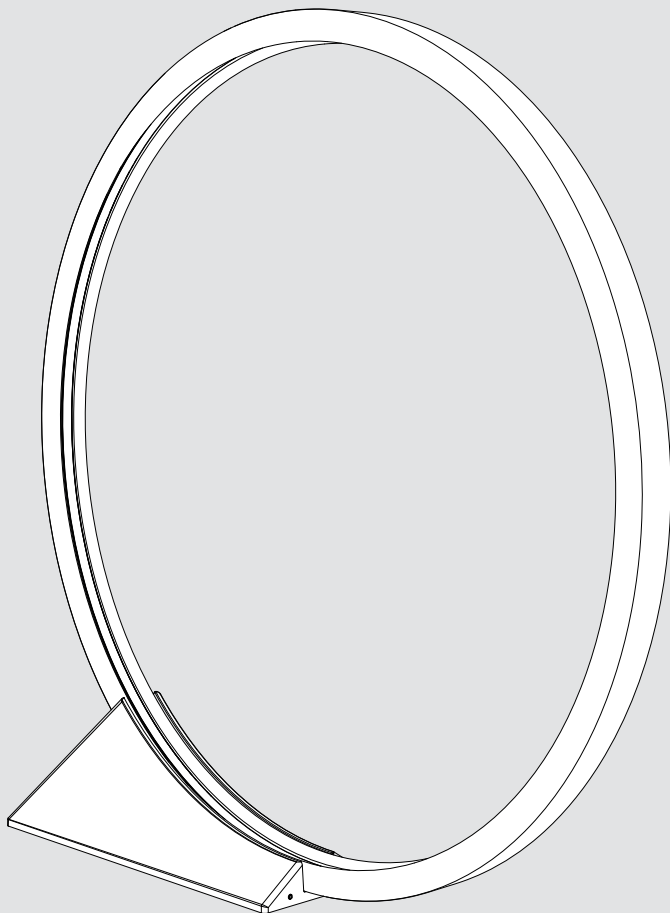


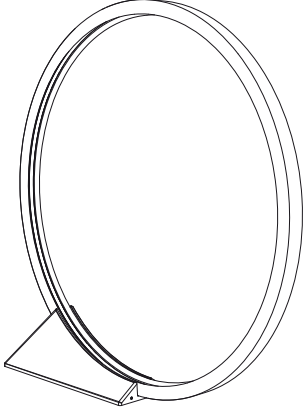
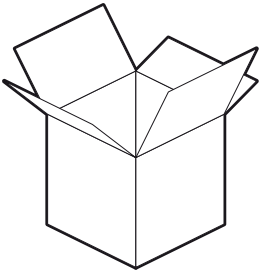
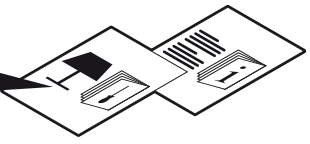
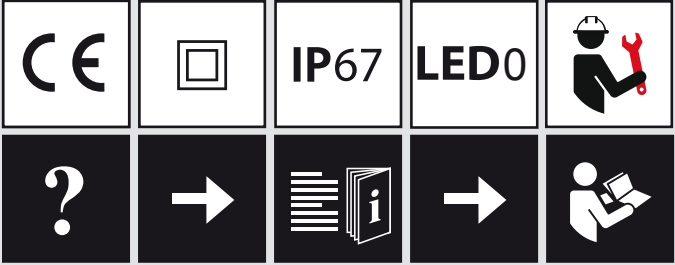
## “O” Floor

design  
**Elemental**

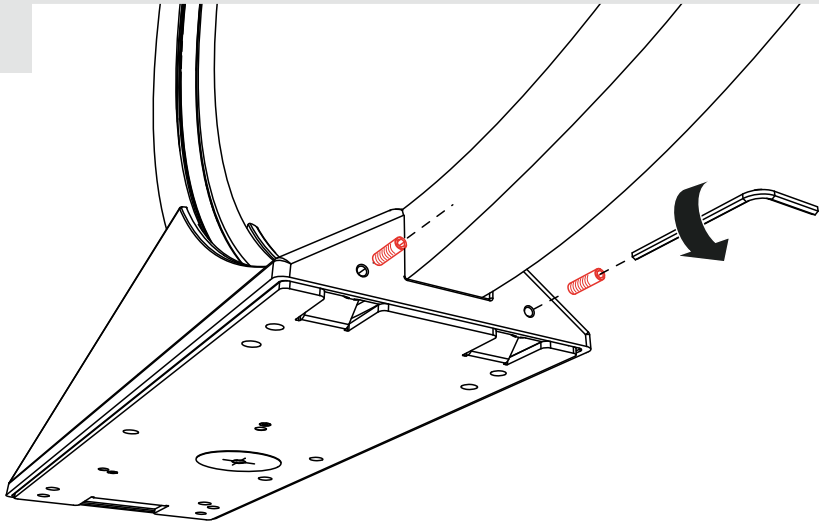




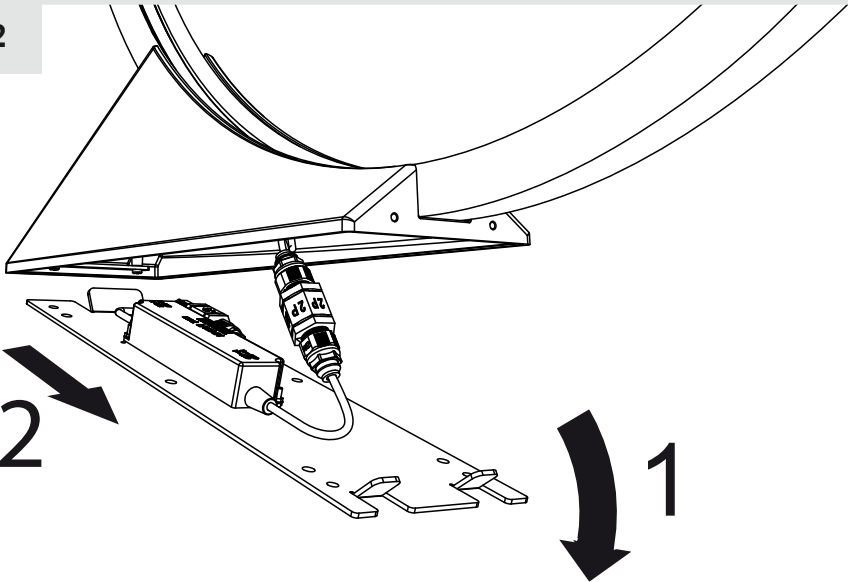
i

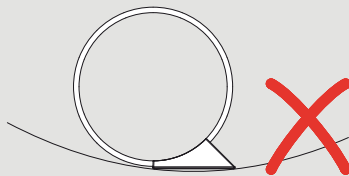
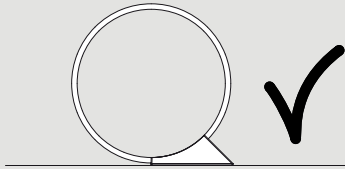
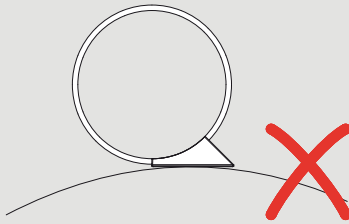
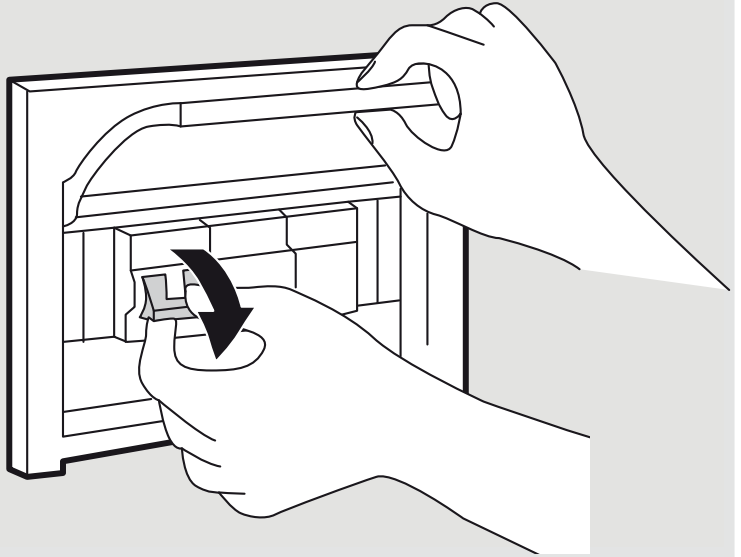


1

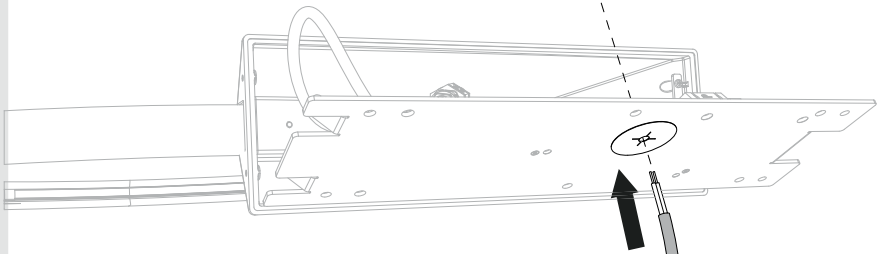


2

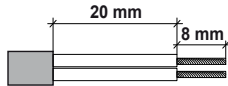




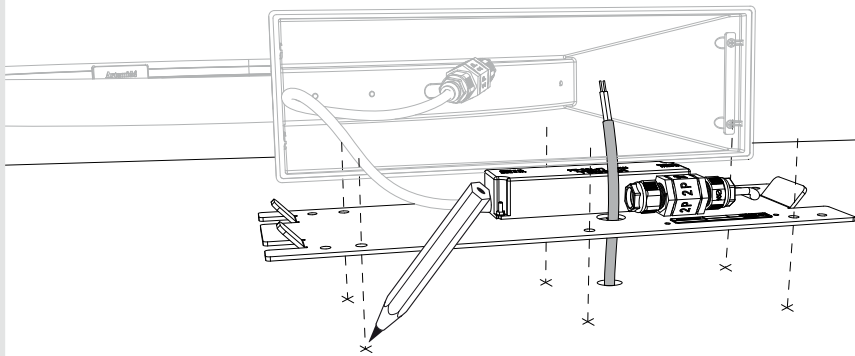
3



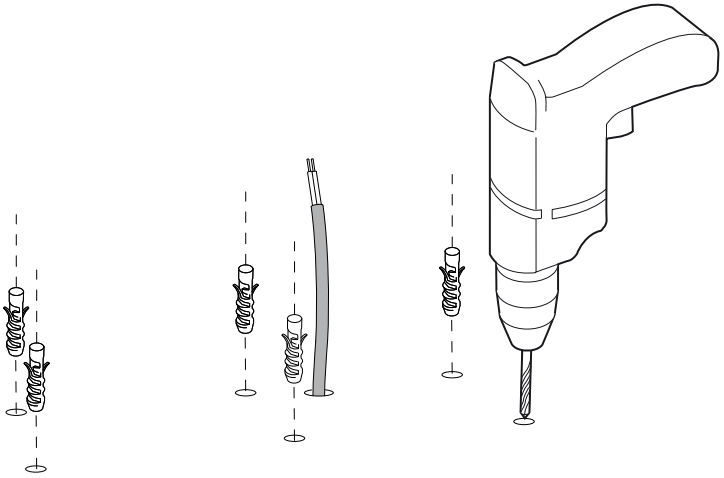
H05RN-F  
H07RN-F  
**Ø 7 - 13.5 mm**



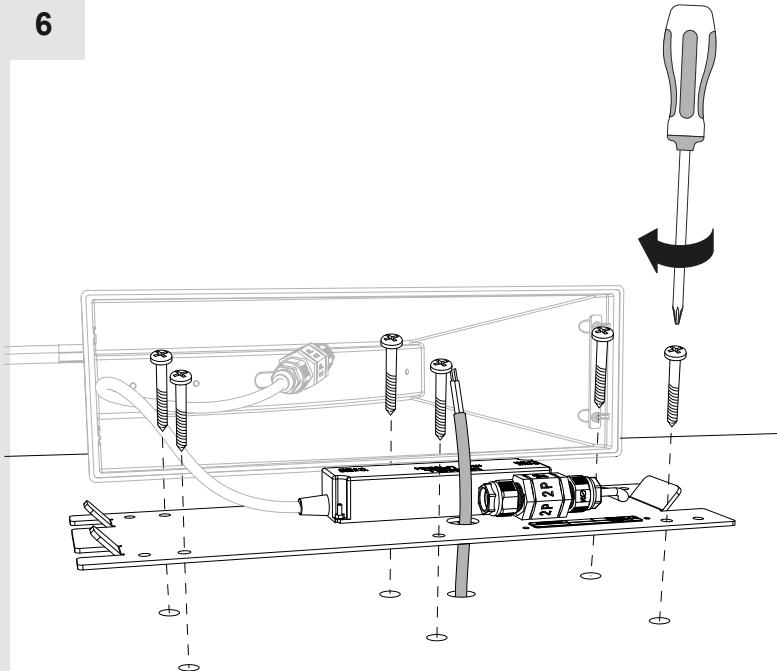
4



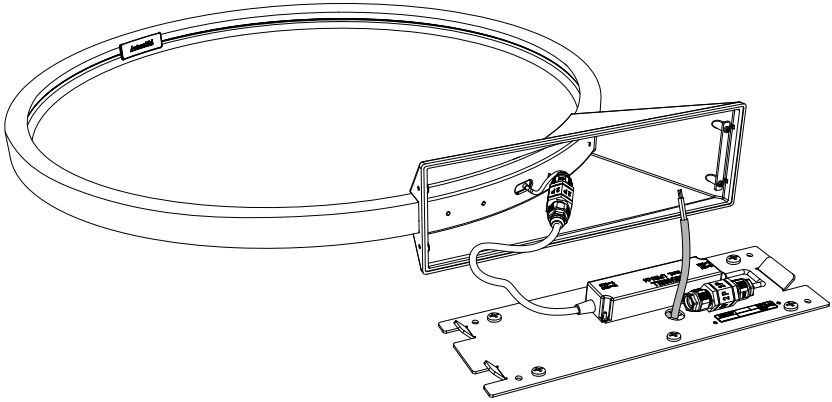
5



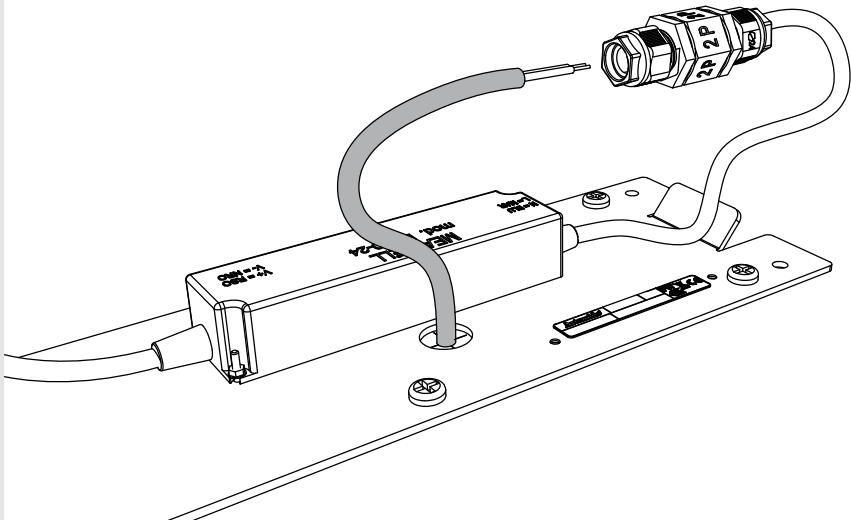
6



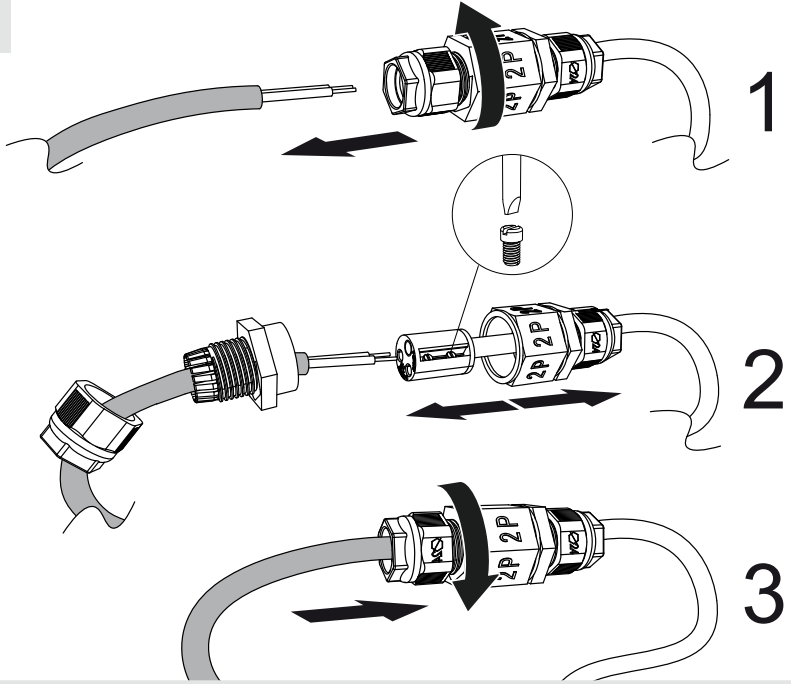
7



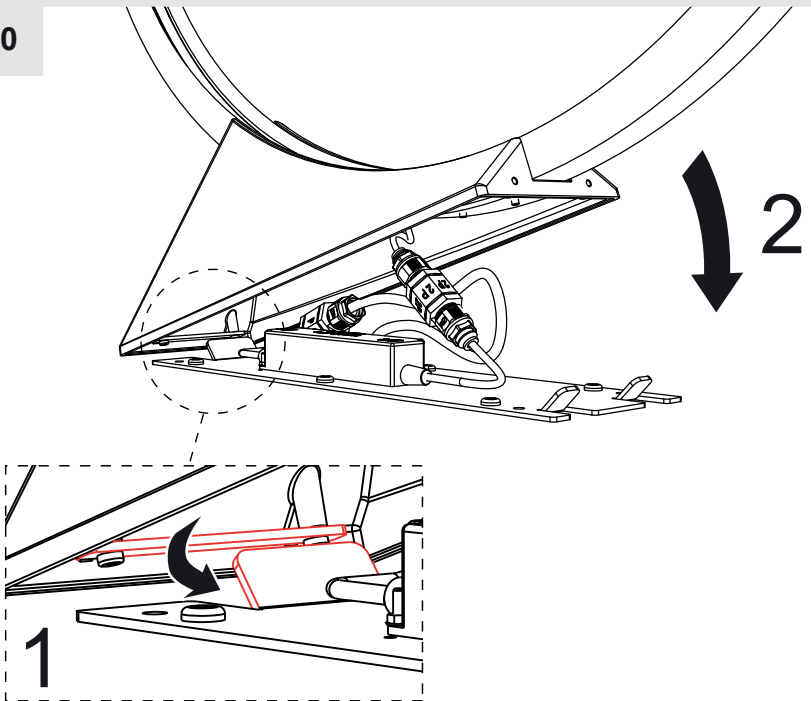
8



9

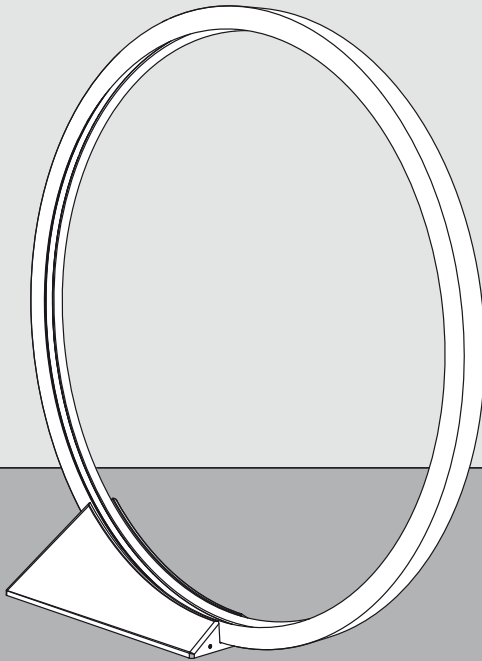
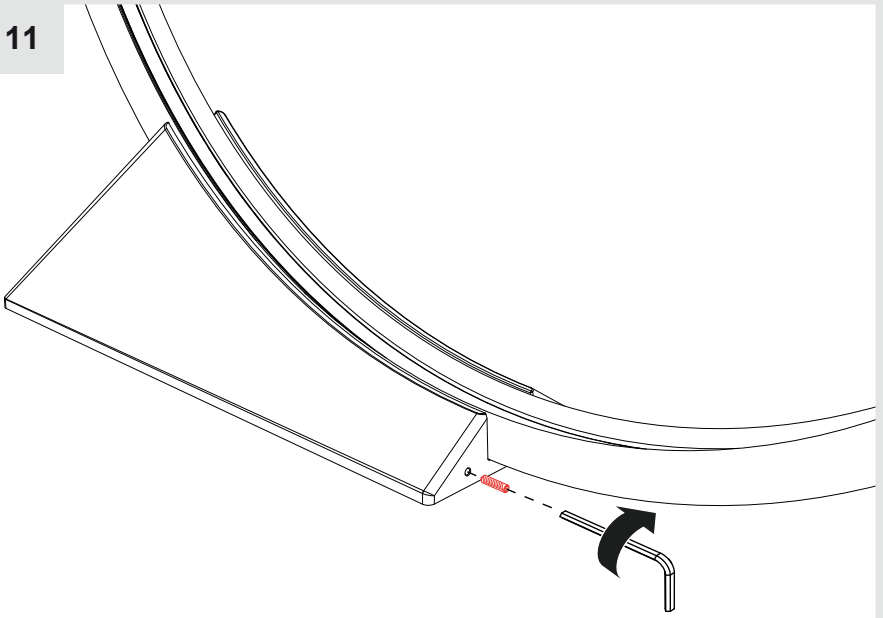


10





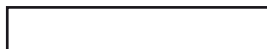
11







**Artemide**<sup>®</sup>  
ARCHITECTURAL



## **Artemide**

via Bergamo, 18  
20010 Pregnana M.se (MI)  
ITALIA

tel. +39 02 935 181  
fax +39 02 935 90 254  
fax +39 02 935 90 496

[www.artemide.com](http://www.artemide.com)

VAT IT00846890150

cod. Y513001008A