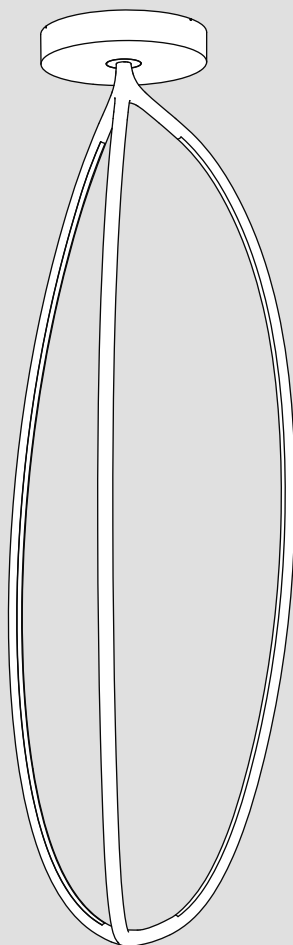
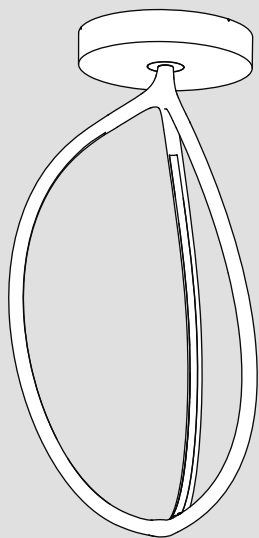


# Artemide®

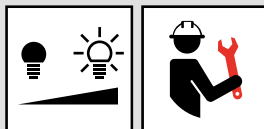
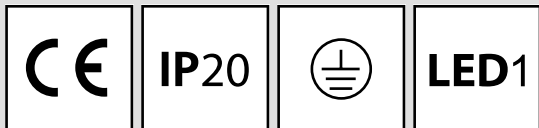
## ARRIVAL 70 / 130

design  
Ludovica + Roberto Palomba

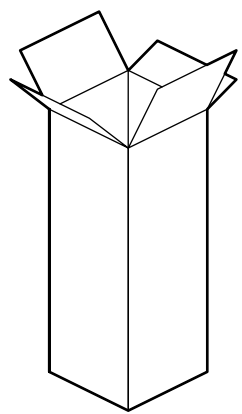
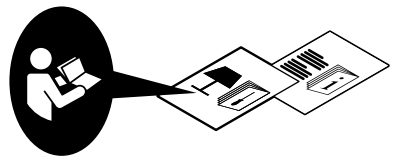
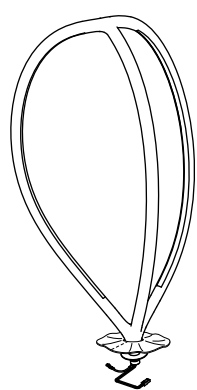


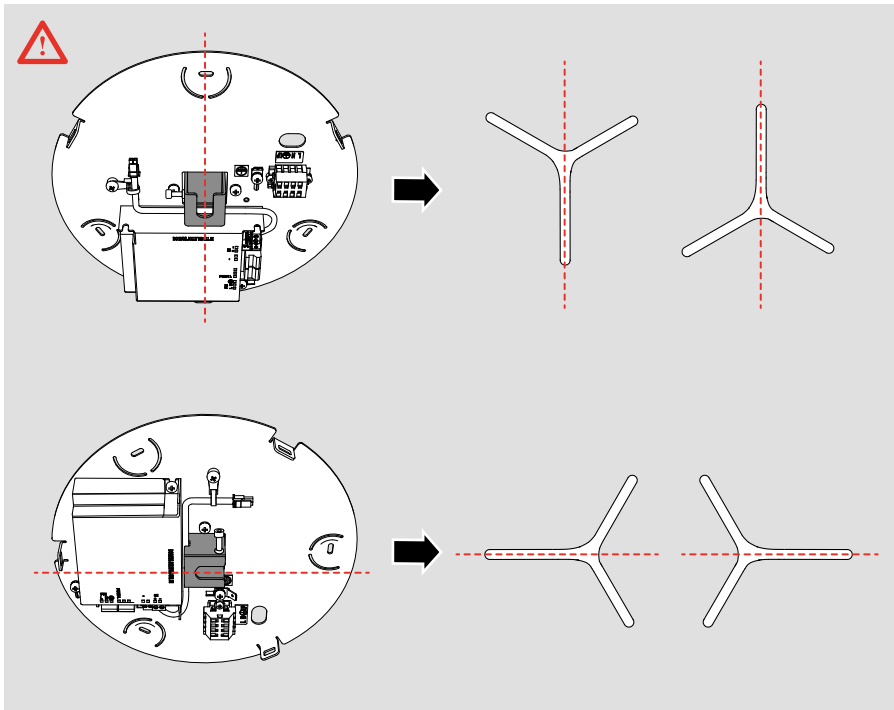
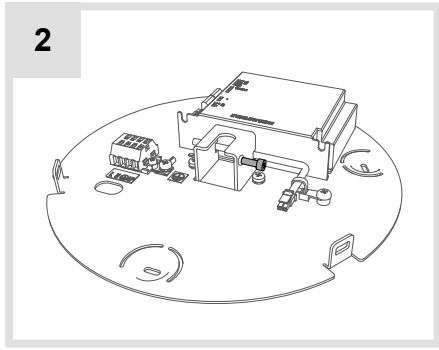
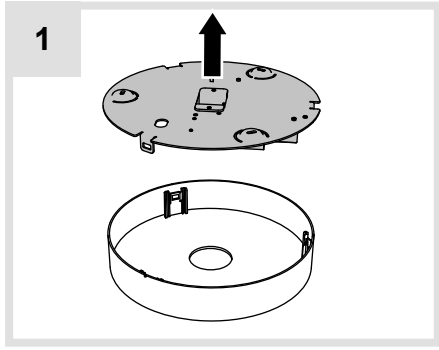
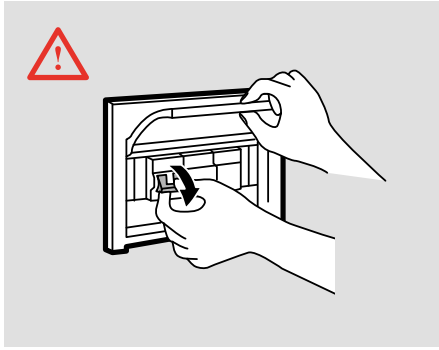


i

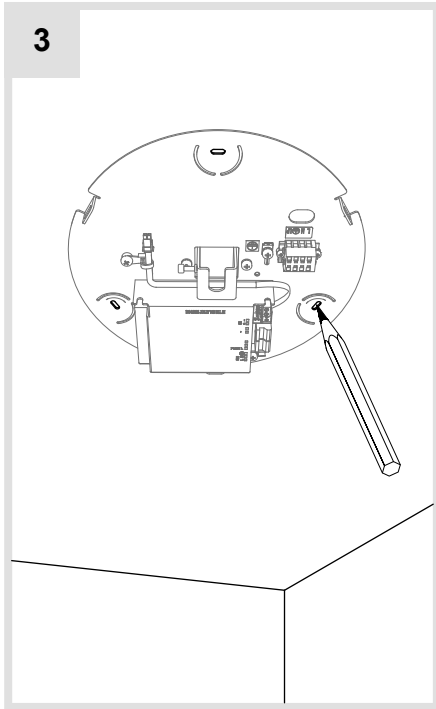


Artemide App  
Quick Starting Guide

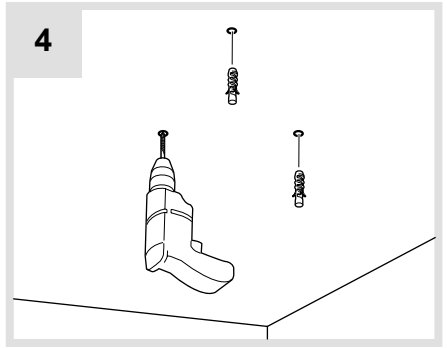




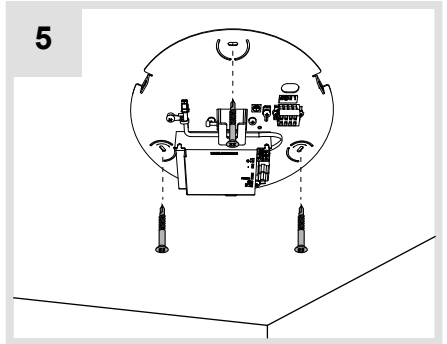
3



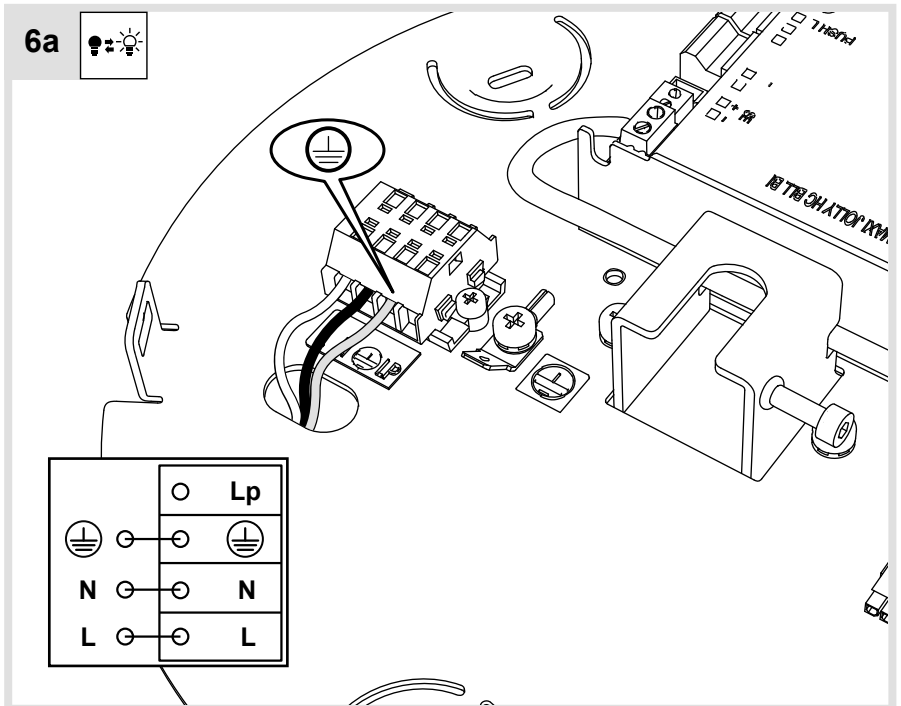
4



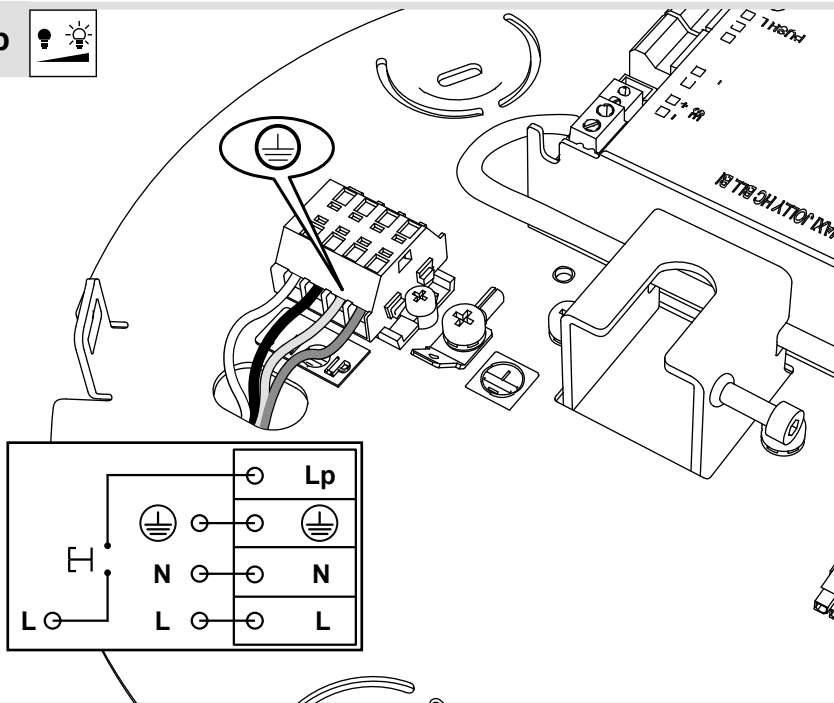
5



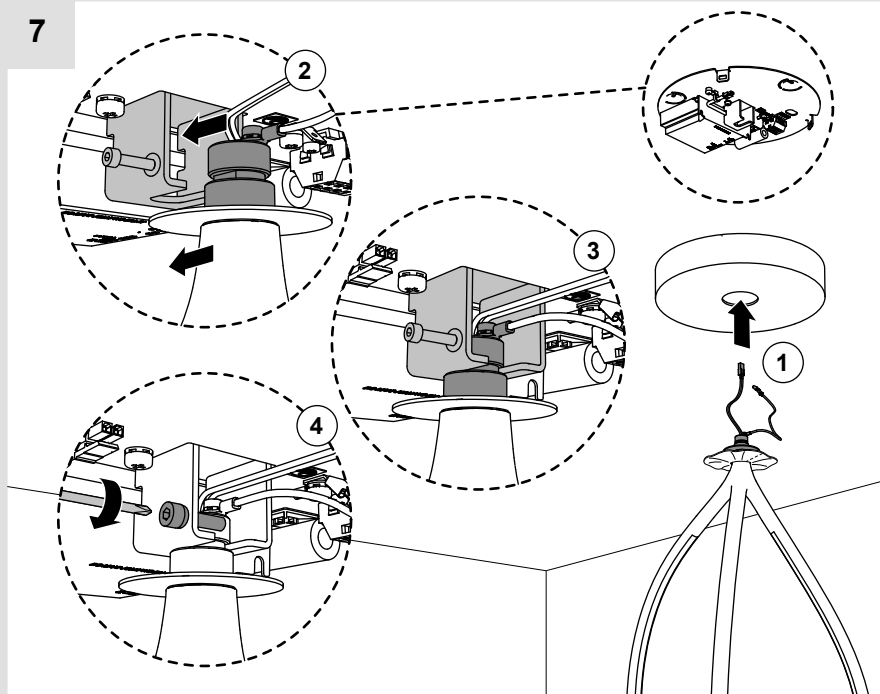
6a

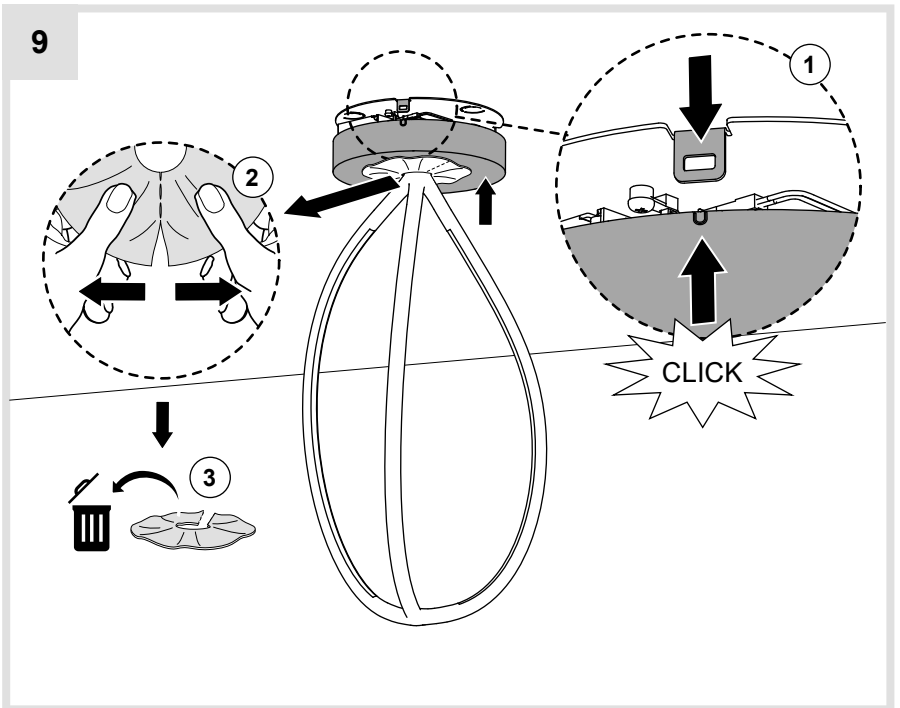
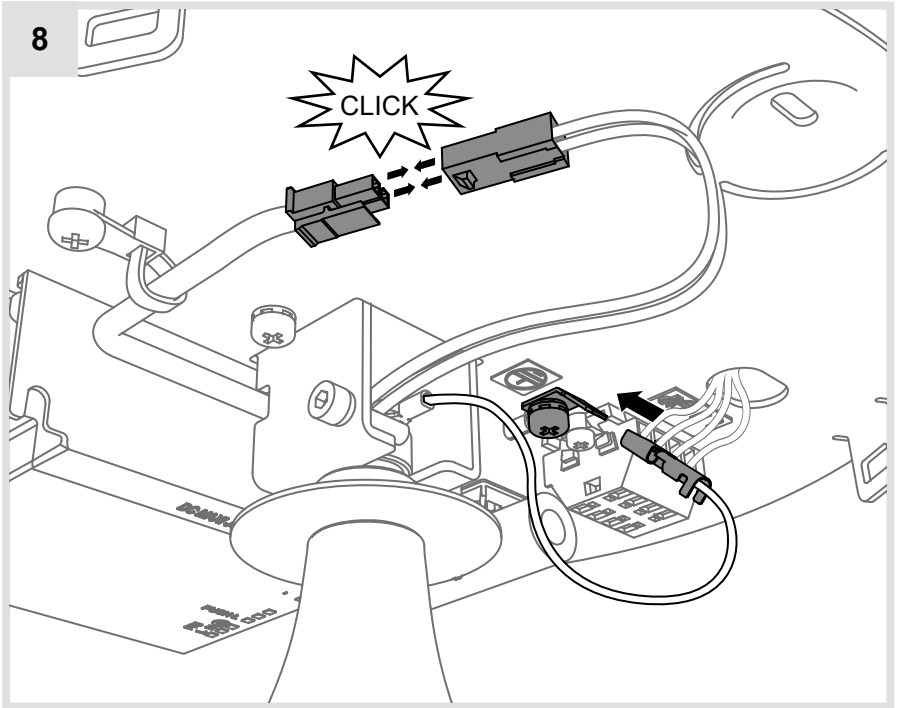


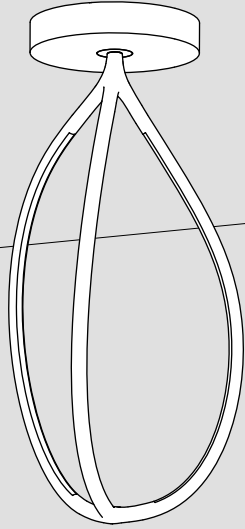
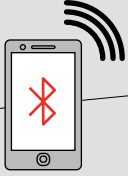
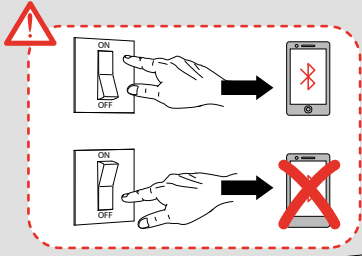
6b



7



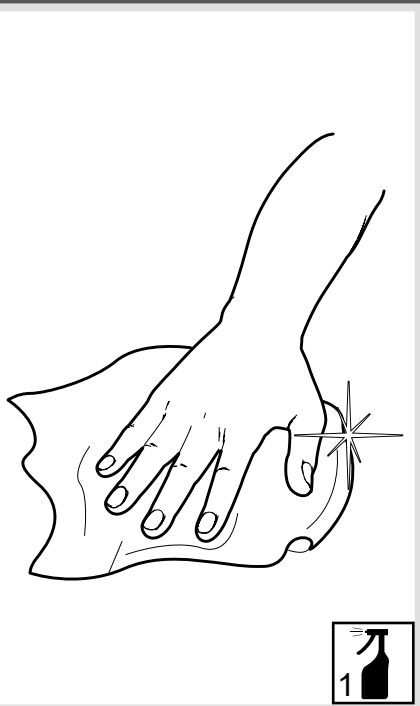
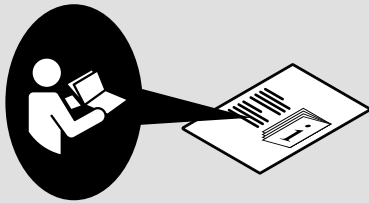




GET IT ON  
Google Play

Download on the  
App Store

Artemide App  
Quick Starting Guide



**Artemide®**



**Artemide**

via Bergamo, 18  
20010 Pregnana M.se (MI)  
ITALIA

tel. +39 02 935 181  
fax +39 02 935 90 254  
fax +39 02 935 90 496

[www.artemide.com](http://www.artemide.com)

VAT IT00846890150

cod. Y513001352A