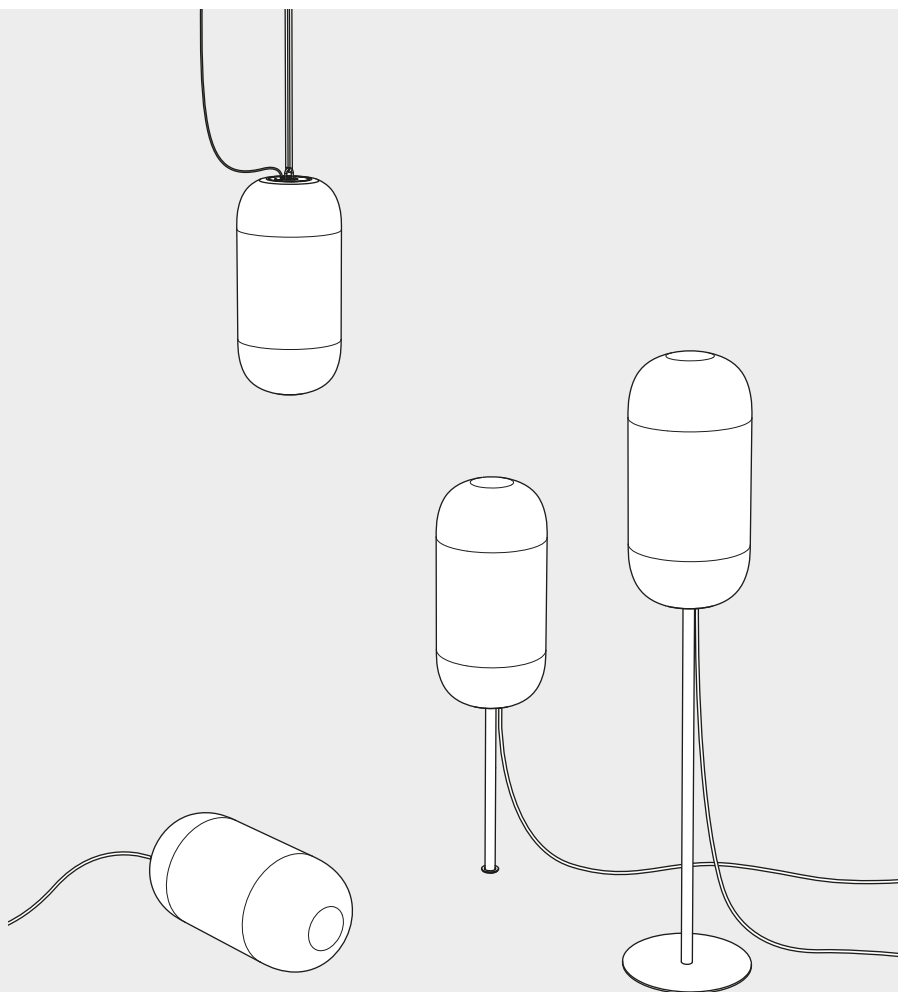


Artemide®

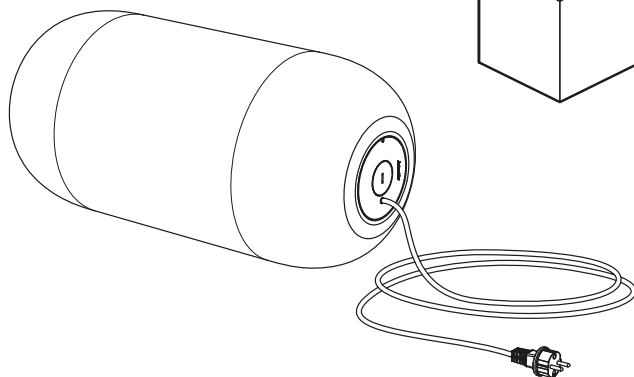
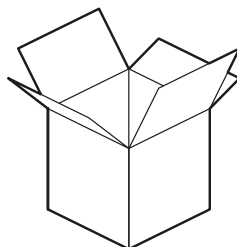
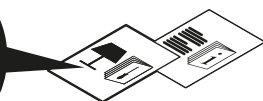
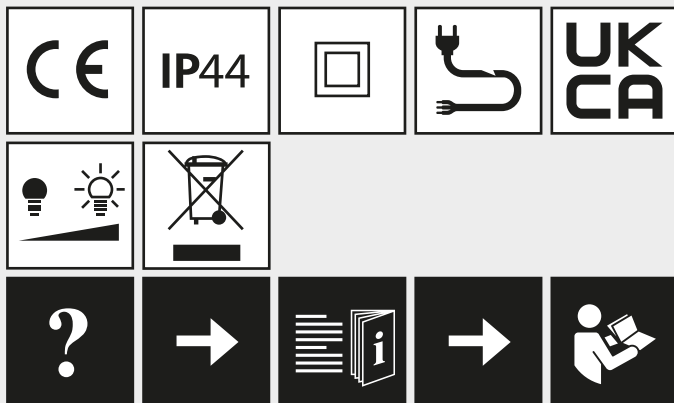
GOPLE OUTDOOR

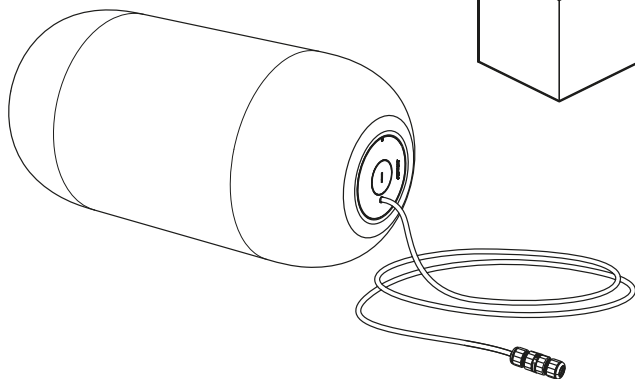
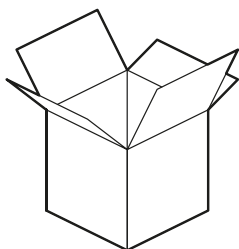
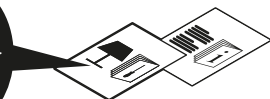
design
BIG





i





A

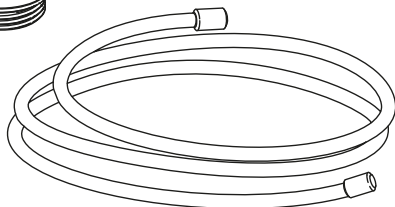
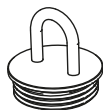
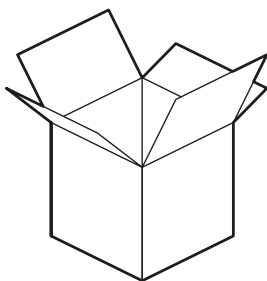
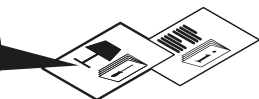
B

C

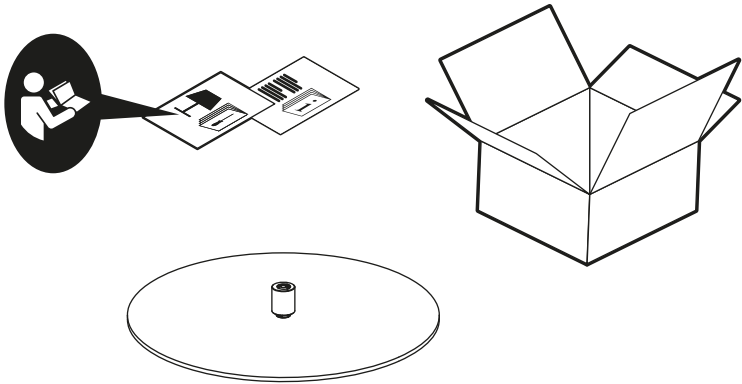
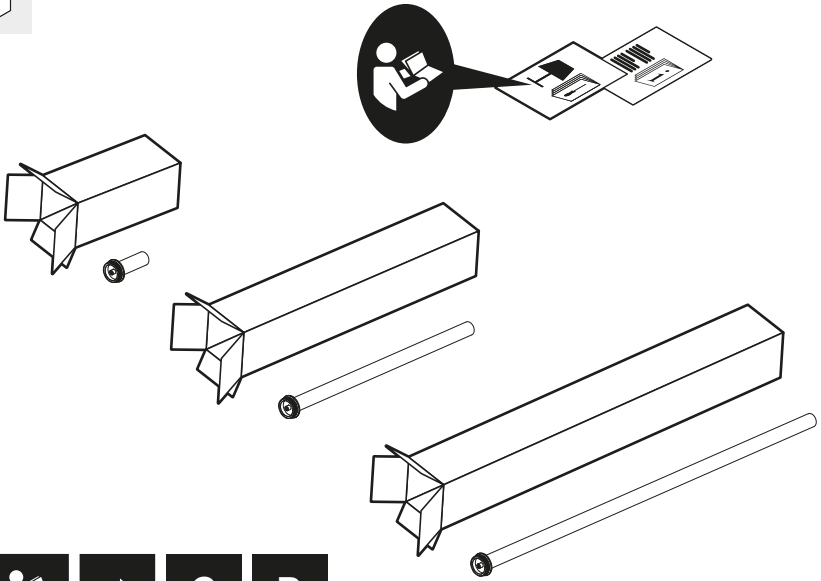
D

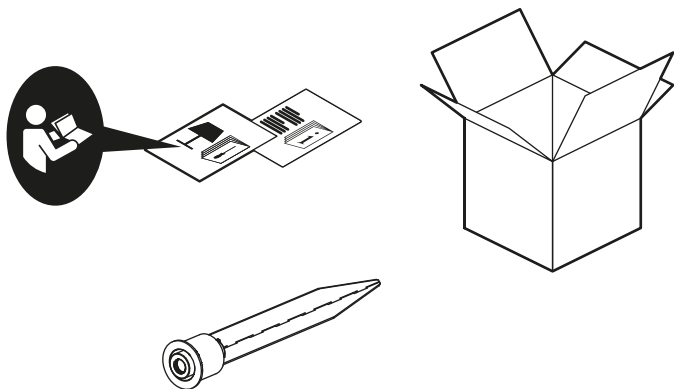
+

F

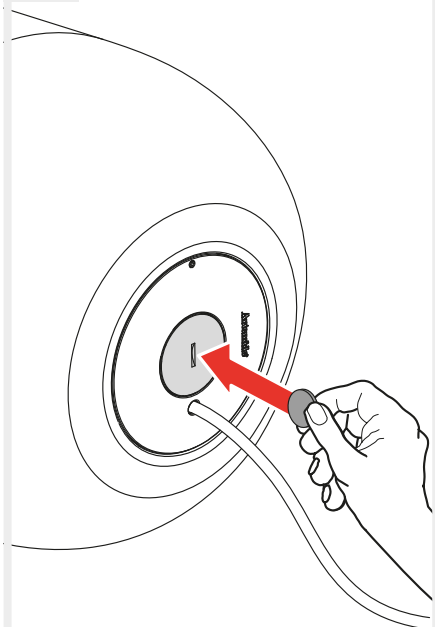


B

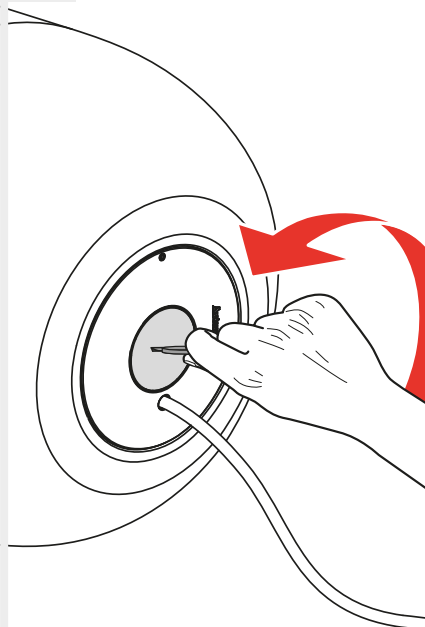




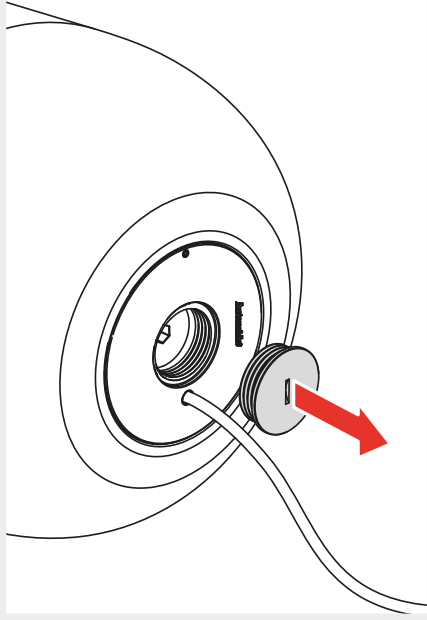
1



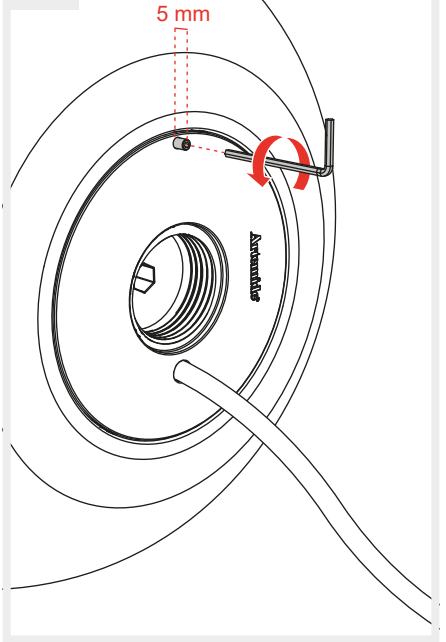
2



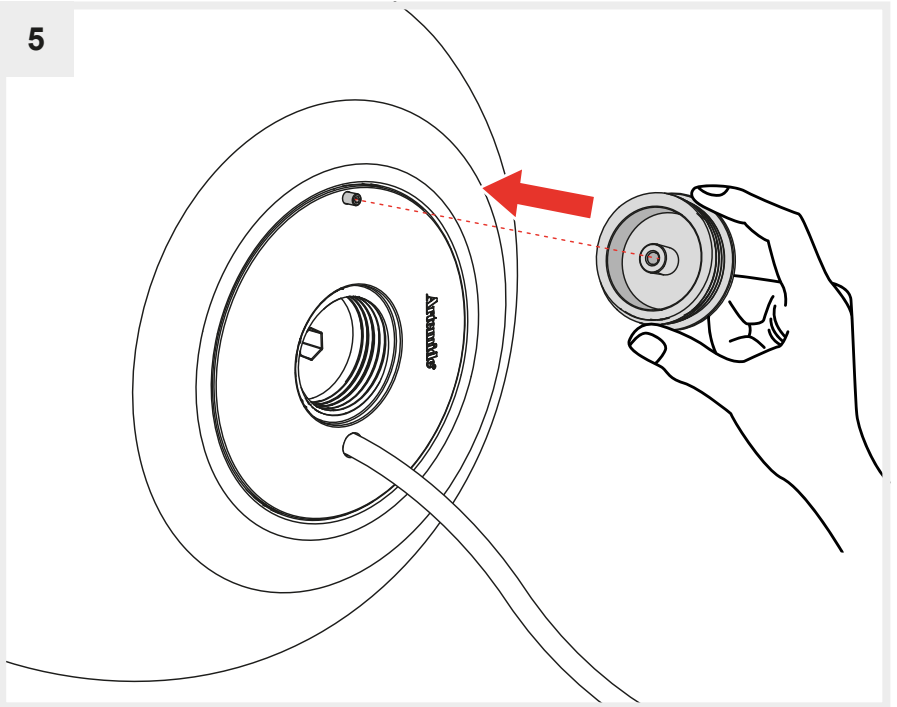
3



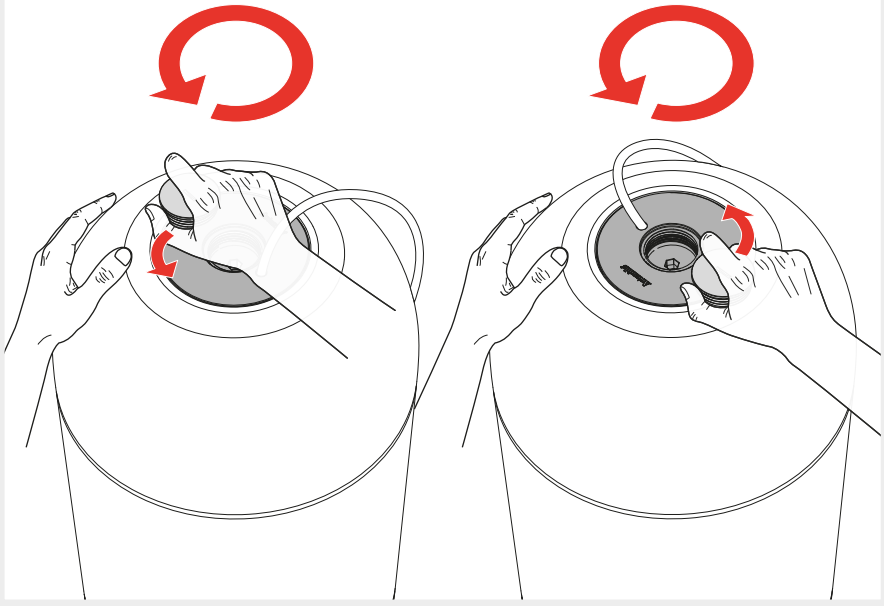
4



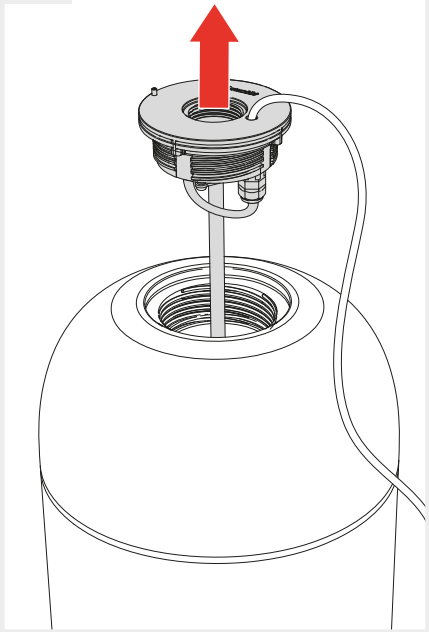
5



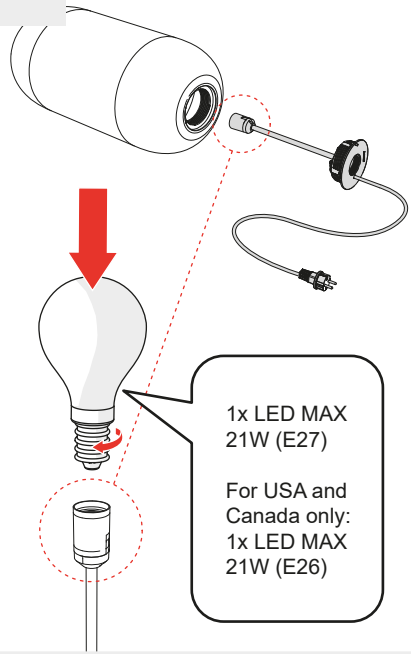
6



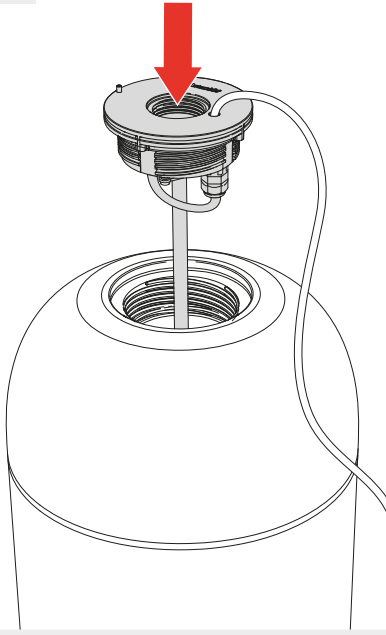
7



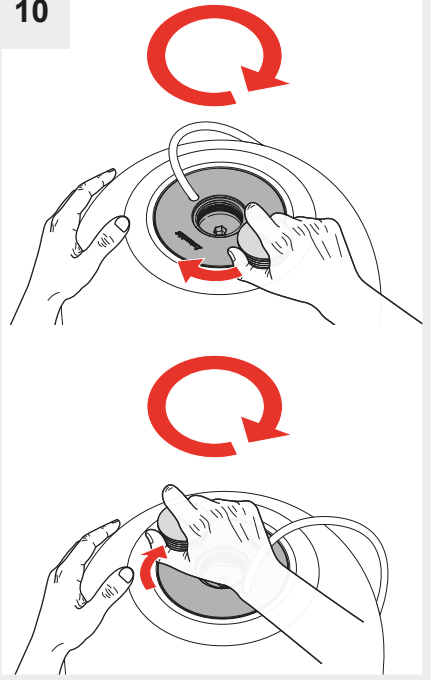
8



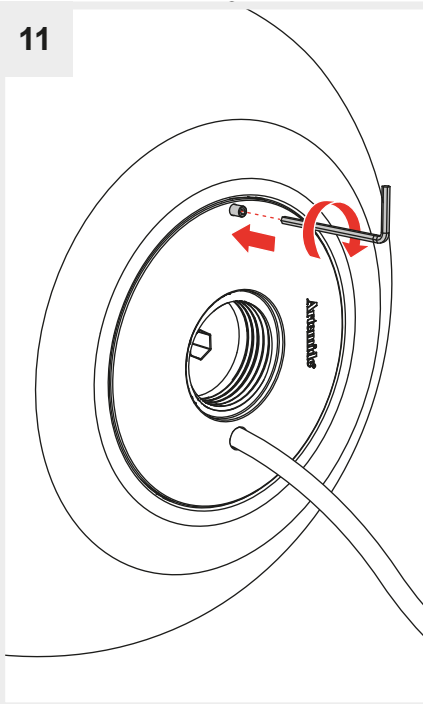
9



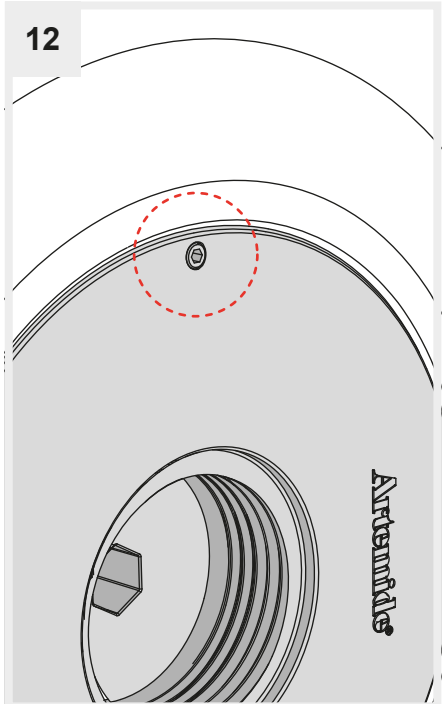
10



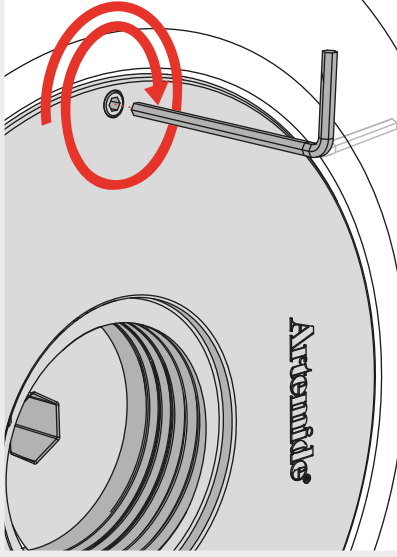
11



12



13



i

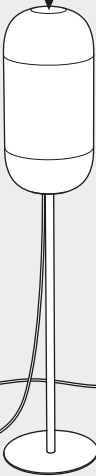


C

E



F



B

E



F

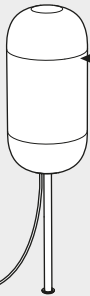


D

E



F

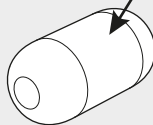


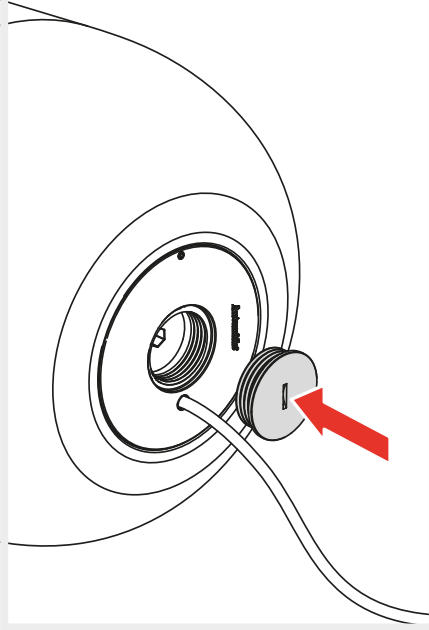
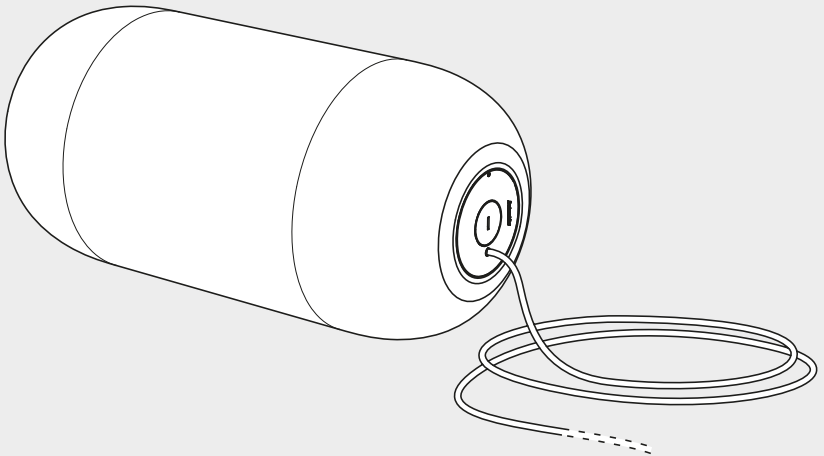
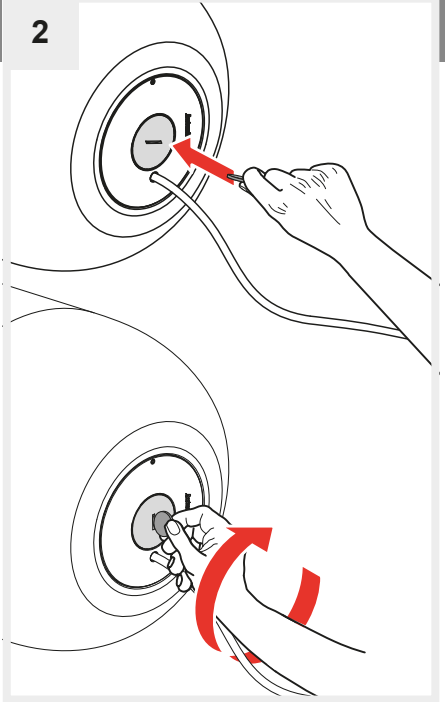
A

E

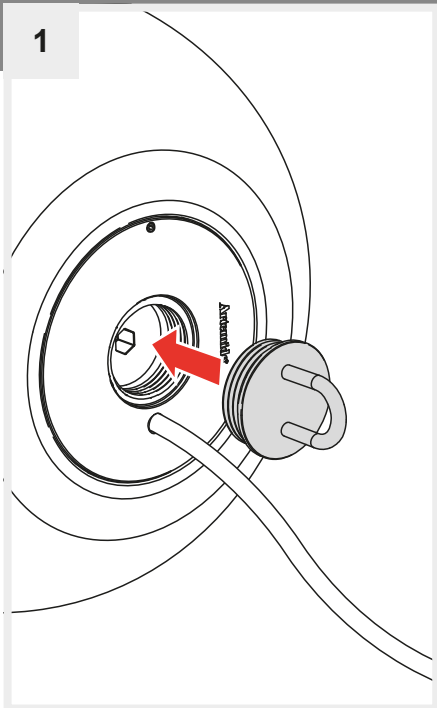


F

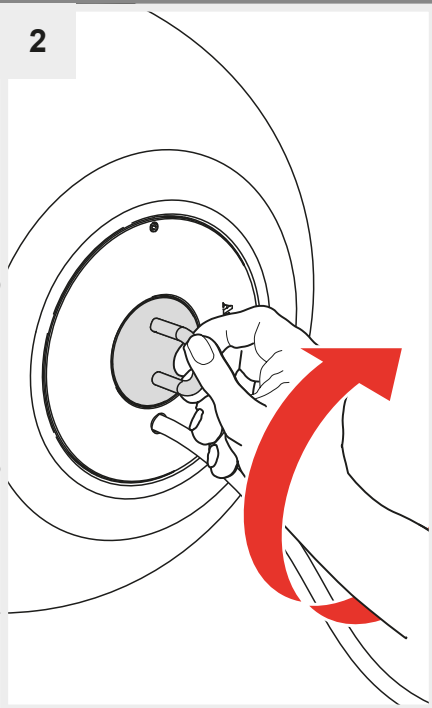


A**1****2**

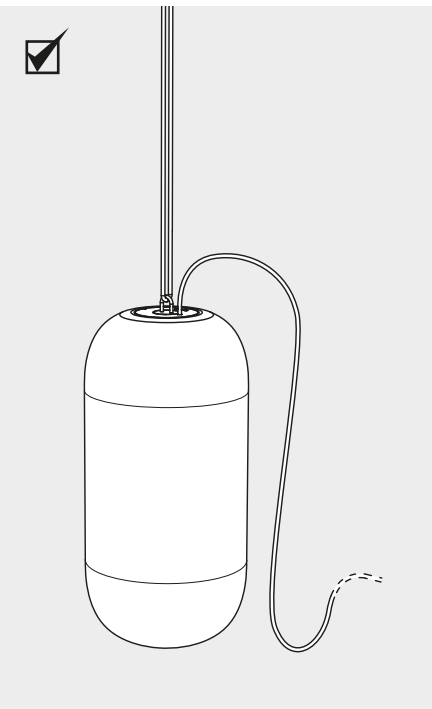
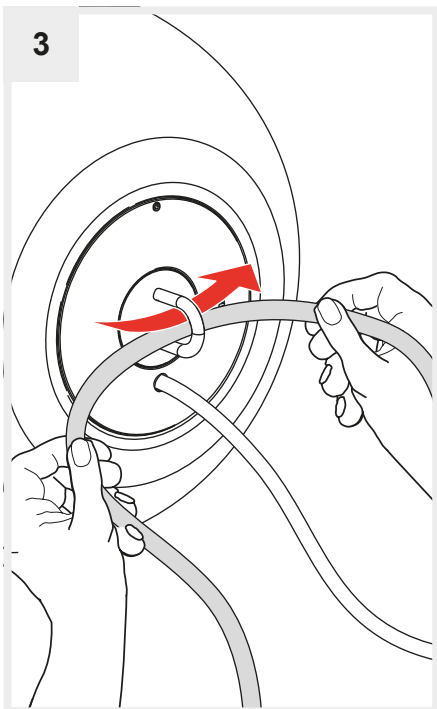
1



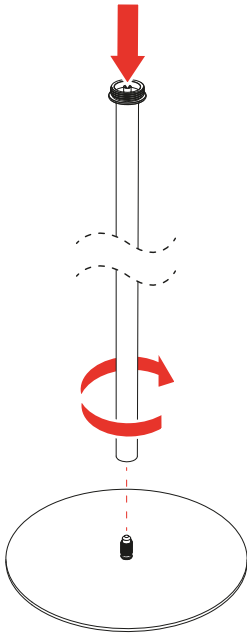
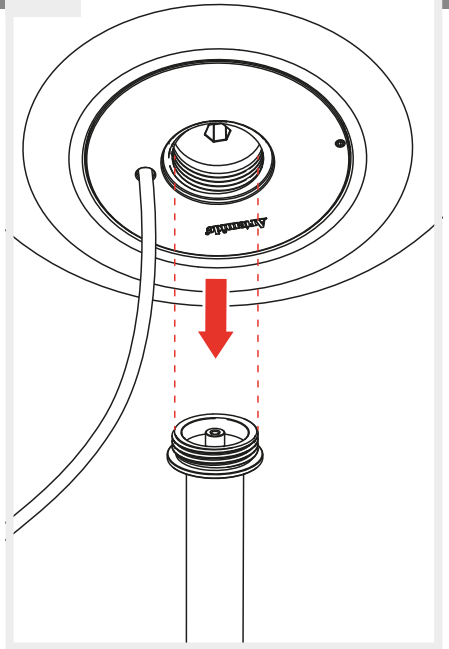
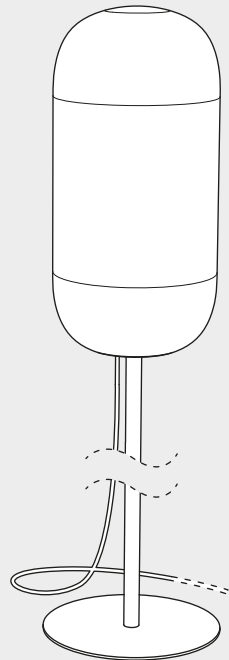
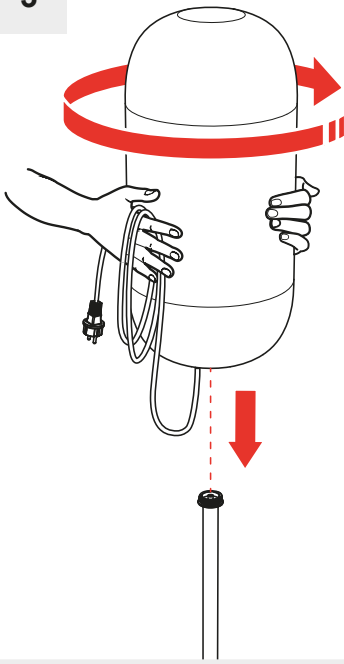
2



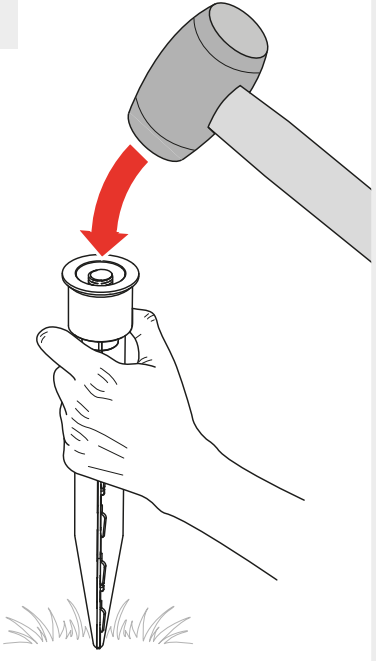
3



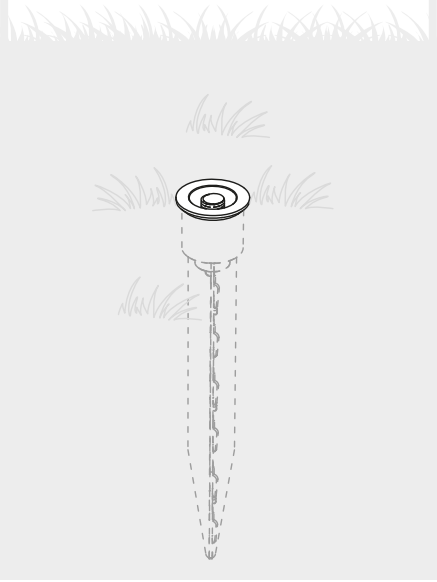
B

C**1****2****3**

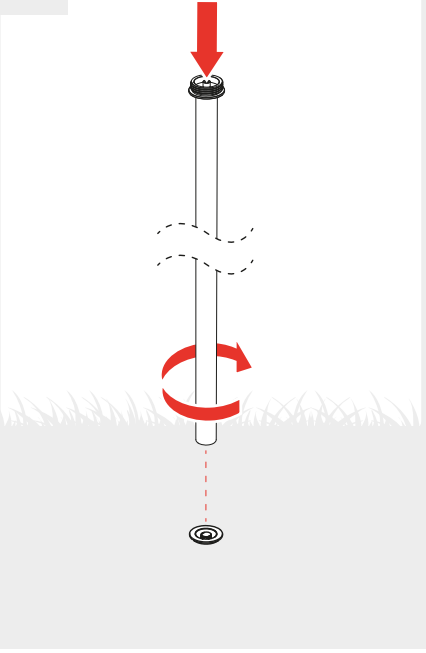
1



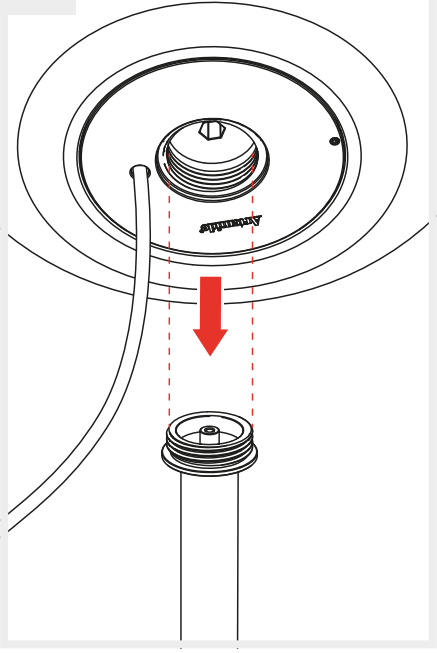
2



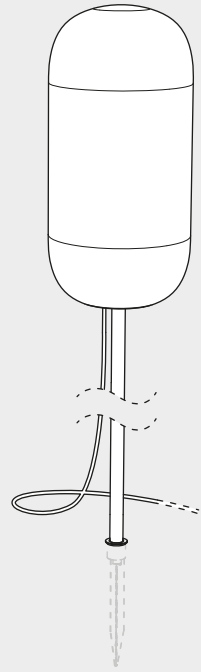
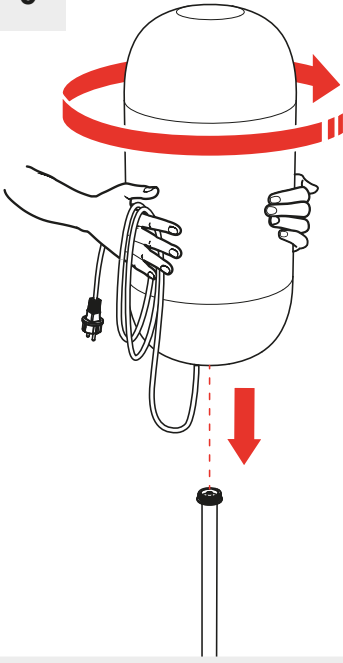
3



4



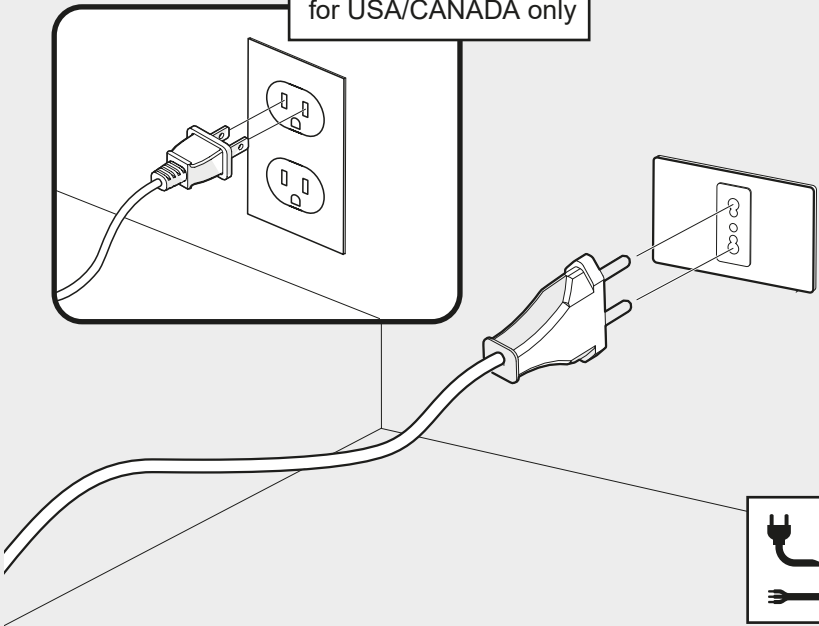
5



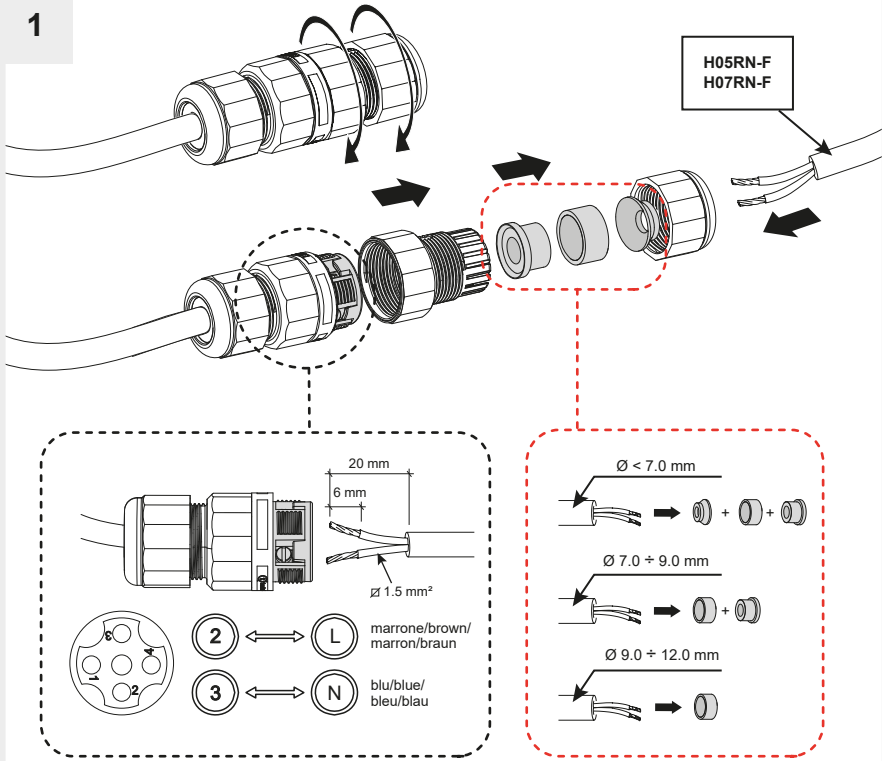
E

i

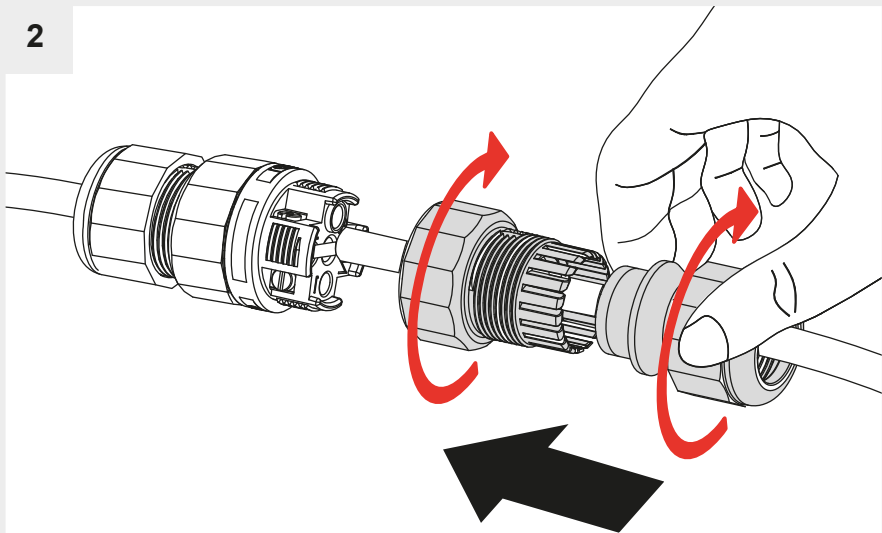
for USA/CANADA only



1

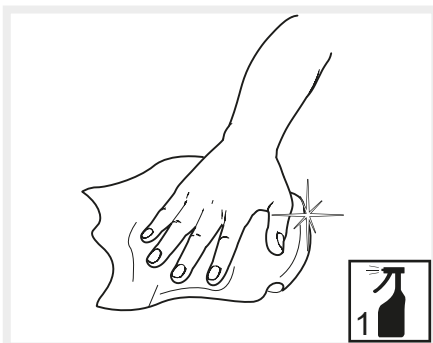
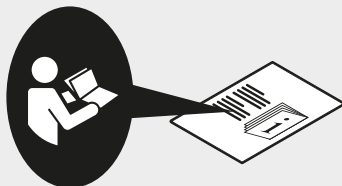
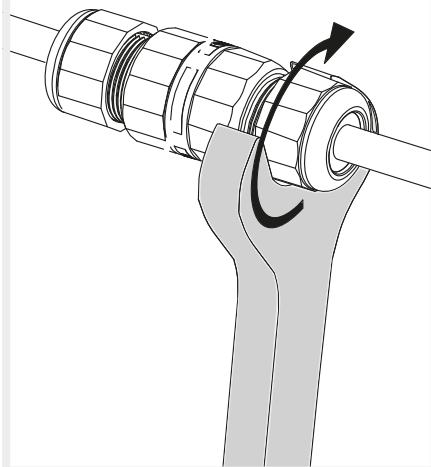


2

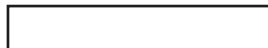




3



Artemide®



Artemide

via Bergamo, 18
20006 Pregnana M.se (MI)
ITALIA

tel. +39 02 935 181
fax +39 02 935 90 254
fax +39 02 935 90 496

www.artemide.com

VAT IT00846890150

cod. Y513001412B