

# A.24 - Ceiling Magnetic Track - Curved Joining Elements (not magnetic) - 750mm - 45° - Brushed Copper



IP20   

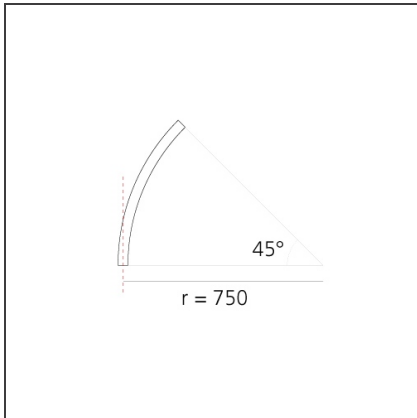
## DESIGN BY

Carlotta de Bevilacqua

## DESCRIPTION

A.24 is an open platform. A single intelligent profile generates three light performances while following the architecture with continuity, freedom and exibility. It is a fluid system that harbours a patented optoelectronic technology.

## TECHNICAL DRAWINGS



## FEATURES

<b>Article Code:</b>	AQ62018	<b>Series:</b>	Indoor, 2018
<b>Colour:</b>	Brushed Copper		Artemide Collection
<b>Installation:</b>	Recessed, Suspension, Ceiling		
<b>Environment:</b>	Indoor		

## DIMENSIONS

### Notes

Each linear, angle and curved elements are provided with mechanical and electrical joints and installation accessories. End caps have to be ordered separately. Bracket for fixing to ceiling is included: 1 for 1176mm lenght or 2 for 2352mm lenght.

**ACCESSORIES**



150W Ceiling power supply kit - 351x61x111H - 230VAC-48VDC IP20 - Undimmable - White AQ17901



150W Ceiling power supply kit - 351x61x111H - 230VAC-48VDC IP20 - Undimmable - Black AQ17904



240W Bare power supply + plug 230VAC-48VDC IP20 - Undimmable (for dimmable version to be combined with "DALI-Selv interface") AQ18000



150W Bare power supply + plug 230VAC-48VDC IP20 - Undimmable (for dimmable version to be combined with "DALI-Selv interface") AQ18100



240W Ceiling power supply kit - 321x91x111H - 230VAC-48VDC IP20 - Dimmable DALI - White AQ17201



240W Ceiling power supply kit - 321x91x111H - 230VAC-48VDC IP20 - Dimmable DALI - Black AQ17204



A.24 - Remote Box Power Supply Kit - 313x243x57,5h - (230VAC-48VDC 240W DALI) AQ16000



240W Recessed power supply kit - 396x195x112H - 230VAC-48VDC IP20 - DALI AQ16801



240W Recessed power supply kit - 396x195x112H - 230VAC-48VDC IP20 - Undimmable AQ17801



240W Ceiling power supply kit - 351x61x111H - 230VAC-48VDC IP20 - Undimmable - White AQ17301



240W Ceiling power supply kit - 351x61x111H - 230VAC-48VDC IP20 - Undimmable - Black AQ17304



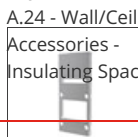
A.24 - Wall/Ceiling Accessories - Transition Cap - Black AQ39404



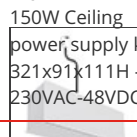
A.24 - Wall/Ceiling Accessories - End Cap (x2) - Brushed copper AQ39018



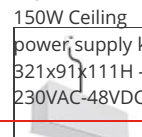
A.24 - Wall/Ceiling Accessories - Transition Cap - Brushed copper AQ39418



A.24 - Wall/Ceiling Accessories - Insulating Spacer (x1) - White



150W Ceiling power supply kit - 321x91x111H - 230VAC-48VDC IP20 - Dimmable



150W Ceiling power supply kit - 321x91x111H - 230VAC-48VDC IP20 - Dimmable

AQ39101



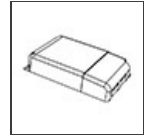
A.24 - Wall/Ceiling  
Accessories -  
Insulating Spacer  
(x1) - Black  
AQ39104

DALI - White  
AQ17701



A.24 - Wall/Ceiling  
Accessories - End  
Cap (x2) - White  
AQ39001

DALI - Black  
AQ17704



DALI to DALI-Selv  
Interface  
103x67x21H  
AQ18200



A.24 - Wall/Ceiling  
Accessories - End  
Cap (x2) - Black  
AQ39004



A.24 - Wall/Ceiling  
Accessories -  
Insulating Spacer  
(x1) - Brushed  
copper  
AQ39118



A.24 - Wall/Ceiling  
Accessories -  
Transition Cap -  
White  
AQ39401