

A.24 - Recessed Magnetic Track - Curved Joining Elements (not magnetic) - 750mm - 90° - White



IP20   

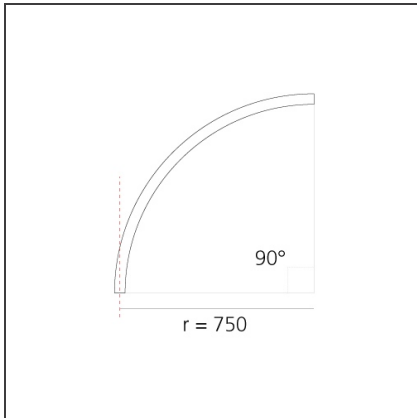
DESIGN BY

Carlotta de Bevilacqua

DESCRIPTION

A.24 is an open platform. A single intelligent profile generates three light performances while following the architecture with continuity, freedom and exibility. It is a fluid system that harbours a patented optoelectronic technology.

TECHNICAL DRAWINGS



FEATURES

Article Code:	AQ53001	Series:	Indoor, 2018
Colour:	White		Artemide Collection
Installation:	Recessed, Suspension, Ceiling		
Environment:	Indoor		

DIMENSIONS

Notes

Each linear, angle and curved elements are provided with mechanical and electrical joints and installation accessories. End caps have to be ordered separately.

ACCESSORIES



150W Ceiling power supply kit - 351x61x111H - 230VAC-48VDC IP20 - Undimmable - White AQ17901



150W Ceiling power supply kit - 351x61x111H - 230VAC-48VDC IP20 - Undimmable - Black AQ17904



240W Bare power supply + plug 230VAC-48VDC IP20 - Undimmable (for dimmable version to be combined with "DALI-Selv interface") AQ18000



150W Bare power supply + plug 230VAC-48VDC IP20 - Undimmable (for dimmable version to be combined with "DALI-Selv interface") AQ18100



240W Ceiling power supply kit - 321x91x111H - 230VAC-48VDC IP20 - Dimmable DALI - White AQ17201



240W Ceiling power supply kit - 321x91x111H - 230VAC-48VDC IP20 - Dimmable DALI - Black AQ17204



A.24 - Recessed Accessories - Transition Joint - White AQ29001



A.24 - Remote Box Power Supply Kit - 313x243x57,5h - (230VAC-48VDC 240W DALI) AQ16000



240W Recessed power supply kit - 396x195x112H - 230VAC-48VDC IP20 - DALI AQ16801



240W Recessed power supply kit - 396x195x112H - 230VAC-48VDC IP20 - Undimmable AQ17801



240W Ceiling power supply kit - 351x61x111H - 230VAC-48VDC IP20 - Undimmable - White AQ17301



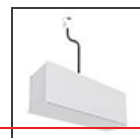
240W Ceiling power supply kit - 351x61x111H - 230VAC-48VDC IP20 - Undimmable - Black AQ17304



A.24 - Recessed Accessories - Insulating Spacer (x1) - White AQ15201



A.24 - Recessed Accessories - End Cap (x2) - White AQ15301

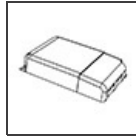


150W Ceiling power supply kit -

321x91x111H -
230VAC-48VDC
IP20 - Dimmable
DALI - White
AQ17701



150W Ceiling
power supply kit -
321x91x111H -
230VAC-48VDC
IP20 - Dimmable
DALI - Black
AQ17704



DALI to DALI-Selv
Interface
103x67x21H
AQ18200