

Callimaco LED 2700K



IP20   

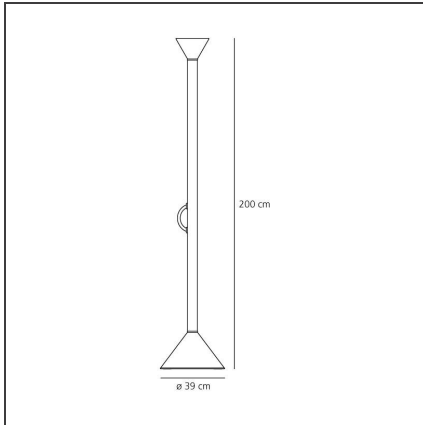
DESIGN BY

Ettore Sottsass

DESCRIPTION

Base and diffuser in painted steel, stem in painted aluminium, handle in polished chrome metal plate. Indirect light emission. Colour: multicolour.

TECHNICAL DRAWINGS



FEATURES

Article Code:	A0111W00	Material:	Aluminium, steel
Colour:	Multicolour	Series:	Design
Installation:	Floor	Area contract:	Residential
Environment:	Indoor	Emission:	Indirect

DIMENSIONS

Height:	cm 200	Glow Wire Test:	650
----------------	--------	------------------------	-----

INCLUDED SOURCES

Category:	LED	Color temperature (K):	2700K
Number:	1	Color Tolerance:	MacAdam 2SDCM
Watt:	36.36W	CRI:	90
Delivered lumens output (lm):	3646lm	Efficacy:	100lm/W
Type:	0	Service Life:	50000-L70
Class:	A		

LUMINAIRE

Watt:	43W	Delivered lumens output (lm):	3225lm
Voltage:	220V-240V	CCT:	2700K
		Efficiency:	92%
		Efficacy:	75lm/W
		CRI:	90

Notes

LED included, with dimmer.