

Discovery Vertical 100 - Black - TW - App Compatible



IP20 Dimmerable:

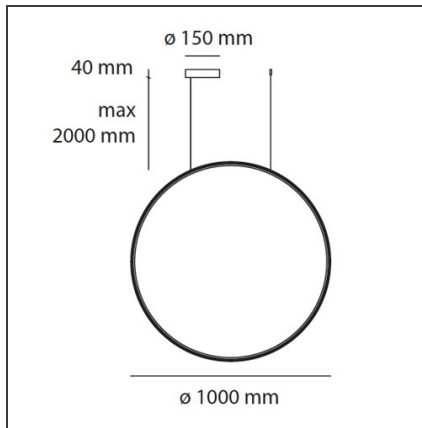
DESIGN BY

Ernesto Gismondi

DESCRIPTION

Discovery is an unobtrusive, utterly absent and immaterial element. Its volume is only perceived when switched on, thanks to the light that outlines the central emitting surface. The result is a uniform light, ideal for working environments. The company's great optoelectronic skills, combined with a thorough culture of design and with technological know-how, produces a perfectly all-purpose and surprising solution, which translates innovation into emotional perception.

TECHNICAL DRAWINGS



FEATURES

Article Code:	1993230APP	Material:	Technopolymer, aluminium
Colour:	Black	Series:	Design, 2019 Artemide Collection
Installation:	Suspension		
Environment:	Indoor		

DIMENSIONS

Base Width:	cm 4
Base Diameter:	cm 23.7
Max Height from ceiling:	cm 240

LUMINAIRE

Watt:	136W	Delivered lumens output (lm):	7171lm
		CCT:	2700-6500K
		Efficiency:	60%
		Efficacy:	53lm/W
		CRI:	90
		Dimmable Typology:	Push

Notes