

# Discovery Vertical 100 - Satinized aluminium - App Compatible



IP20 Dimmerable:

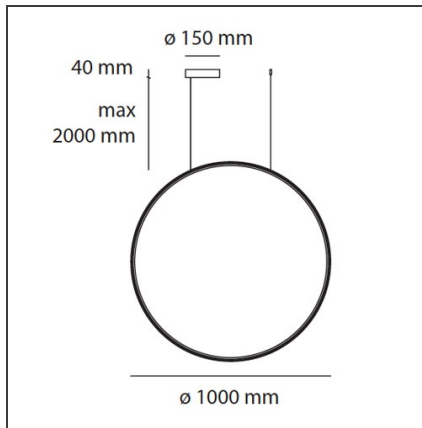
## DESIGN BY

Ernesto Gismondi

## DESCRIPTION

Discovery is an unobtrusive, utterly absent and immaterial element. Its volume is only perceived when switched on, thanks to the light that outlines the central emitting surface. The result is a uniform light, ideal for working environments. The company's great optoelectronic skills, combined with a thorough culture of design and with technological know-how, produces a perfectly all-purpose and surprising solution, which translates innovation into emotional perception.

## TECHNICAL DRAWINGS



## FEATURES

<b>Article Code:</b>	1993010APP	<b>Material:</b>	Technopolymer, aluminium
<b>Colour:</b>	Satinized aluminium	<b>Series:</b>	Design, 2019 Artemide Collection
<b>Installation:</b>	Suspension		
<b>Environment:</b>	Indoor		

## DIMENSIONS

<b>Base Width:</b>	cm 4
<b>Base Diameter:</b>	cm 23.7
<b>Max Height from ceiling:</b>	cm 240

## INCLUDED SOURCES

<b>Category:</b>	LED	<b>Color temperature (K):</b>	3000K
<b>Number:</b>	1	<b>CRI:</b>	90
<b>Watt:</b>	63W		
<b>Delivered lumens output (lm):</b>	3195lm		
<b>Type:</b>	0		
<b>Class:</b>	A		

## LUMINAIRE

<b>Watt:</b>	60W	<b>Delivered lumens output (lm):</b>	4859lm
		<b>CCT:</b>	3000K
		<b>Efficiency:</b>	62%
		<b>Efficacy:</b>	80.99lm/W
		<b>CRI:</b>	90
		<b>Dimmable Typology:</b>	Push

## Notes

Respects the UGR workplace standards in any position in which it is installed.