

Fiamma Suspension - Black



IP20  Dimmerable: 

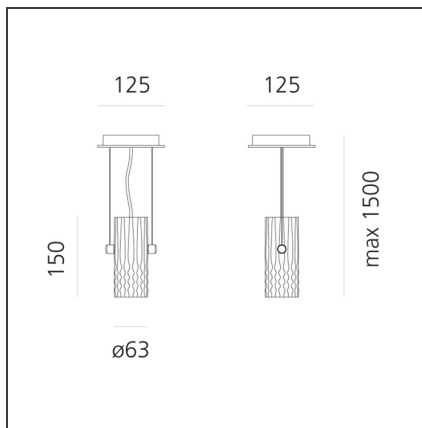
DESIGN BY

Wilmotte & Industries

DESCRIPTION

"Modular and adjustable, Fiamma works with a LED source base and a set of accessories to meet the different needs of lighting in hotels: bedside lamp, floor lamp, wall lamp, suspension light. The look is willing to be « domestic », to feel like being at home, in order to reinforce the cosiness of the object." Fiamma is a systemic lighting element designed to respond to the needs of the contract sector, yet well suited also for everyday living environments. An anodized aluminium cylinder with a specific texture – a perfect combination of look and functionality – is the true luminous engine of the system. The light emitted by the LED source is cleverly controlled by a transparent diffuser, designed with an anti-reflex texture, to ensure visual comfort in all usage conditions. Different supports can be assembled on it, all made of carefully processed aluminium, to obtain a variety of versions – suspension, ceiling, reading, table.

TECHNICAL DRAWINGS



FEATURES

| | | | |
|----------------------|------------|------------------|-----------|
| Article Code: | - - - | Material: | Aluminium |
| Colour: | Black | Series: | Scenarios |
| Installation: | Suspension | | |

DIMENSIONS

| | | | |
|---------------------------------|---------|----------------------|---------|
| Height: | cm 15 | Cutout shape: | Squared |
| Base Length: | cm 12.5 | | |
| Base Width: | cm 12.5 | | |
| Max Height from ceiling: | cm 150 | | |

SOURCES NOT INCLUDED

| | | | |
|------------------|------|-----------------|------|
| Category: | LED | Voltage: | 230V |
| Number: | 1 | | |
| Watt: | 8W | | |
| Type: | 2 | | |
| Socket: | GU10 | | |
| Class: | A | | |

LUMINAIRE

| | | | |
|--------------|----|--------------------------------------|-------|
| Watt: | 8W | Delivered lumens output (lm): | 390lm |
| | | Efficiency: | 95% |