

Fiamma Table - Grey



IP20  

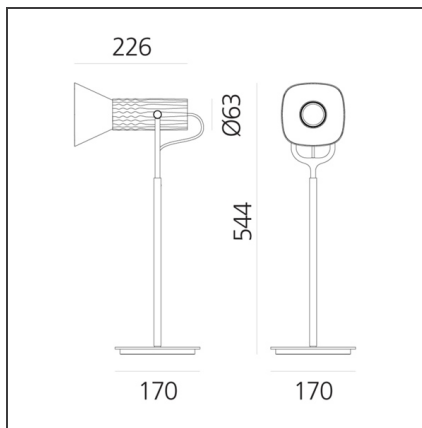
DESIGN BY

Wilmotte & Industries

DESCRIPTION

"Modular and adjustable, Fiamma works with a LED source base and a set of accessories to meet the different needs of lighting in hotels: bedside lamp, floor lamp, wall lamp, suspension light. The look is willing to be « domestic », to feel like being at home, in order to reinforce the cosiness of the object." Fiamma is a systemic lighting element designed to respond to the needs of the contract sector, yet well suited also for everyday living environments. An anodized aluminium cylinder with a specific texture – a perfect combination of look and functionality – is the true luminous engine of the system. The light emitted by the LED source is cleverly controlled by a transparent diffuser, designed with an anti-reflex texture, to ensure visual comfort in all usage conditions. Different supports can be assembled on it, all made of carefully processed aluminium, to obtain a variety of versions – suspension, ceiling, reading, table.

TECHNICAL DRAWINGS



FEATURES

Article Code:	- - -	Material:	Polycarbonate, aluminum, steel
Colour:	Grey	Series:	Scenarios
Installation:	Table		

DIMENSIONS

Length:	cm 12.8	Glow Wire Test:	850
Width:	cm 22.6		
Height:	cm 54.4		
Base Length:	cm 17		
Base Width:	cm 17		

SOURCES NOT INCLUDED

Category:	LED	Voltage:	230V
Number:	1		
Watt:	8W		
Type:	2		
Socket:	GU10		
Class:	A		

LUMINAIRE

Watt:	8W	Delivered lumens output (lm):	332lm
Voltage:	220-240V	CCT:	3000K
		Efficiency:	95%
		Efficacy:	67lm/W
		CRI:	80