

Gople Floor - Blue



IP20    

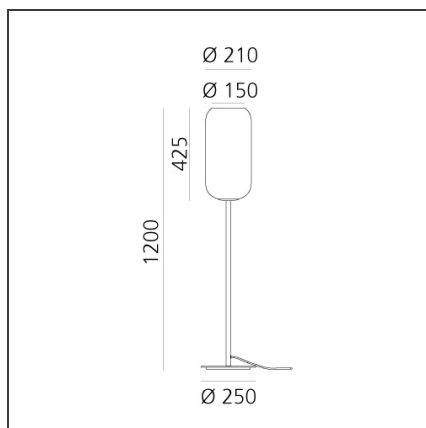
DESIGN BY

BIG - Bjarke Ingels Group

DESCRIPTION

The product is not yet available.

TECHNICAL DRAWINGS



FEATURES

Colour:	Blue	Material:	Blown glass, aluminium
Installation:	Suspension	Series:	Design, 2019 Artemide Collection
Environment:	Indoor		

DIMENSIONS

Height:	cm 120
Base Diameter:	cm 25

SOURCES NOT INCLUDED

Category:	LED
Number:	1
Watt:	20W
Type:	2
Socket:	E27

LUMINAIRE

Watt:	20W	CCT:	3000K
		CRI:	80