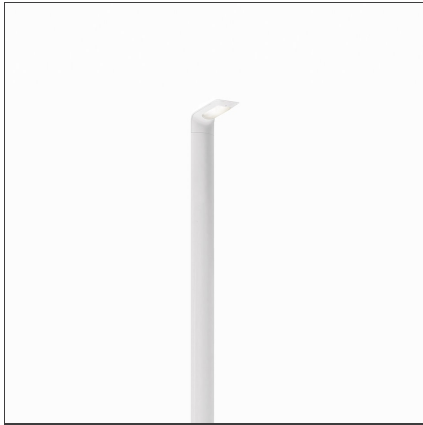


# Hila Pole 350 4000K Anthracite gray



IP65  

## DESIGN BY

Carlo Colombo

## DESCRIPTION

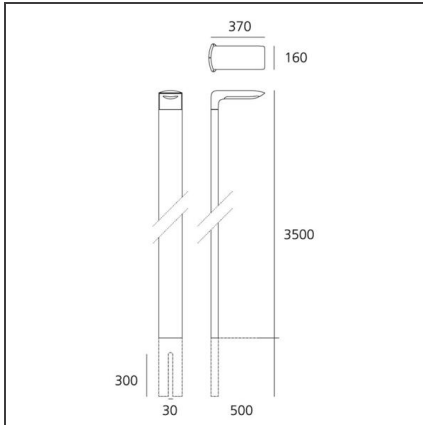
Composed by lamp and ground support pole.

Lamp unit is die-cast EN-AB 47100 aluminium.

UV resistant diffuser in shock resistant polycarbonate with satiny finish.

Support pole h=350cm above ground +50cm underground in extruded EN-AW 6060 aluminium, chromate treated and painted.

## TECHNICAL DRAWINGS



## FEATURES

|                      |                            |                  |                         |
|----------------------|----------------------------|------------------|-------------------------|
| <b>Article Code:</b> | T085920                    | <b>Material:</b> | Aluminum, polycarbonate |
| <b>Colour:</b>       | Gray/white                 | <b>Series:</b>   | Scenarios               |
| <b>Installation:</b> | Bollard, Pole, Floor, Wall | <b>Emission:</b> | Direct                  |
| <b>Environment:</b>  | Outdoor                    |                  |                         |

## DIMENSIONS

|                |        |                           |      |
|----------------|--------|---------------------------|------|
| <b>Length:</b> | cm 37  | <b>Impact Resistance:</b> | IK10 |
| <b>Width:</b>  | cm 16  | <b>Glow Wire Test:</b>    | 650  |
| <b>Height:</b> | cm 350 |                           |      |
| <b>Depth:</b>  | cm 30  |                           |      |

## INCLUDED SOURCES

|                  |     |                               |       |
|------------------|-----|-------------------------------|-------|
| <b>Category:</b> | LED | <b>Color temperature (K):</b> | 4000K |
| <b>Number:</b>   | 1   | <b>CRI:</b>                   | 80    |
| <b>Watt:</b>     | 24W |                               |       |
| <b>Type:</b>     | 0   |                               |       |
| <b>Class:</b>    | A   |                               |       |

## LUMINAIRE

|                 |           |                                      |           |
|-----------------|-----------|--------------------------------------|-----------|
| <b>Watt:</b>    | 24W       | <b>Delivered lumens output (lm):</b> | 1311lm    |
| <b>Voltage:</b> | 220V-240V | <b>CCT:</b>                          | 4000K     |
|                 |           | <b>Efficiency:</b>                   | 100%      |
|                 |           | <b>Efficacy:</b>                     | 54.62lm/W |
|                 |           | <b>CRI:</b>                          | 80        |

## Notes

Underground pole included.  
Effective power 24W.

**LIGHT DISTRIBUTION**

