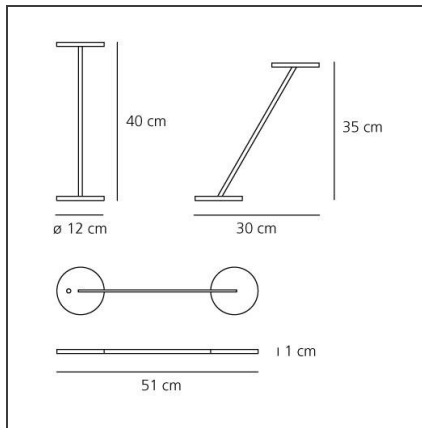


Itis Black



IP20    Dimmerable: 

TECHNICAL DRAWINGS



DESIGN BY

Naoto Fukasawa

DESCRIPTION

Base in zama verniciata; stelo in metallo verniciato; testa in metallo verniciato e policarbonato; diffusore in policarbonato trasparente satinato. Specificità: due snodi collegano lo stelo rispettivamente alla base e alla testa consentendo l'inclinazione dello stelo da 0° a 90° e l'orientamento della testa di 180°.

FEATURES

Article Code:	1438050A	Material:	Metal, polycarbonate, zamak
Colour:	Black	Series:	Design
Installation:	Table	Area contract:	Hospitality, Residential
Environment:	Indoor	Emission:	Diffused And Direct

DIMENSIONS

Length:	cm 51	Impact Resistance:	N/D
Width:	cm 3	Glow Wire Test:	N/D
Height:	cm 40		
Inclination:	cm 90		
Rotation:	cm 18		

INCLUDED SOURCES

Category:	LED	Color Rendering:	N/s
Number:	1	Color temperature (K):	3000K
Watt:	5,4W		
Delivered lumens output (lm):	220lm		
Type:	0		

LUMINAIRE

Trasformer availability:	Remote	Delivered lumens output (lm):	220lm
Watt:	5W	CCT:	3000K
Voltage:	12V		