

Look at Me 21



IP20 

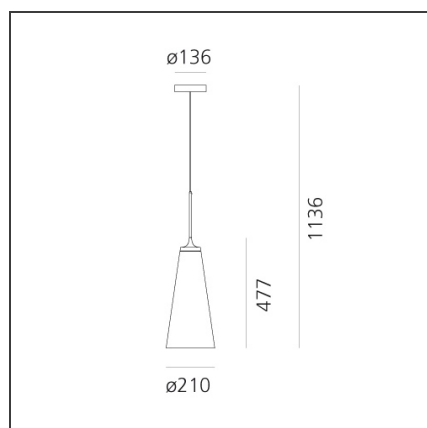
DESIGN BY

Alida Catella, Silvio De Ponte

DESCRIPTION

The product is not yet available.

TECHNICAL DRAWINGS



FEATURES

Colour:	Transparent black	Series:	Design, 2019
Installation:	Suspension, Track		Artemide Collection
Environment:	Indoor		

DIMENSIONS

Height:	cm 47.7
Base Diameter:	cm 13.6
Max Height from ceiling:	cm 113.6

LUMINAIRE

Watt:	18W	Delivered lumens output (lm):	1200lm
		CCT:	3000K
		Efficiency:	60%
		Efficacy:	66lm/W
		CRI:	90