

Meteorite 15 Table Stem (E14)



IP20   

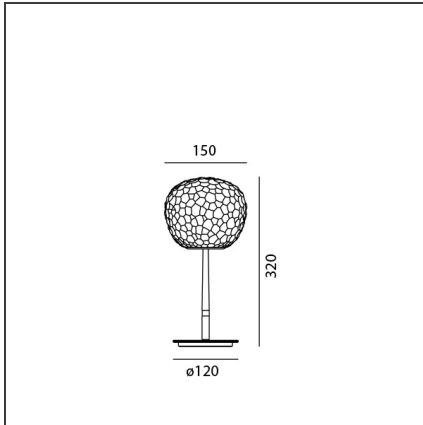
DESIGN BY

Pio & Tito Toso

DESCRIPTION

A family of lamps available in five different versions: table, table with stem, floor, wall/ceiling and suspension. Materials: blown glass diffuser; lamp body in technopolymer. Meteorite Stem Table 15 and 35 feature respectively a chromed aluminium and a steel stem. Specification: the diffuser is made of a double layer of artistic glass, obtained through a 'stamp a fermo' mould-blowing technique and then grinding.

TECHNICAL DRAWINGS



FEATURES

Article Code:	1709110A	Material:	blown glass, technopolymer,
Colour:	white		aluminum, steel
Installation:	Table	Series:	Design

DIMENSIONS

Height:	cm 32	Glow Wire Test:	N/D
Base Diameter:	cm 12		

SOURCES NOT INCLUDED

Category:	LED
Number:	1
Watt:	4W
Type:	2
Socket:	E14

LUMINAIRE

Watt:	4W	Delivered lumens output (lm):	134lm
Voltage:	220V - 240V	CCT:	2700K
		Efficiency:	54%
		Efficacy:	33.49lm/W
		CRI:	80