

"O" Floor - Indoor



IP67 

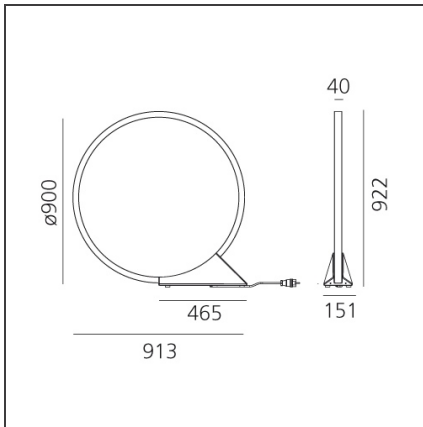
DESIGN BY

ELEMENTAL

DESCRIPTION

"O" is an essential element that, when switched on, frames nature and suggests perspectives, an unobtrusive object in space that does not alter environmental balances. Its controlled and comfortable light emission can be adjusted with sensors and with the Artemide App to ensure focused operation, thus preventing waste and respecting the circadian cycles of all animal and plant species. Introduced in 2018 in the ground and suspended outdoor versions, it is a perfect lighting appliance also for indoor use thanks to a cabled option that allows easy relocation. In this case too, the IP protection grade is anyway fit for outdoor use. Its lightness is not just formal: its thin aluminium profile is an element on its own, which can be moved wherever necessary, allows multiple uses, and creates a pleasant ambiance anywhere with its soft, non-glaring light. "O" is developed in the original 90-cm diameter version, as well as in a smaller, 45-cm version featuring all the characteristics of the original one. All the versions come with both a white and a black finish to match all possible spaces. "O" is thus a comprehensive family of elements creating dynamic lightscapes.

TECHNICAL DRAWINGS



FEATURES

Article Code:	T073030	Material:	<p>Aluminium, silicone</p>
Colour:	Black	Series:	Design
Installation:	Floor		
Environment:	Indoor		

DIMENSIONS

Length:	cm 91.3
Height:	cm 92.2
Base Length:	cm 46.5
Base Width:	cm 15.1

INCLUDED SOURCES

Category:	LED	Color temperature (K):	2700K
Number:	1	CRI:	90
Watt:	30W		
Type:	0		

LUMINAIRE

Watt:	42W	Delivered lumens output (lm):	1595lm
		CCT:	2700K
		CRI:	90

Notes

Plug IP44